



US00D799784S

(12) **United States Design Patent**
Spears et al.

(10) **Patent No.:** **US D799,784 S**
(45) **Date of Patent:** **** Oct. 10, 2017**

- (54) **INDOOR PARCEL LOCKERS**
- (71) Applicant: **United States Postal Service**,
Washington, DC (US)
- (72) Inventors: **Michael LeRoy Spears**, Chantilly, VA
(US); **Joel L. Dewnandan**, Bladenburg,
MD (US); **Donald Eugene Irwin**,
Fredericksburg, VA (US); **Joram**
Shenhar, Fairfax, VA (US); **William**
Albert Tartal, Baltimore, MD (US)
- (73) Assignee: **UNITED STATES POSTAL**
SERVICE, Washington, DC (US)

1,642,533 A * 9/1927 Beer A47G 29/1201
232/25

2,480,288 A 8/1949 Donadio
2,563,094 A 8/1951 Becker
D180,171 S * 4/1957 Band D6/671
2,803,512 A 8/1957 Band
D205,951 S * 10/1966 Band D6/671
D210,257 S * 2/1968 Favaro D99/33
D225,922 S 1/1973 Rosenberg
3,784,089 A * 1/1974 Koch A47G 29/1201
232/24

3,790,244 A 2/1974 Stackhouse
D248,138 S 6/1978 Stackhouse et al.
4,121,758 A 10/1978 Bonner
4,161,274 A 7/1979 Bishop et al.
D293,863 S 1/1988 Chester

(Continued)

(**) Term: **15 Years**

(21) Appl. No.: **29/588,576**

(22) Filed: **Dec. 21, 2016**

Related U.S. Application Data

- (62) Division of application No. 29/539,926, filed on Sep. 18, 2015, now Pat. No. Des. 789,022.
- (51) **LOC (10) Cl.** **99-00**
- (52) **U.S. Cl.**
USPC **D99/29**
- (58) **Field of Classification Search**
USPC D99/28, 29, 30, 31, 32, 33, 99
CPC A47G 29/12; A47G 29/1201; A47G
29/1203; A47G 29/1207; A47G 29/1209;
A47G 29/1216; A47G 29/1218; A47G
29/14; A47G 29/141; A47G 29/142;
A47G 29/148; A47G 29/16
See application file for complete search history.

(56) **References Cited**

U.S. PATENT DOCUMENTS

1,222,964 A 4/1917 Matchette
1,362,949 A 12/1920 Lillard

OTHER PUBLICATIONS

PTO Restriction Requirement dated Nov. 9, 2016, Design U.S. Appl. No. 29/539,926, pp. 1-16.

(Continued)

Primary Examiner — Elizabeth J Oswecki

(74) *Attorney, Agent, or Firm* — MH2 Technology Law Group, LLP

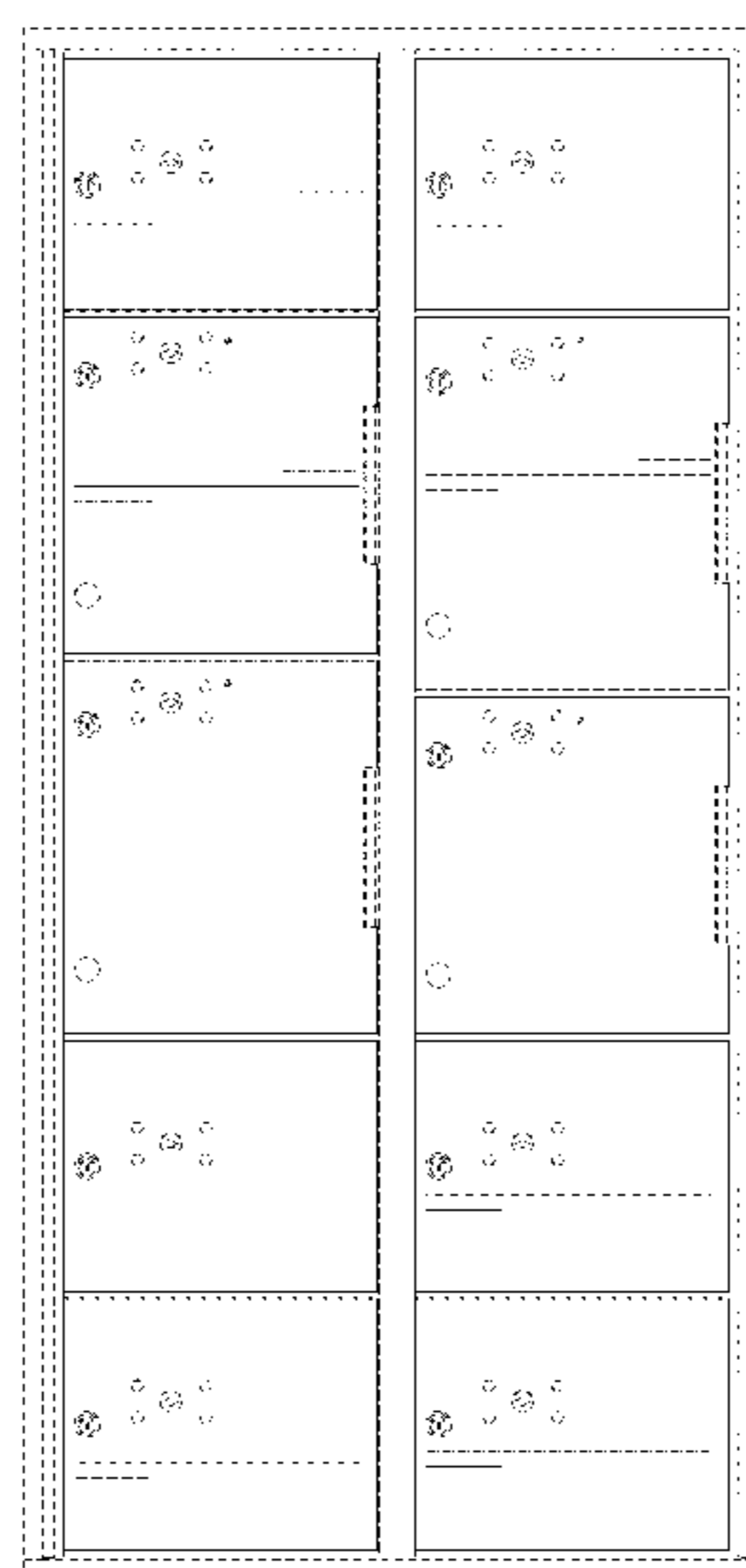
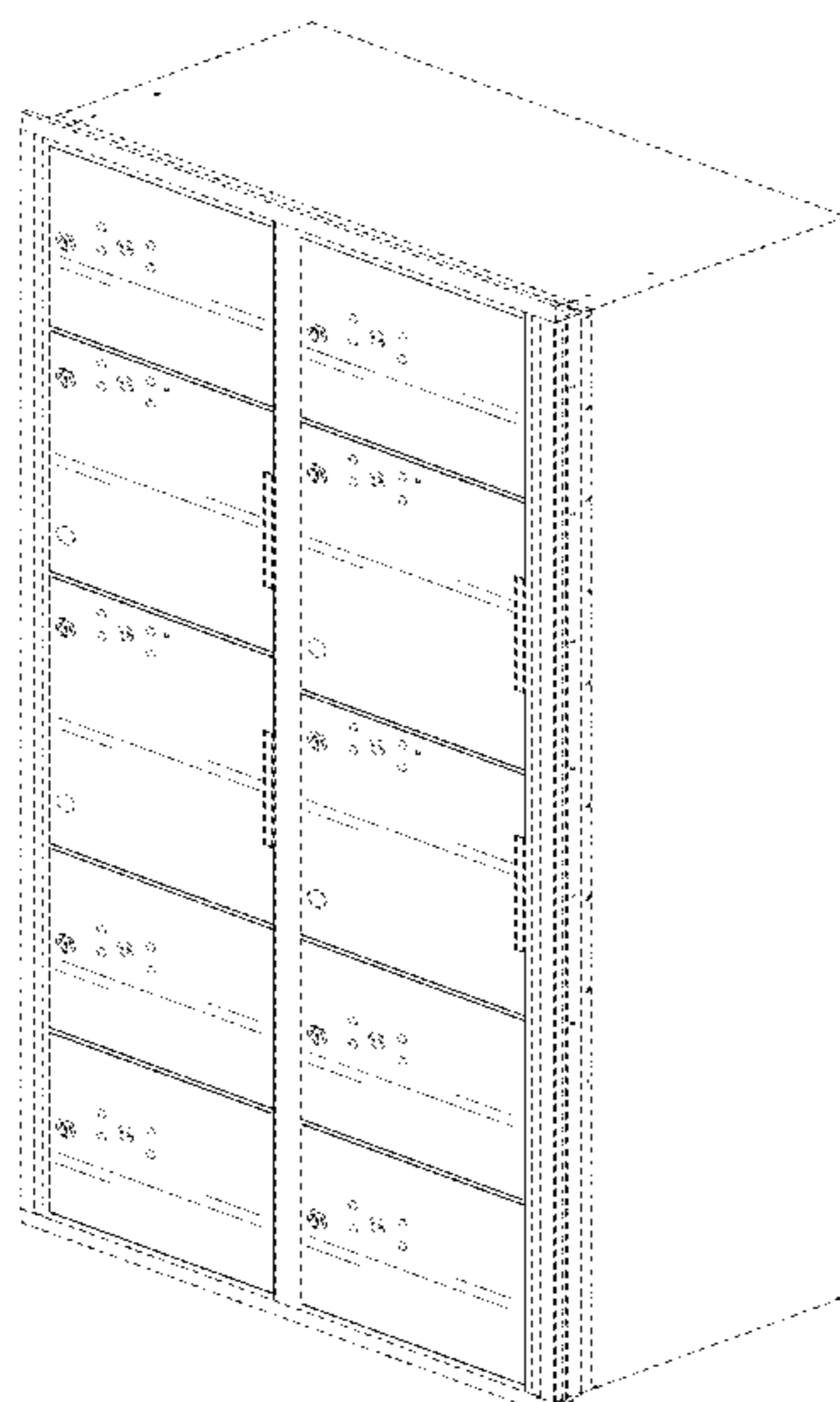
(57) **CLAIM**

The ornamental design for an indoor parcel lockers, as shown and described.

DESCRIPTION

FIG. 1 is a front perspective view of an indoor parcel locker, showing our new design; and, FIG. 2 is a front elevation view thereof. The undisclosed rear views of the indoor parcel locker shown in FIGS. 1 and 2 are not part of the claimed design. The broken lines in the drawings depict unclaimed subject matter and form no part of the design.

1 Claim, 2 Drawing Sheets



(56)

References Cited

U.S. PATENT DOCUMENTS

D326,757 S 6/1992 Ullman
 5,172,970 A 12/1992 Momose et al.
 5,223,829 A * 6/1993 Watabe A47G 29/141
 235/382.5
 D361,446 S * 8/1995 Acard D6/671
 D366,576 S * 1/1996 Stacy D6/664
 5,520,450 A * 5/1996 Colson, Jr. E05B 47/023
 312/215
 5,794,844 A * 8/1998 Jenkins A47G 29/1201
 232/25
 5,820,018 A 10/1998 Stacy
 5,820,019 A 10/1998 Spitale
 6,003,761 A 12/1999 Chapman
 D419,747 S 1/2000 Noblet et al.
 6,247,641 B1 6/2001 Noblet et al.
 6,296,181 B1 10/2001 Noblet et al.
 6,578,323 B1 * 6/2003 Zartman E04H 13/006
 27/1
 6,685,284 B2 * 2/2004 Hara A47G 29/141
 312/215
 6,749,109 B2 6/2004 Hill
 6,806,807 B2 * 10/2004 Cayne G07C 9/00087
 340/5.52
 6,889,894 B2 5/2005 Yong
 D528,734 S 9/2006 Phelps et al.
 D549,424 S 8/2007 Mikolajczyk et al.

7,360,681 B2 * 4/2008 Pittman A47G 29/1201
 16/254
 7,604,158 B1 10/2009 Bond
 D640,445 S 6/2011 Stevens
 8,246,124 B2 8/2012 Mackillop
 9,051,752 B1 6/2015 Muthusami
 D745,765 S 12/2015 Mikolajczyk et al.
 9,322,207 B2 4/2016 Savage et al.
 D785,274 S * 4/2017 Mikolajczyk D99/29
 9,663,974 B2 * 5/2017 Savage E05B 65/025
 D789,022 S * 6/2017 Spears D99/29
 D789,649 S * 6/2017 Spears D99/28
 2006/0101874 A1 5/2006 Mikolajczyk et al.
 2006/0152339 A1 * 7/2006 Mercier G07G 1/0054
 340/5.73
 2006/0255116 A1 * 11/2006 Yong A47G 29/1201
 232/24
 2008/0223091 A1 9/2008 Kroening et al.
 2009/0282752 A1 * 11/2009 Stilnovich E04H 13/006
 52/133
 2010/0026147 A1 * 2/2010 Mackillop A47G 29/1201
 312/215
 2013/0193818 A1 * 8/2013 Sturm A62C 2/242
 312/222

OTHER PUBLICATIONS

PTO Notice of Allowance dated Jan. 25, 2017, Design U.S. Appl. No. 29/539,926, pp. 1-22.

* cited by examiner

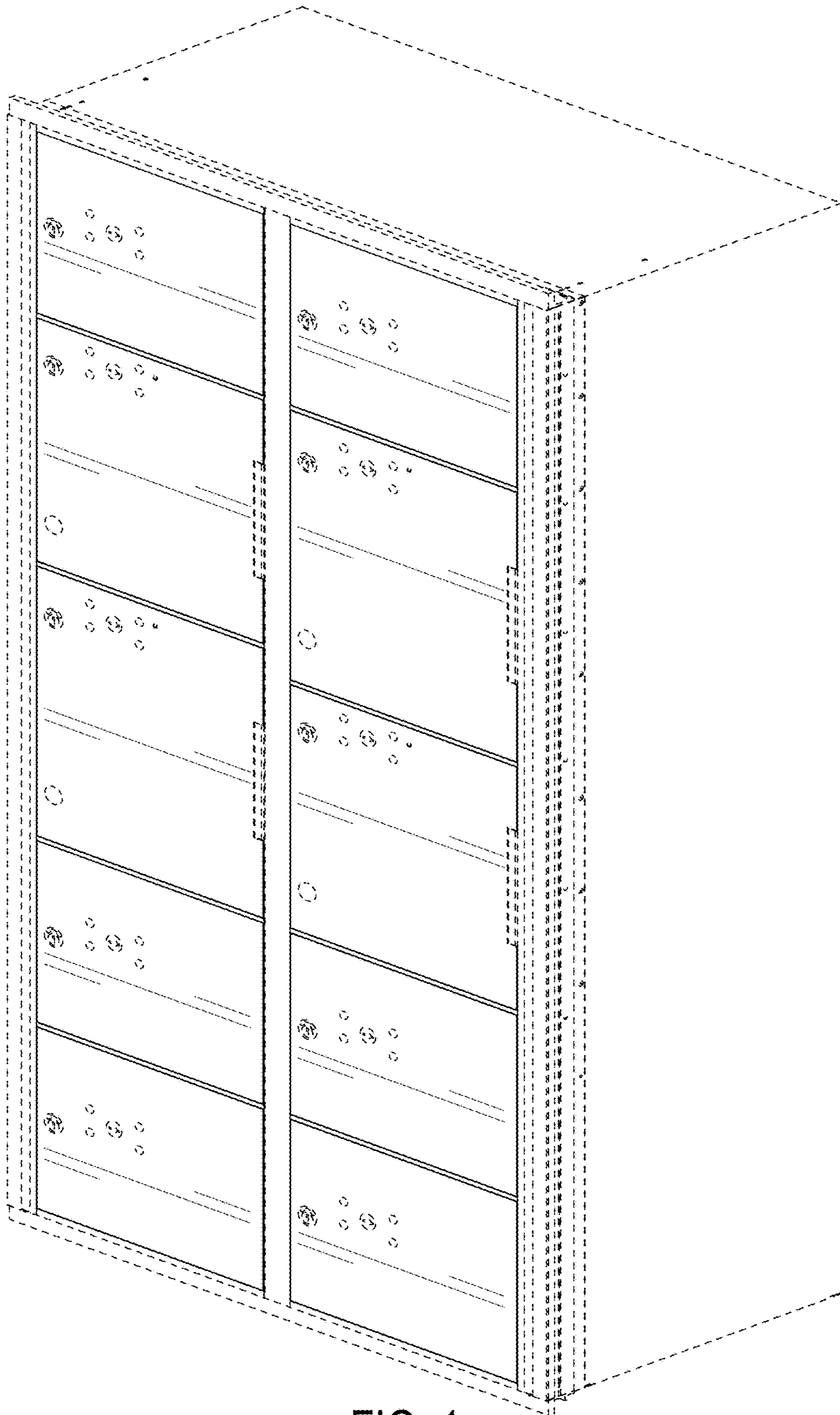


FIG. 1

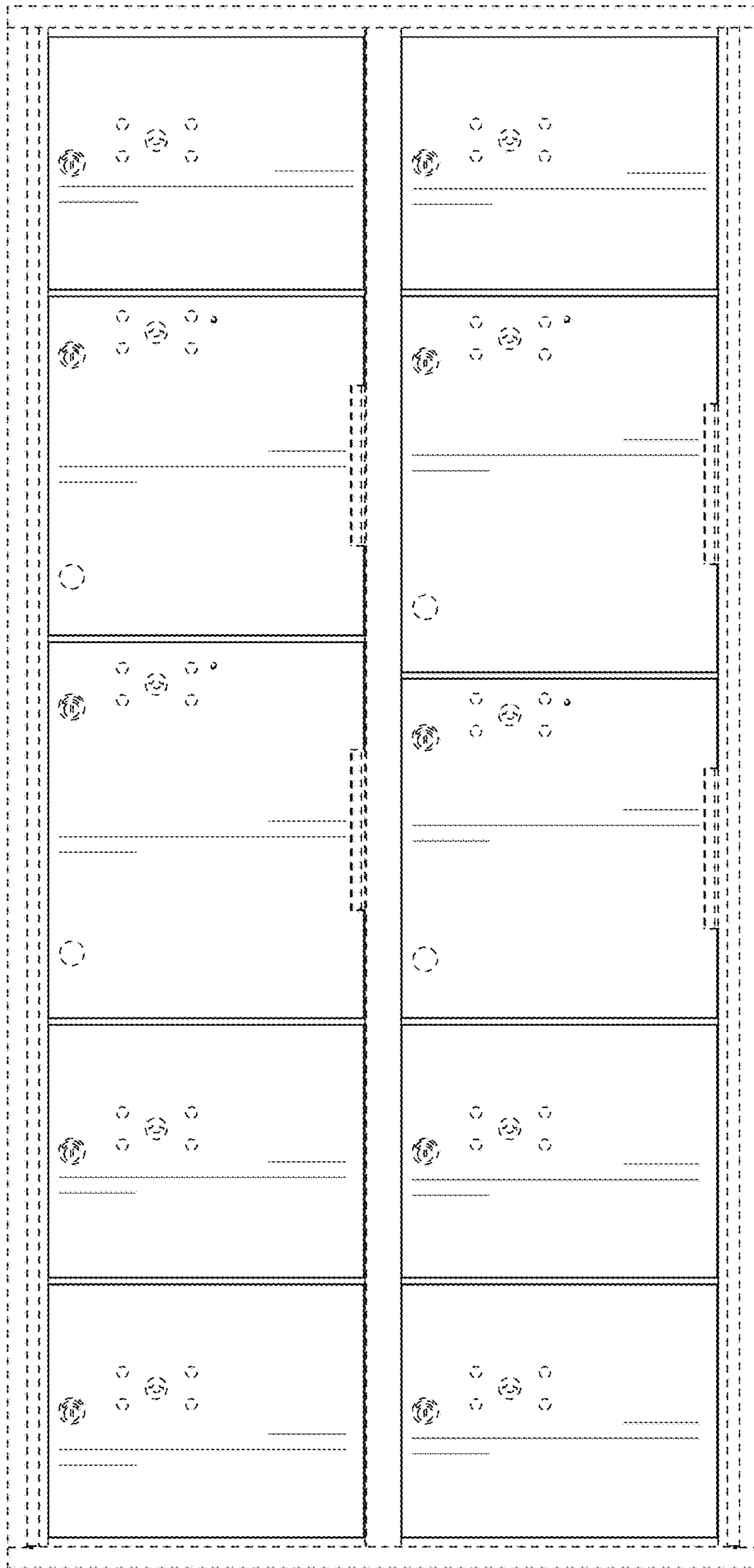


FIG. 2