



US00D799779S

(12) **United States Design Patent** (10) **Patent No.:** **US D799,779 S**  
**Aho** (45) **Date of Patent:** **\*\* Oct. 10, 2017**

(54) **WINCH HOUSING**  
(71) Applicant: **Engo Industries, LLC**, Vancouver, WA (US)  
(72) Inventor: **Drew V. Aho**, Vancouver, WA (US)  
(73) Assignee: **Engo Industries, LLC**, Vancouver, WA (US)  
(\*\*) Term: **15 Years**  
(21) Appl. No.: **29/580,439**  
(22) Filed: **Oct. 10, 2016**

6,601,828 B2 8/2003 Strbuncelj  
6,604,731 B2 8/2003 Hodge  
D489,157 S 4/2004 Lawson  
6,864,650 B2 3/2005 Heravi  
D532,577 S 11/2006 Elliott  
D550,720 S 9/2007 Geisler  
D550,924 S 9/2007 Huang  
D555,874 S 11/2007 Elliott et al.  
D597,105 S 7/2009 Geisler et al.  
D599,524 S 9/2009 Averill  
7,891,641 B1 2/2011 Miller  
D703,414 S 4/2014 Fretz et al.  
9,014,913 B2 4/2015 Heravi et al.  
D744,189 S 11/2015 Fretz  
D771,897 S \* 11/2016 Aho ..... D34/33  
2008/0116431 A1 5/2008 Elliott et al.  
2009/0134372 A1 5/2009 Giacomini et al.  
2013/0334479 A1 12/2013 Yoder  
2014/0001427 A1 1/2014 Fretz

**Related U.S. Application Data**

(63) Continuation of application No. 29/528,778, filed on Jun. 1, 2015, now Pat. No. Des. 771,897.  
(51) **LOC (10) Cl.** ..... **12-05**  
(52) **U.S. Cl.**  
USPC ..... **D34/33; D34/35**  
(58) **Field of Classification Search**  
USPC ..... D34/33, 28, 35; 254/362, 356, 372, 380, 254/901, 382, 374, 316; D15/7-9  
CPC ... B66D 1/12; B66D 1/14; B66D 1/00; B66D 1/38; B66D 1/30; B66D 1/34  
See application file for complete search history.

*Primary Examiner* — Cynthia Ramirez  
(74) *Attorney, Agent, or Firm* — Luedeka Neely Group PC

(57) **CLAIM**

The ornamental design of a winch housing, as shown and described.

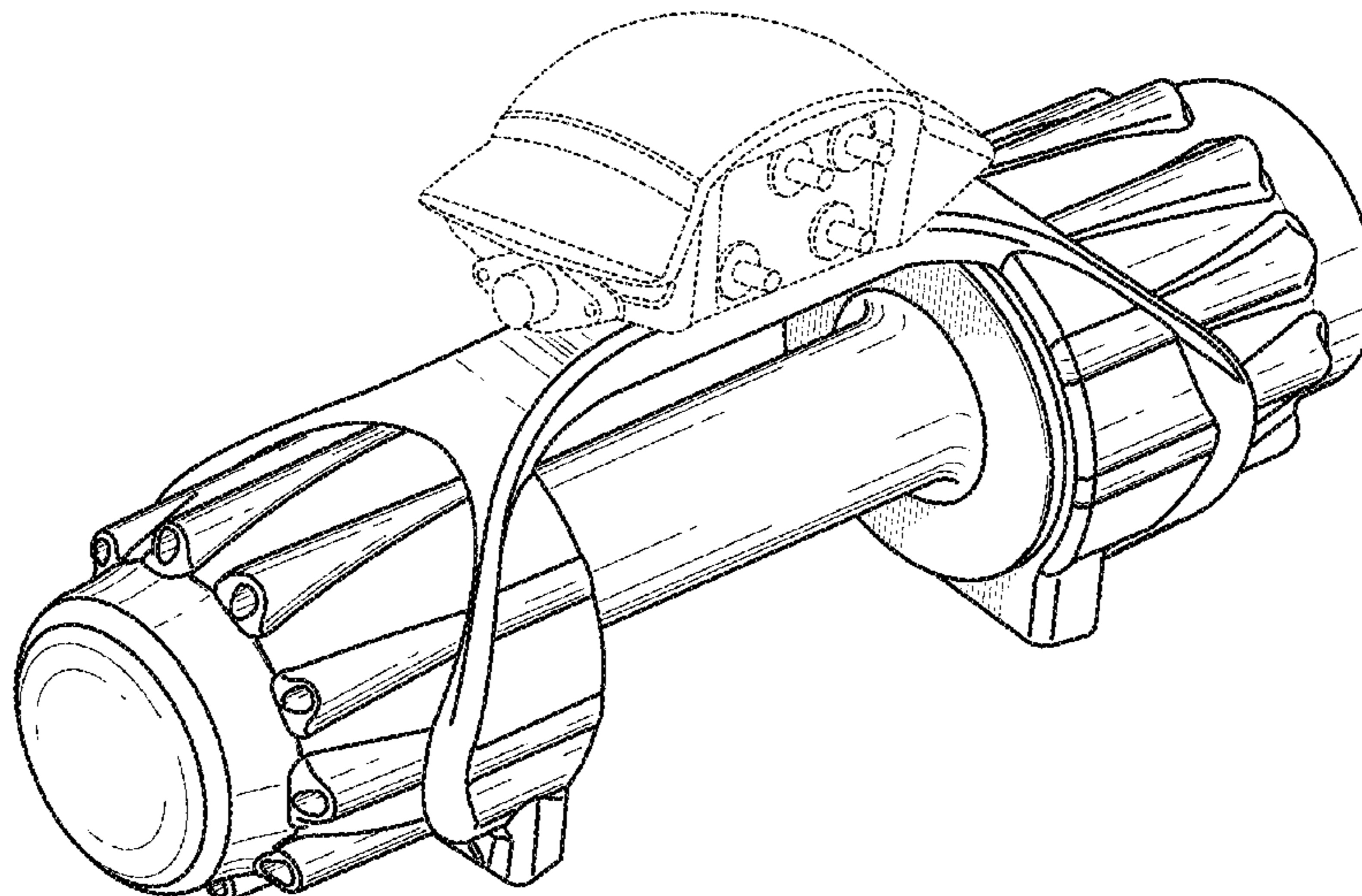
**DESCRIPTION**

FIG. 1 is a top perspective view of the winch housing showing my new design;  
FIG. 2 is a left side elevation view thereof;  
FIG. 3 is a right side elevation view thereof;  
FIG. 4 is a rear elevation view thereof;  
FIG. 5 is a front elevation view thereof;  
FIG. 6 is a top plan view thereof; and,  
FIG. 7 is a bottom plan view thereof.  
The broken lines shown in the figures are included for the purpose of illustrating environment and form no part of the claimed design.

(56) **References Cited**  
U.S. PATENT DOCUMENTS

1,550,114 A 8/1925 Simpson  
2,360,713 A 10/1944 Parker  
2,365,141 A 12/1944 Sully  
3,190,617 A 6/1965 Burrows  
4,103,872 A 8/1978 Hirasuka  
5,098,068 A 3/1992 Jussila  
5,170,885 A 12/1992 Guenther  
6,073,917 A 6/2000 Plummer  
D471,338 S 3/2003 Hodge  
D473,992 S 4/2003 Hodge

**1 Claim, 6 Drawing Sheets**



(56)

**References Cited**

U.S. PATENT DOCUMENTS

2014/0252286 A1 9/2014 Averill et al.  
2014/0257631 A1 9/2014 Heravi et al.

\* cited by examiner

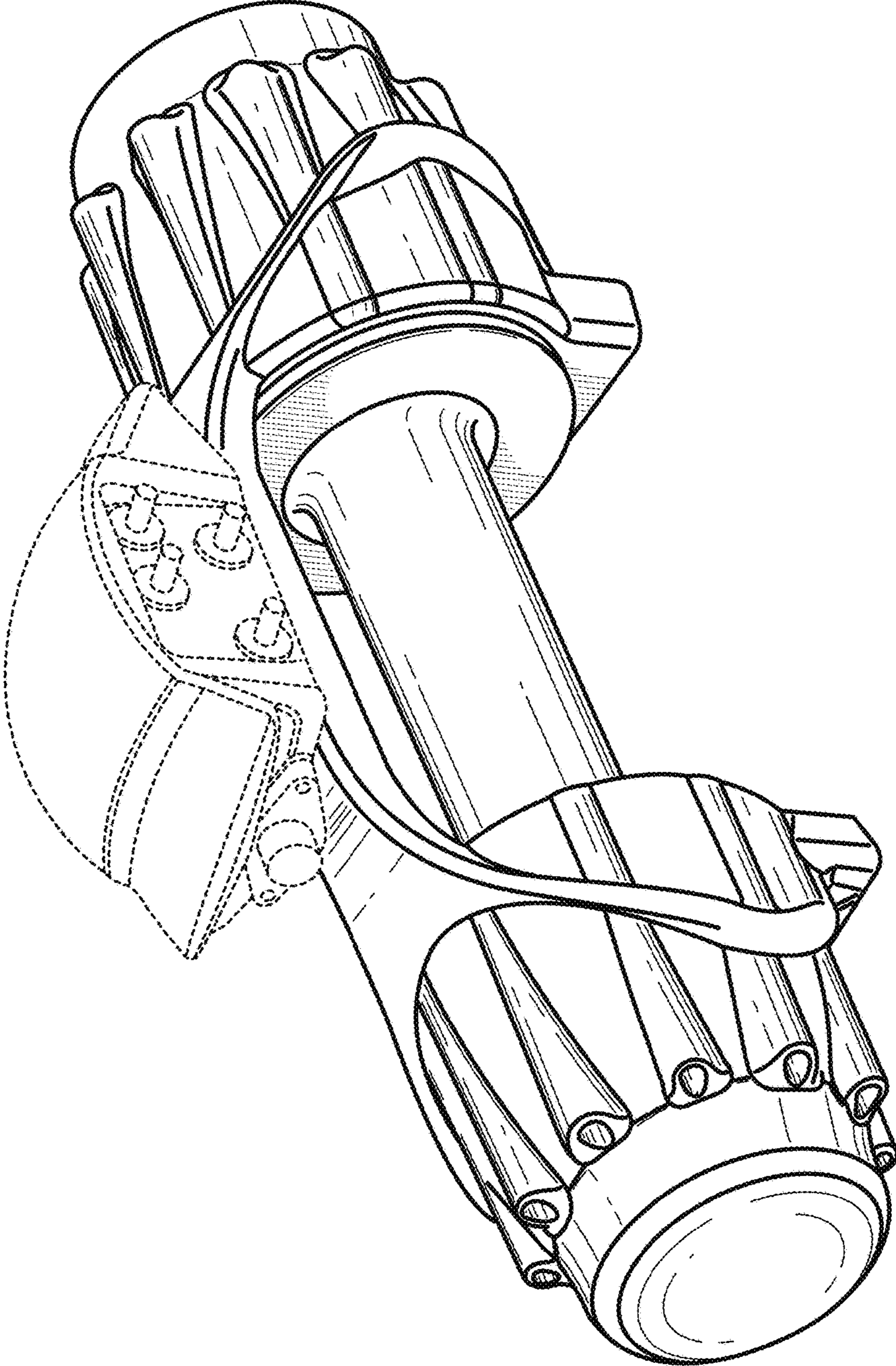


FIG. 1



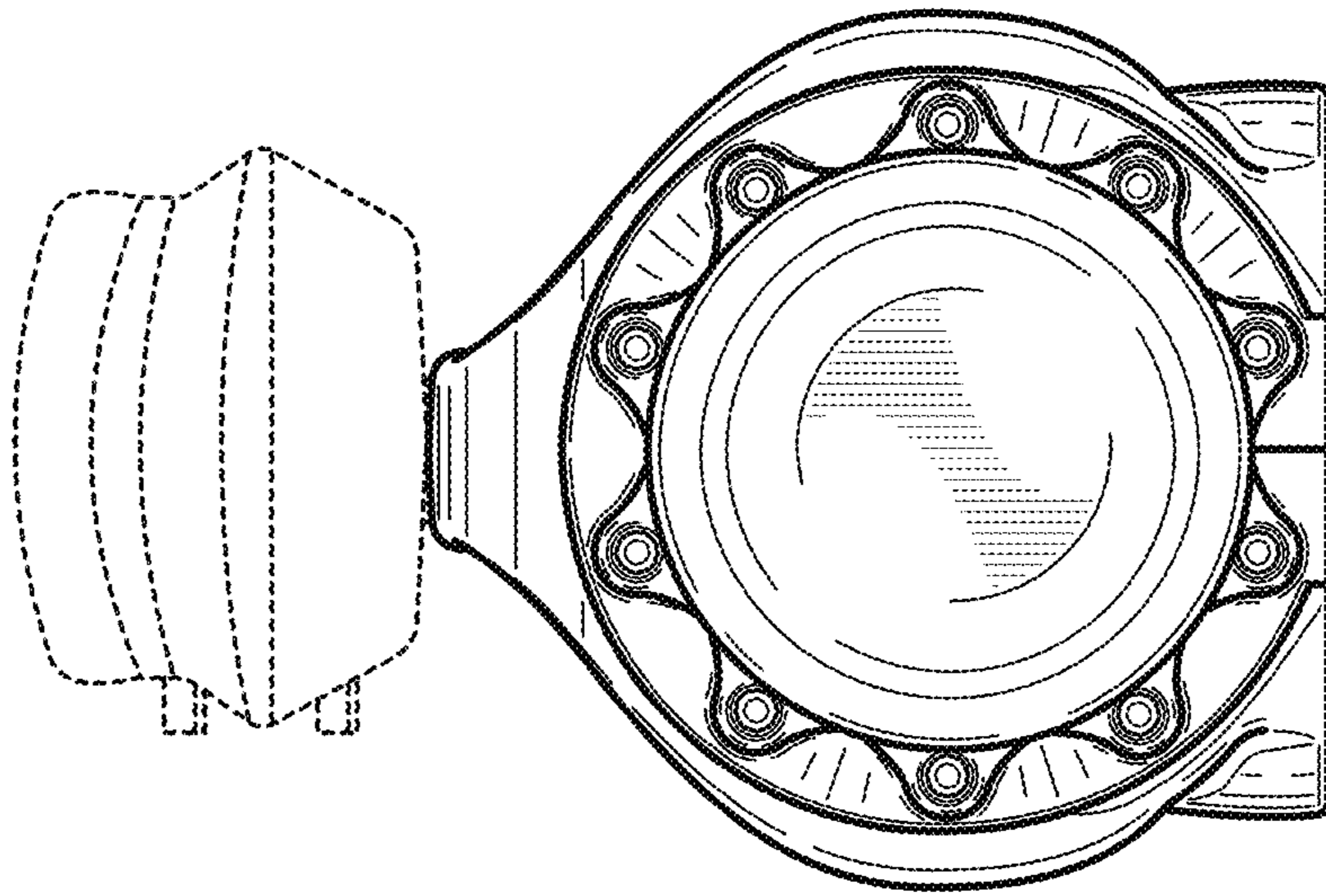


FIG. 3

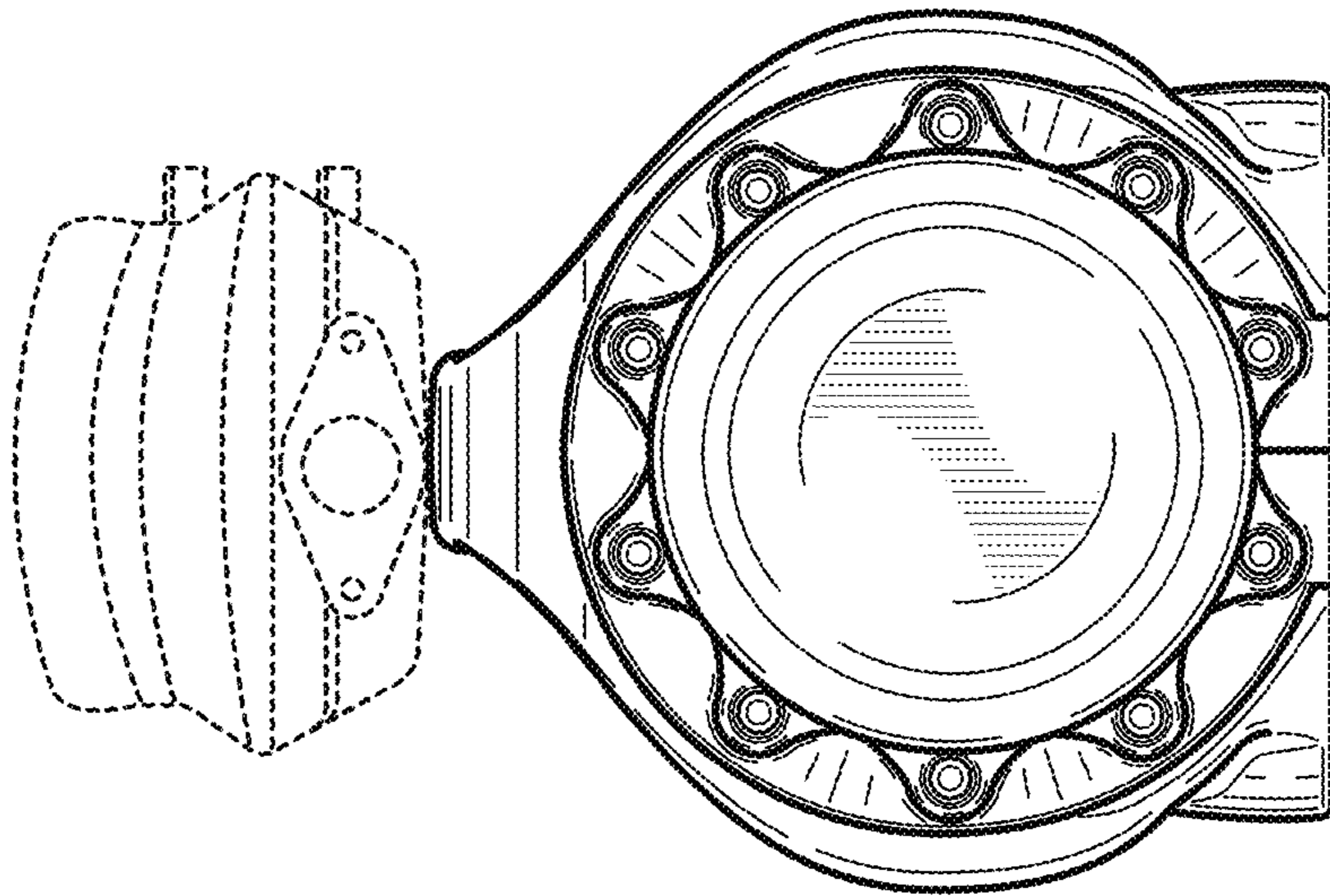


FIG. 2

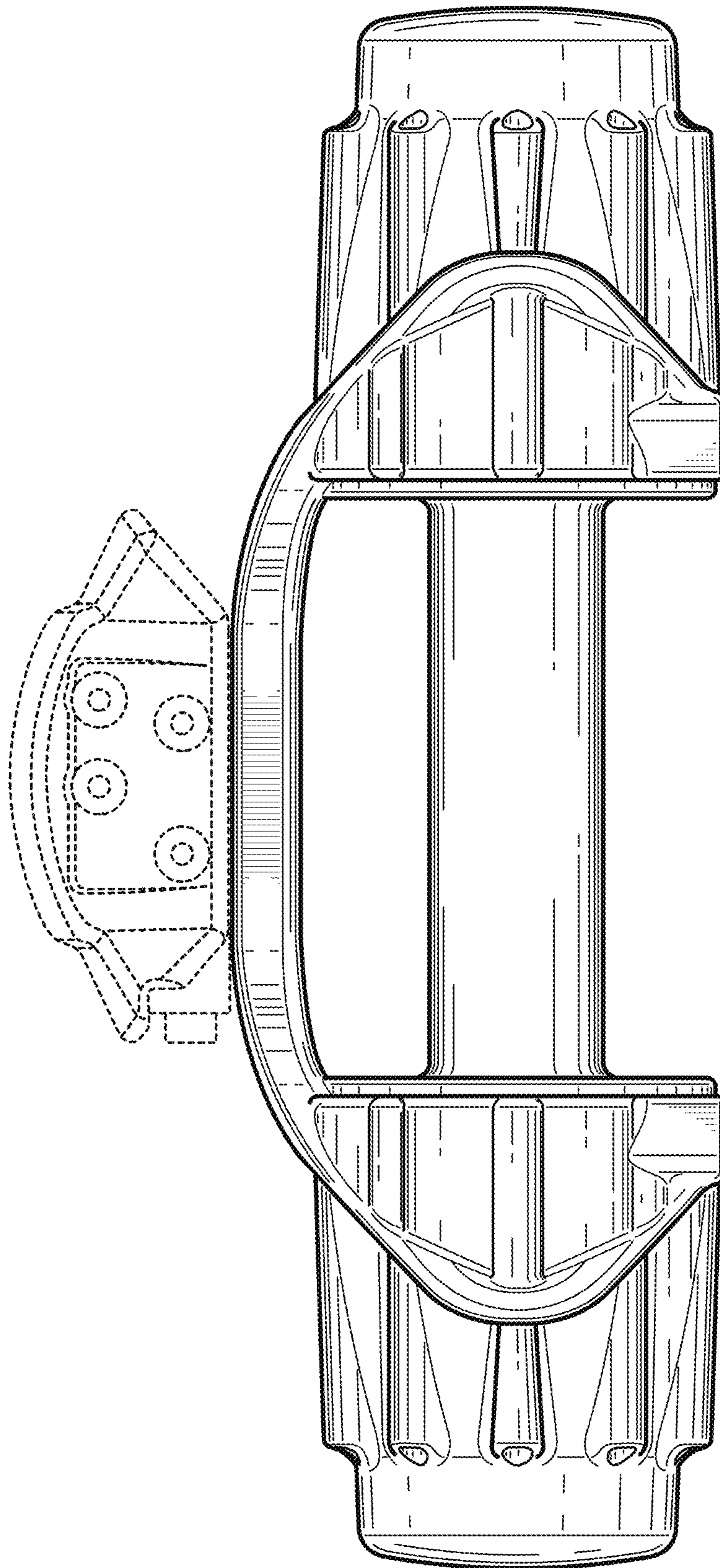


FIG. 4

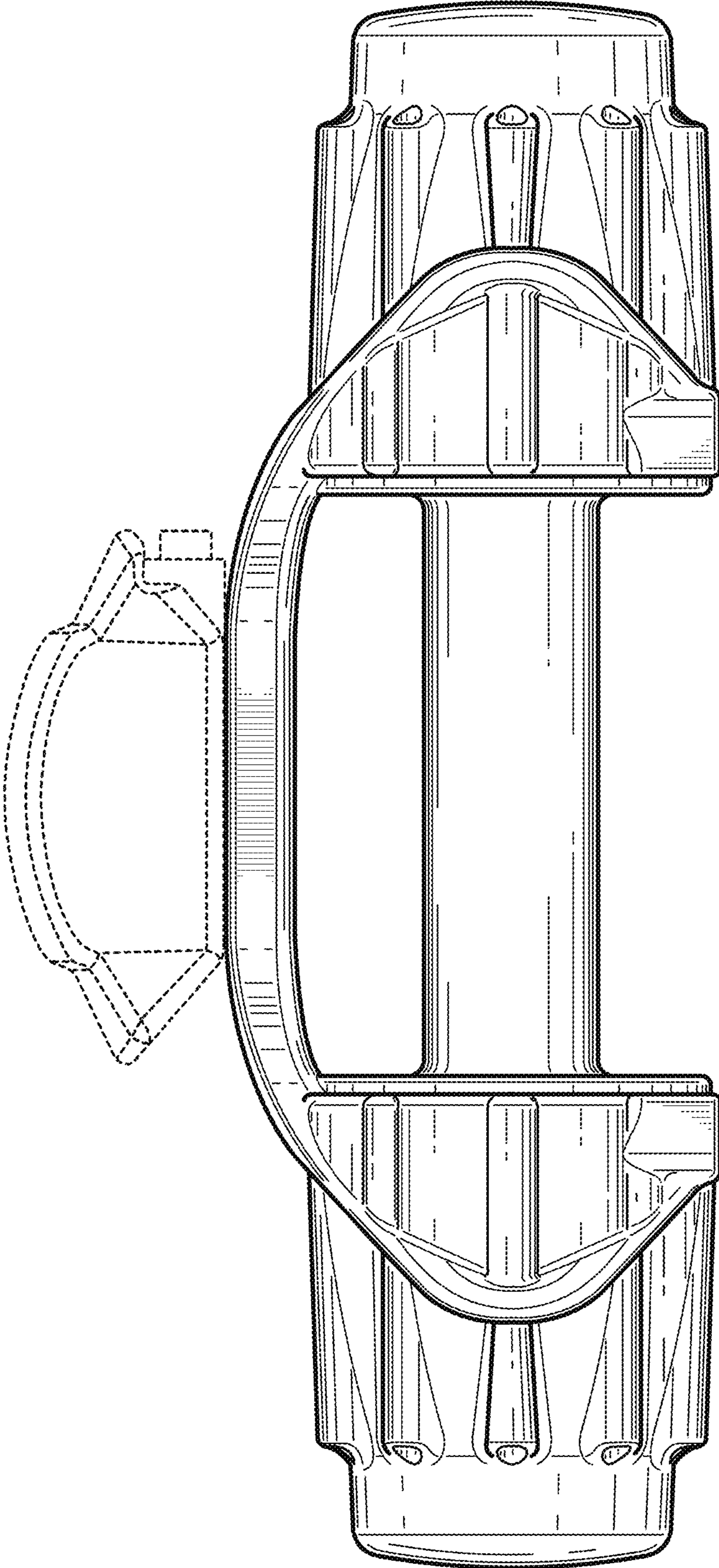


FIG. 5



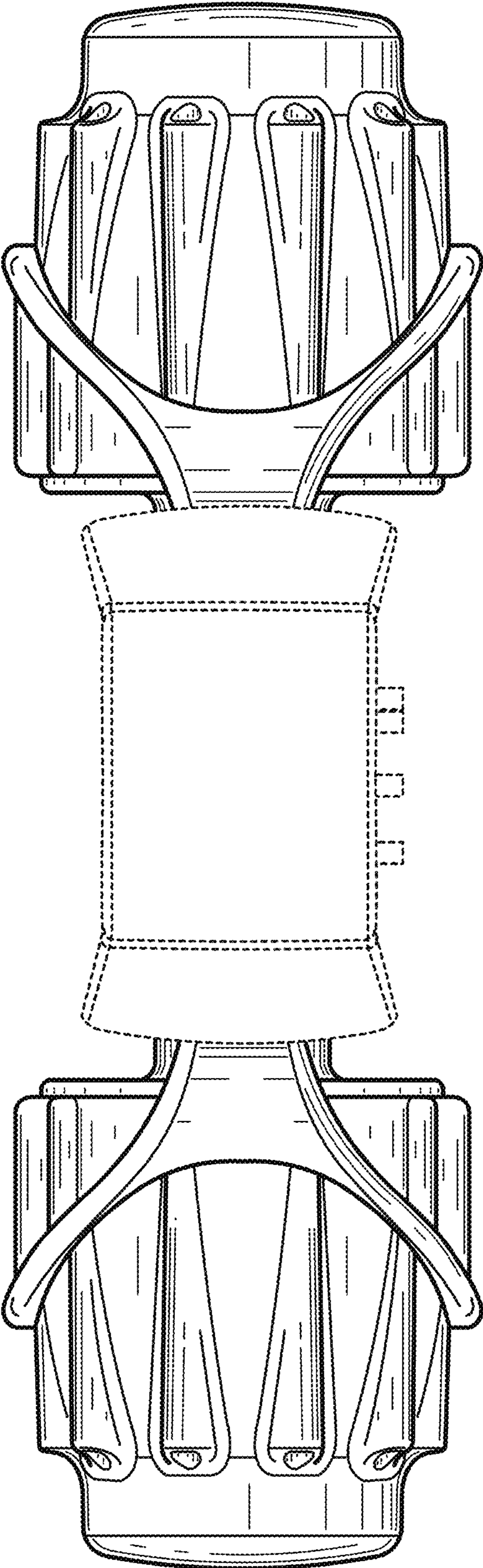


FIG. 6

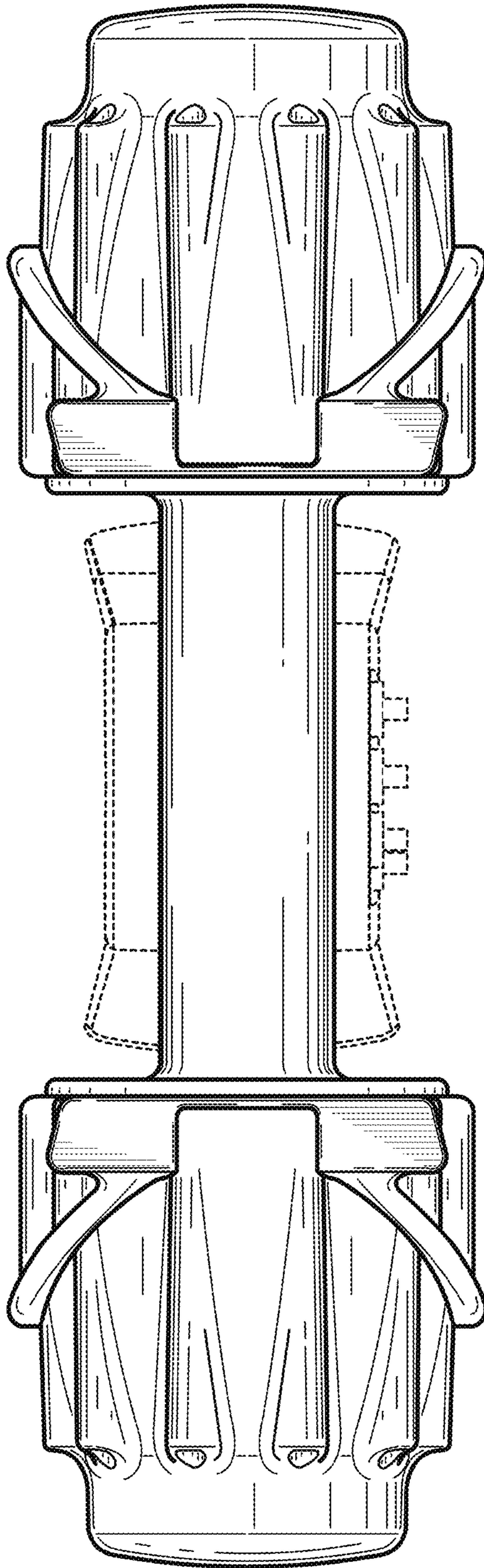


FIG. 7