



US00D799776S

(12) **United States Design Patent** (10) **Patent No.:** **US D799,776 S**
Bettcher, III et al. (45) **Date of Patent:** **** Oct. 10, 2017**

(54) **CLOSED VEHICLE LIFT ARM**
(71) Applicant: **The Braun Corporation**, Winamac, IN (US)
(72) Inventors: **Robert E. Bettcher, III**, Winamac, IN (US); **Justin M. Kline**, Westfield, IN (US); **Steven Visser**, West Lafayette, IN (US); **Yingxiao Cao**, West Lafayette, IN (US)
(73) Assignee: **The Braun Corporation**, Winamac, IN (US)

(**) Term: **15 Years**

(21) Appl. No.: **29/566,202**

(22) Filed: **May 27, 2016**

(51) **LOC (10) Cl.** **12-05**

(52) **U.S. Cl.**
USPC **D34/28**

(58) **Field of Classification Search**
USPC D34/28, 29, 31, 33, 38; 254/8 B, 419, 254/423, 93 H, 29 R, 30, 94, 7 C; D8/88, D8/106, 107; D12/106, 123, 400, 133; 269/237; 414/724, 706, 685, 669, 635, 414/563, 546; 182/203-222; 298/17 R, 298/17.5, 17.6, 19 R, 22 C, 17 B, 17 S, 298/17 SG; D15/17, 28
CPC B66F 5/02; B66F 13/00; B66F 3/24; B66F 5/04
See application file for complete search history.

(56) **References Cited**

U.S. PATENT DOCUMENTS

4,415,202 A * 11/1983 Pew A61G 5/00 280/304.1
D708,412 S * 7/2014 Bruns D34/33
9,375,369 B2 * 6/2016 Bruns A61G 3/062
2006/0104775 A1 * 5/2006 Kasten B60P 1/4457 414/546

2007/0224025 A1* 9/2007 Ablabutyan B60P 1/4442 414/546
2009/0010744 A1* 1/2009 Sobota A61G 3/06 414/546
2009/0272953 A1* 11/2009 Wolf B66F 7/0625 254/7 C

(Continued)

Primary Examiner — Cynthia Ramirez
Assistant Examiner — Michael Maharajh
(74) *Attorney, Agent, or Firm* — Taft Stettinius & Hollister, LLP; Ryan O. White

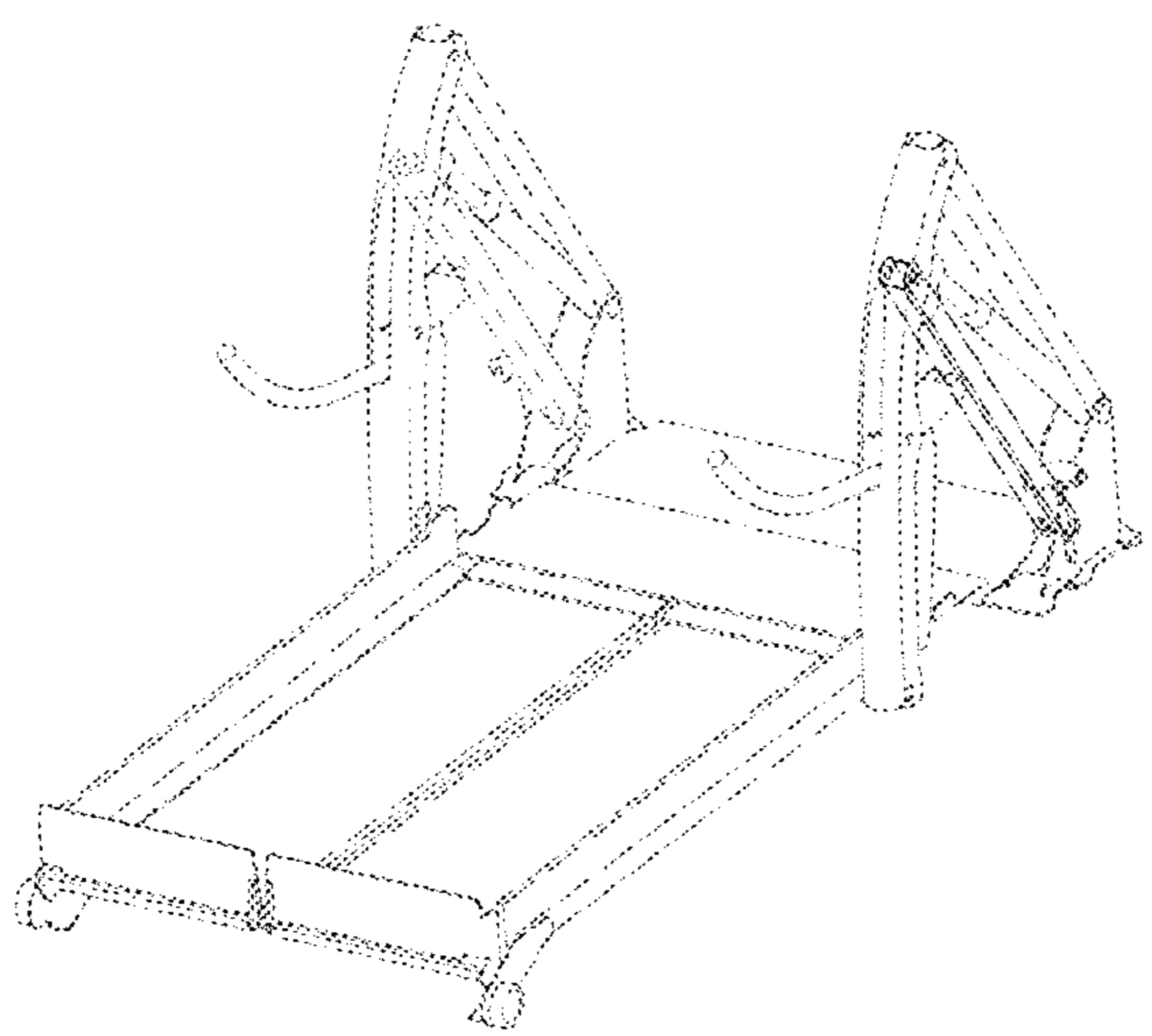
(57) **CLAIM**

The ornamental design for a closed vehicle lift arm, as shown and described.

DESCRIPTION

FIG. 1 is a front perspective view of a closed vehicle lift arm, showing our new design.
FIG. 2 is a front left view of the closed vehicle lift arm of FIG. 1.
FIG. 3 is a rear right view of the closed vehicle lift arm of FIG. 1.
FIG. 4 is a front view of the closed vehicle lift arm of FIG. 1.
FIG. 5 is a rear view of the closed vehicle lift arm of FIG. 1.
FIG. 6 is a left side elevation view of the closed vehicle lift arm of FIG. 1.
FIG. 7 is a right side elevation view of the closed vehicle lift arm of FIG. 1.
FIG. 8 is a top view of the closed vehicle lift arm of FIG. 1; and,
FIG. 9 is a bottom view of the closed vehicle lift arm of FIG. 1.
The broken lines showing a vehicle lift assembly and another closed vehicle lift arm in FIG. 1 are for the purpose of illustrating environmental structure, and form no part of the claimed design.

1 Claim, 4 Drawing Sheets



(56)

References Cited

U.S. PATENT DOCUMENTS

2013/0251488 A1 9/2013 Bruns
2015/0076431 A1* 3/2015 Kritzer B66F 5/04
254/89 H

* cited by examiner

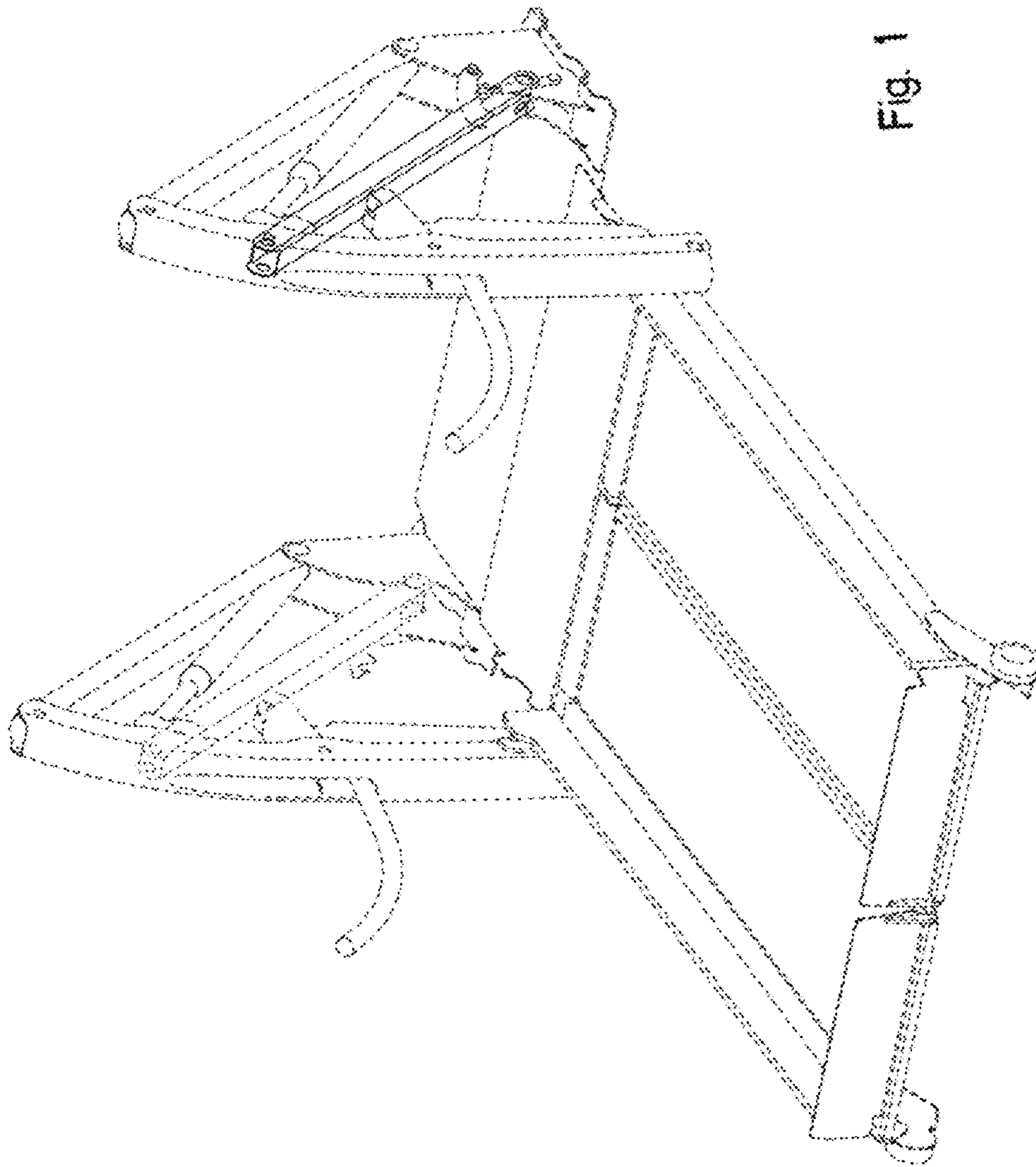


Fig. 1

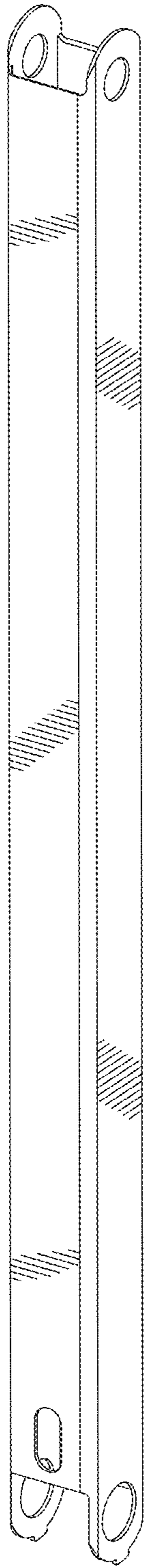


Fig. 2

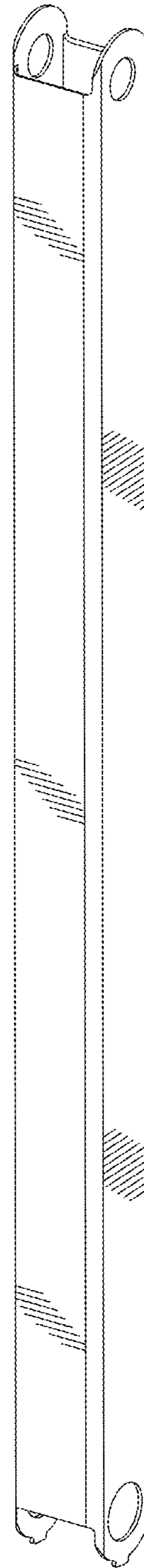


Fig. 3

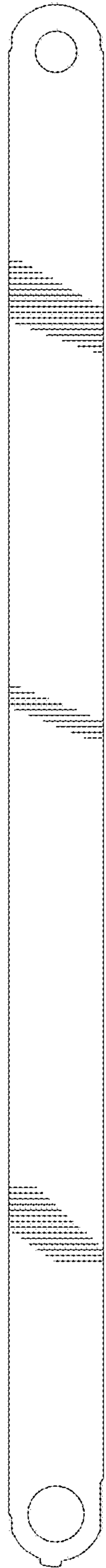


Fig. 4

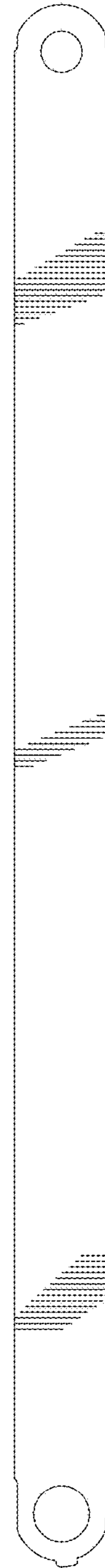


Fig. 5

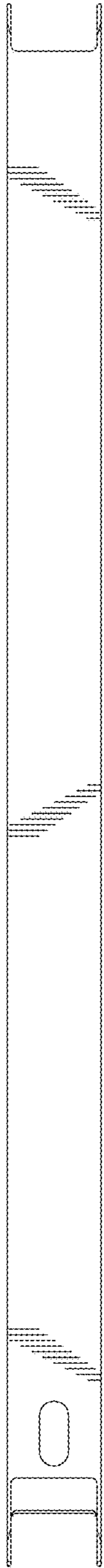


Fig. 6

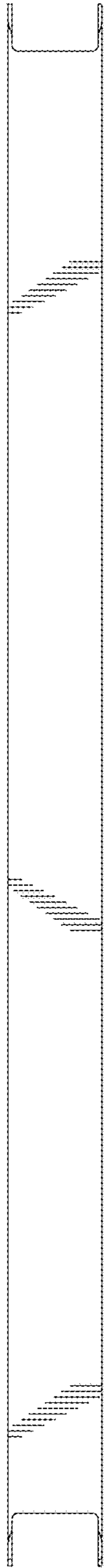


Fig. 7

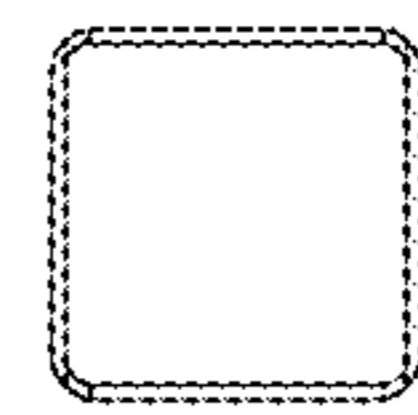


Fig. 8

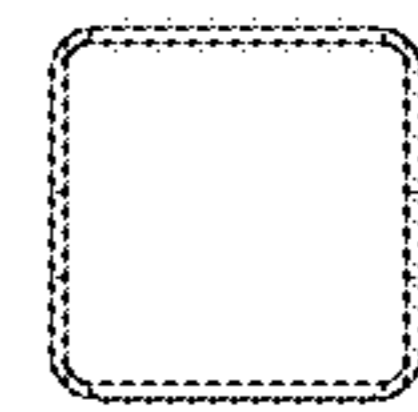


Fig. 9