



US00D799767S

(12) **United States Design Patent** (10) **Patent No.:** **US D799,767 S**
Palladino et al. (45) **Date of Patent:** **** Oct. 10, 2017**

(54) **VACUUM CLEANER**
(71) Applicant: **SHARKNINJA OPERATING LLC**,
Newton, MA (US)
(72) Inventors: **Gary V. Palladino**, Somerville, MA
(US); **Owen Rhys Alban Johnson**,
Needham, MA (US); **Junghwan Chei**,
Chestnut Hill, MA (US)
(73) Assignee: **SharkNinja Operating LLC**, Newton,
MA (US)

D668,823 S 10/2012 Stickney et al.
8,402,600 B2 3/2013 Beskow et al.
8,745,818 B2 6/2014 Iles et al.
9,027,198 B2* 5/2015 Conrad A47L 9/16
15/344

(Continued)

FOREIGN PATENT DOCUMENTS

DE 102010017211 A1 12/2011
DE 102010017258 A1 12/2011

(Continued)

OTHER PUBLICATIONS

International Search Report and Written Opinion issued on Mar. 17,
2017 in corresponding PCT Patent Application No. PCT/US
16/58155, 12 pgs.

(Continued)

Primary Examiner — Ruth McInroy
(74) *Attorney, Agent, or Firm* — Grossman Tucker
Perreault & Pfeleger, PLLC

(**) Term: **15 Years**
(21) Appl. No.: **29/559,436**
(22) Filed: **Mar. 28, 2016**
(51) **LOC (10) Cl.** **15-05**
(52) **U.S. Cl.**
USPC **D32/22**
(58) **Field of Classification Search**
USPC D32/17-18, 21-22, 31, 34
CPC A47L 5/24; A47L 5/28; A47L 5/34; A47L
5/362; A47L 5/36; A47L 11/34; A47L
9/325; A47L 9/20; A47L 9/02; A47L
9/32; A47L 9/322; A47L 9/327; A47L
7/0038
See application file for complete search history.

(57) **CLAIM**

The ornamental design of a vacuum cleaner, as shown and
described.

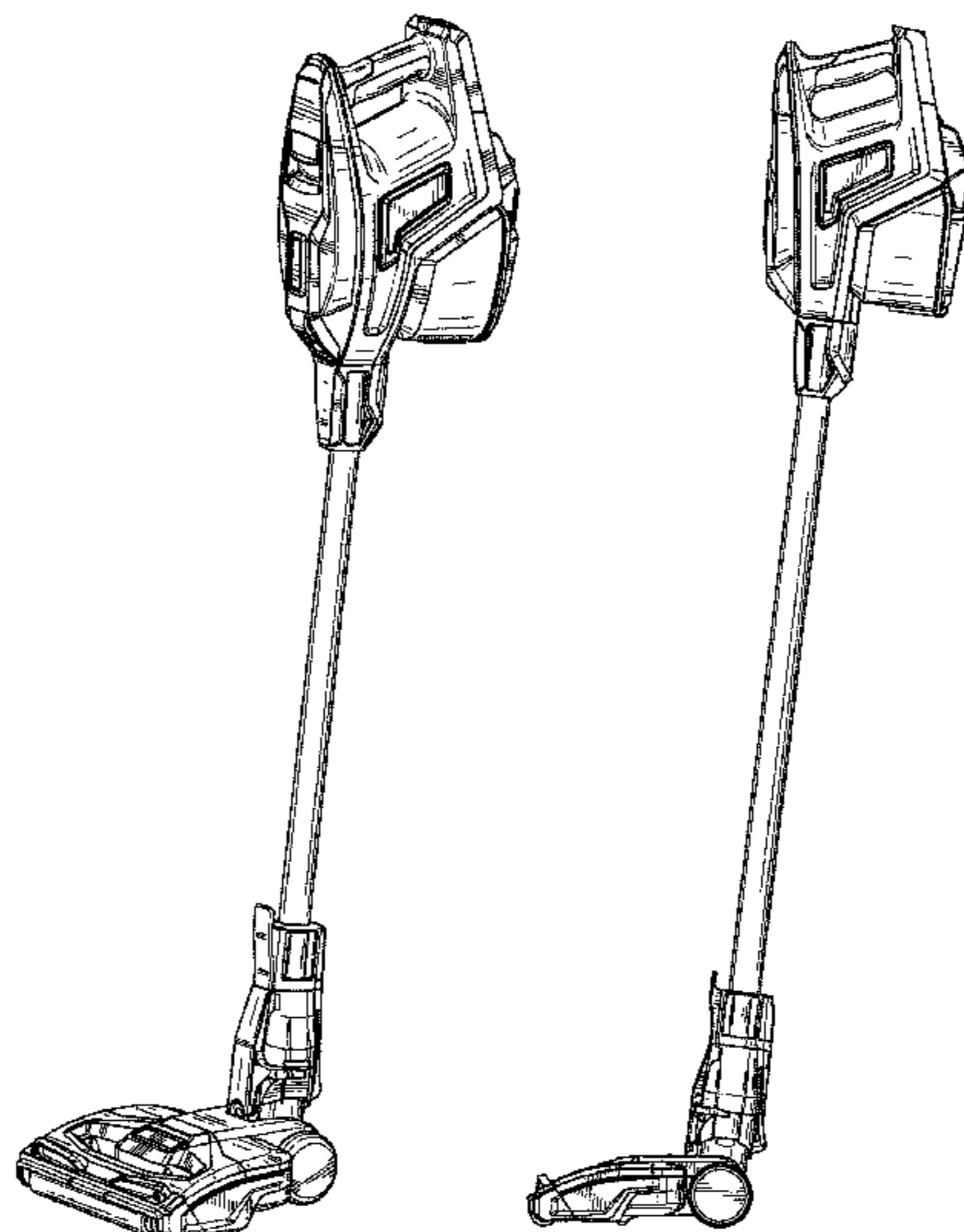
DESCRIPTION

FIG. 1 is a top perspective view of a vacuum cleaner
showing our new design;
FIG. 2 is a front view thereof;
FIG. 3 is a rear view thereof;
FIG. 4 is a left side view thereof;
FIG. 5 is a right side view thereof;
FIG. 6 is a top view thereof; and,
FIG. 7 is a bottom view thereof.

The broken lines are included for the purpose of illustrating
the unclaimed portions of the article and form no part of the
claim.

1 Claim, 6 Drawing Sheets

(56) **References Cited**
U.S. PATENT DOCUMENTS
4,138,762 A 2/1979 Jost et al.
4,372,004 A 2/1983 Vermillion
4,627,127 A 12/1986 Dupre
D348,548 S * 7/1994 Pino D32/18
5,960,514 A 10/1999 Miller et al.
6,237,188 B1 5/2001 Takemoto et al.
7,171,723 B2 2/2007 Kobayashi et al.
7,328,479 B2 2/2008 Willenbring
D577,163 S 9/2008 Dyson et al.
7,979,952 B2 7/2011 Beskow et al.
D668,010 S * 9/2012 Stickney D32/18



(56)

References Cited

U.S. PATENT DOCUMENTS

D731,130 S * 6/2015 Dyson D32/18
 D731,134 S * 6/2015 Dyson D32/31
 D731,136 S * 6/2015 Yun D32/34
 D731,720 S * 6/2015 Gidwell D32/18
 9,066,640 B2 6/2015 Iles et al.
 D738,583 S 9/2015 Gidwell et al.
 D738,584 S * 9/2015 Niedzwecki D32/18
 9,144,356 B2 9/2015 Yun
 D741,558 S * 10/2015 Kerr D32/18
 D742,083 S * 10/2015 Gidwell D32/31
 D743,123 S * 11/2015 Chu D32/18
 D745,231 S * 12/2015 Niedzwecki D32/18
 D747,572 S * 1/2016 Kerr D32/18
 D762,031 S 7/2016 Niedzwecki
 D774,260 S * 12/2016 Manning D32/22
 2002/0124334 A1 9/2002 Worwag
 2005/0172447 A1 8/2005 Roney et al.
 2006/0191097 A1 8/2006 Baumhake
 2009/0229075 A1 9/2009 Eriksson
 2012/0311813 A1 12/2012 Gilbert, Jr. et al.
 2013/0139349 A1 6/2013 Iles et al.
 2014/0060577 A1* 3/2014 Bruders A47L 11/4044
 134/6
 2014/0196247 A1 7/2014 Kasper et al.
 2015/0033498 A1 2/2015 McVey

2015/0359396 A1 12/2015 Yun
 2016/0058257 A1 3/2016 Ventress et al.
 2016/0345795 A1* 12/2016 Manning A47L 11/34

FOREIGN PATENT DOCUMENTS

EP 1994869 11/2008
 EP 2543301 9/2013
 GB 2109224 6/1983
 GB 2476811 7/2011
 GB 2529819 9/2016
 JP 03228721 A 10/1991
 JP 05228083 A 9/1993
 JP 2639155 B2 8/1997
 JP 2004222912 A 8/2004
 JP 2006312066 A 11/2006
 KR 100593324 B1 6/2006
 WO 9210967 A1 7/1992
 WO 2009117383 9/2009
 WO 2014177216 11/2014
 WO 2015015166 2/2015
 WO 2015015167 2/2015
 WO 2016034848 3/2016

OTHER PUBLICATIONS

International Search Report and Written Opinion issued on Mar. 24, 2017 in corresponding PCT Patent Application No. PCT/US 16/58148, 14 pgs.

* cited by examiner

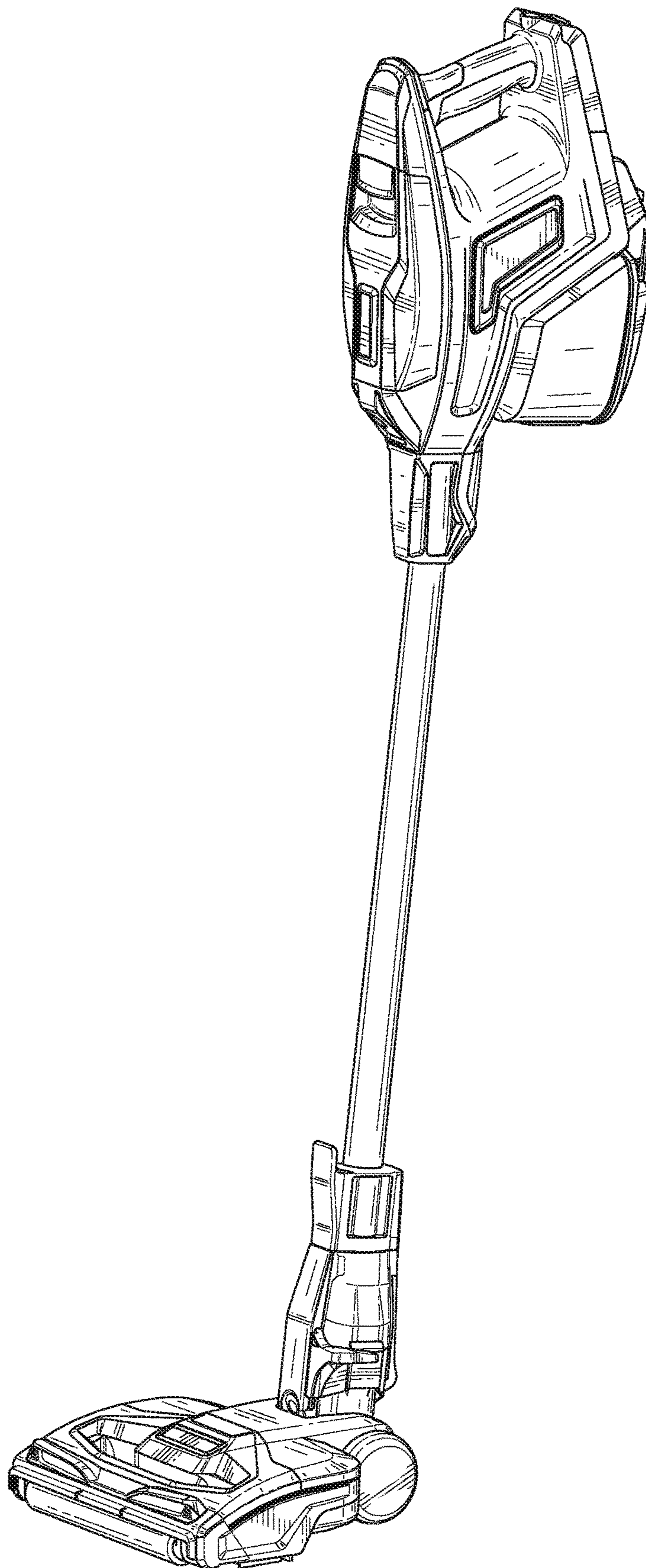


FIG. 1

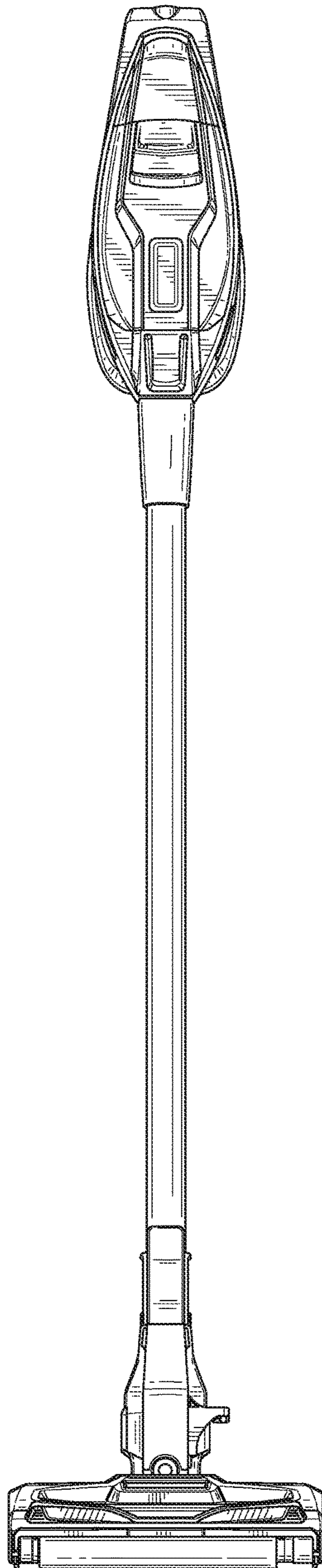


FIG. 2

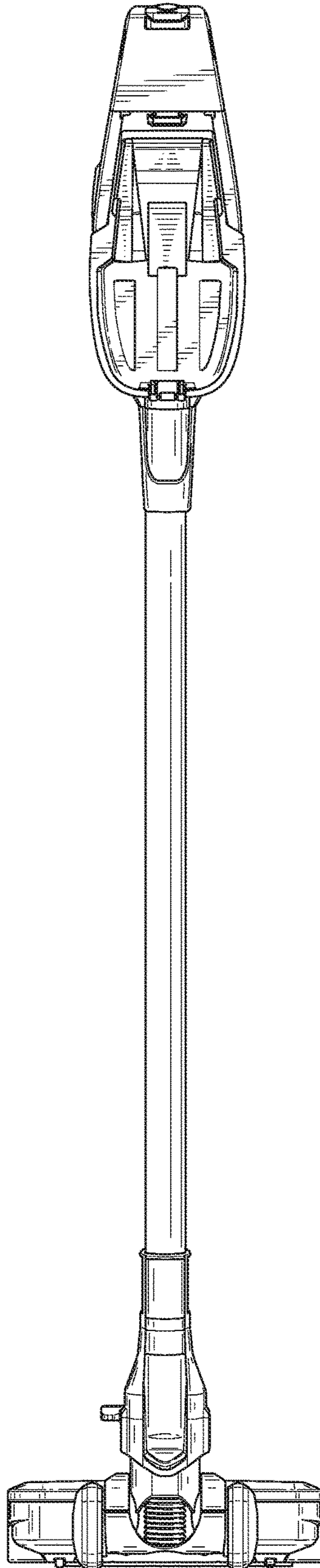


FIG. 3

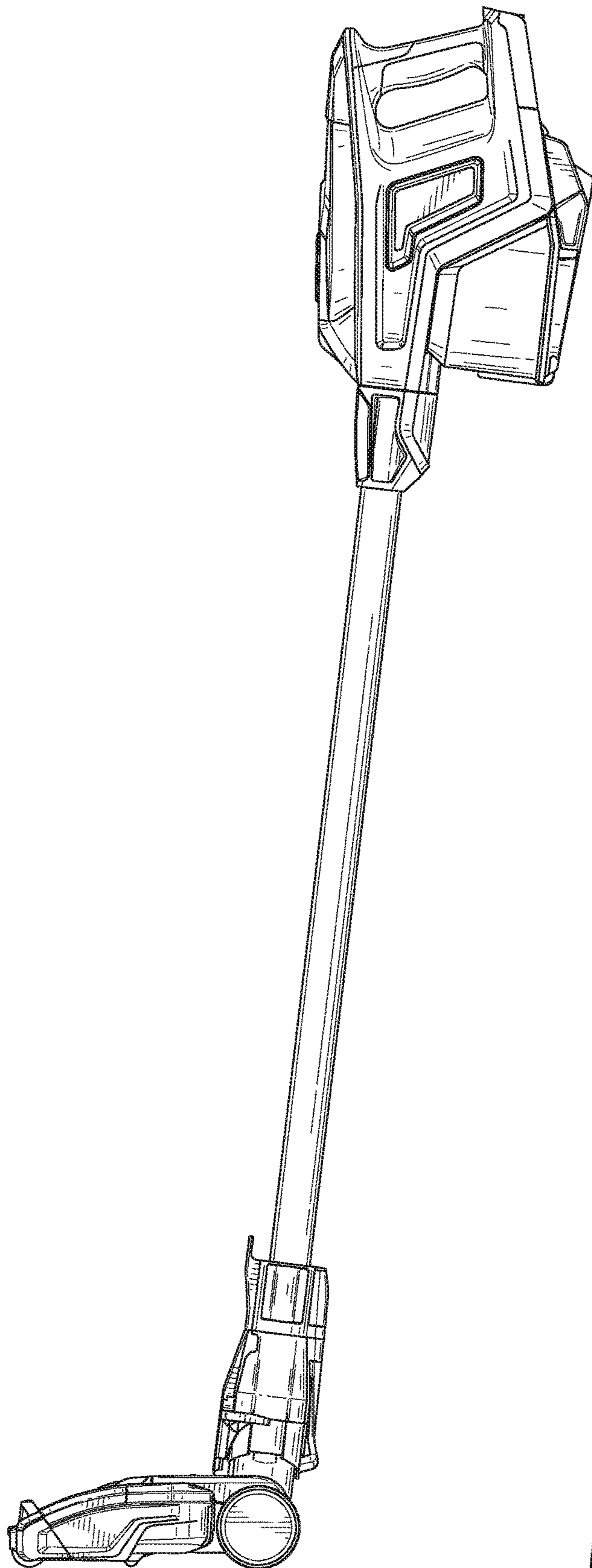


FIG. 4

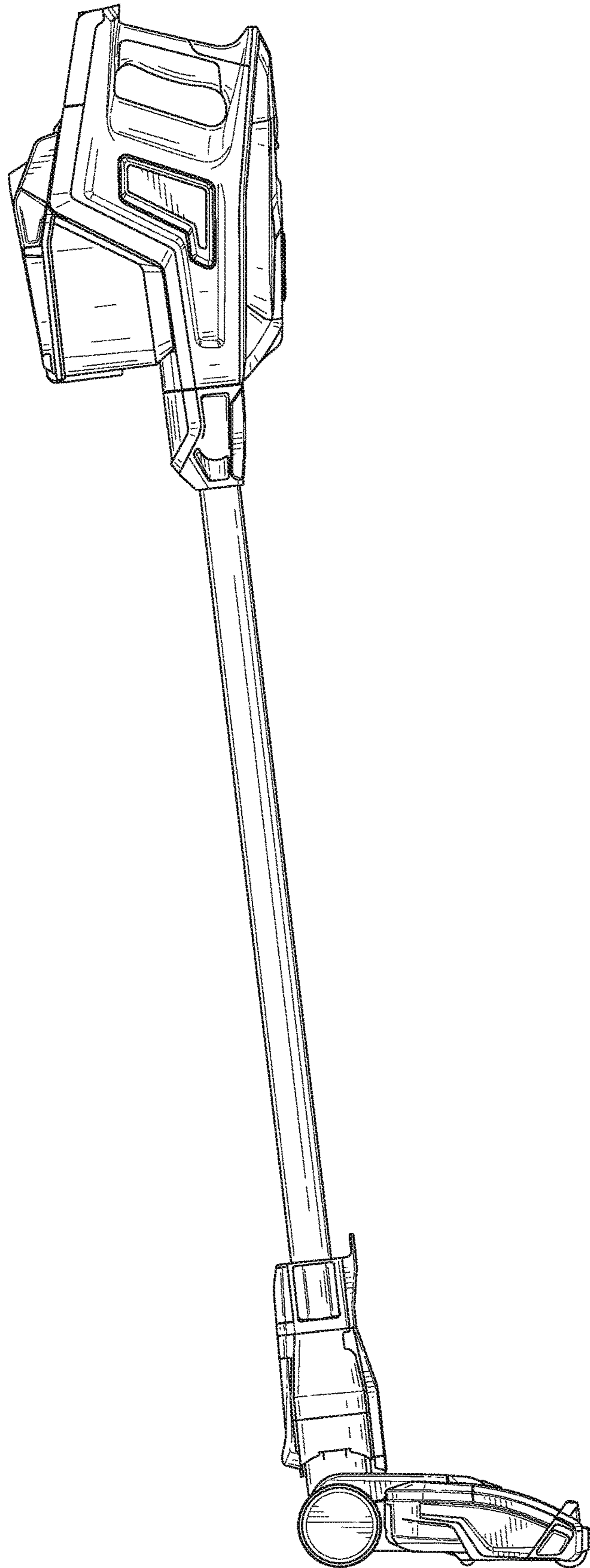


FIG. 5

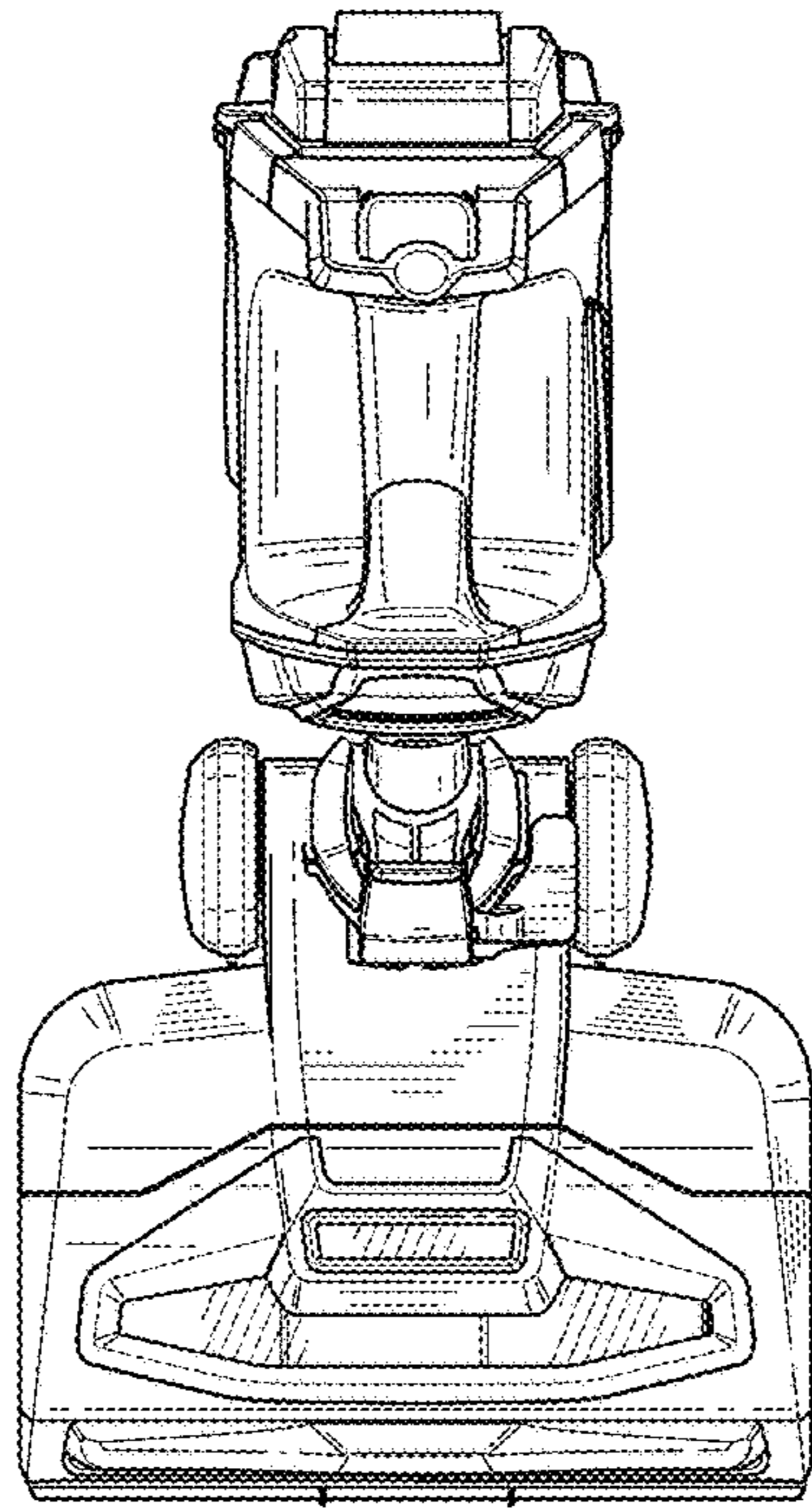


FIG. 6

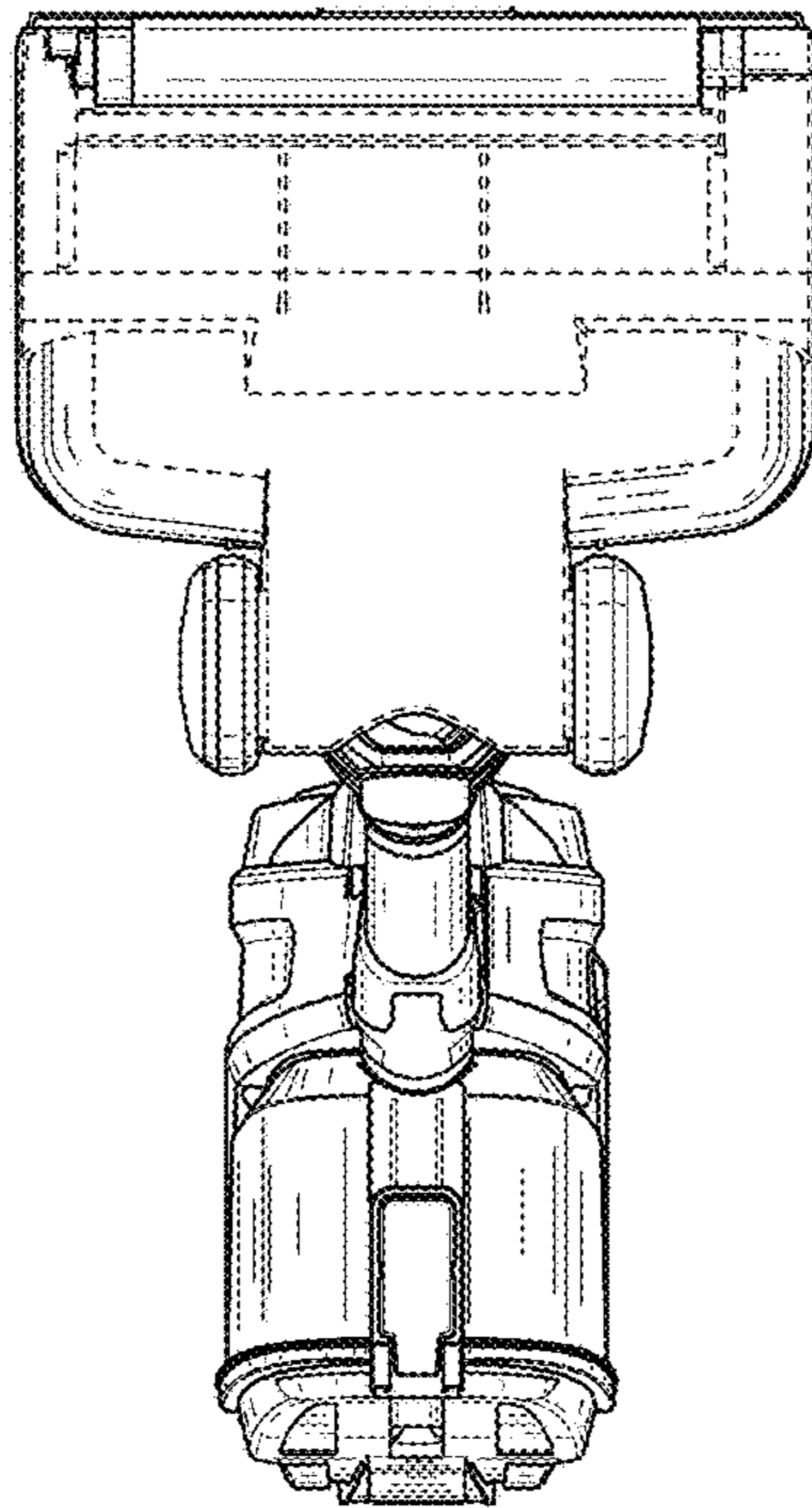


FIG. 7