



US00D799765S

(12) **United States Design Patent**
Haft et al.

(10) **Patent No.:** **US D799,765 S**
(45) **Date of Patent:** **** Oct. 10, 2017**

- (54) **DISHWASHER TUB BOTTOM**
- (71) Applicant: **Wolf Appliance, Inc.**, Fitchburg, WI (US)
- (72) Inventors: **Thomas Haft**, Madison, WI (US);
Gerry Lippincott, Milton, WI (US);
Colin R. Clerkin, Waunakee, WI (US);
Brian Wylie, Stoughton, WI (US)
- (73) Assignee: **Wolf Appliance, Inc.**, Fitchburg, WI (US)
- (**) Term: **15 Years**
- (21) Appl. No.: **29/585,957**
- (22) Filed: **Nov. 30, 2016**

- 3,834,783 A * 9/1974 Jenkins A47L 15/4272
312/311
- 3,908,854 A * 9/1975 Long B21D 51/18
220/656
- 4,028,012 A * 6/1977 Cushing A47L 15/4225
134/183

(Continued)

Primary Examiner — Michael A. Pratt
Assistant Examiner — Michelle E Wilson
(74) *Attorney, Agent, or Firm* — Bell & Manning, LLC

(57) **CLAIM**

We claim the ornamental design for a dishwasher tub bottom, as shown and described.

DESCRIPTION

FIG. 1 is a front perspective view of our new design for a dishwasher tub bottom shown in its environment;
 FIG. 2 is a front, right perspective view of the dishwasher tub bottom of FIG. 1;
 FIG. 3 is a front elevation view of the dishwasher tub bottom of FIG. 1;
 FIG. 4 is a back elevation view of the dishwasher tub bottom of FIG. 1;
 FIG. 5 is a right elevation view of the dishwasher tub bottom of FIG. 1;
 FIG. 6 is a left elevation view of the dishwasher tub bottom of FIG. 1;
 FIG. 7 is a top plan view of the dishwasher tub bottom of FIG. 1;
 FIG. 8 is a bottom plan view of the dishwasher tub bottom of FIG. 1; and,
 FIG. 9 is a cross-sectional view of the dishwasher tub bottom of FIG. 1.
 The broken lines in FIGS. 1-9 form no part of the claimed design. FIGS. 2-9 show the dishwasher tub bottom enlarged relative to that shown in FIG. 1 with the dishwasher tub bottom in its environment.

Related U.S. Application Data

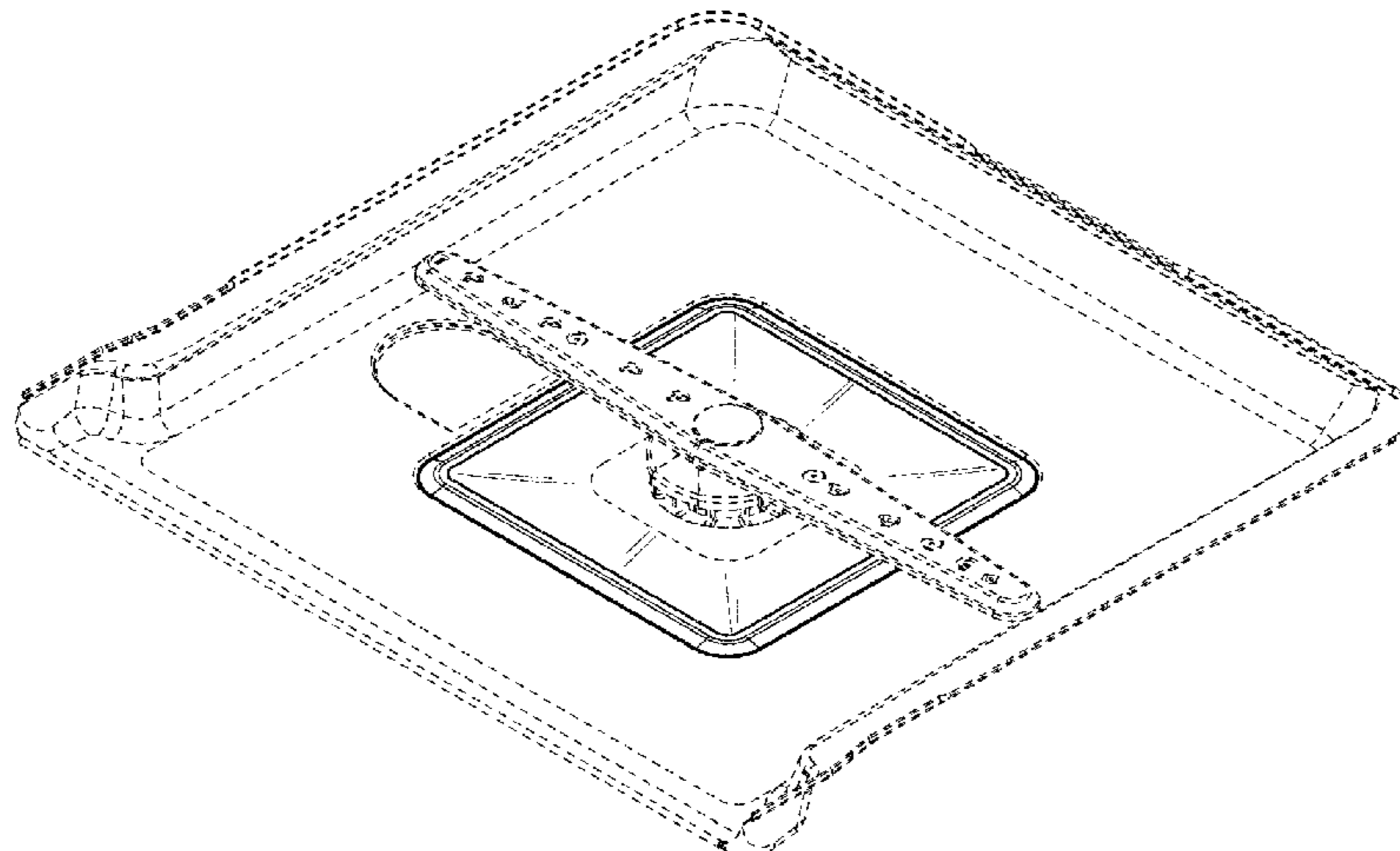
- (62) Division of application No. 29/493,111, filed on Jun. 5, 2014, now Pat. No. Des. 776,372.
- (51) **LOC (10) Cl.** **15-05**
- (52) **U.S. Cl.**
USPC **D32/3**
- (58) **Field of Classification Search**
USPC D32/1-3, 25-27; D23/213, 218, 221
CPC .. A47L 15/00; A47L 15/0002; A47L 15/0005;
A47L 15/0007; A47L 15/0015; A47L
15/0023
See application file for complete search history.

(56) **References Cited**

U.S. PATENT DOCUMENTS

- 2,489,485 A * 11/1949 Franklin A47L 15/16
134/109
- 2,563,109 A * 8/1951 Franklin A47L 15/18
134/148
- 3,732,835 A * 5/1973 Long B21D 51/18
72/348
- 3,817,590 A * 6/1974 Brezosky A47B 88/437
312/228.1

1 Claim, 4 Drawing Sheets



(56)

References Cited

U.S. PATENT DOCUMENTS

4,295,692 A * 10/1981 Jenkins A47L 15/4246
134/200
4,359,250 A * 11/1982 Jenkins A47L 15/4246
312/228
4,940,298 A * 7/1990 Jackson A47L 15/4246
312/228
5,230,553 A * 7/1993 Tuller A47L 15/4246
312/228
D344,819 S * 3/1994 Schober D32/3
5,299,586 A * 4/1994 Jordan A47L 15/4225
134/111
5,924,433 A * 7/1999 Thies A47L 15/4246
134/179
6,045,203 A * 4/2000 Marks A47L 15/4246
312/228
6,045,205 A * 4/2000 Dingler A47L 15/4272
134/201
D776,372 S * 1/2017 Haft D32/3
2004/0200507 A1 * 10/2004 Williams A47L 15/4246
134/25.2
2004/0201334 A1 * 10/2004 Williams A47L 15/4272
312/228
2009/0007944 A1 * 1/2009 Haeberle A47L 15/4246
134/201

* cited by examiner

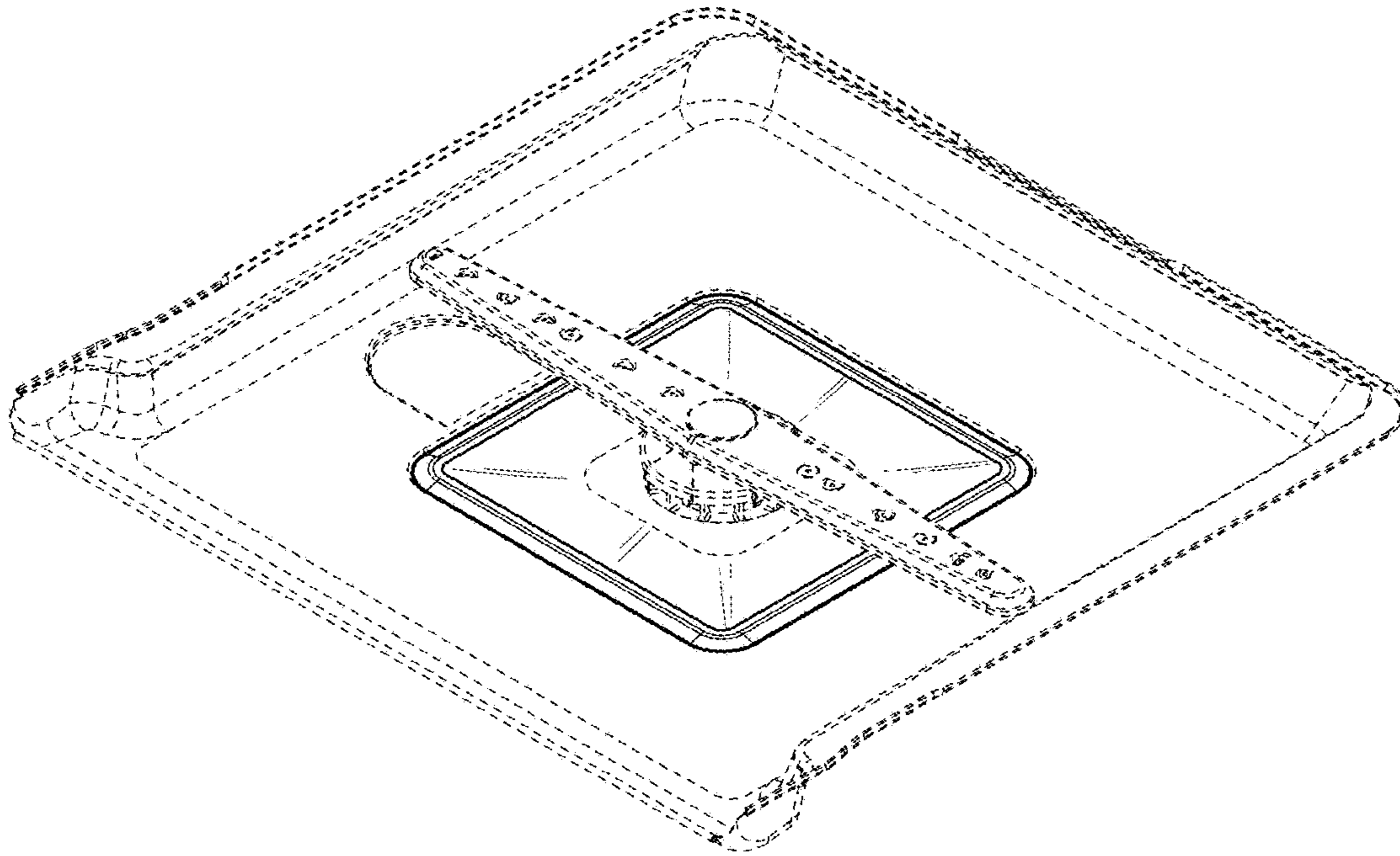


FIG. 1

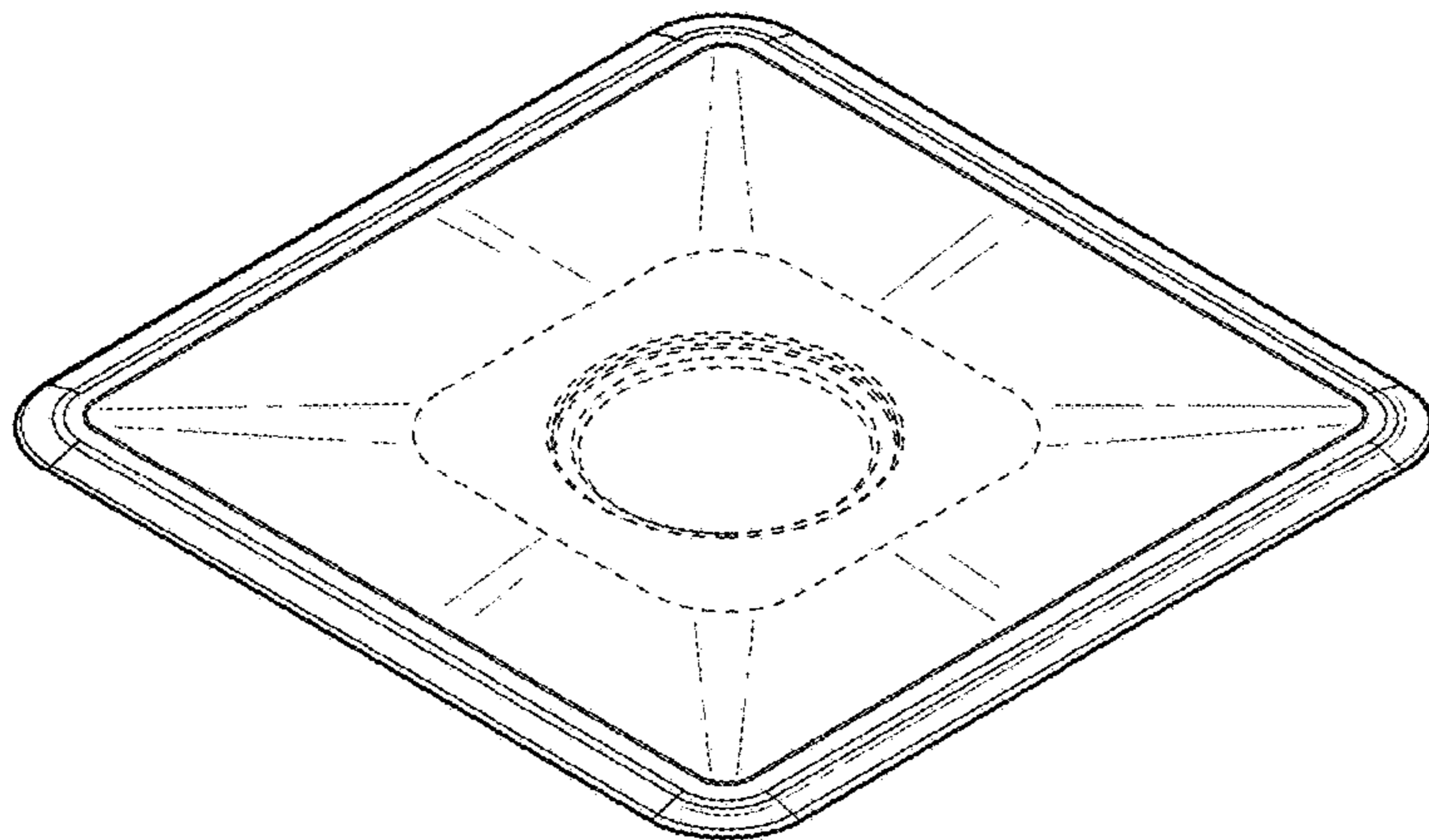


FIG. 2



FIG. 3

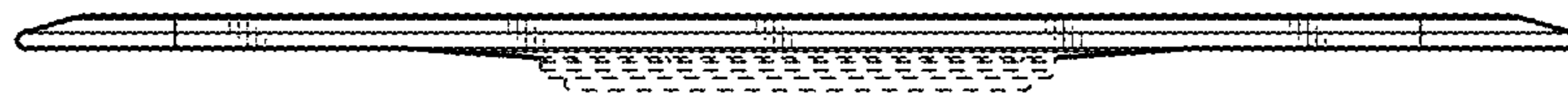


FIG. 4



FIG. 5

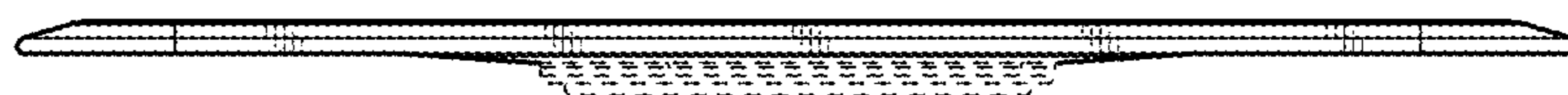


FIG. 6

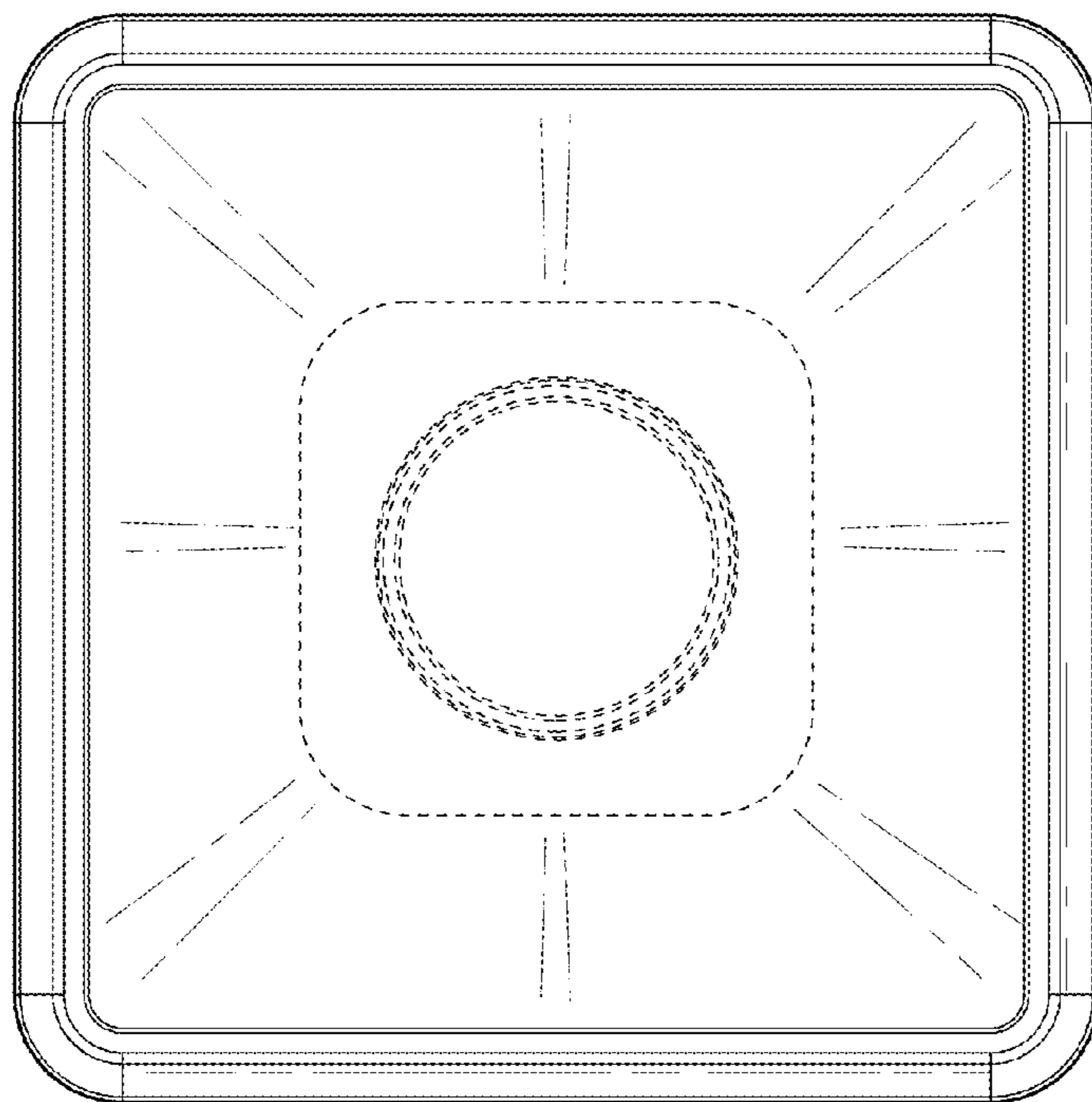


FIG. 7

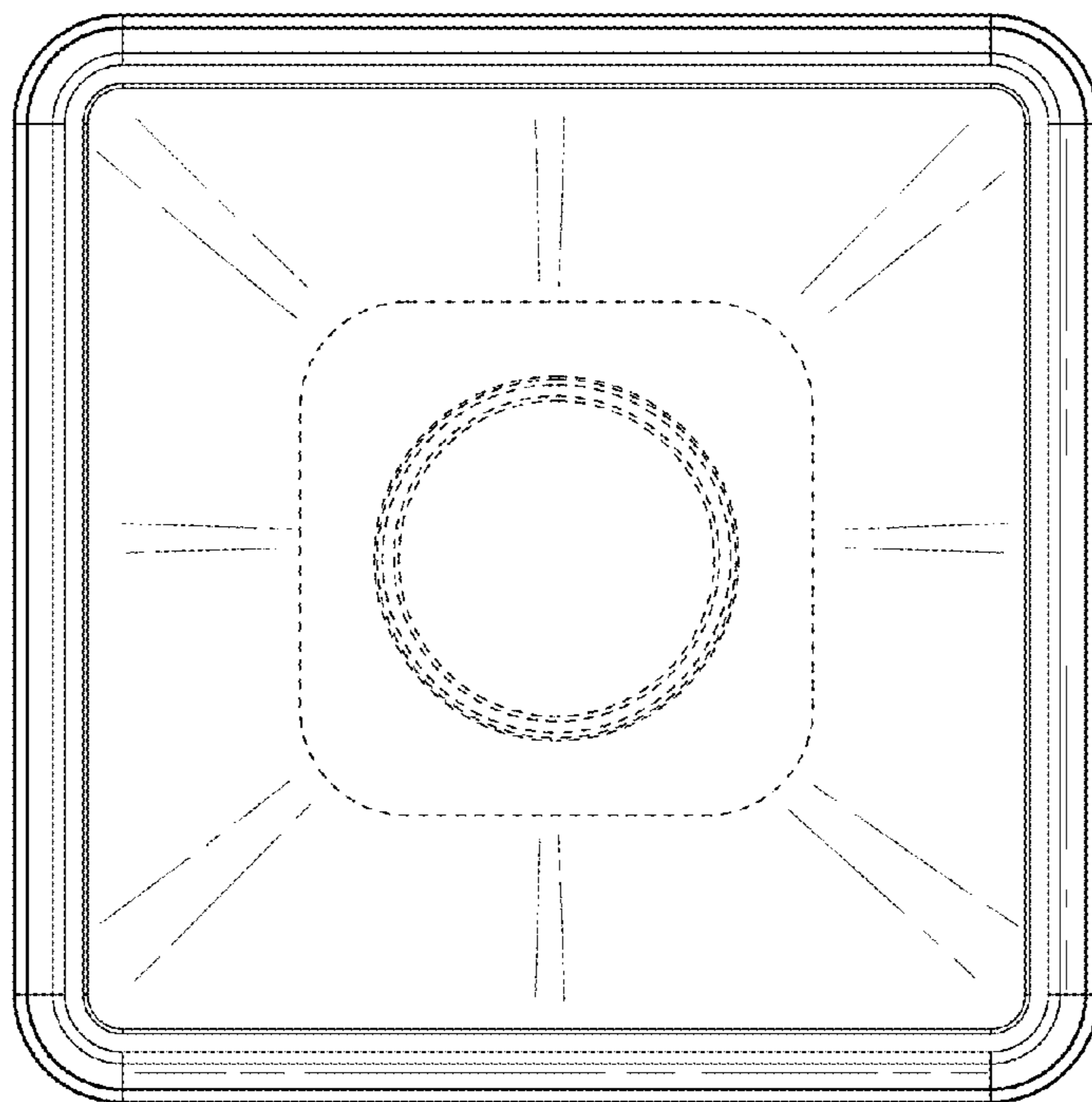


FIG. 8

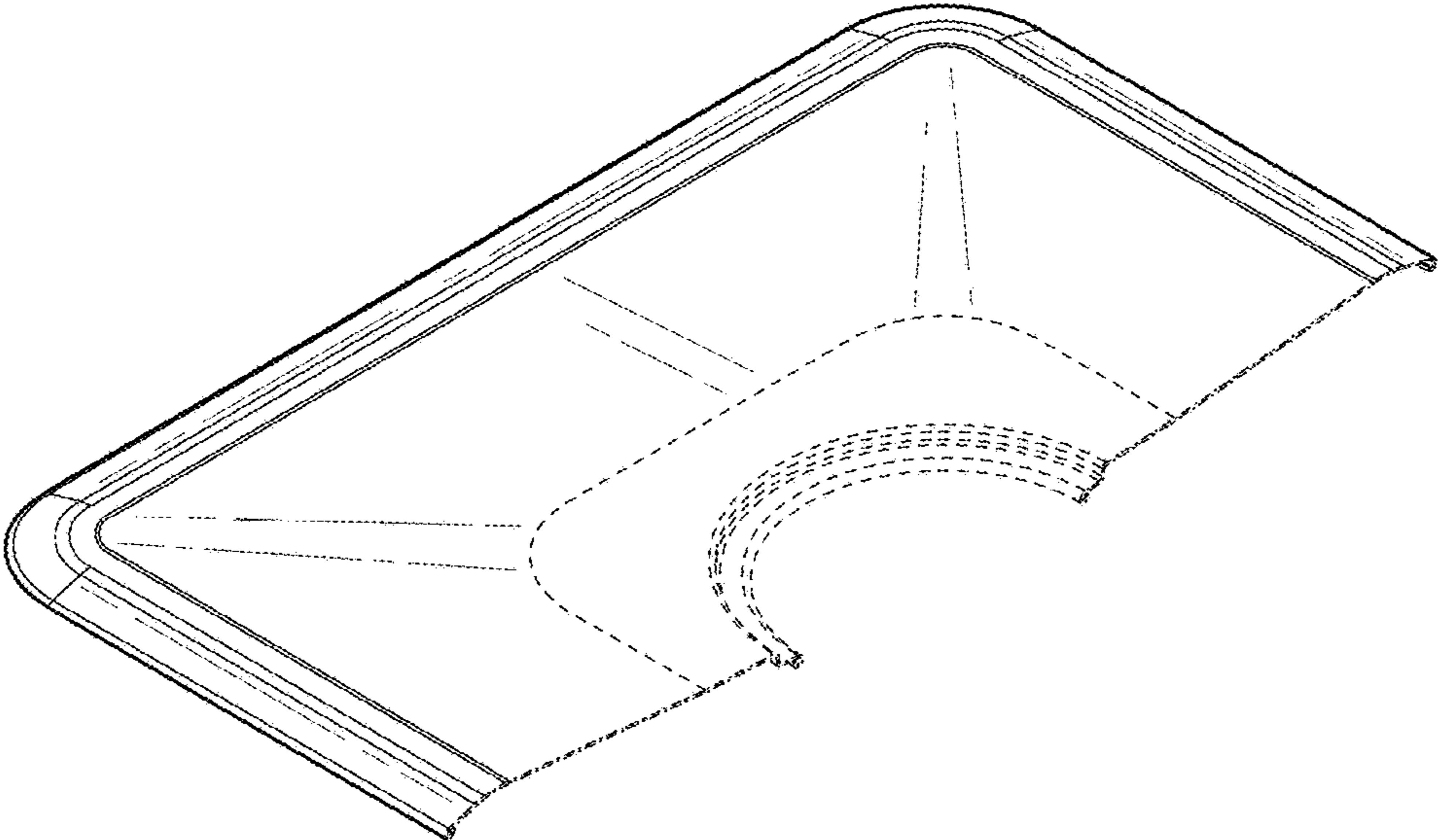


FIG. 9