



US00D799759S

(12) **United States Design Patent**  
**Elliott et al.**

(10) **Patent No.:** **US D799,759 S**  
(45) **Date of Patent:** **\*\* Oct. 10, 2017**

(54) **LITTER MAT**

(71) Applicant: **Pet Fusion, LLC**, Fanwood, NJ (US)

(72) Inventors: **Theodore Elliott**, Bentleyville, OH (US); **Andrew Roost**, Fanwood, NJ (US); **Joshua Wirth**, Mountainside, NJ (US)

(73) Assignee: **Pet Fusion, LLC**, Fanwood, NJ (US)

(\*\*) Term: **15 Years**

(21) Appl. No.: **29/551,974**

(22) Filed: **Jan. 19, 2016**

(51) **LOC (10) Cl.** ..... **30-99**

(52) **U.S. Cl.**  
USPC ..... **D30/161**

(58) **Field of Classification Search**  
USPC ..... D30/120, 161; D6/582-583, 585, 596  
CPC .. A01K 1/0114; A01K 1/0125; A01K 1/0154;  
A01K 1/0155; A01K 1/0157; A01K 31/04  
See application file for complete search history.

(56) **References Cited**

**U.S. PATENT DOCUMENTS**

D450,025 S \* 11/2001 Lu ..... D12/203  
D485,110 S \* 1/2004 Theorin ..... D6/582

D523,192 S \* 6/2006 Northrop ..... D30/161  
9,326,482 B2 \* 5/2016 Diskin ..... A01K 1/0107  
D758,760 S \* 6/2016 Mauro ..... D12/203

\* cited by examiner

*Primary Examiner* — Cathy Anne MacCormac  
(74) *Attorney, Agent, or Firm* — Myers Wolin, LLC

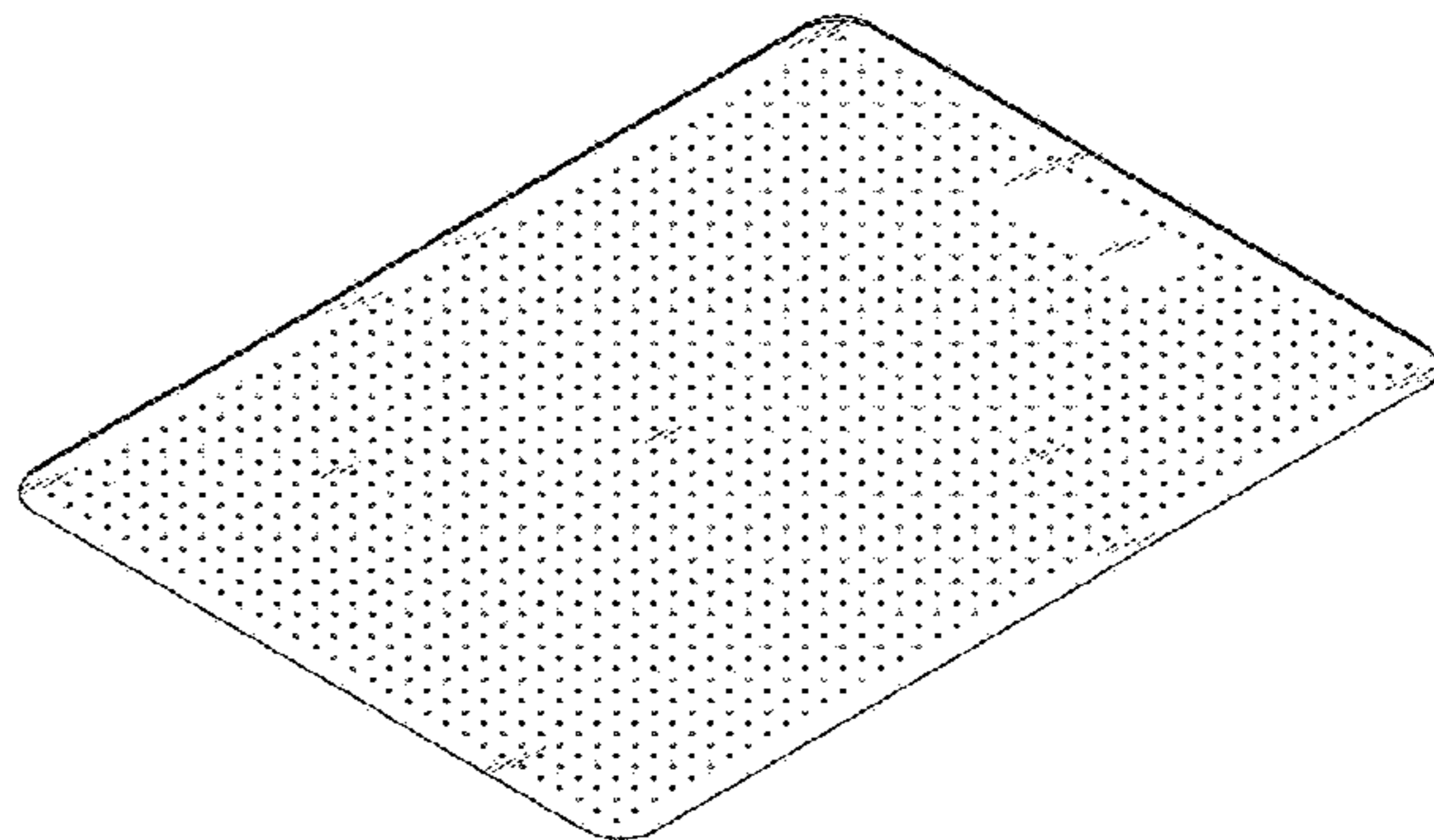
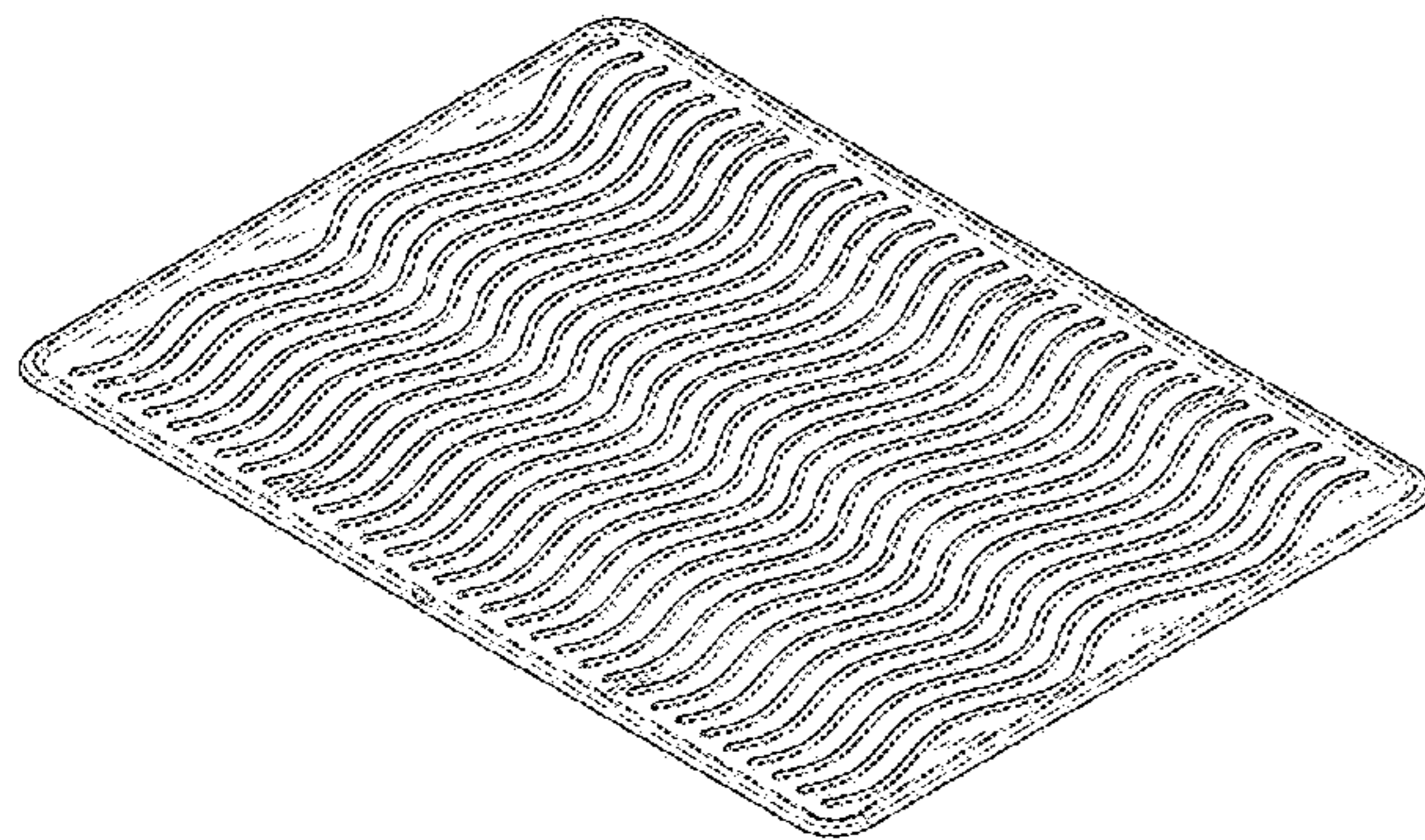
(57) **CLAIM**

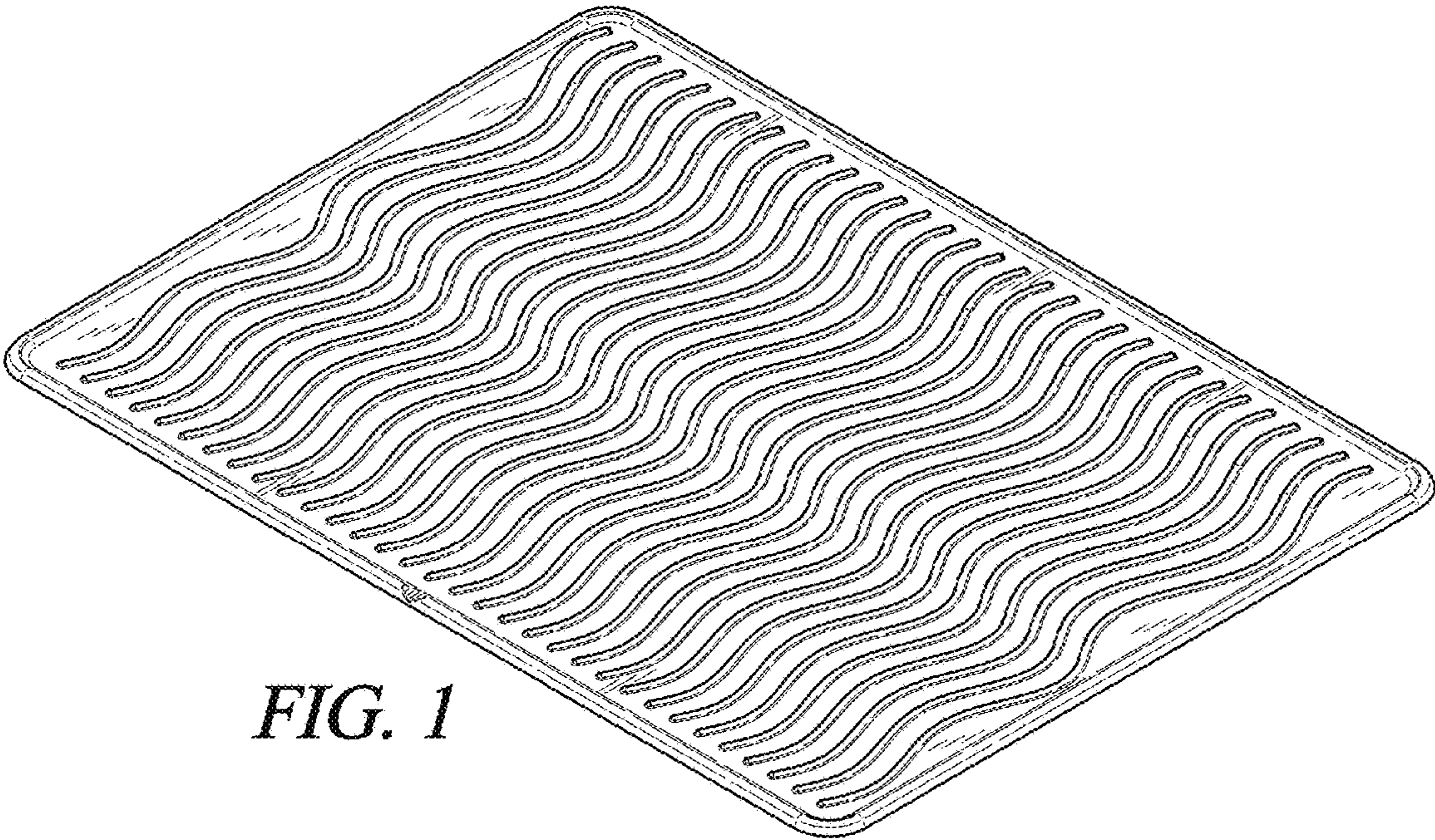
The ornamental design for a litter mat, as shown and described.

**DESCRIPTION**

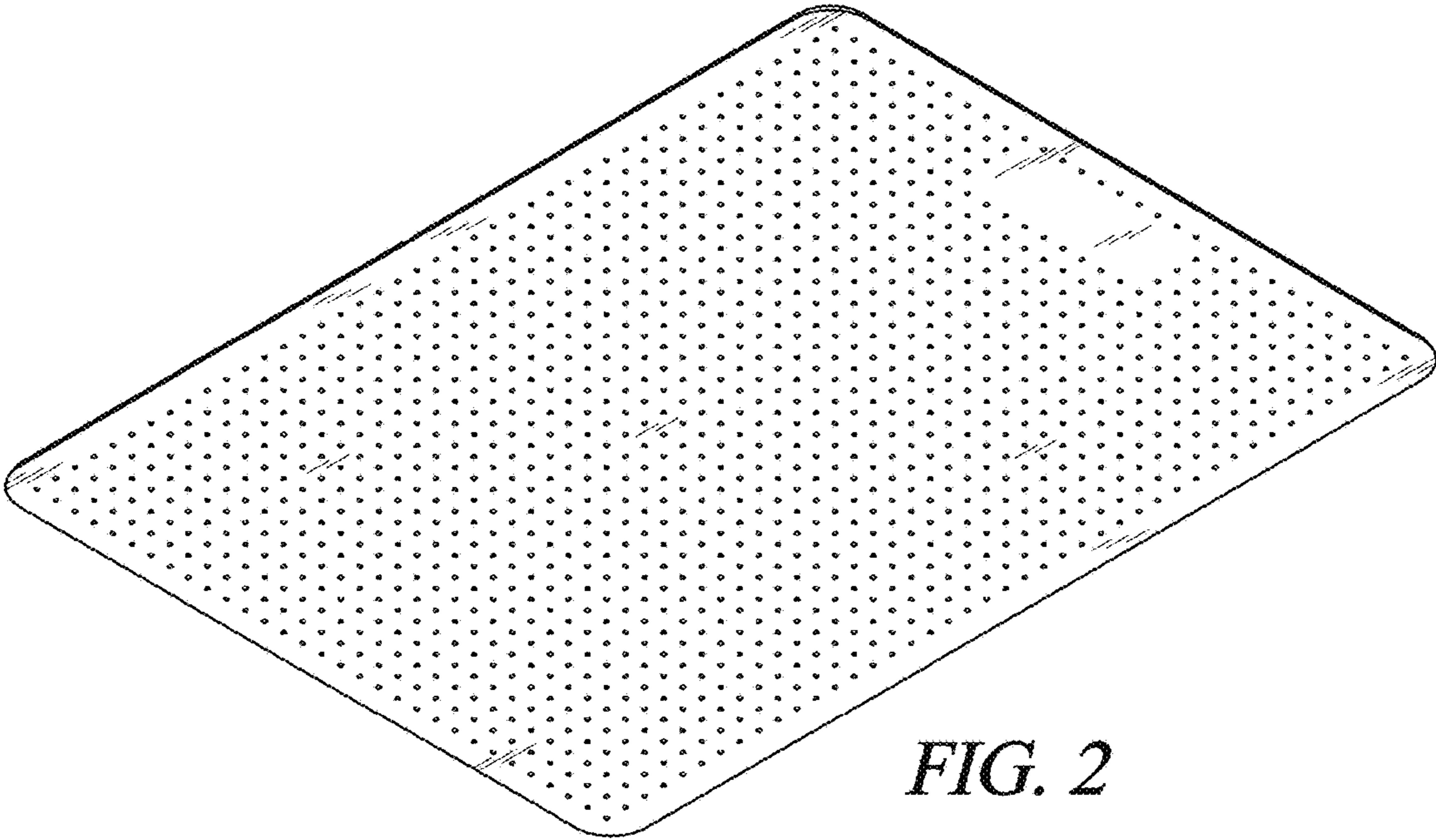
FIG. 1 is a top perspective view of a litter mat showing our new design;  
FIG. 2 is a bottom perspective view thereof;  
FIG. 3 is a top view thereof;  
FIG. 4 is a bottom view thereof;  
FIG. 5 is a front view thereof;  
FIG. 6 is a rear view thereof; and,  
FIG. 7 is a right side elevation view thereof, the left side elevation view being identical.

**1 Claim, 3 Drawing Sheets**

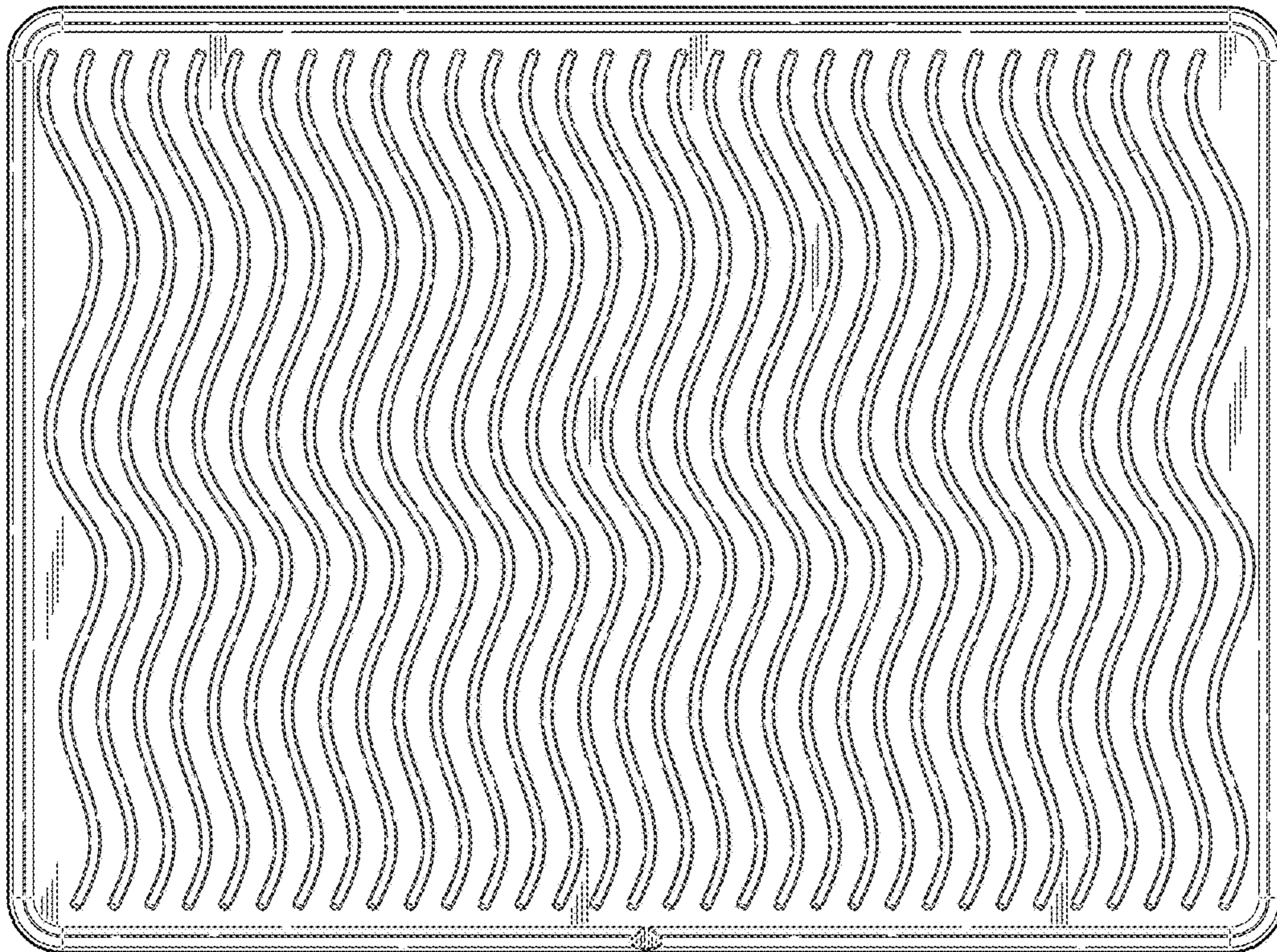




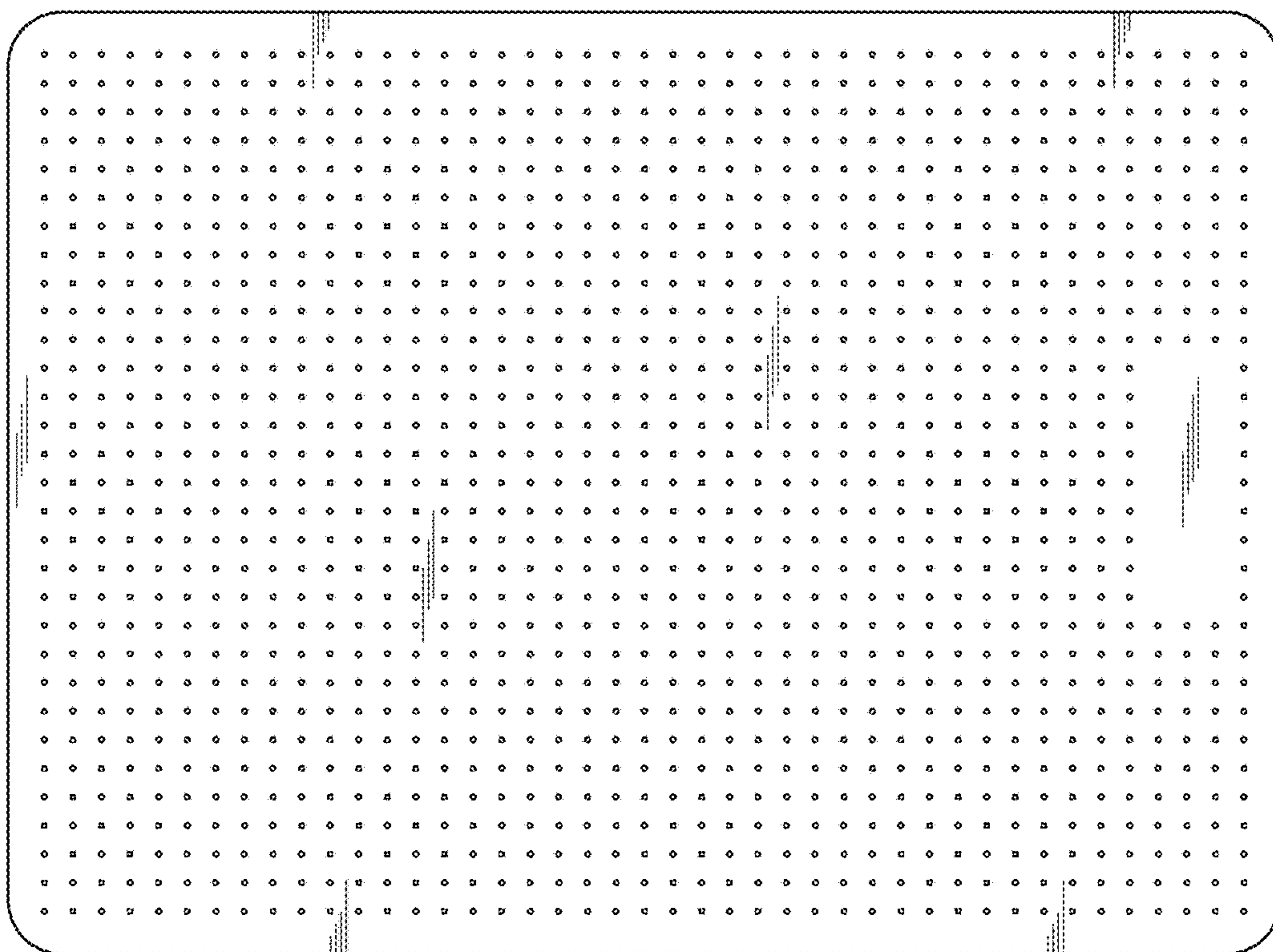
*FIG. 1*



*FIG. 2*



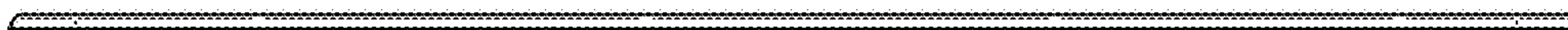
*FIG. 3*



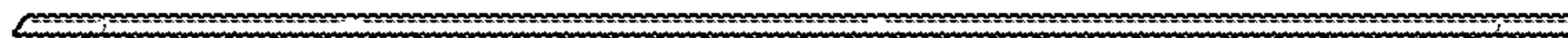
*FIG. 4*



*FIG. 5*



*FIG. 6*



*FIG. 7*