



US00D799758S

(12) **United States Design Patent** (10) **Patent No.:** **US D799,758 S**
Yohai-Giochais (45) **Date of Patent:** **** Oct. 10, 2017**

(54) **PET COLLAR** 4,321,891 A * 3/1982 Moeller A01K 27/001
119/863
(71) Applicant: **Leon Yohai-Giochais**, Piraeus (GR) D344,038 S * 2/1994 Phillips D11/3
D417,040 S * 11/1999 Weick D30/152
(72) Inventor: **Leon Yohai-Giochais**, Piraeus (GR) D431,696 S * 10/2000 Constantino D30/152
D503,997 S * 4/2005 Sanchez, Jr. D30/151
(73) Assignee: **Leon Yohai-Giochais**, Piraeus (GR) D516,755 S * 3/2006 Catalano D30/152
7,185,613 B2 * 3/2007 Arvanitis A01K 27/007
119/857
(**) Term: **15 Years** D578,751 S * 10/2008 Holtzclaw, Jr. D3/224
D691,333 S * 10/2013 Voss D30/152
(21) Appl. No.: **29/582,362** D725,841 S * 3/2015 So D30/152

* cited by examiner

Primary Examiner — Robert M Spear
Assistant Examiner — Kendra L Hamilton
(74) *Attorney, Agent, or Firm* — The Law Office of
Michael E. Kondoudis

(22) Filed: **Oct. 27, 2016**
Related U.S. Application Data
(63) Continuation of application No. 29/528,324, filed on
May 28, 2015, now abandoned.
(51) **LOC (10) Cl.** **30-04**
(52) **U.S. Cl.**
USPC **D30/152**
(58) **Field of Classification Search**
USPC D30/144, 145, 151, 152, 161, 169, 199;
D11/3; D2/894; D8/300; D29/100,
D29/101.1, 101.2, 101.3, 101.5;
D24/190; 119/174, 702, 712, 725, 758,
119/769, 792, 802, 850, 856, 858, 863,
119/865, 907; 54/19.1, 38.1; D3/217,
D3/231
CPC A01K 27/001
See application file for complete search history.

(57) **CLAIM**

The ornamental design for a pet collar, as shown and
described.

DESCRIPTION

FIG. 1 is a front view of a pet collar illustrating the new
design;
FIG. 2 is a back view thereof;
FIG. 3 is a top view thereof;
FIG. 4 is a bottom view thereof;
FIG. 5 is a left side view thereof;
FIG. 6 is a right side view thereof; and,
FIG. 7 is a top perspective view thereof.

(56) **References Cited**
U.S. PATENT DOCUMENTS
1,341,900 A * 6/1920 Hanlon A01K 15/04
119/819
3,131,674 A * 5/1964 Dalton A01K 27/005
119/865

1 Claim, 7 Drawing Sheets

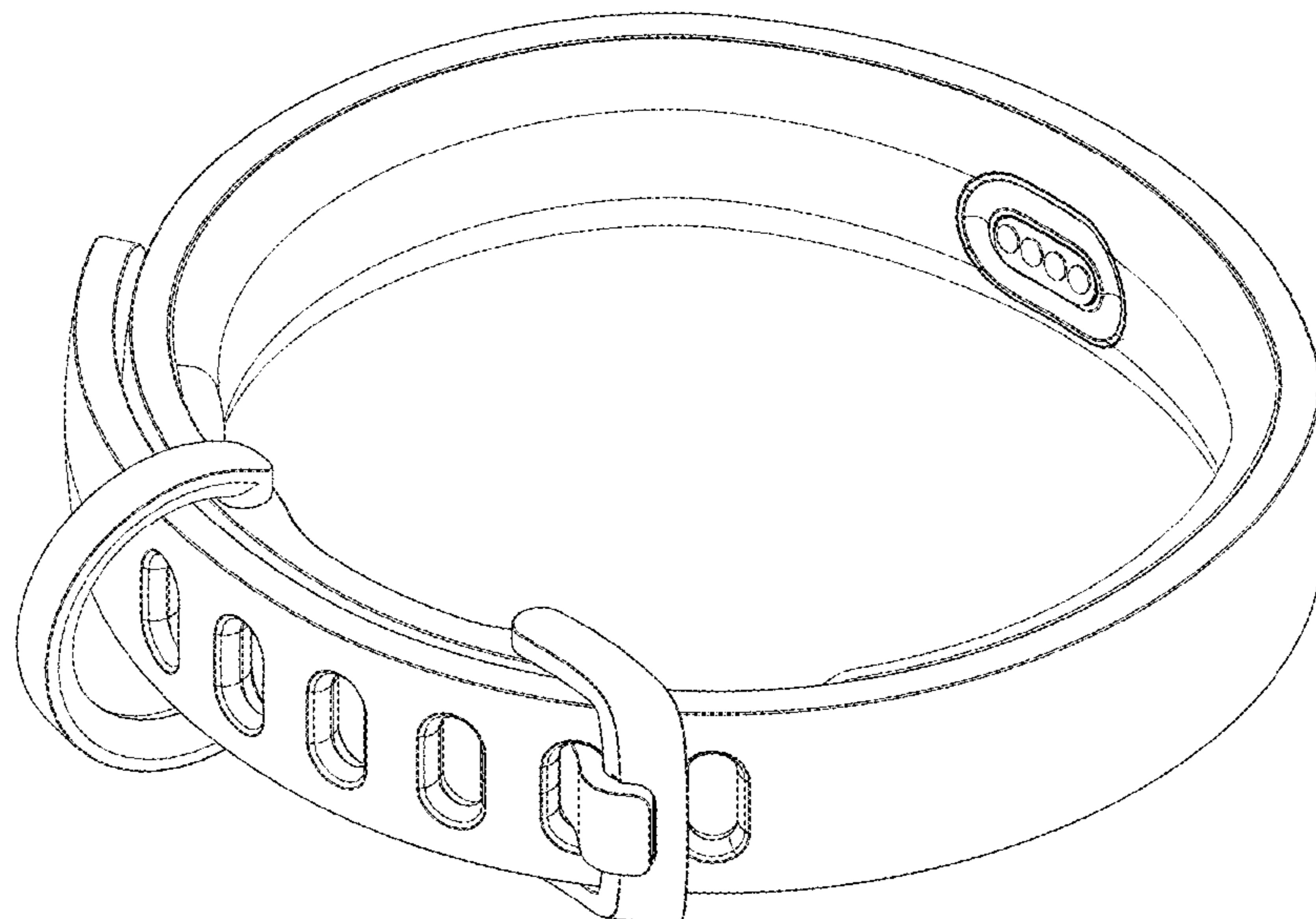


Fig. 1

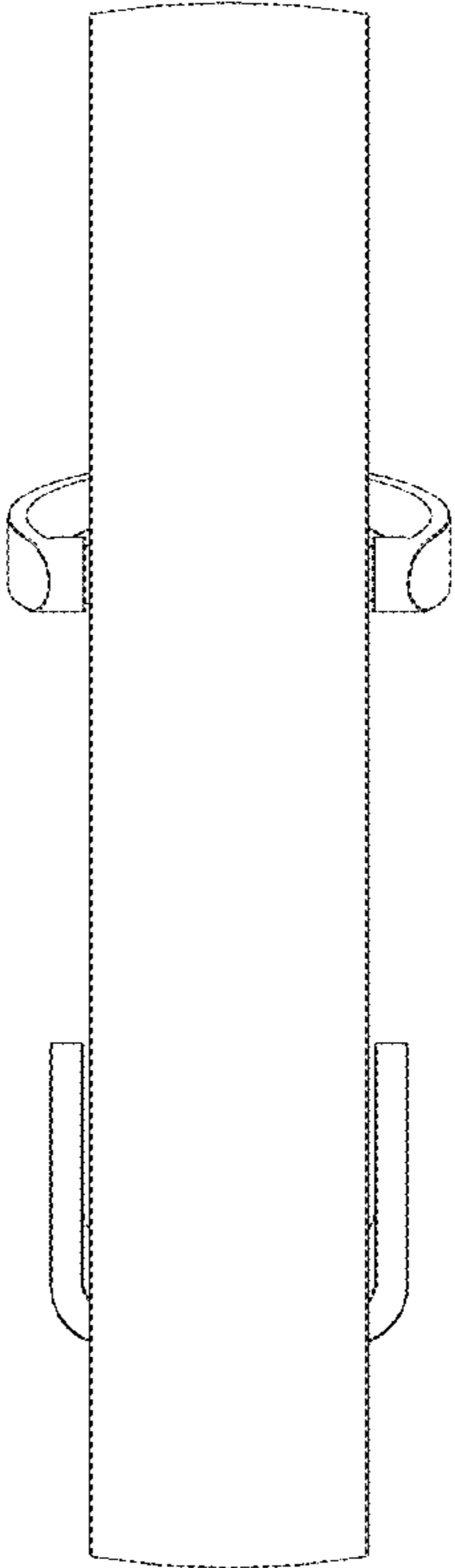


Fig. 2

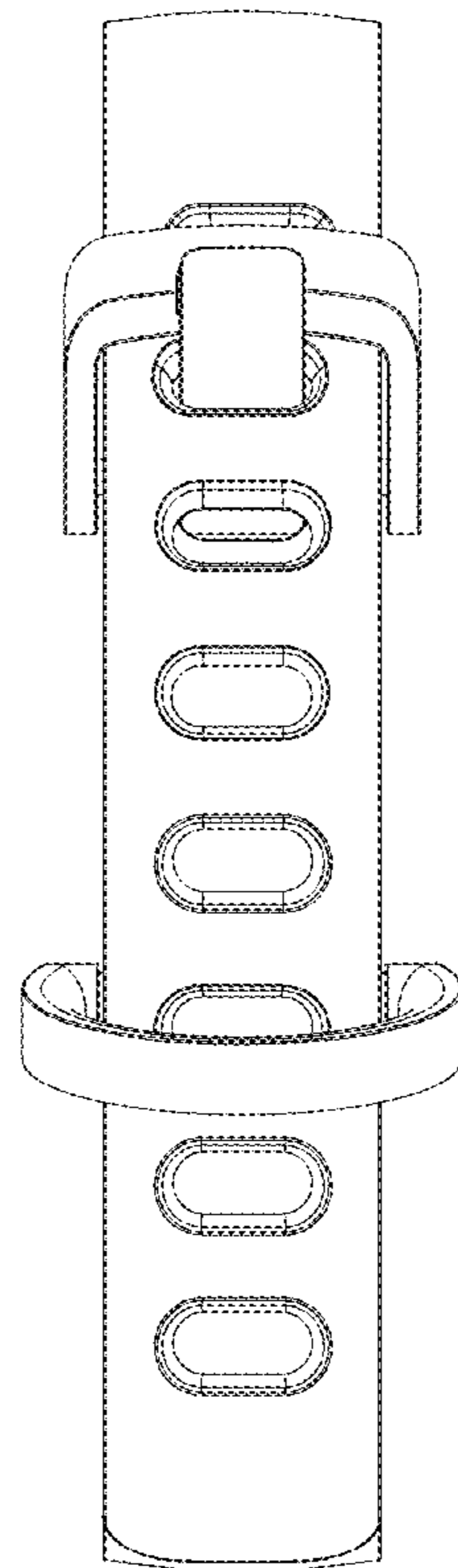


Fig. 3

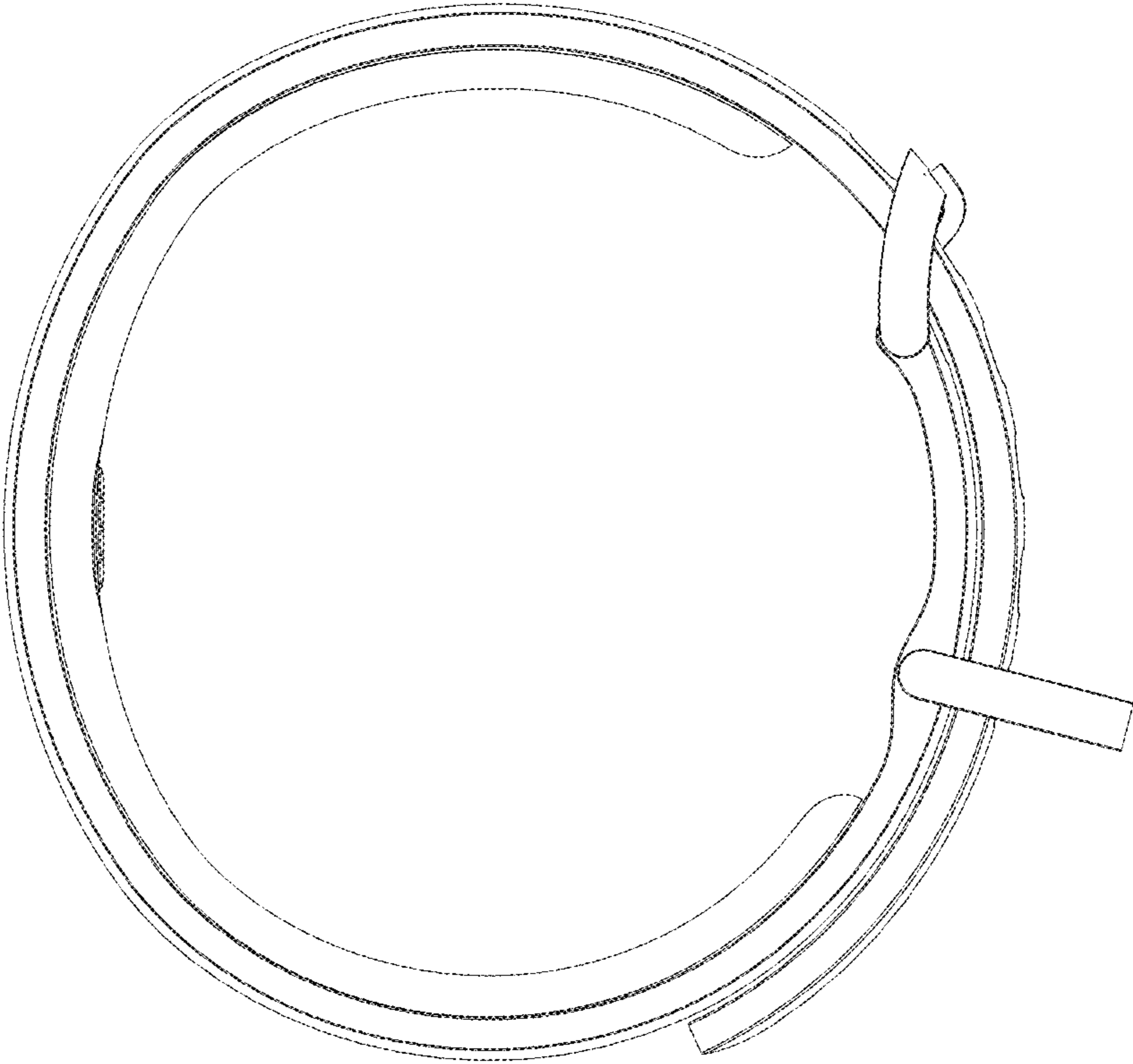


Fig. 4

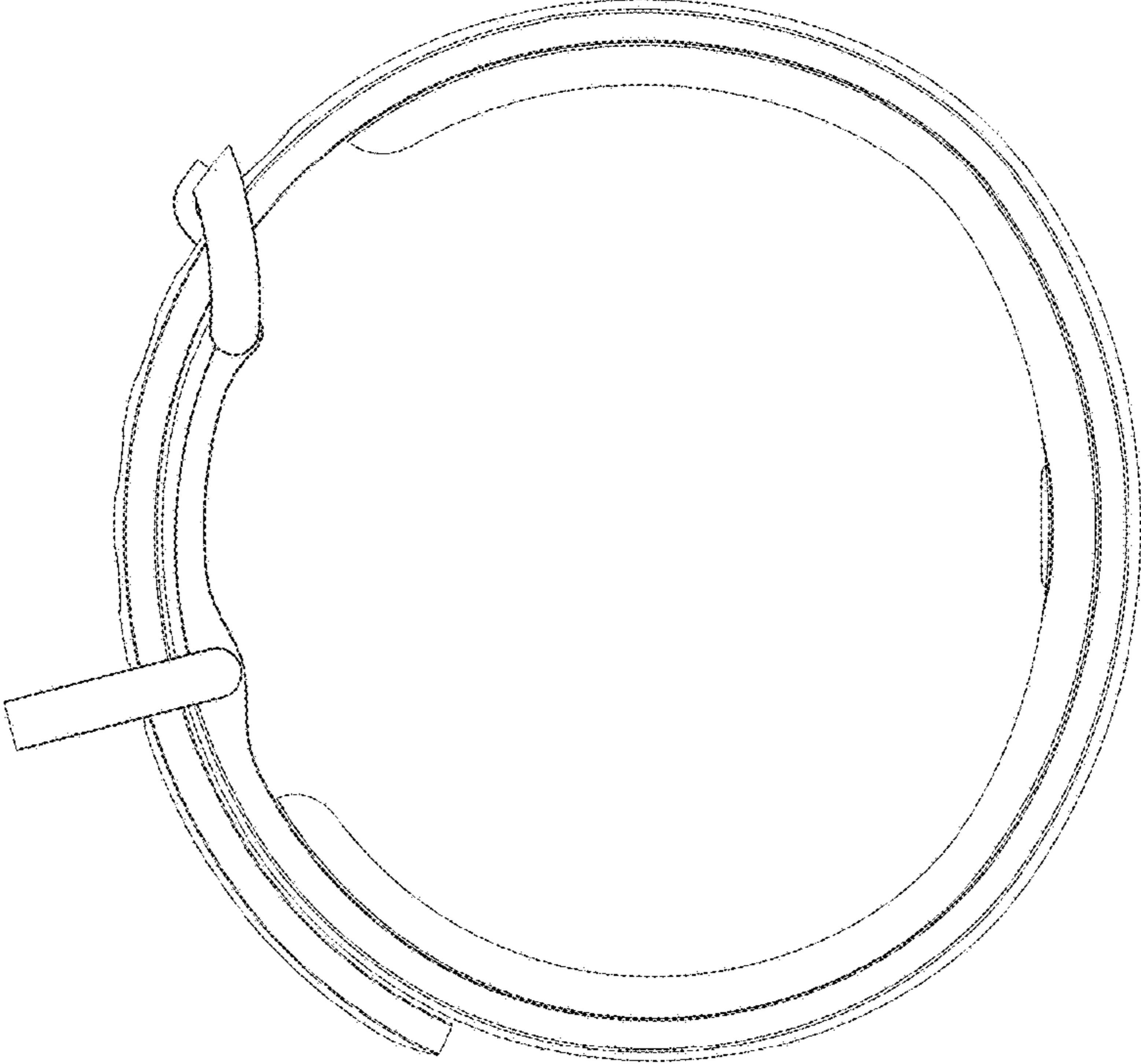


Fig. 5

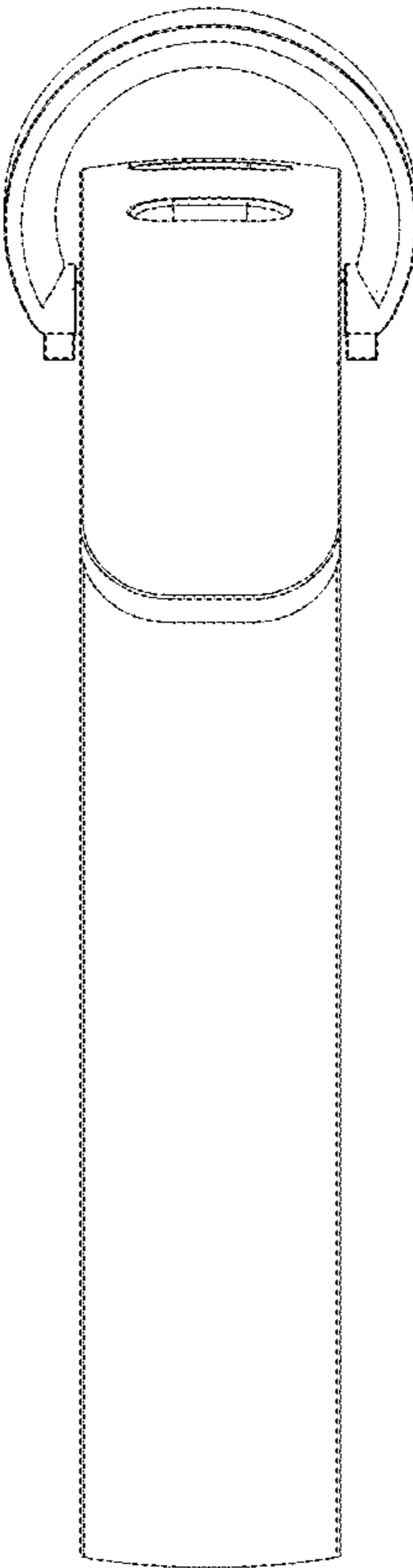


Fig. 6

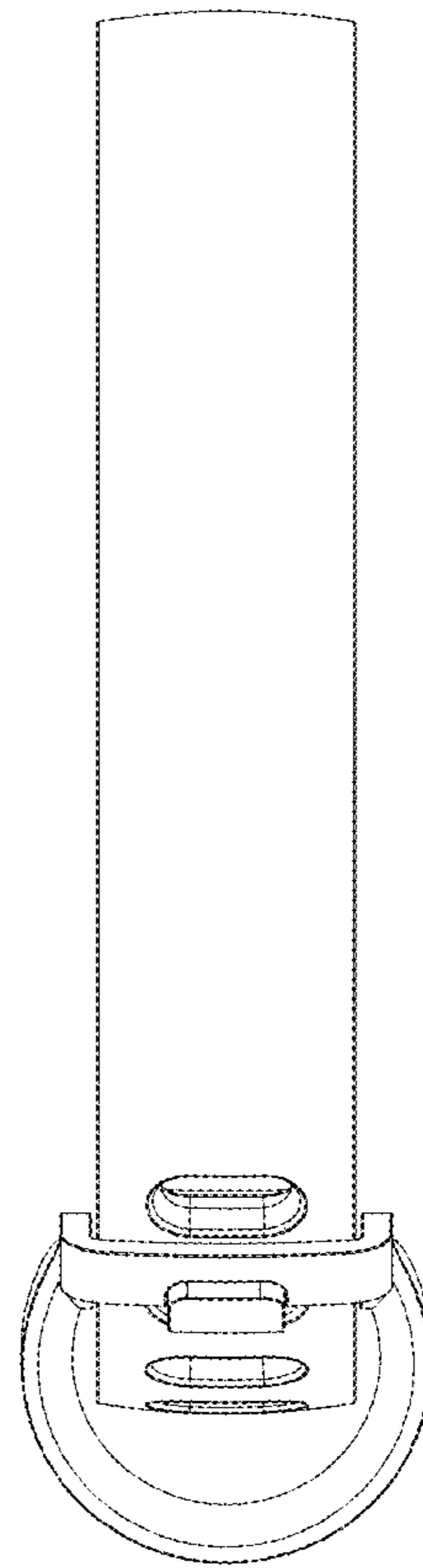


Fig. 7

