



US00D799757S

(12) **United States Design Patent**
Erwin

(10) **Patent No.:** **US D799,757 S**
(45) **Date of Patent:** **** Oct. 10, 2017**

(54) **CANINE KNEE BRACE**

(71) Applicant: **Cathy Erwin**, Santa Cruz, CA (US)

(72) Inventor: **Cathy Erwin**, Santa Cruz, CA (US)

(**) Term: **15 Years**

(21) Appl. No.: **29/583,971**

(22) Filed: **Nov. 10, 2016**

(51) **LOC (10) Cl.** **30-01**

(52) **U.S. Cl.**
USPC **D30/145**

(58) **Field of Classification Search**
USPC D30/144, 145, 146, 151, 199; D24/171,
D24/189, 190, 192; D2/500, 860, 861,
D2/864, 896, 909, 919
CPC A01K 13/006; A01K 13/007
See application file for complete search history.

(56) **References Cited**

U.S. PATENT DOCUMENTS

5,076,043	A *	12/1991	Butler	A01K 13/007 119/850
5,341,765	A *	8/1994	McComb	A01K 13/007 119/850
D375,586	S *	11/1996	Caditz	D30/146
D376,448	S *	12/1996	Caditz	D30/146
5,676,095	A *	10/1997	Ralls	A01K 13/007 D30/145
6,240,882	B1 *	6/2001	Gross	A01K 13/007 119/850
D553,251	S *	10/2007	Watts	D24/192
D692,625	S *	10/2013	Kok-Duson	D30/145
2011/0017151	A1 *	1/2011	Simoni	A01K 13/006 119/850
2012/0247399	A1 *	10/2012	Rivera-Brutto	A61D 9/00 119/850
2013/0008393	A1 *	1/2013	Backman	A61D 9/00 119/850
2015/0245897	A1 *	9/2015	Hasebi	A61D 9/00 119/850
2017/0086424	A1 *	3/2017	Blanchet	A01K 13/007

OTHER PUBLICATIONS

“Kruise Rehab Knee Protector for Dogs”. Found online Aug. 11, 2017 at amazon.com. Page dated Sep. 10, 2015. Retrieved from https://www.amazon.com/Kruise-Rehab-Right-Protector-X-Large/dp/B00Z0UA47E/ref=cm_cr_arp_d_product_top?ie=UTF8.*

(Continued)

Primary Examiner — Robert M. Spear

Assistant Examiner — Kendra L Hamilton

(74) *Attorney, Agent, or Firm* — Dunlap Bennett & Ludwig PLLC

(57) **CLAIM**

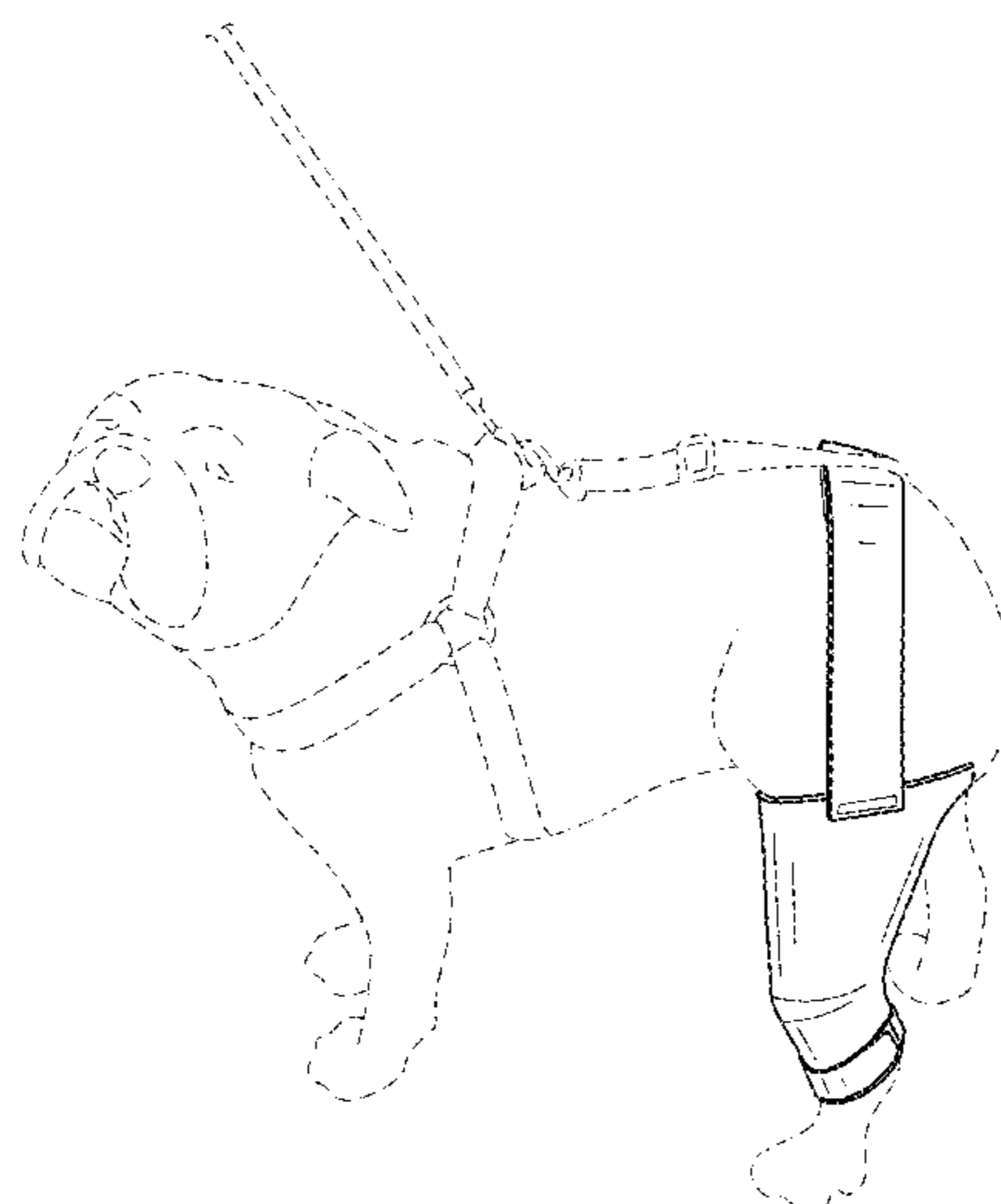
The ornamental design for a canine knee brace, as shown and described.

DESCRIPTION

FIG. 1 is a perspective view of a canine knee brace; FIG. 2 is a front elevation view thereof; FIG. 3 is a rear elevation view thereof; FIG. 4 is a left side elevation view thereof; FIG. 5 is a right side elevation view thereof; FIG. 6 is a top plan view thereof; FIG. 7 is a bottom plan view thereof; and, FIG. 8 is a perspective view of the canine knee brace shown in use.

The evenly-spaced broken lines showing a leashed, harnessed canine in FIG. 8 depict environmental subject matter that forms no part of the claimed design. The evenly-spaced broken lines shown within the knee brace in FIG. 6 depict portions of the canine knee brace that form no part of the claimed design. The dash-dot-dash broken lines at the upper and lower openings of the knee brace represent the boundaries of the claimed design.

1 Claim, 4 Drawing Sheets



(56)

References Cited

OTHER PUBLICATIONS

“Back on Track Therapeutic Dog Rear Leg/Hock Brace”. Found online Aug. 11, 2017 at amazon.com. Page dated Nov. 28, 2013. Retrieved from https://www.amazon.com/Back-Track-Therapeutic-4-75-Inches-Adjustable/dp/B00BZOOBU0/ref=cm_cr_arp_d_product_top?ie=UTF8.*

“Protective Pet Sleeve—Front Leg”. Found online Jan. 6, 2017 at dfordog.co.uk. Page dated Feb. 21, 2014. Retrieved from <http://web.archive.org/web/20140928213902/http://www.dfordog.co.uk/protective-pet-sleeve-front-leg.html>.*

“Elbow Protectors Eases Pressure Sore Problems”. Found online Aug. 11, 2017 at gear.tripawds.com. Page dated Dec. 20, 2013. Retrieved from <http://gear.tripawds.com/2013/12/20/elbow-protectors-eases-pressure-sore-problems/>.*

* cited by examiner

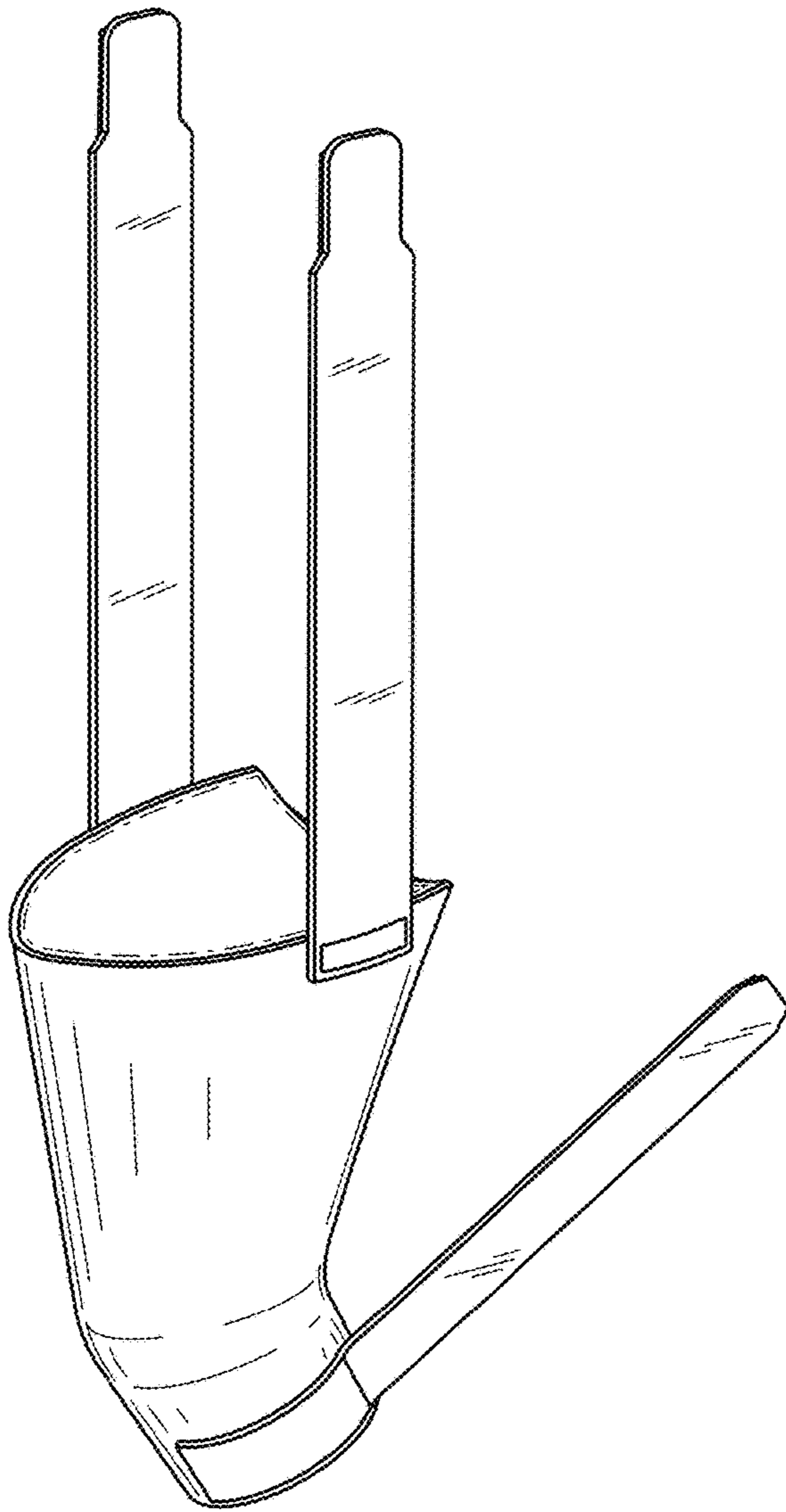


FIG. 1

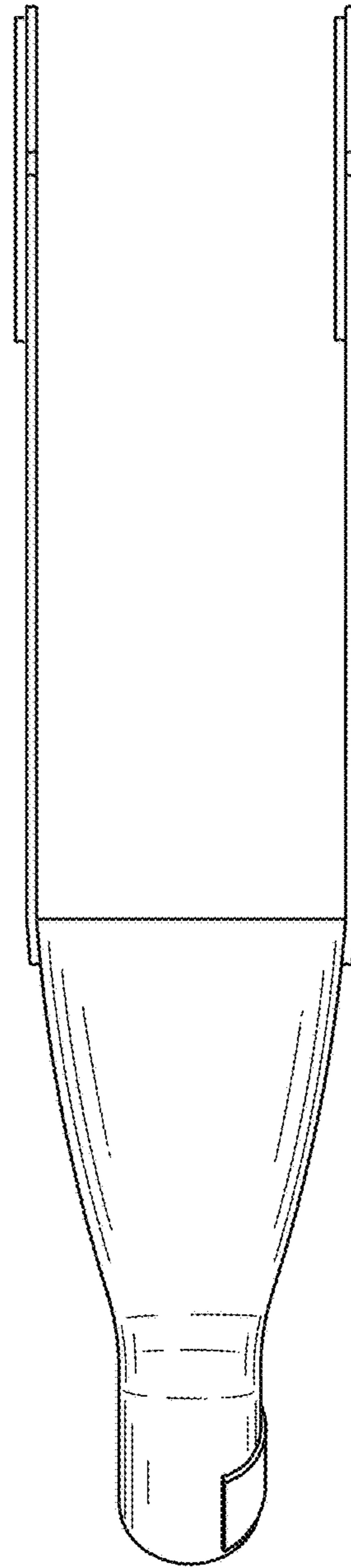


FIG. 2

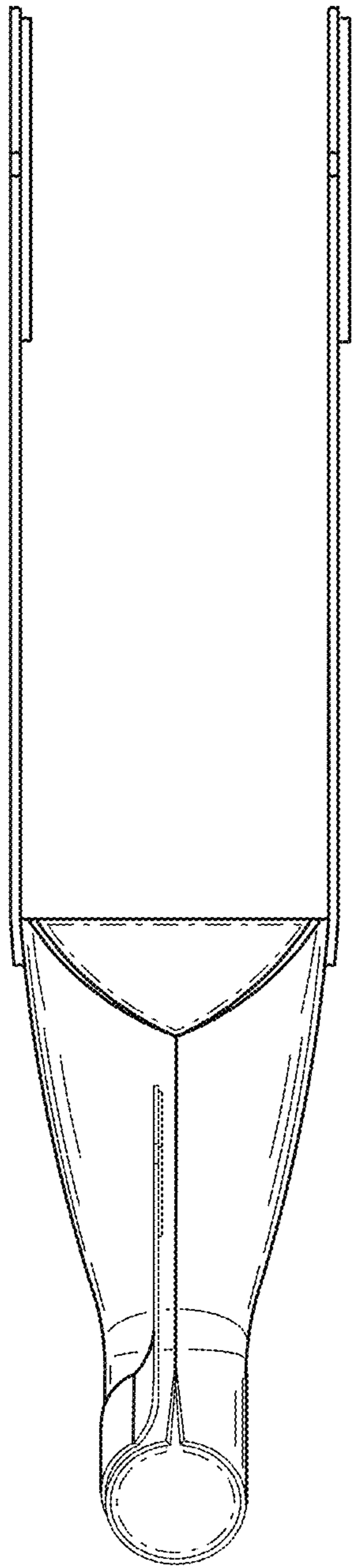


FIG. 3

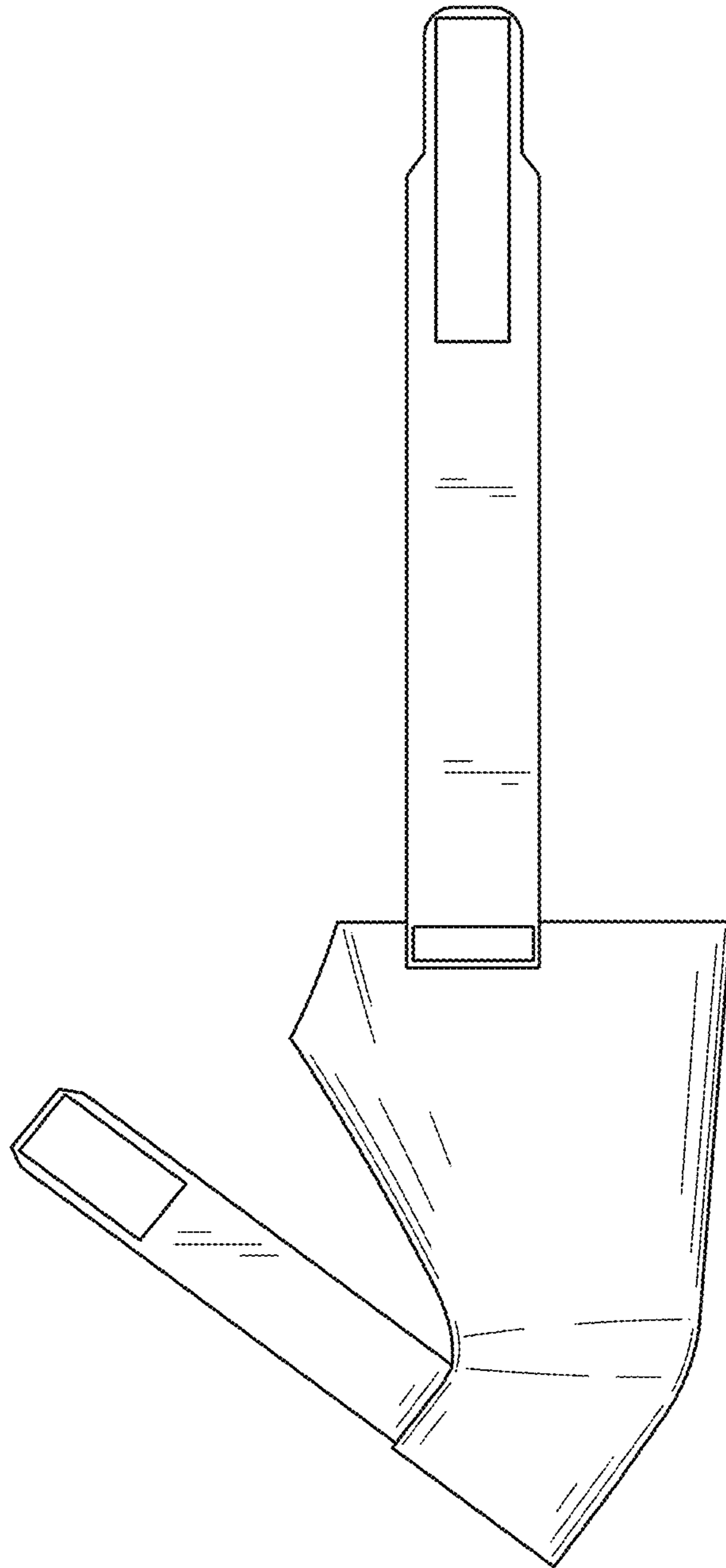


FIG. 4

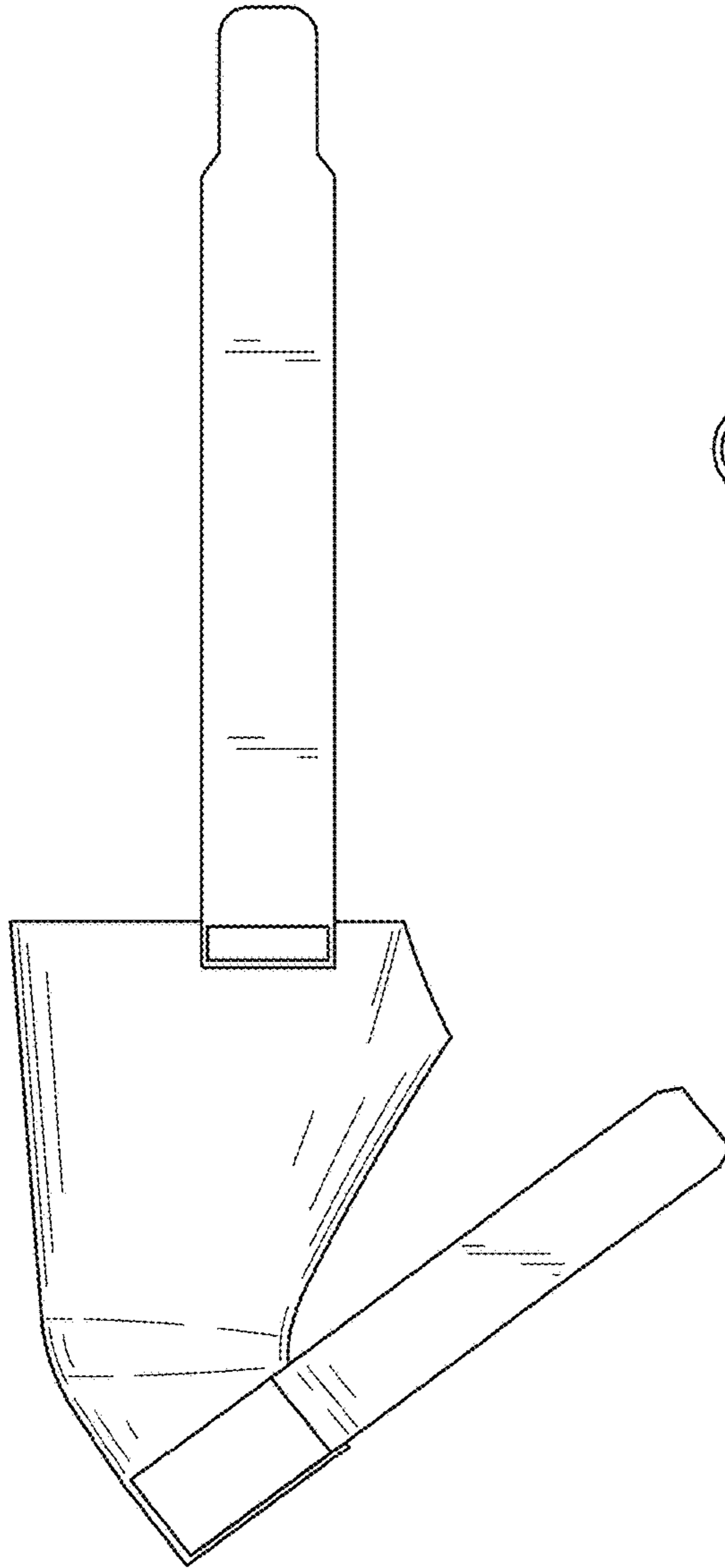


FIG. 5

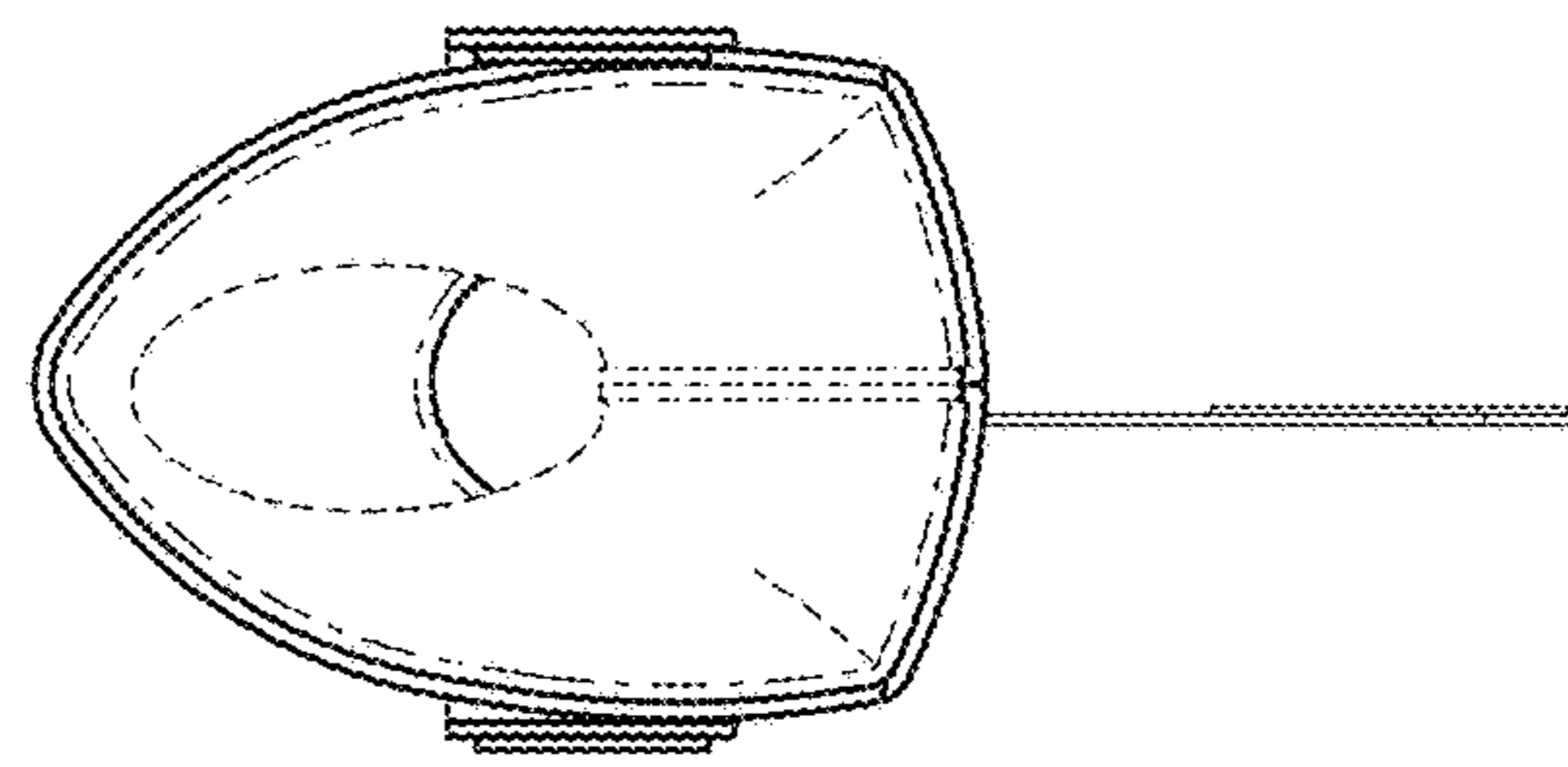


FIG. 6

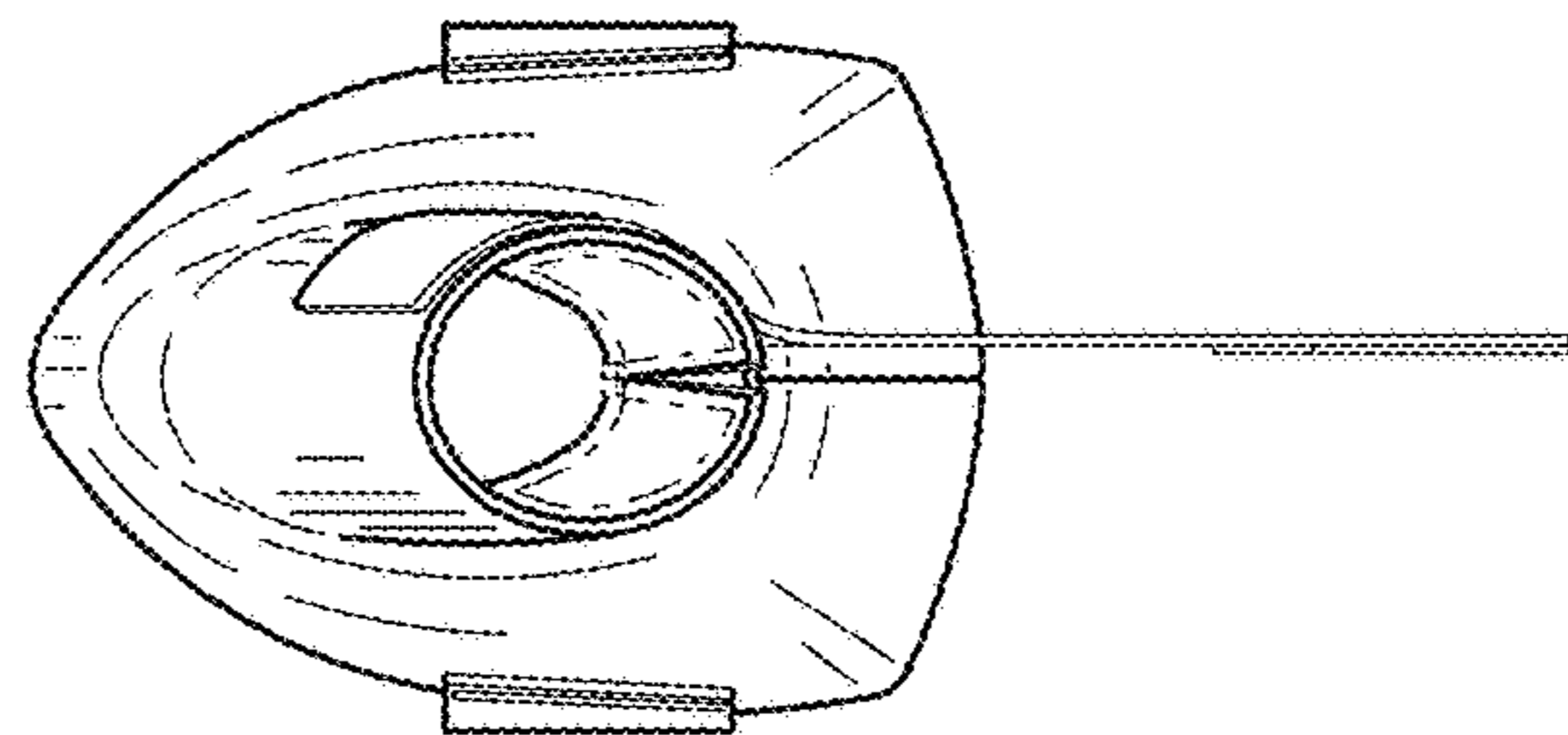


FIG. 7

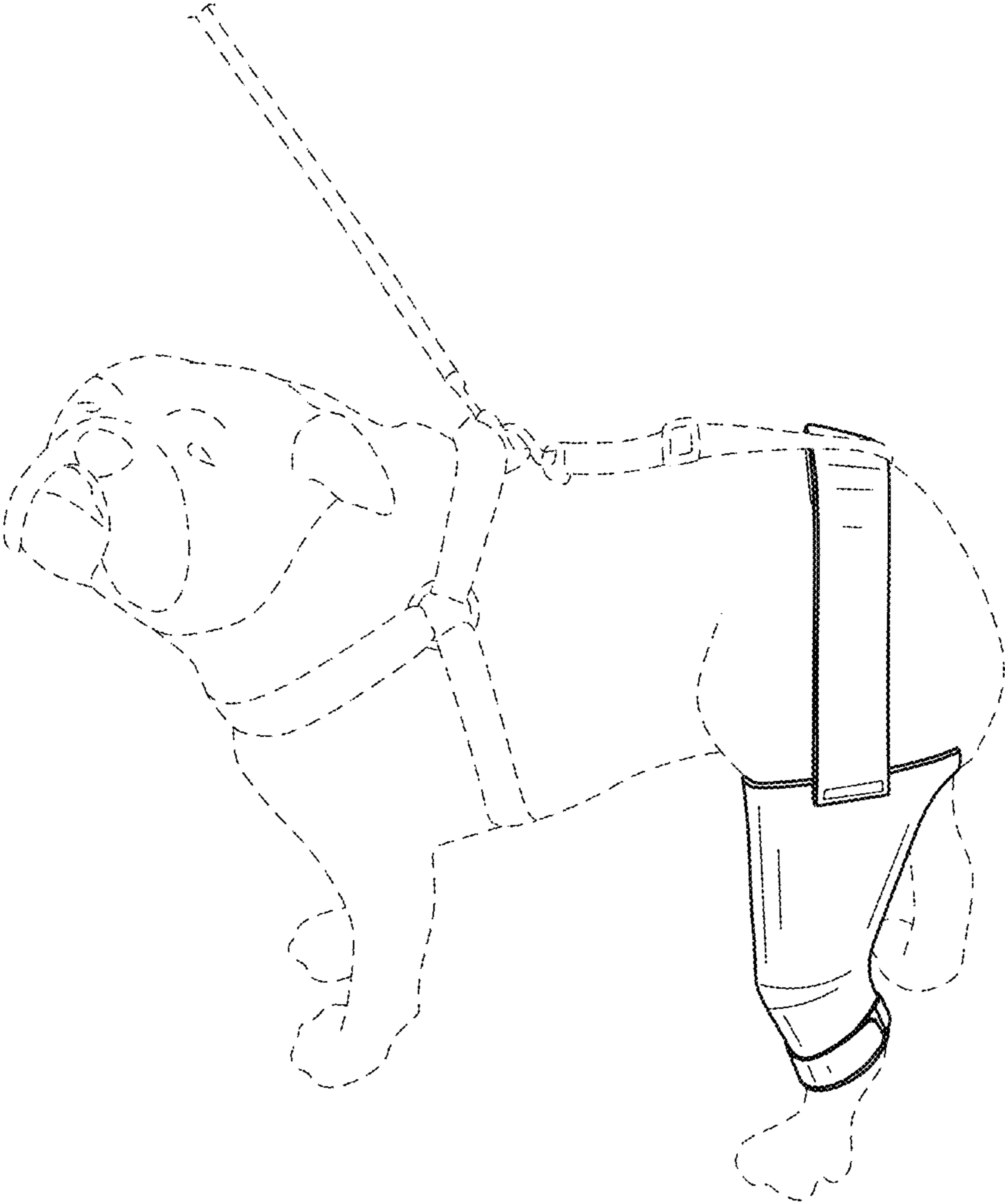


FIG. 8