



US00D799753S

(12) **United States Design Patent** (10) **Patent No.:** **US D799,753 S**
Ishikura et al. (45) **Date of Patent:** **** Oct. 10, 2017**

(54) **ELECTRIC CLIPPER**

FOREIGN PATENT DOCUMENTS

(71) Applicant: **Panasonic Intellectual Property Management Co., Ltd., Osaka (JP)**

JP D1521145 4/2015
JP D1558818 9/2016
JP D1562753 11/2016

(72) Inventors: **Mikiyasu Ishikura, Kyoto (JP); Kyohei Mori, Kyoto (JP)**

OTHER PUBLICATIONS

(73) Assignee: **Panasonic Intellectual Property Management Co., Ltd., Osaka (JP)**

Anemone | Rakuten Global Market: Panasonic Panasonic Proline Clippers ER1610P-K, reviewed Jul. 2, 2012, 4 pages, <https://global.rakuten.com/en/store/anemone-c/item/10002430/> [Aug. 7, 2017 11:56:29 AM].*

(**) Term: **15 Years**

* cited by examiner

(21) Appl. No.: **29/587,166**

Primary Examiner — Jennifer Rivard

(22) Filed: **Dec. 9, 2016**

(74) *Attorney, Agent, or Firm* — Panasonic IP Management; Kerry S. Culpepper

(51) **LOC (10) Cl.** **28-03**

(57) **CLAIM**

(52) **U.S. Cl.**

USPC **D28/53**

We claim the ornamental design for an electric clipper, as shown and described.

(58) **Field of Classification Search**

USPC D28/49-54

CPC B26B 19/00-19/107

See application file for complete search history.

DESCRIPTION

(56) **References Cited**

U.S. PATENT DOCUMENTS

D500,890 S 1/2005 Muramatsu
D573,756 S * 7/2008 Nielsen D28/53
D674,556 S * 1/2013 Weinberg D28/53
D720,888 S * 1/2015 Colle D28/53
D721,205 S * 1/2015 Colle D28/53
D749,786 S * 2/2016 Werner D28/53
D784,618 S * 4/2017 Mori D28/53
D784,619 S * 4/2017 Mori D28/53

FIG. 1 is a front perspective view of an electric clipper of the present invention;

FIG. 2 is a rear perspective view thereof;

FIG. 3 is a front view thereof;

FIG. 4 is a rear view thereof;

FIG. 5 is a first side view thereof;

FIG. 6 is a second side view thereof;

FIG. 7 is a top view thereof; and,

FIG. 8 is a bottom view thereof.

The broken lines illustrate portions of the electric clipper and form no part of the claimed design.

1 Claim, 8 Drawing Sheets

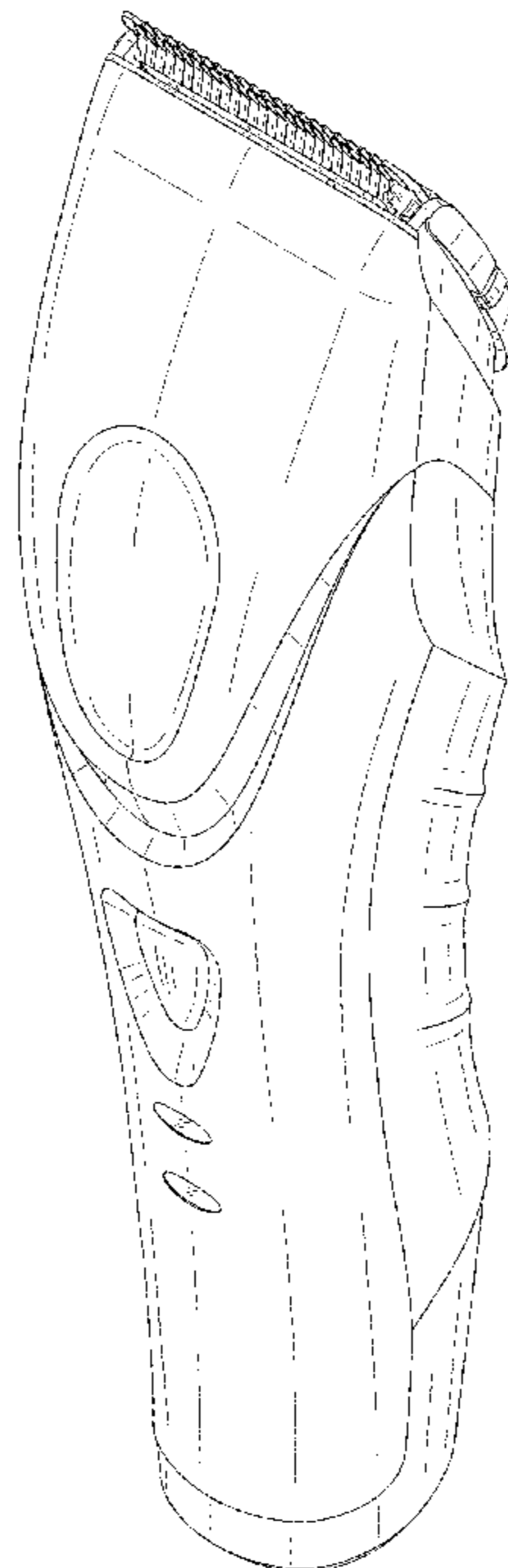


FIG. 1

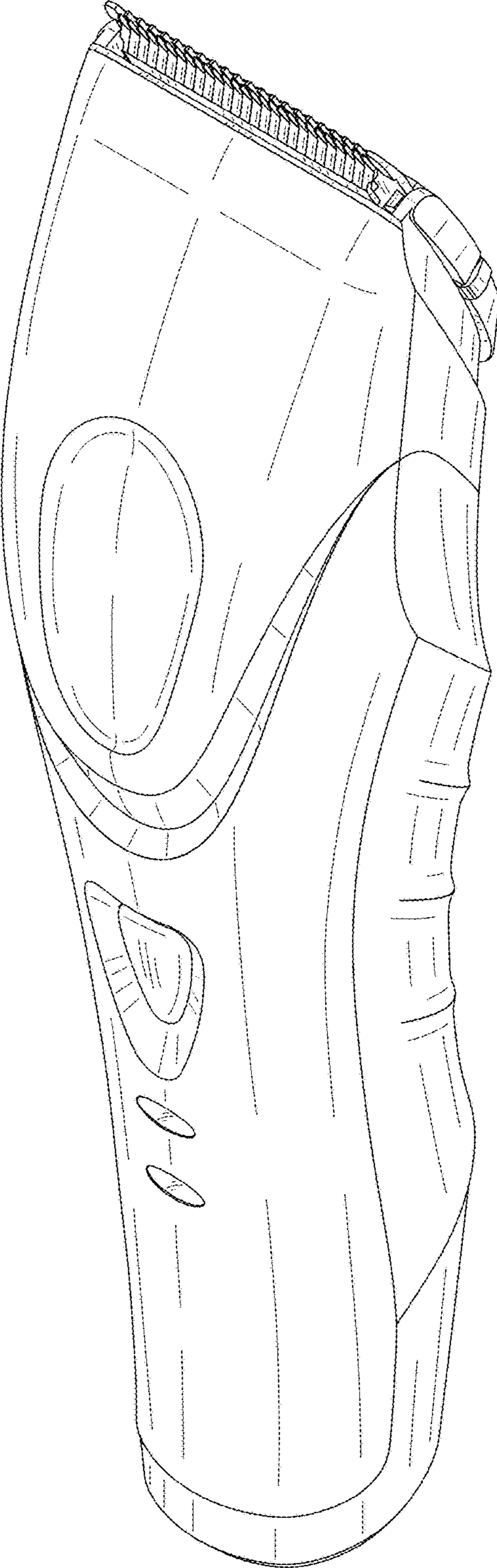


FIG. 2

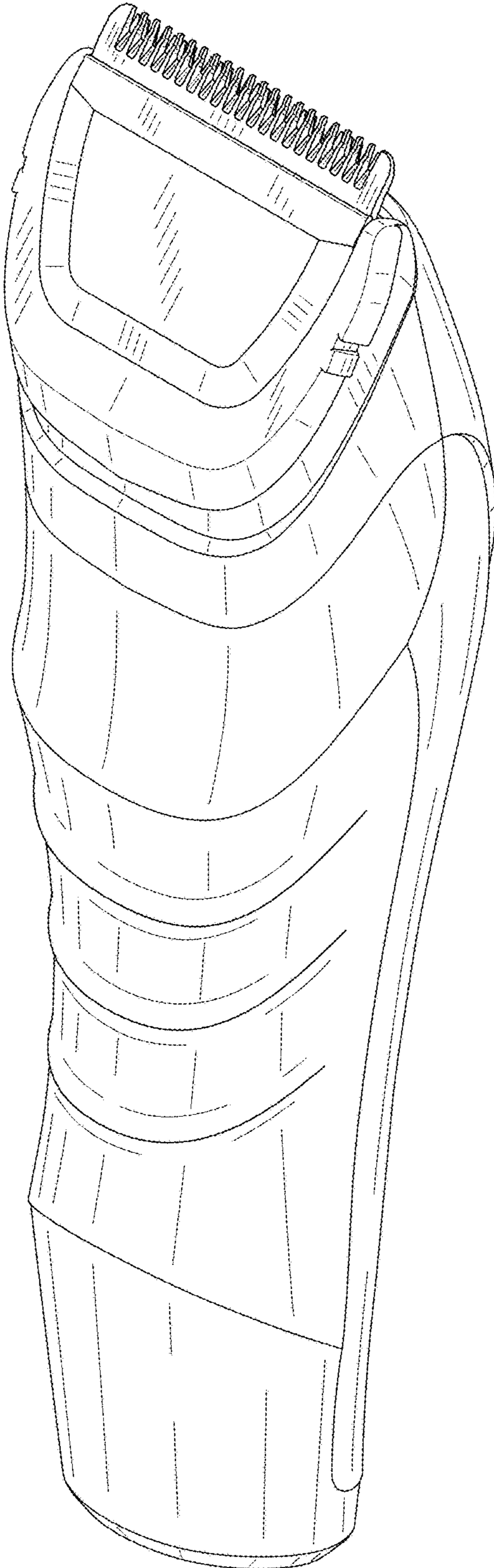


FIG. 3

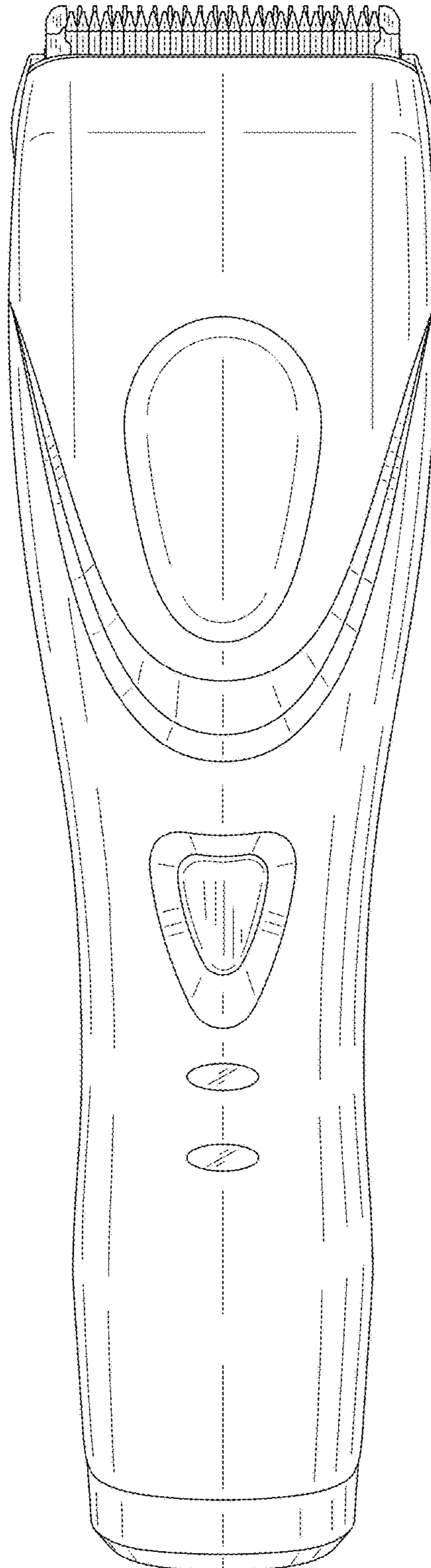


FIG. 4

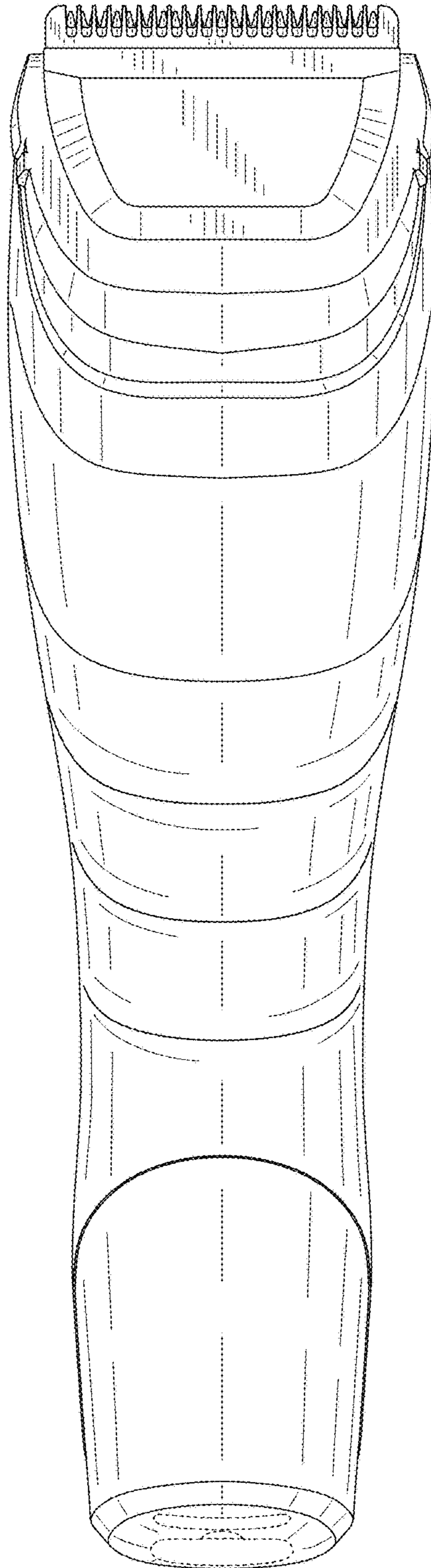


FIG. 5

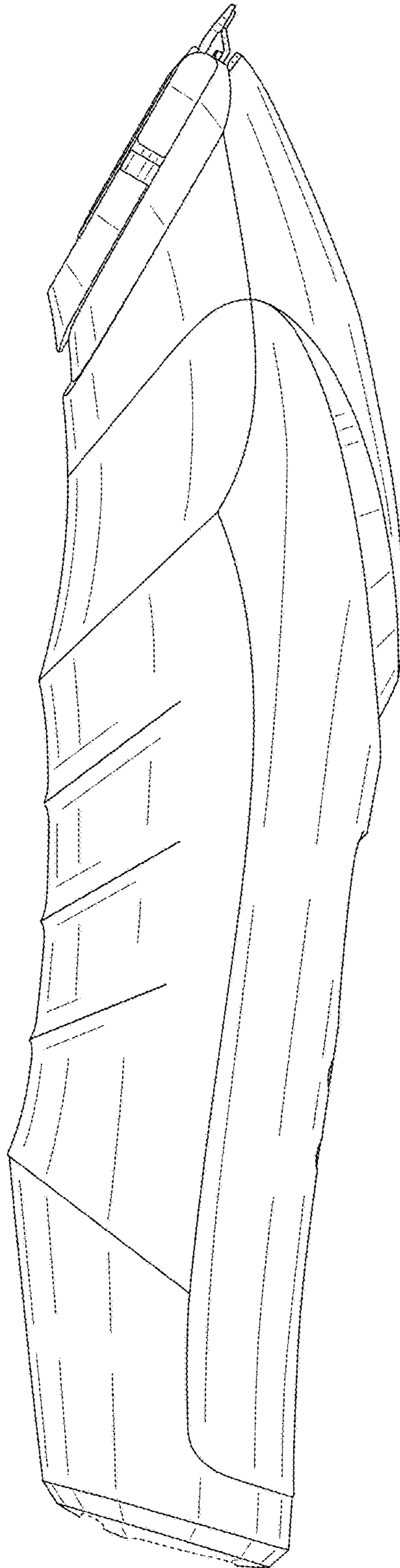


FIG. 6

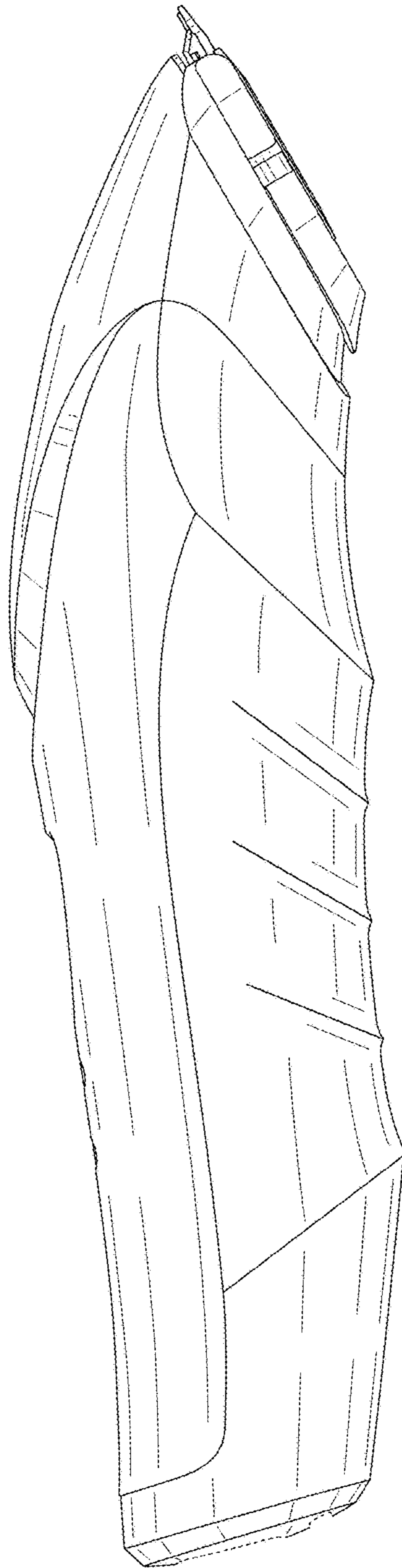


FIG. 7

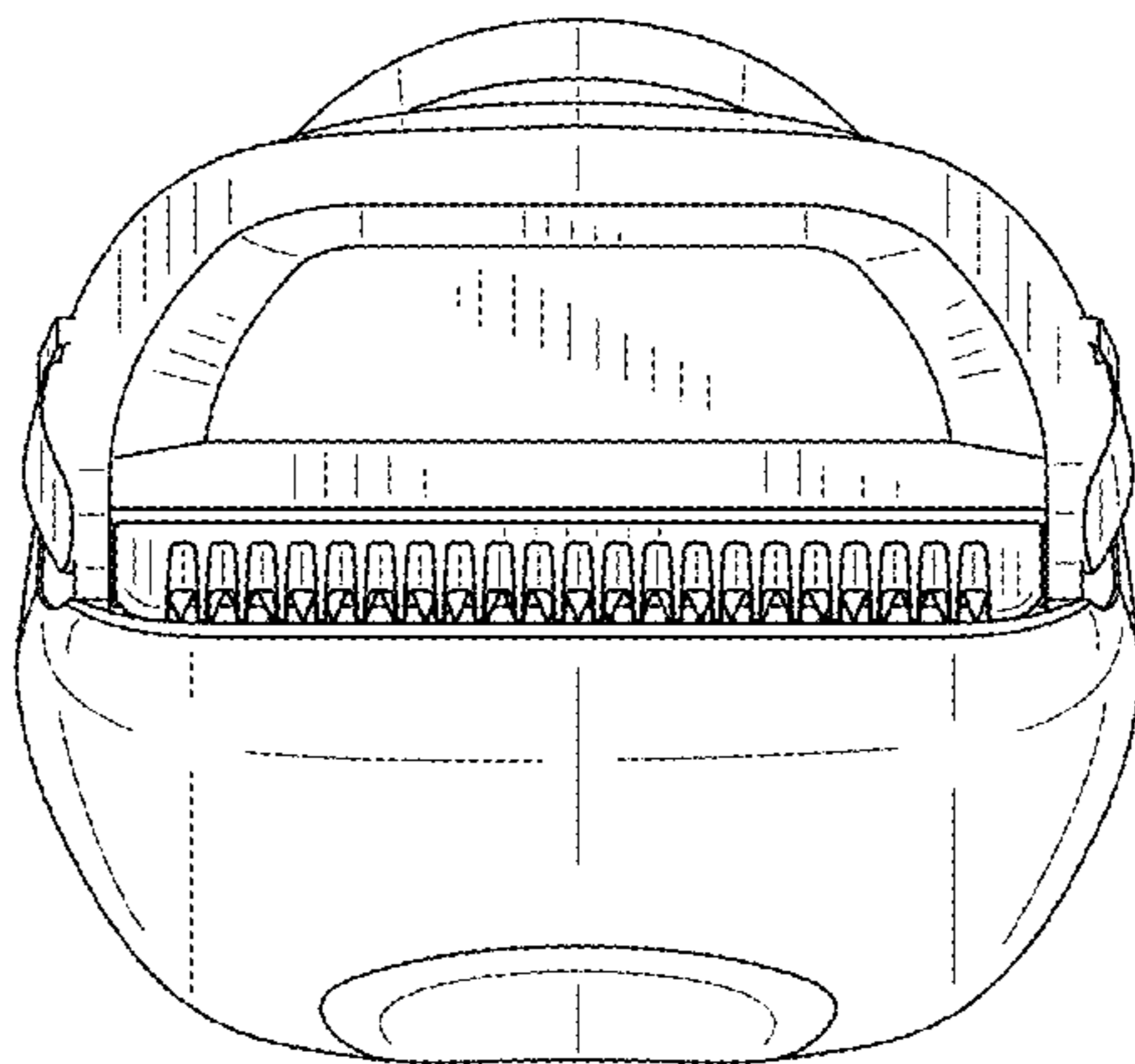


FIG. 8

