



US00D799751S

(12) **United States Design Patent** (10) **Patent No.:** **US D799,751 S**  
**Cho** (45) **Date of Patent:** **\*\* Oct. 10, 2017**

(54) **HAIR IRON WITH REMOVABLE CLIP**

(71) Applicant: **UNIL Electronics Corp.**, Seoul (KR)

(72) Inventor: **Ok-nam Cho**, Seoul (KR)

(73) Assignee: **UNIL Electronics Corp.**, Seoul (KR)

(\*\*) Term: **15 Years**

(21) Appl. No.: **29/541,611**

(22) Filed: **Oct. 6, 2015**

(30) **Foreign Application Priority Data**

May 8, 2015 (KR) ..... 30-2015-0023615

(51) **LOC (10) Cl.** ..... **28-03**

(52) **U.S. Cl.**  
USPC ..... **D28/35**

(58) **Field of Classification Search**  
USPC ..... D28/10, 35  
CPC ... A45D 1/00-1/28; A45D 2/00-2/002; A45D  
2/36-2/367; A45D 4/00-4/18  
See application file for complete search history.

(56) **References Cited**

**U.S. PATENT DOCUMENTS**

D264,258 S *	5/1982	Zago	.....	D28/35
4,604,514 A *	8/1986	Thaler	.....	A45D 1/10 132/232
D300,375 S *	3/1989	Birks	.....	D28/35
D321,412 S *	11/1991	Montagnino	.....	D28/35
D321,952 S *	11/1991	Montagnino	.....	D28/35
2016/0374445 A1 *	12/2016	Cho	.....	A45D 1/10 132/232

**OTHER PUBLICATIONS**

“We tried this celebrity hairstylists new curling iron” article by Stephanie Saltzman, www.Allure.com, Jul. 28, 2015, 2 pages.\*  
Google image search for “marcel curling iron” before May 7, 2014, 2 pages, downloaded Feb. 14, 2017.\*

\* cited by examiner

*Primary Examiner* — Jennifer Rivard

(74) *Attorney, Agent, or Firm* — Sughrue Mion, PLLC

(57) **CLAIM**

I claim the ornamental design for a hair iron with removable clip, as shown and described.

**DESCRIPTION**

FIG. 1 is a perspective view of the claimed design;  
FIG. 2 is a front view of the claimed design;  
FIG. 3 is a rear view of the claimed design;  
FIG. 4 is a left side view of the claimed design;  
FIG. 5 is a right side view of the claimed design;  
FIG. 6 is a top plan view of the claimed design;  
FIG. 7 is a bottom plan view of the claimed design;  
FIG. 8 is a front view of the claimed design in an open state;  
FIG. 9 is a front view of the claimed design in a closed state with the design resting on a support surface;  
FIG. 10 illustrates the claimed design in a state of use;  
FIG. 11 illustrates the claimed design in a state of use with the clip removed; and,  
FIG. 12 is a perspective view of the claimed design in an exploded state.  
The broken lines illustrate the environment and form no part of the claimed design.

**1 Claim, 7 Drawing Sheets**

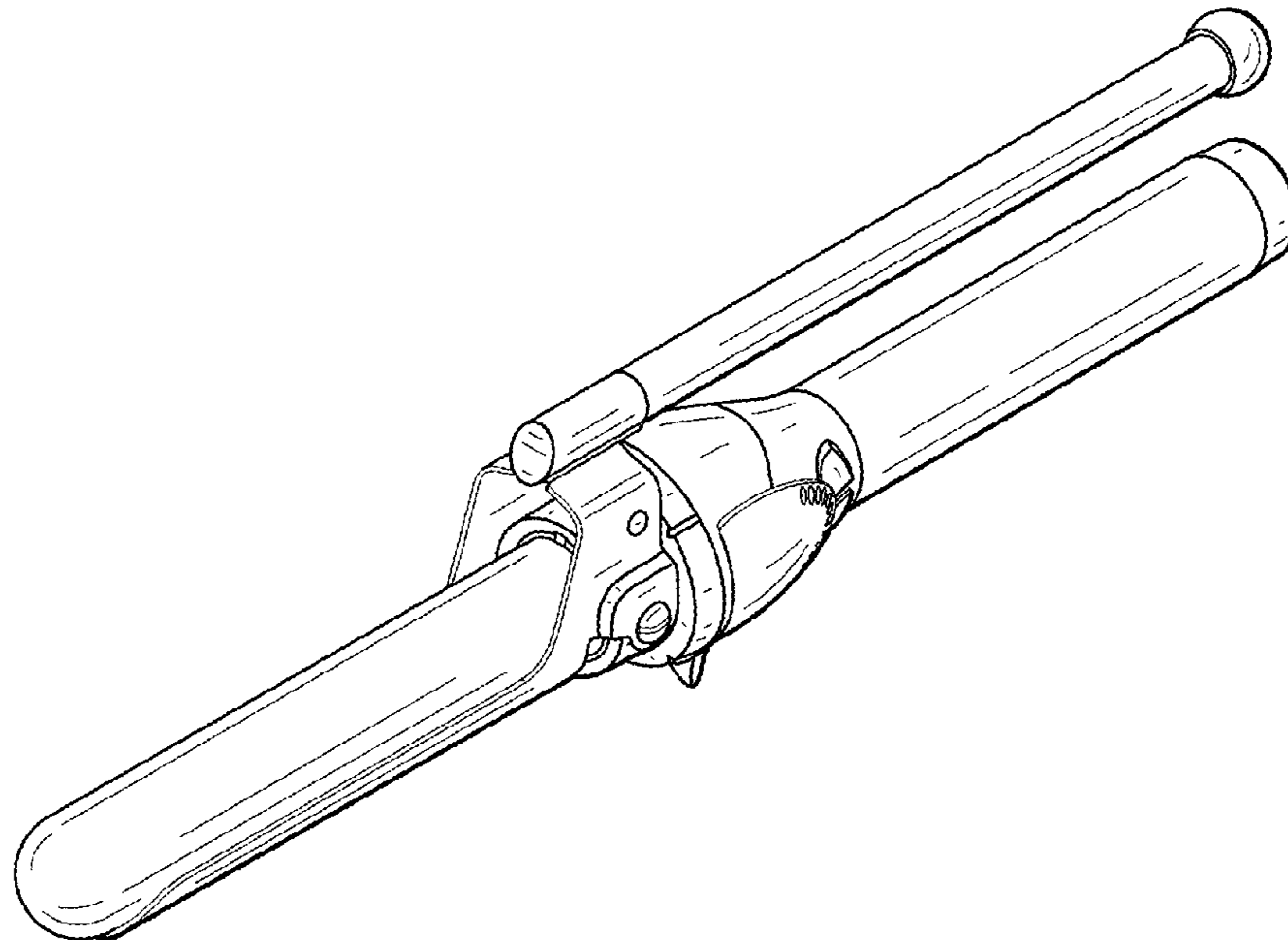


FIG. 1

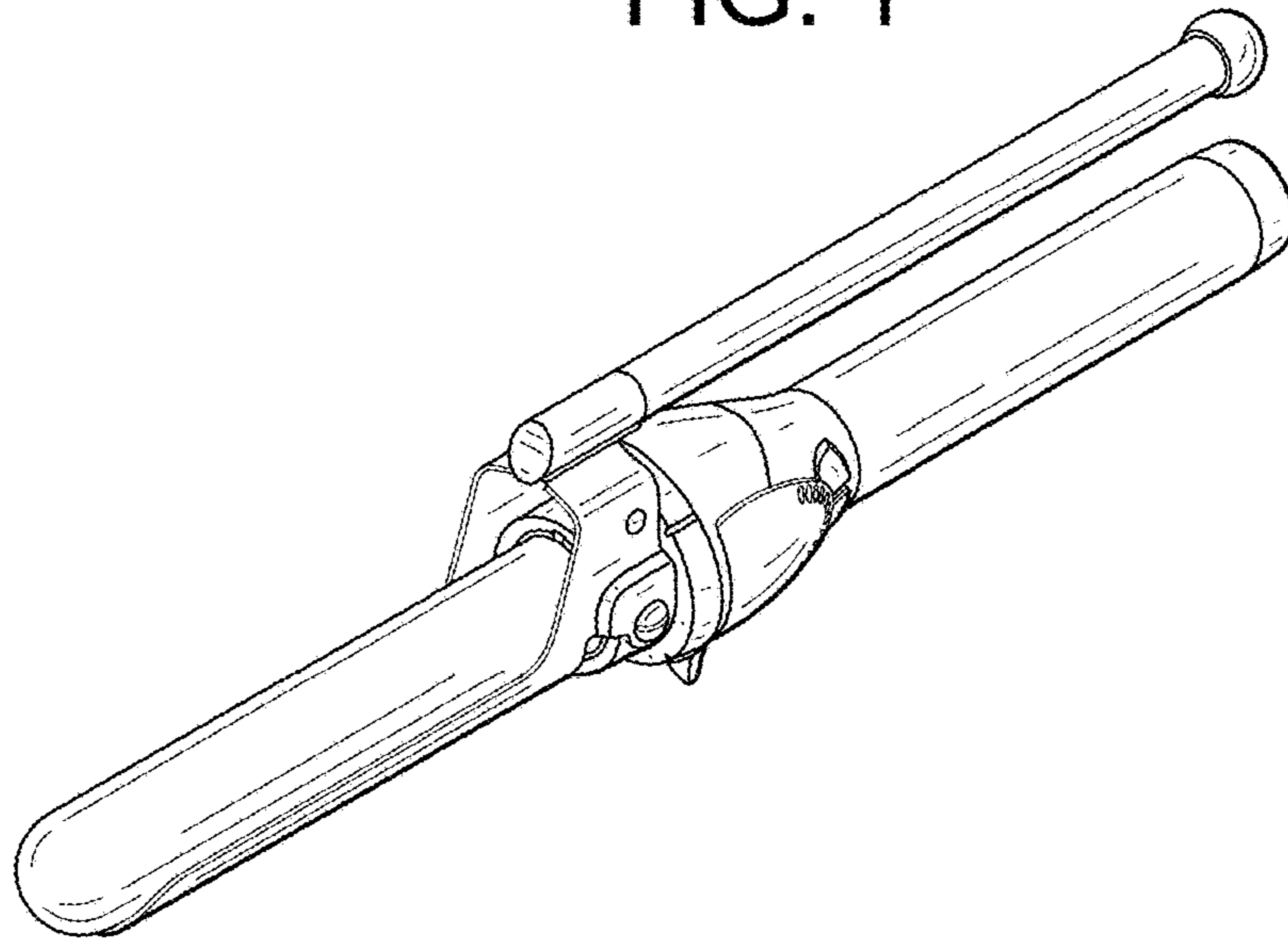


FIG. 2

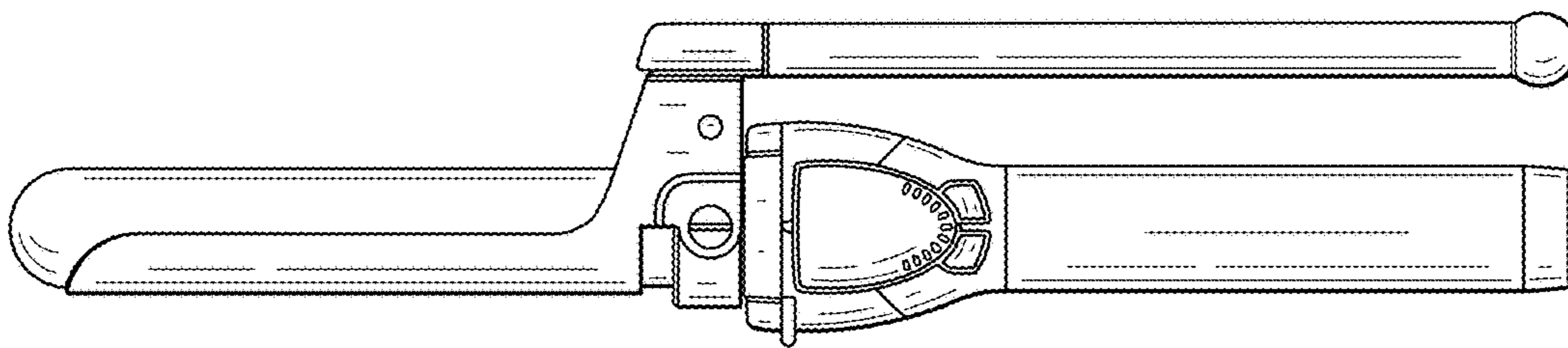


FIG. 3

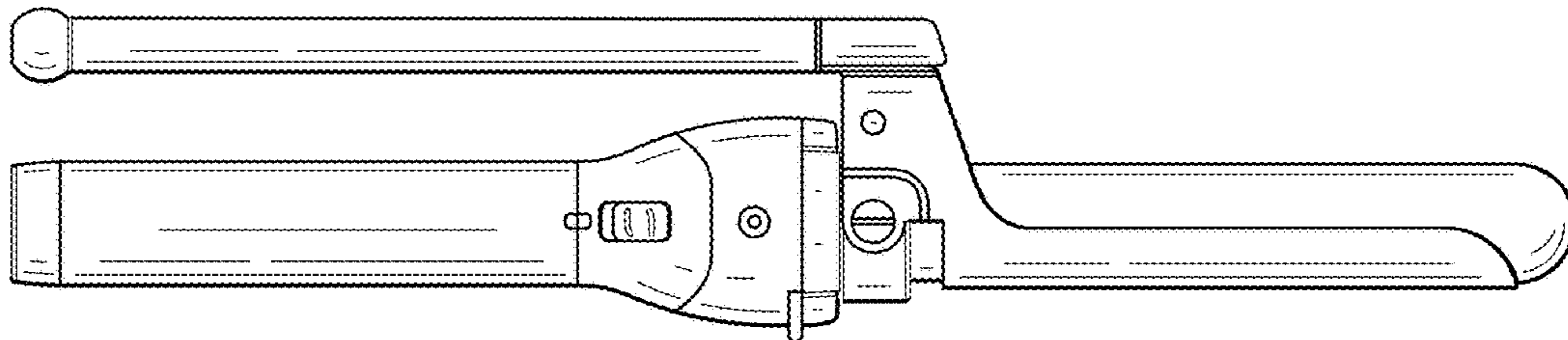


FIG. 4

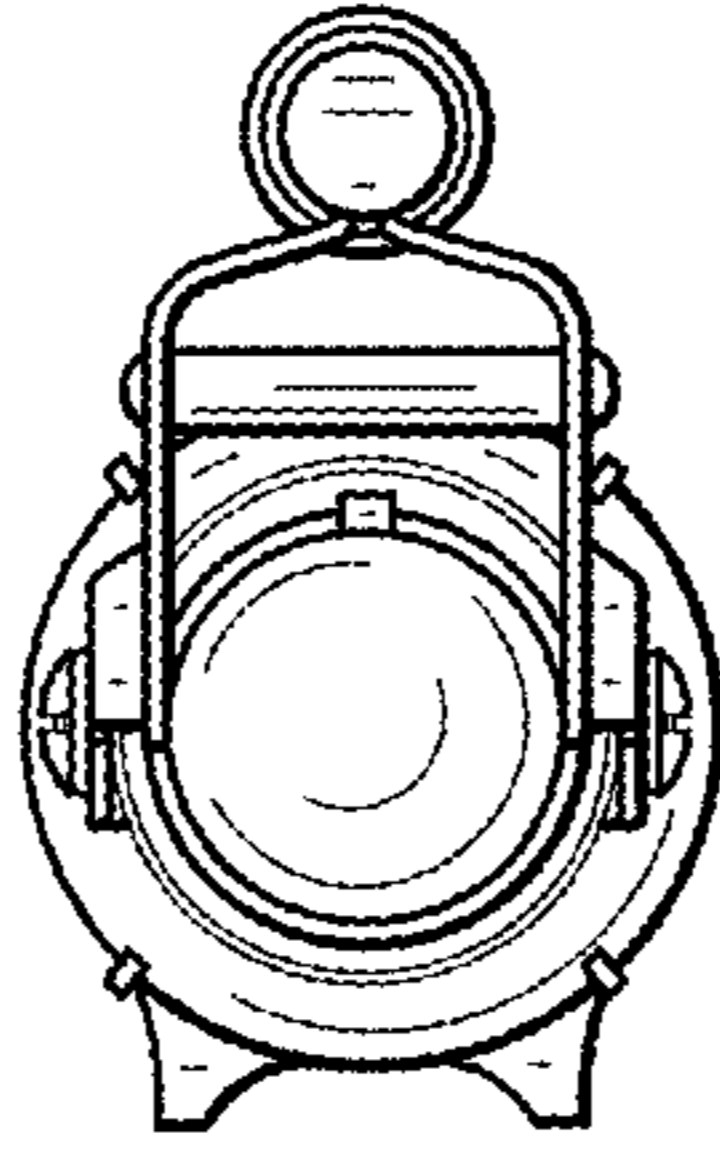


FIG. 5

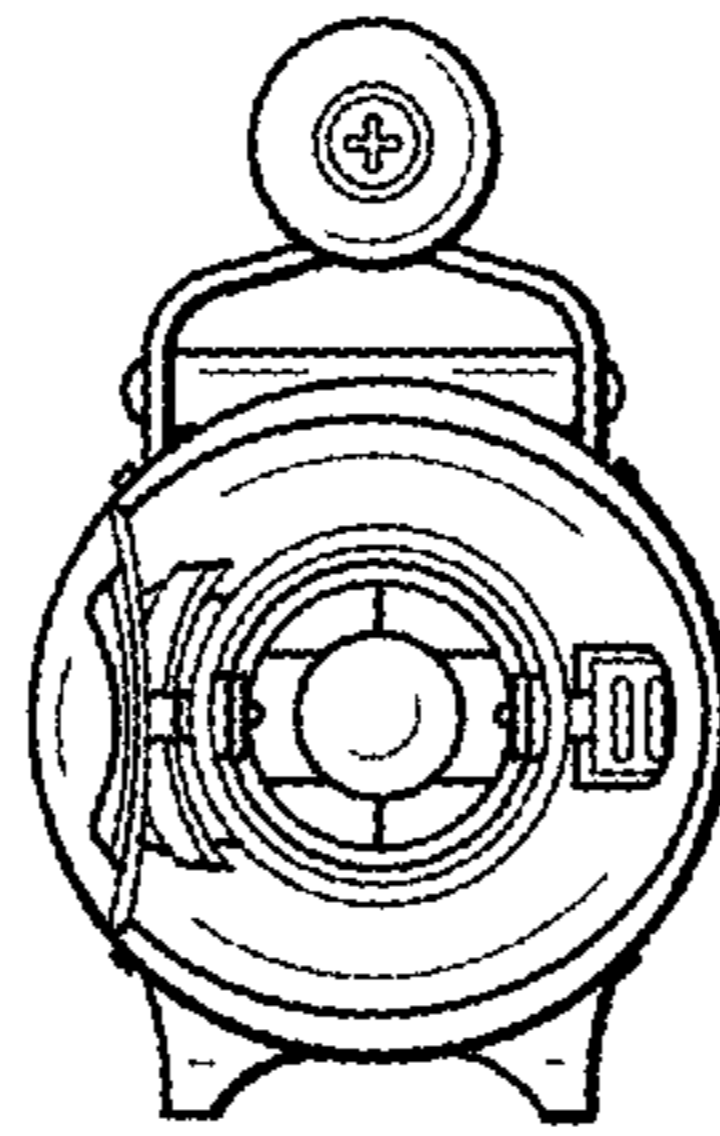


FIG. 6

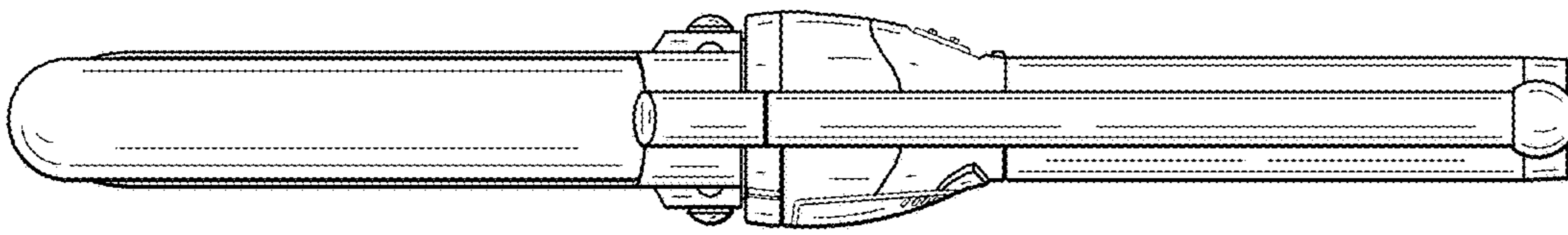


FIG. 7

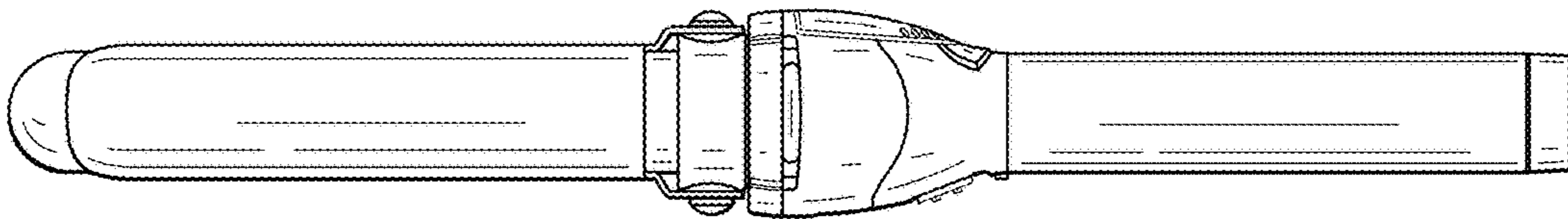


FIG. 8

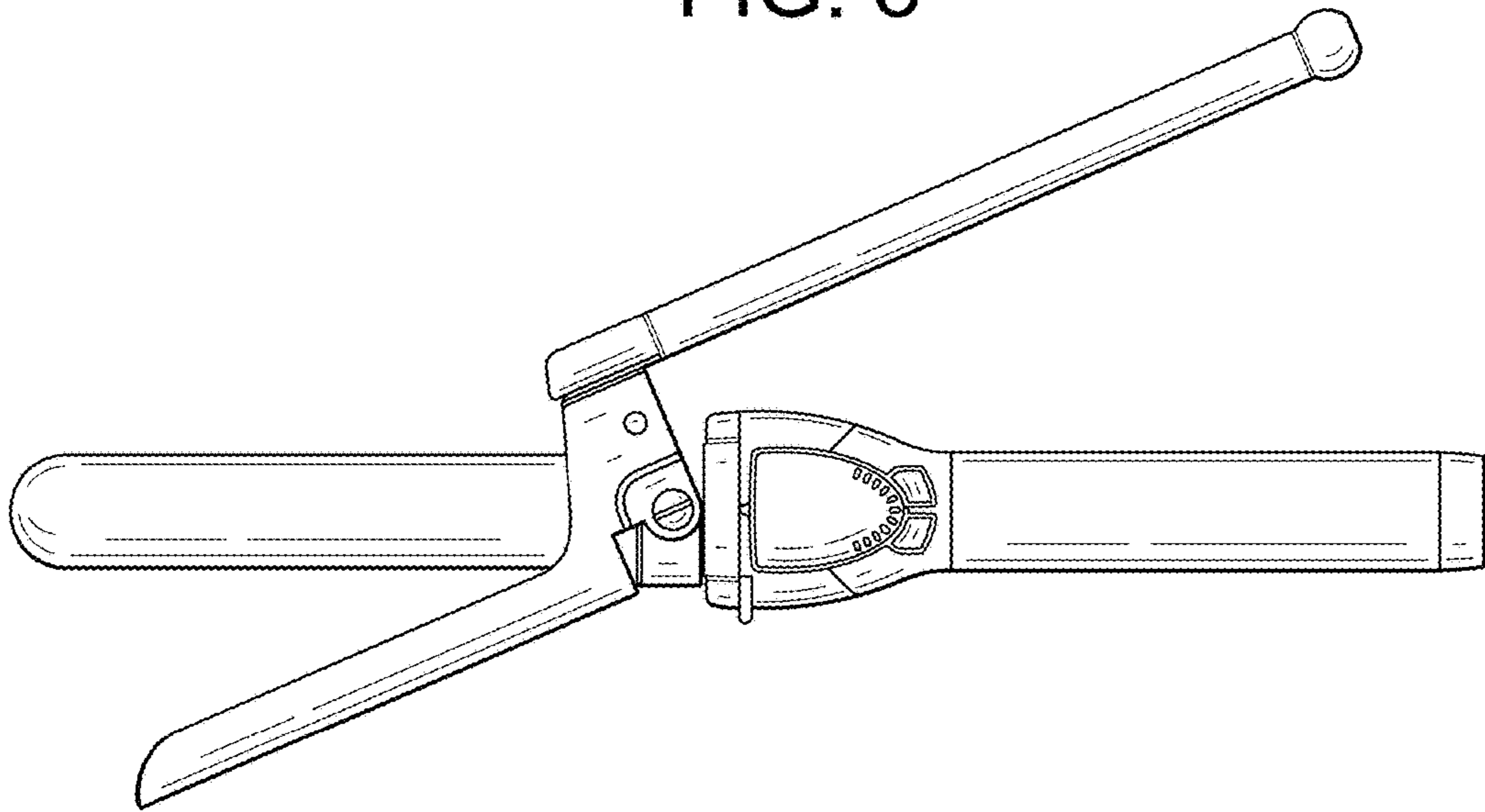


FIG. 9

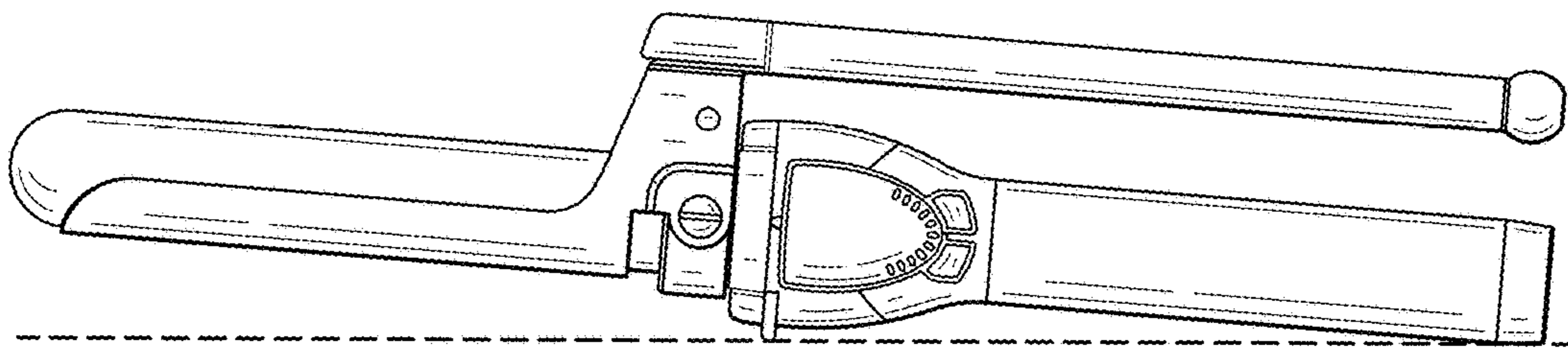




FIG. 10

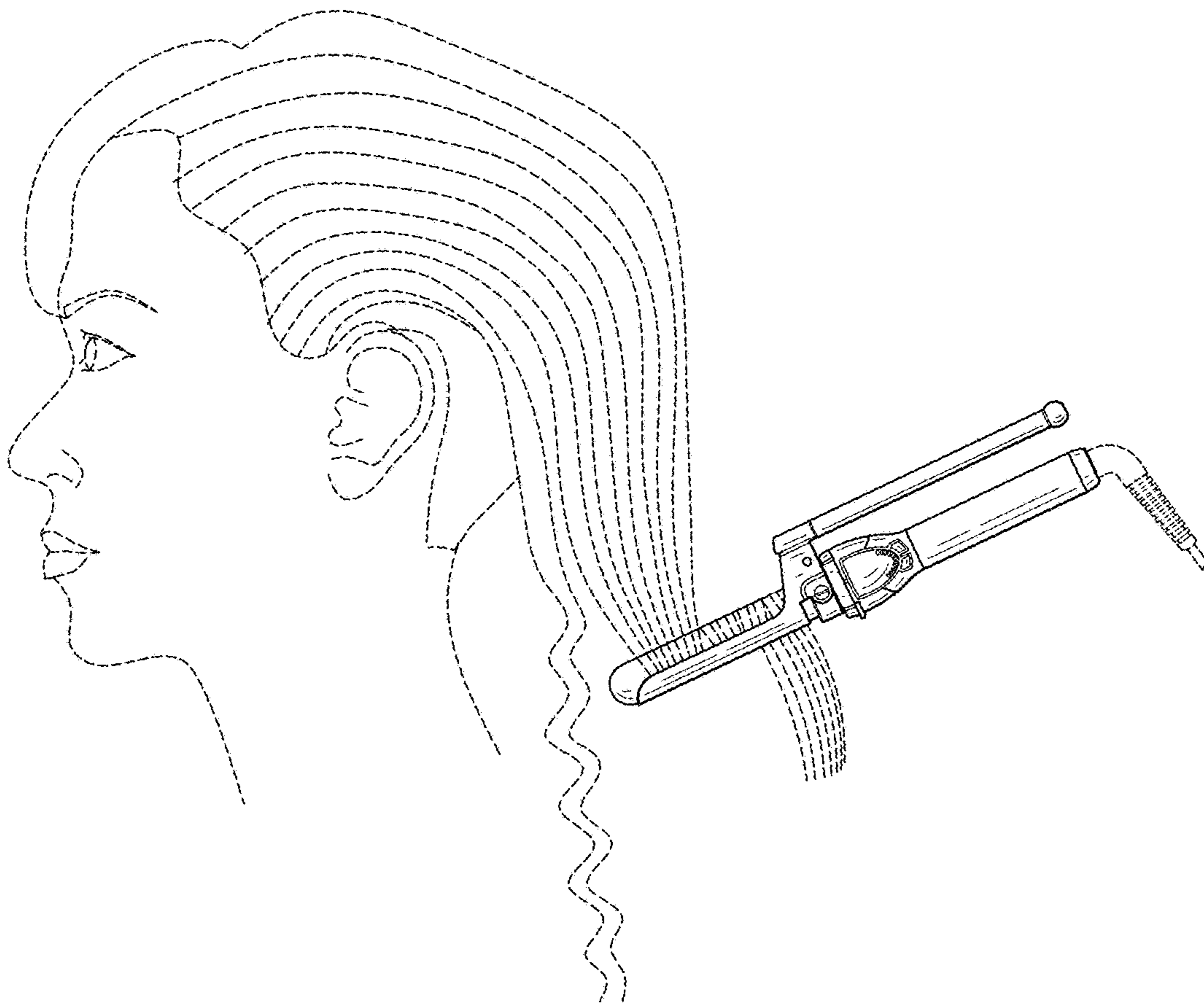


FIG. 11

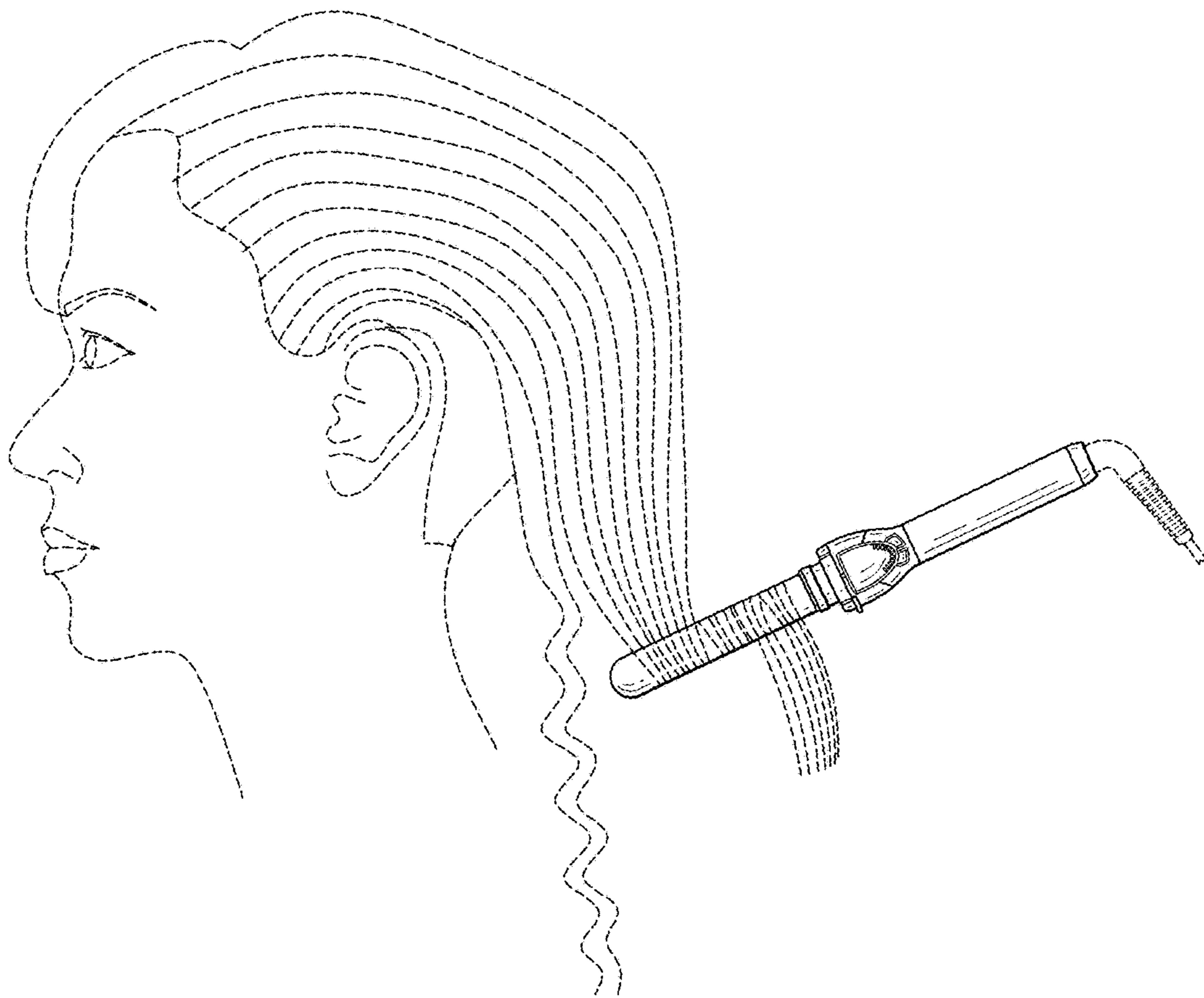


FIG. 12

