



US00D799750S

(12) **United States Design Patent** (10) **Patent No.:** **US D799,750 S**
Parcevaux (45) **Date of Patent:** **** Oct. 10, 2017**

(54) **CIGARETTE MACHINE HOLDER**
(71) Applicant: **REPUBLIC TOBACCO L.P.**,
Glenview, IL (US)
(72) Inventor: **Philippe Parcevaux**, Cabestany (FR)
(73) Assignee: **REPUBLIC TOBACCO L.P.**,
Glenview, IL (US)

(**) Term: **15 Years**
(21) Appl. No.: **29/565,591**

(22) Filed: **May 23, 2016**
(51) **LOC (10) Cl.** **27-99**
(52) **U.S. Cl.**
USPC **D27/194**
(58) **Field of Classification Search**
USPC D27/100, 101, 162, 163-169, 172, 175,
D27/186, 189, 193, 194, 195, 136, 137,
D27/138; D19/69
CPC A24F 13/24; A24F 5/00; A24F 7/02; A24F
3/00; A24F 47/002; A24F 15/12; A24F
15/18; A24F 47/008
See application file for complete search history.

(56) **References Cited**
U.S. PATENT DOCUMENTS

D142,178 S *	8/1945	Becwar	D27/186
D245,658 S *	9/1977	Grusin	D6/310
D275,897 S *	10/1984	Schutze	D27/194
D492,445 S *	6/2004	Parcevaux	D27/194
D494,315 S *	8/2004	Cartier	D27/194
D496,691 S *	9/2004	Crawford	D19/67
D504,155 S *	4/2005	Crawford	D19/67
D545,494 S *	6/2007	Soeprapto	D27/194
D547,002 S *	7/2007	Lin	D27/194
D569,033 S *	5/2008	Parcevaux	D27/194
D579,150 S *	10/2008	Lin	D27/184
D613,032 S *	4/2010	Lin	D27/194
D613,033 S *	4/2010	Lin	D27/194

D619,173 S *	7/2010	Chiu	D19/69
D647,566 S *	10/2011	Yuan	D19/69
D659,901 S *	5/2012	Lin	D27/194
D665,529 S *	8/2012	Malacsina	D27/194
D671,989 S *	12/2012	Refior	D19/69
D680,586 S *	4/2013	Huang	D19/69
D701,901 S *	4/2014	Bonacina	D19/69
D741,541 S *	10/2015	Liu	D27/186
D754,921 S *	4/2016	Chaisty	D27/194

(Continued)

Primary Examiner — Robert M Spear
Assistant Examiner — Marissa J Cash
(74) *Attorney, Agent, or Firm* — Michael Best &
Friedrich LLP

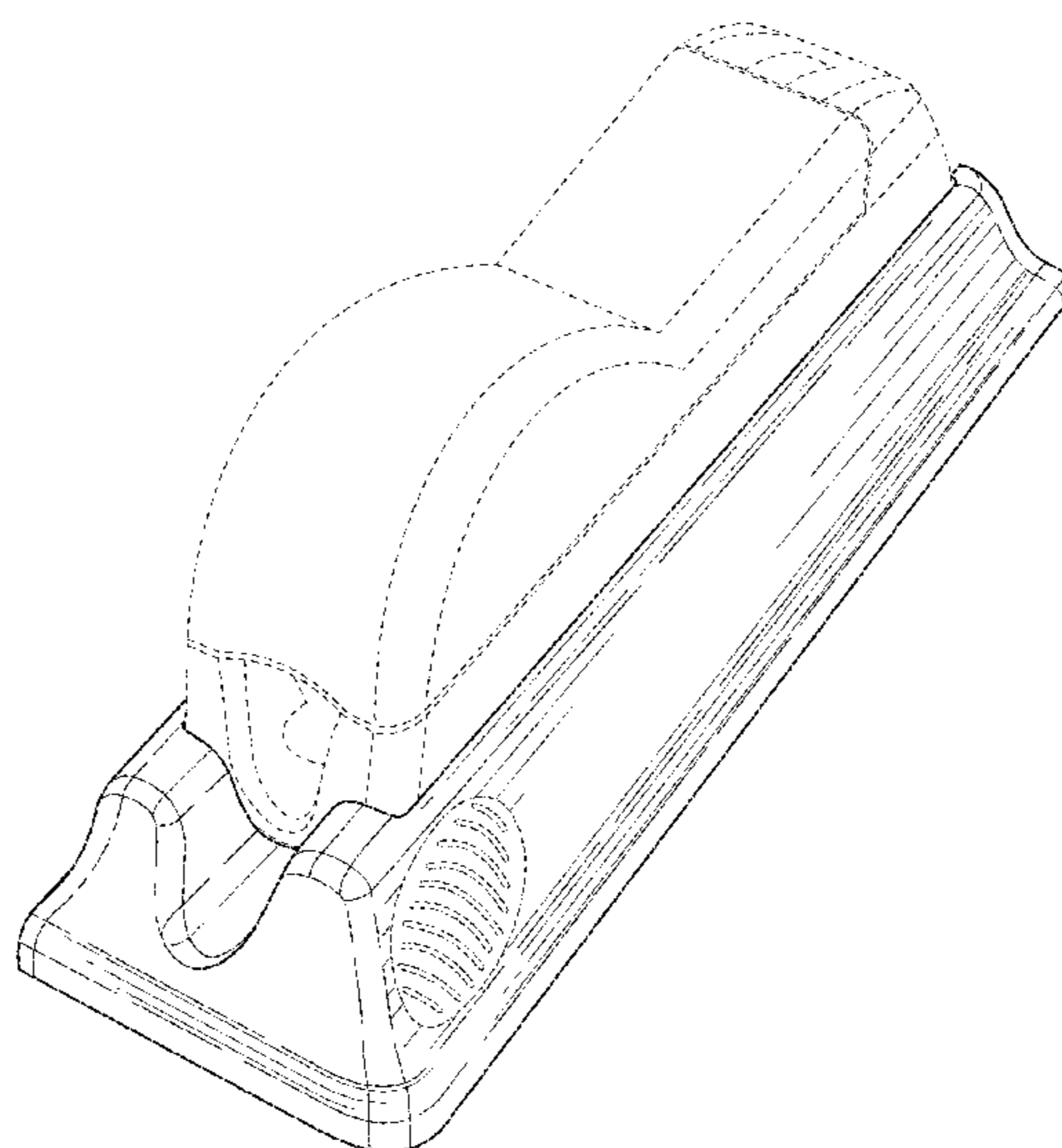
(57) **CLAIM**

The ornamental design for a cigarette machine holder, as shown and described.

DESCRIPTION

FIG. 1 is a front perspective view of a first embodiment of a cigarette machine holder with a cigarette machine shown in broken lines positioned within the holder; FIG. 2 is a front perspective view corresponding to FIG. 1, with the cigarette machine removed; FIG. 3 is a front elevation view of the cigarette machine holder of FIGS. 1 and 2; FIG. 4 is a rear elevation view of the cigarette machine holder of FIGS. 1 and 2; FIG. 5 is a left side elevation view of the cigarette machine holder of FIGS. 1 and 2, the right side elevation view being identical; FIG. 6 is a top plan view of the cigarette machine holder of FIGS. 1 and 2; and, FIG. 7 is a bottom plan view of the cigarette machine holder of FIGS. 1 and 2. The broken lines in FIGS. 1-6 illustrate portions of the cigarette machine holder and form no part of the claimed design.

1 Claim, 4 Drawing Sheets



(56)

References Cited

U.S. PATENT DOCUMENTS

D769,521 S * 10/2016 Lin D27/194
2004/0099276 A1* 5/2004 Parcevaux A24C 5/425
131/70
2015/0013691 A1* 1/2015 Parcevaux A24C 5/44
131/55
2016/0205994 A1* 7/2016 Lin A24C 5/425

* cited by examiner

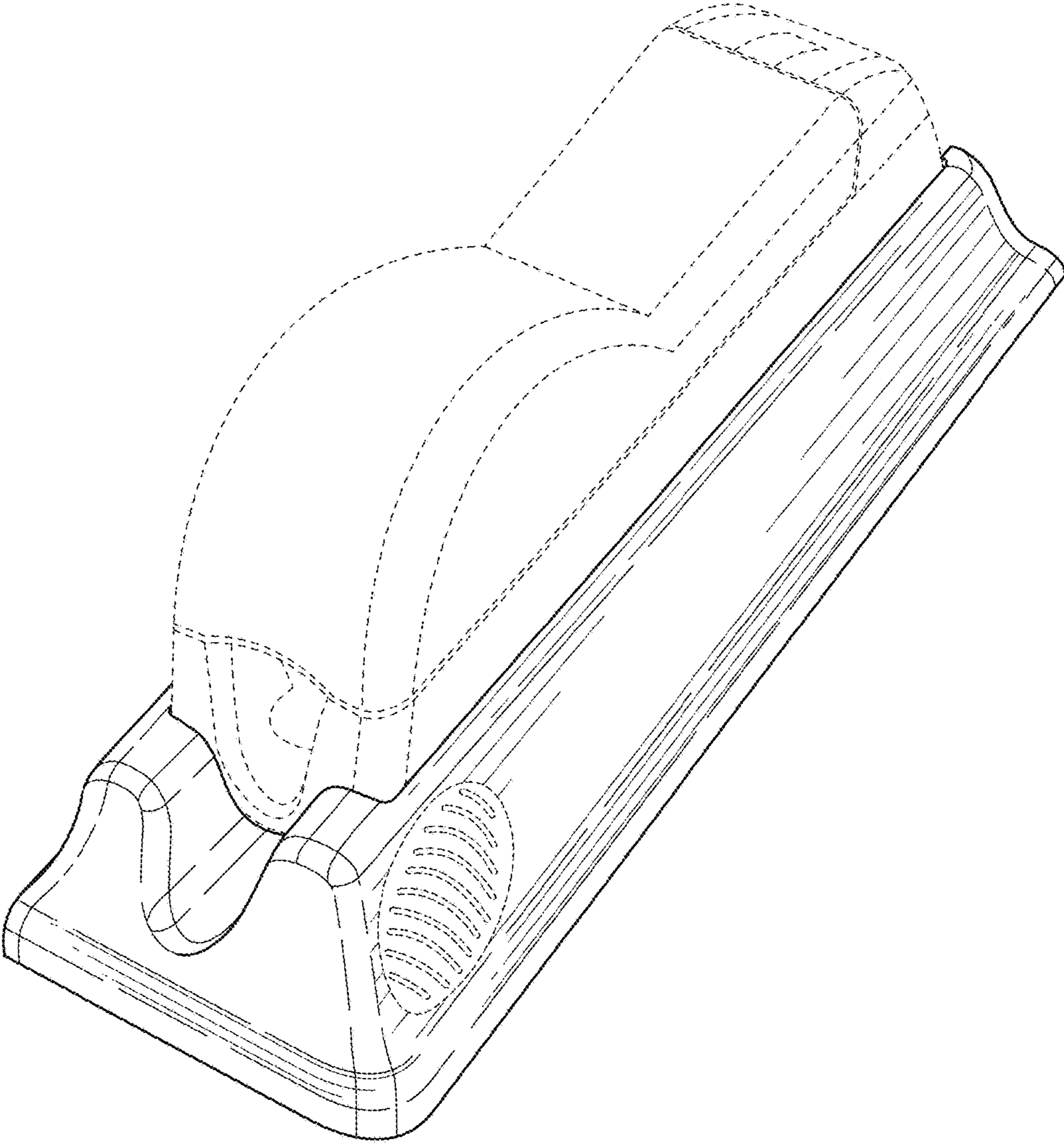


FIG. 1

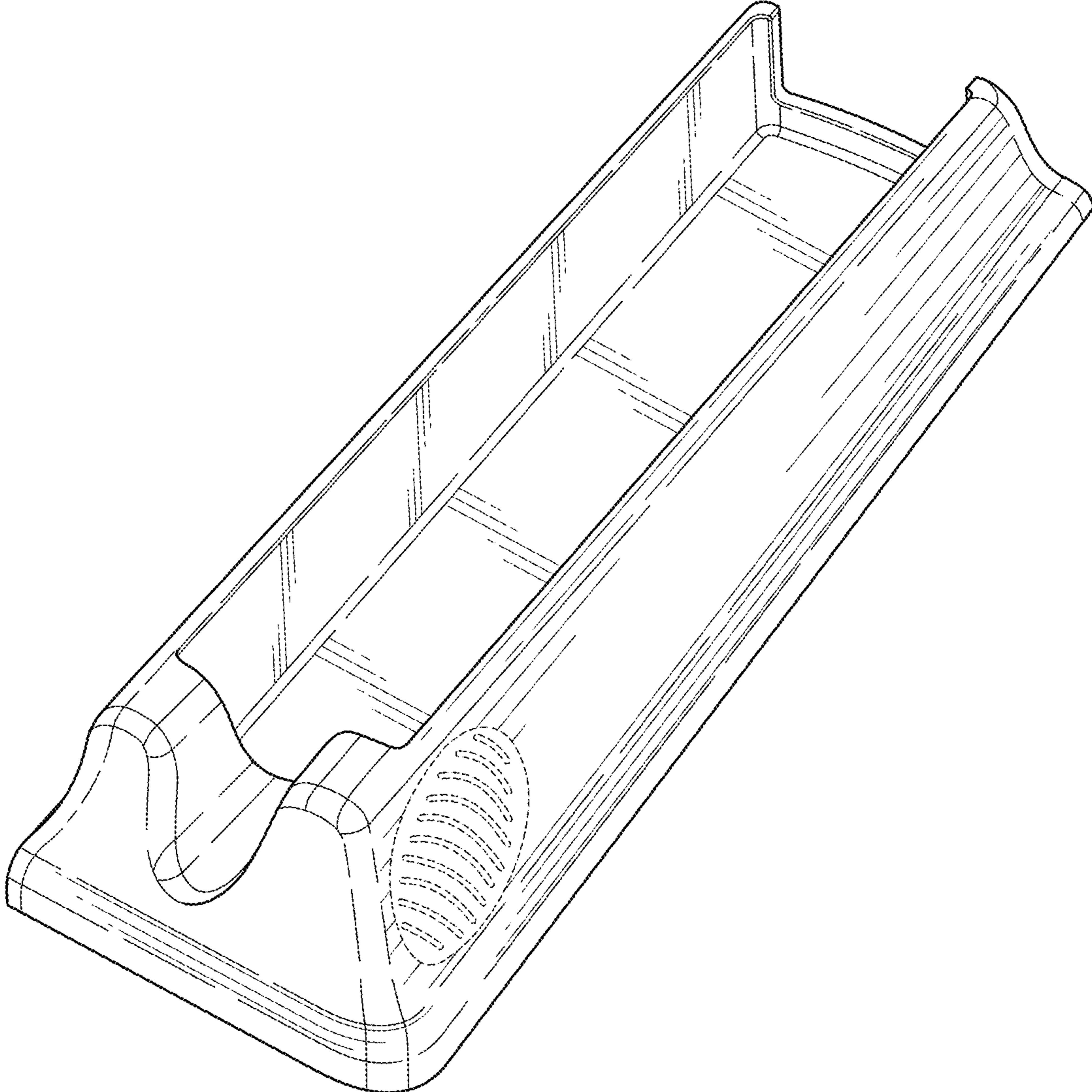


FIG. 2

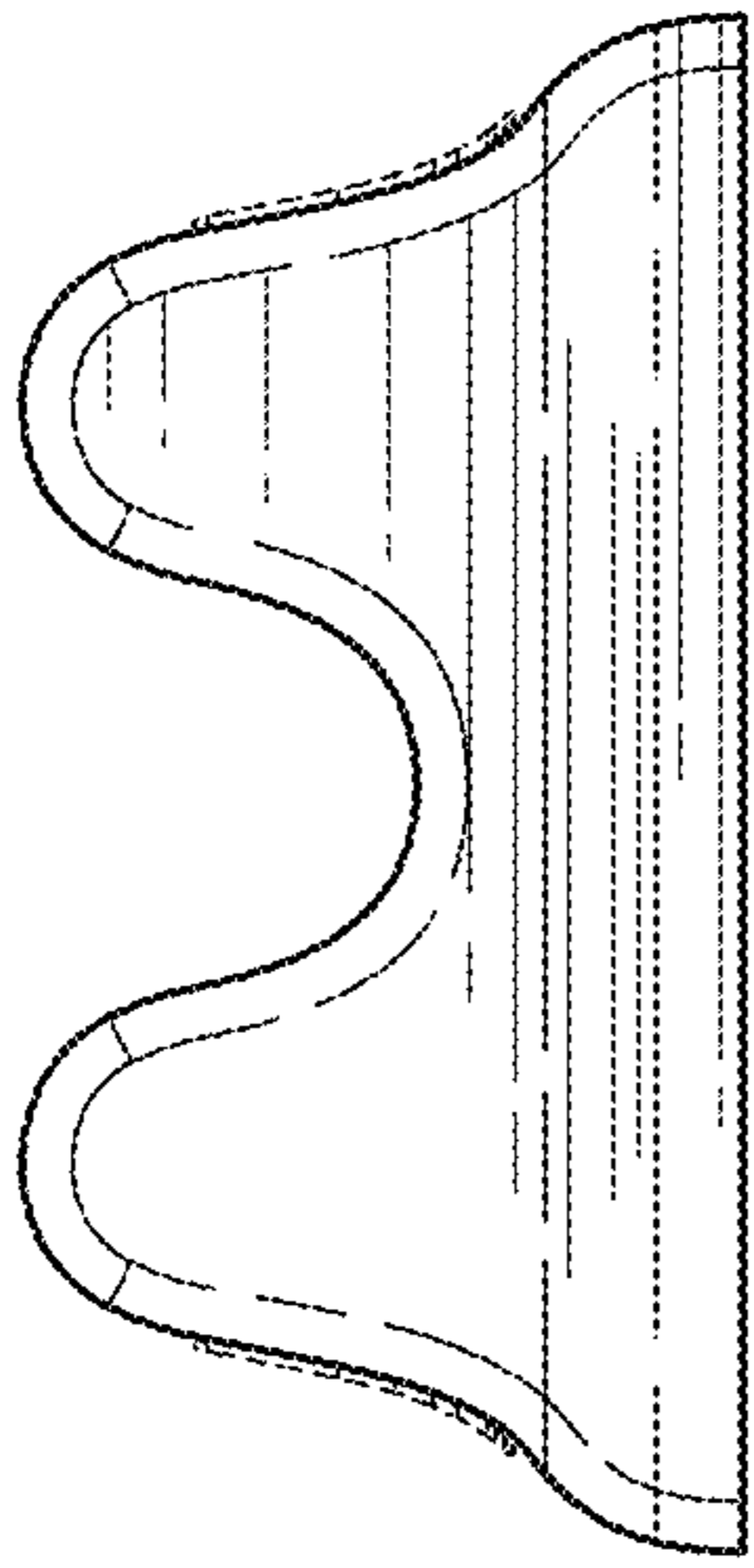


FIG. 3

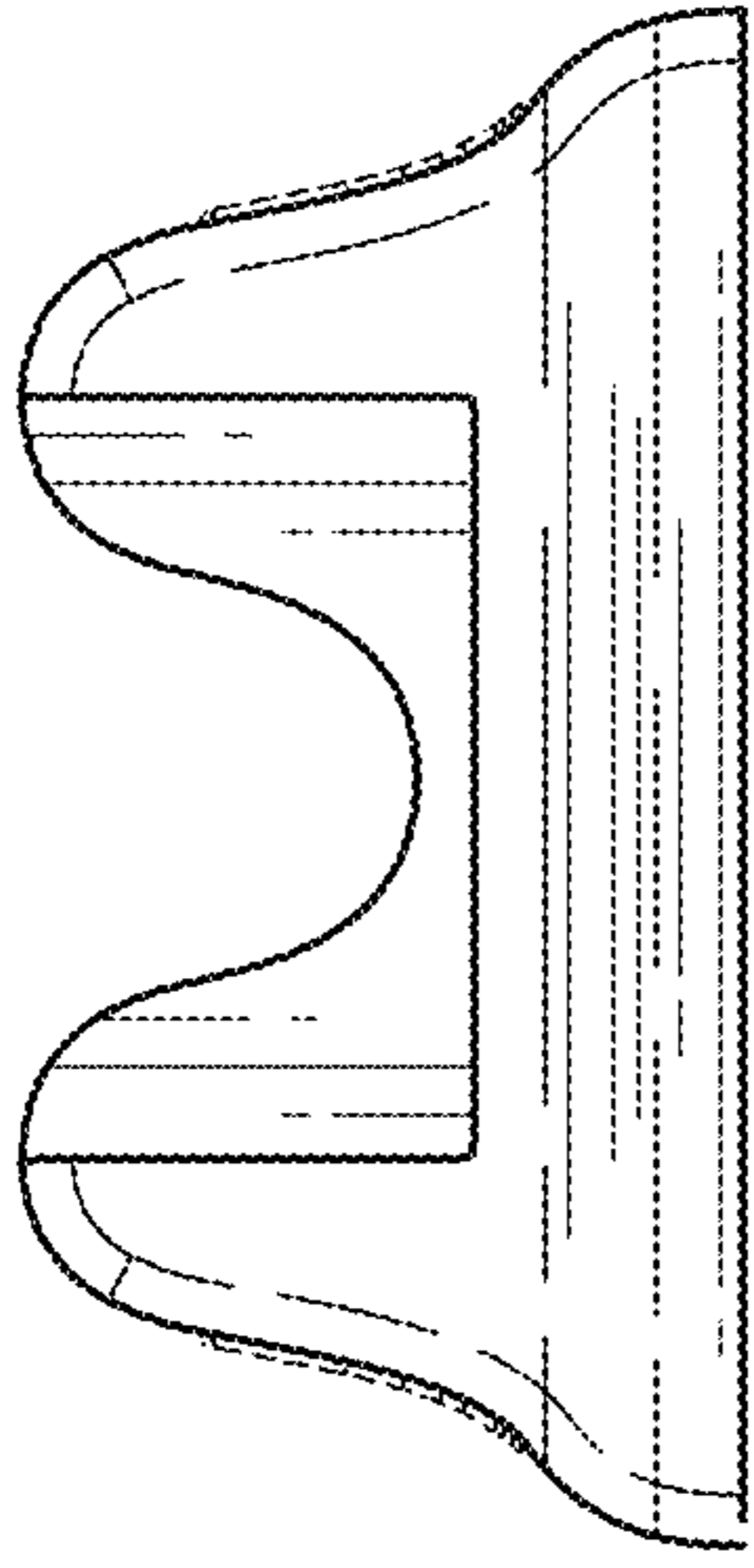


FIG. 4

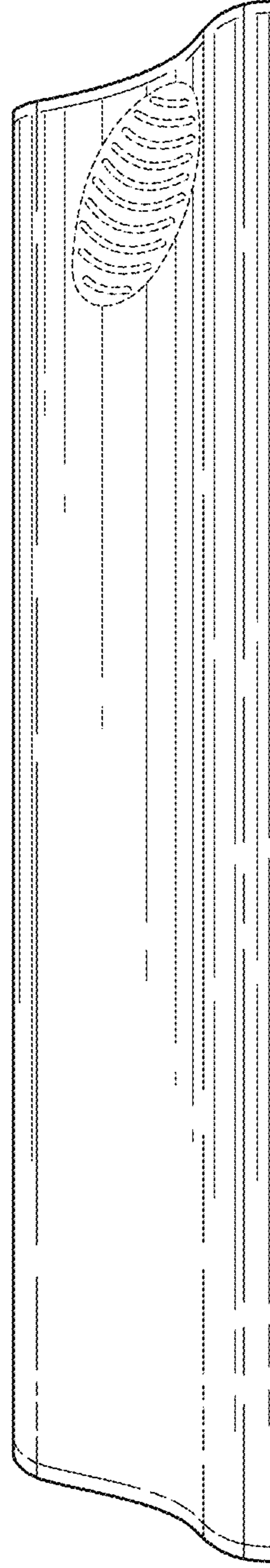


FIG. 5

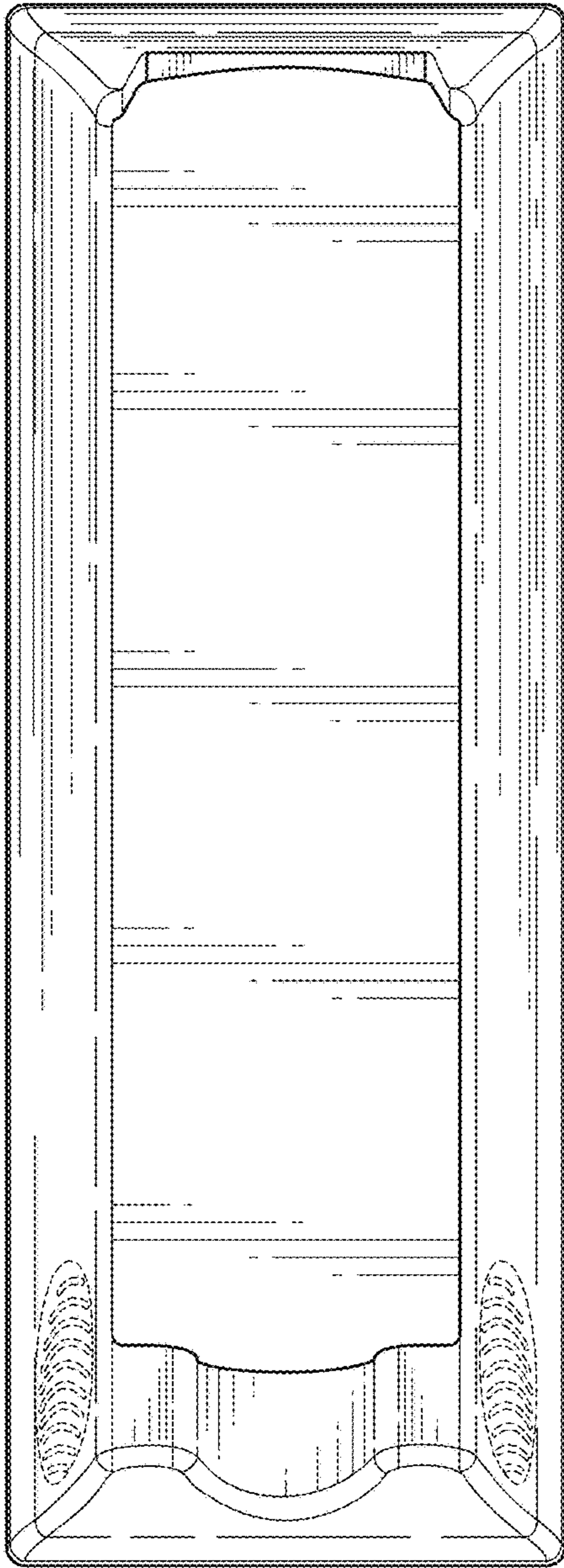


FIG. 6

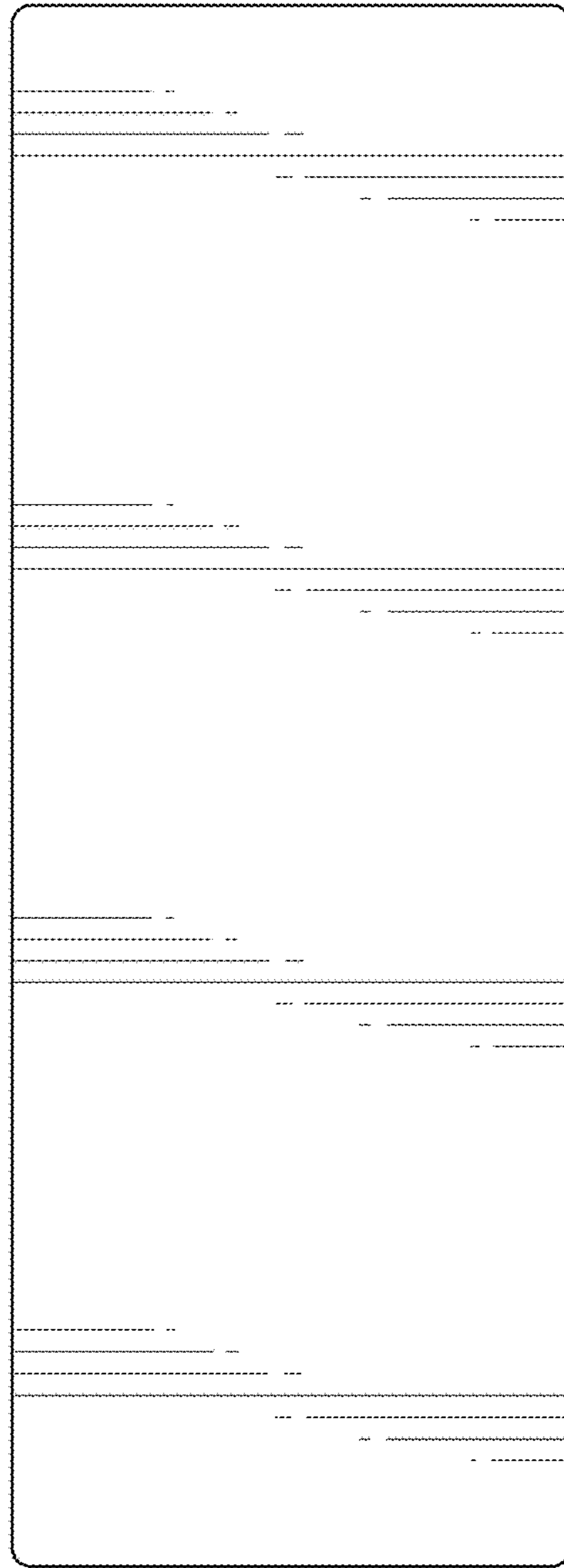


FIG. 7