



US00D799748S

(12) **United States Design Patent** (10) **Patent No.:** **US D799,748 S**  
**Freese** (45) **Date of Patent:** **\*\* Oct. 10, 2017**

(54) **SMOKING TIP DEVICE**  
(71) Applicant: **Louis Freese**, Encino, CA (US)  
(72) Inventor: **Louis Freese**, Encino, CA (US)  
(\*\*) Term: **14 Years**  
(21) Appl. No.: **29/510,590**  
(22) Filed: **Dec. 1, 2014**  
(51) **LOC (10) Cl.** ..... **27-02**  
(52) **U.S. Cl.**  
USPC ..... **D27/170**  
(58) **Field of Classification Search**  
USPC ..... D27/101, 162, 163, 167, 169, 170, 172,  
D27/183, 193, 194; 131/71, 76, 175,  
131/187, 191, 258, 270, 273, 361  
CPC ..... A24F 7/00; A24F 7/02; A24F 7/04  
See application file for complete search history.

(56) **References Cited**  
**U.S. PATENT DOCUMENTS**  
150,000 A \* 4/1874 Dale ..... 131/187  
726,946 A \* 5/1903 Kraus ..... 131/361  
779,817 A 1/1905 Strause et al.  
931,582 A 8/1909 Drucklieb  
953,419 A \* 3/1910 Hammerstein ..... 131/187  
D43,150 S \* 10/1912 Mahn ..... D27/183  
1,121,300 A 12/1914 Singley  
1,383,121 A \* 6/1921 James ..... 131/187  
1,415,404 A 5/1922 Rumble, Jr.  
1,616,396 A 2/1927 Smith  
1,657,485 A 1/1928 Santarsiero  
1,671,960 A \* 6/1928 Anchor ..... 131/178  
1,743,481 A \* 1/1930 Rench ..... 131/187  
1,941,531 A 1/1934 Blankenship  
1,989,214 A 1/1935 Seelman  
1,997,629 A \* 4/1935 Collver ..... 131/187  
D102,705 S \* 1/1937 Strauch ..... D27/170  
2,096,658 A \* 10/1937 Walden ..... 131/175

D125,122 S \* 2/1941 Urben ..... D27/170  
D129,846 S \* 10/1941 Lemoyne ..... D27/170  
2,502,545 A 4/1950 Wellborn  
2,542,612 A 2/1951 Arneson  
2,625,163 A 1/1953 Jones et al.  
2,673,566 A 3/1954 Belmont  
(Continued)

**OTHER PUBLICATIONS**

Cypress Hill's Phuncky Feel Tips by Roor—Tutorial by B-Real,  
Published on Youtube.com, Apr. 16, 2012, <https://www.youtube.com/watch?v=NQY4p-ZZ4Yg>.  
(Continued)

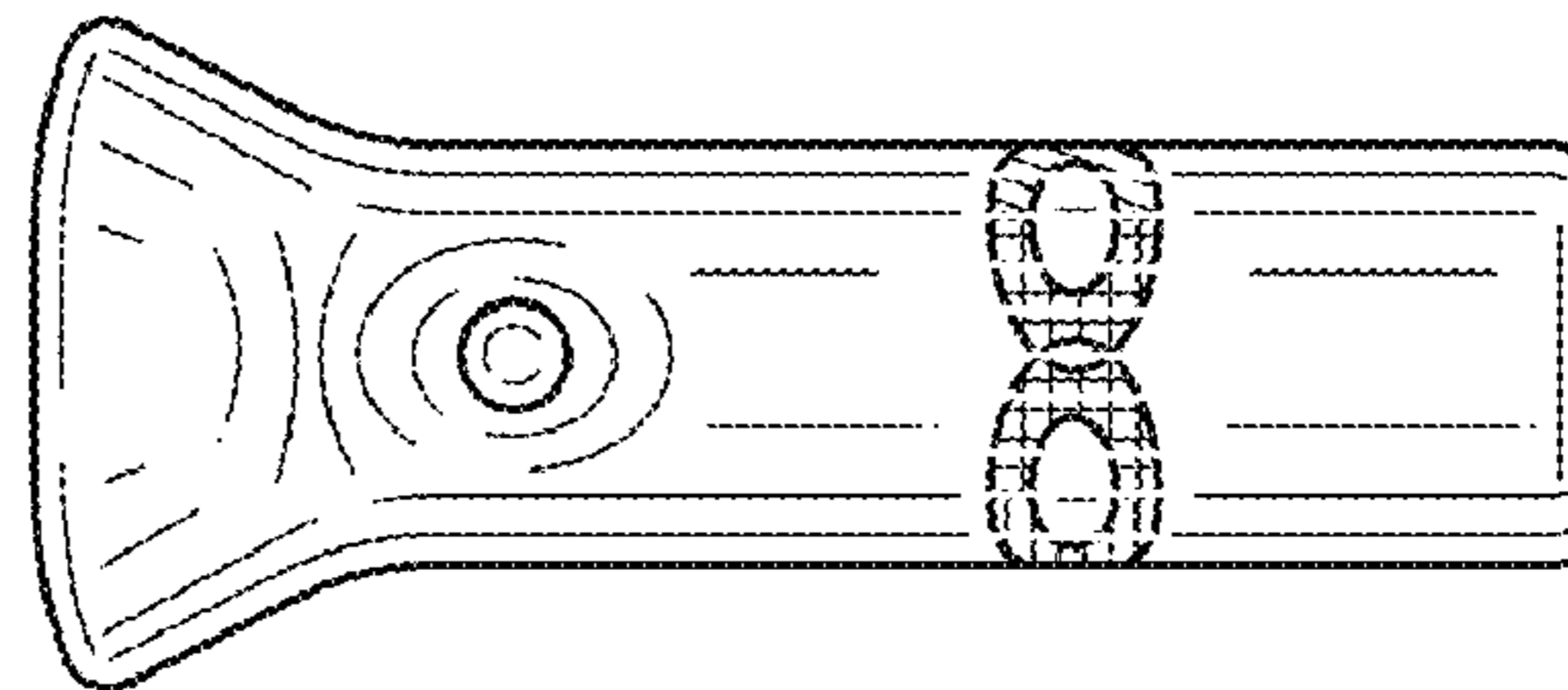
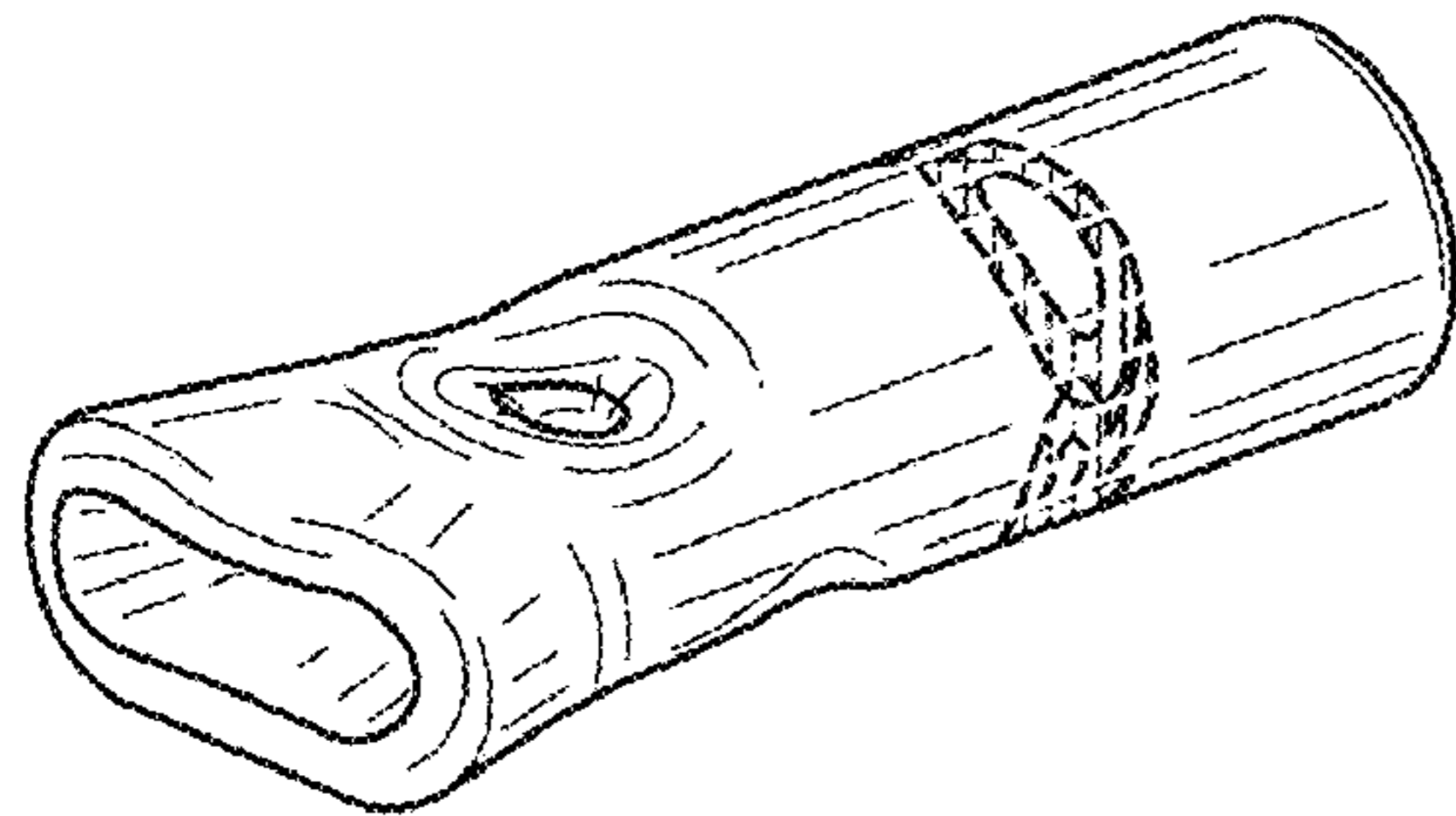
*Primary Examiner* — Janice Hallmark  
(74) *Attorney, Agent, or Firm* — Dorsey & Whitney LLP

(57) **CLAIM**  
The ornamental design for a smoking tip device, as shown  
and described.

**DESCRIPTION**

FIG. 1 is an isometric view of a smoking tip device, showing  
the top end, front, and left side.  
FIG. 2 is a front view of the smoking tip device in FIG. 1.  
FIG. 3 is a back view of the smoking tip device in FIG. 1,  
opposite the front view of FIG. 2.  
FIG. 4 is a left side view of the smoking tip device in FIG.  
1.  
FIG. 5 is a right side view of the smoking tip device in FIG.  
1, opposite the left side view of FIG. 4.  
FIG. 6 is a top end view of the smoking tip device in FIG.  
1; and,  
FIG. 7 is a bottom end view of the smoking tip device in  
FIG. 1, opposite the top end view of FIG. 6.  
The broken lines in FIGS. 1 through 5 depict environmental  
subject matter only and the broken lines in FIGS. 6 and 7  
depict parts of the smoking tip device. All broken lines form  
no part of the claimed design.

**1 Claim, 2 Drawing Sheets**



(56)

References Cited

U.S. PATENT DOCUMENTS

2,783,761 A 3/1957 French et al.  
 2,830,593 A 4/1958 Campbell  
 2,884,930 A 5/1959 Mason  
 2,954,778 A \* 10/1960 Lebert ..... 131/187  
 2,954,779 A \* 10/1960 Lebert ..... 131/187  
 2,956,569 A 10/1960 Adams  
 3,158,158 A 11/1964 Womack  
 3,194,246 A 7/1965 Mantchev  
 3,348,553 A 10/1967 Huber  
 3,646,944 A 3/1972 Banoczi  
 3,916,916 A 11/1975 Bramucci  
 4,046,153 A \* 9/1977 Kaye ..... 131/187  
 D246,602 S 12/1977 Frost  
 D264,256 S \* 5/1982 Benson ..... D27/194  
 D270,378 S 8/1983 Tourand  
 D288,852 S 3/1987 Miyoshi  
 D292,324 S 10/1987 Decker et al.  
 D424,739 S 5/2000 Ross  
 D485,639 S 1/2004 Stronski  
 D492,065 S 6/2004 Chang

D588,741 S 3/2009 Murdaugh, III et al.  
 D692,613 S \* 10/2013 Morreale ..... D27/170  
 2005/0166931 A1 8/2005 Hcu

OTHER PUBLICATIONS

Cypress Hill's 'Phuncky' Feel Glass Filter Tips by Roor, Published by [everyonedoesit.com](http://www.everyonedoesit.com), Reviewed on Oct. 29, 2011, [http://www.everyonedoesit.com/online\\_headshop/cypress-hills-phuncky-feel-glass-filter-tips-by-roor.cfm#](http://www.everyonedoesit.com/online_headshop/cypress-hills-phuncky-feel-glass-filter-tips-by-roor.cfm#).  
 Custom Flat Roor Tips Random Color Shipped by Roor, Published on Feb. 28, 2015 by Amazon.com, [http://www.amazon.com/Custom-Roor-Random-Color-Shipped/dp/B00U39G8ZY/ref=sr\\_1\\_3?ie=UTF8&qid=1437176212&sr=8-3&keywords=Roor](http://www.amazon.com/Custom-Roor-Random-Color-Shipped/dp/B00U39G8ZY/ref=sr_1_3?ie=UTF8&qid=1437176212&sr=8-3&keywords=Roor).  
 Baller Tips Back in Stock, Published on Jul. 6, 2015 by Roorglass on Enjoygram, [http://www.trgram.com/roorglass/photo/1022736272615672353\\_409147689](http://www.trgram.com/roorglass/photo/1022736272615672353_409147689).  
 Roor Phuncky Feel Tip Flach, Copyright 2013 by Wildundfrei Headshop, <http://wildundfrei-headshop.de/roor-phuncky-feel-tip-flach.html>.  
 Cypress Hill's Phuncky Feel Tips—Cypress Hill's Phuncky Feel Tips. retrieved from <<http://www.phunckyfeeltips.com/>> Mar. 6, 2015, 5 pgs.

\* cited by examiner

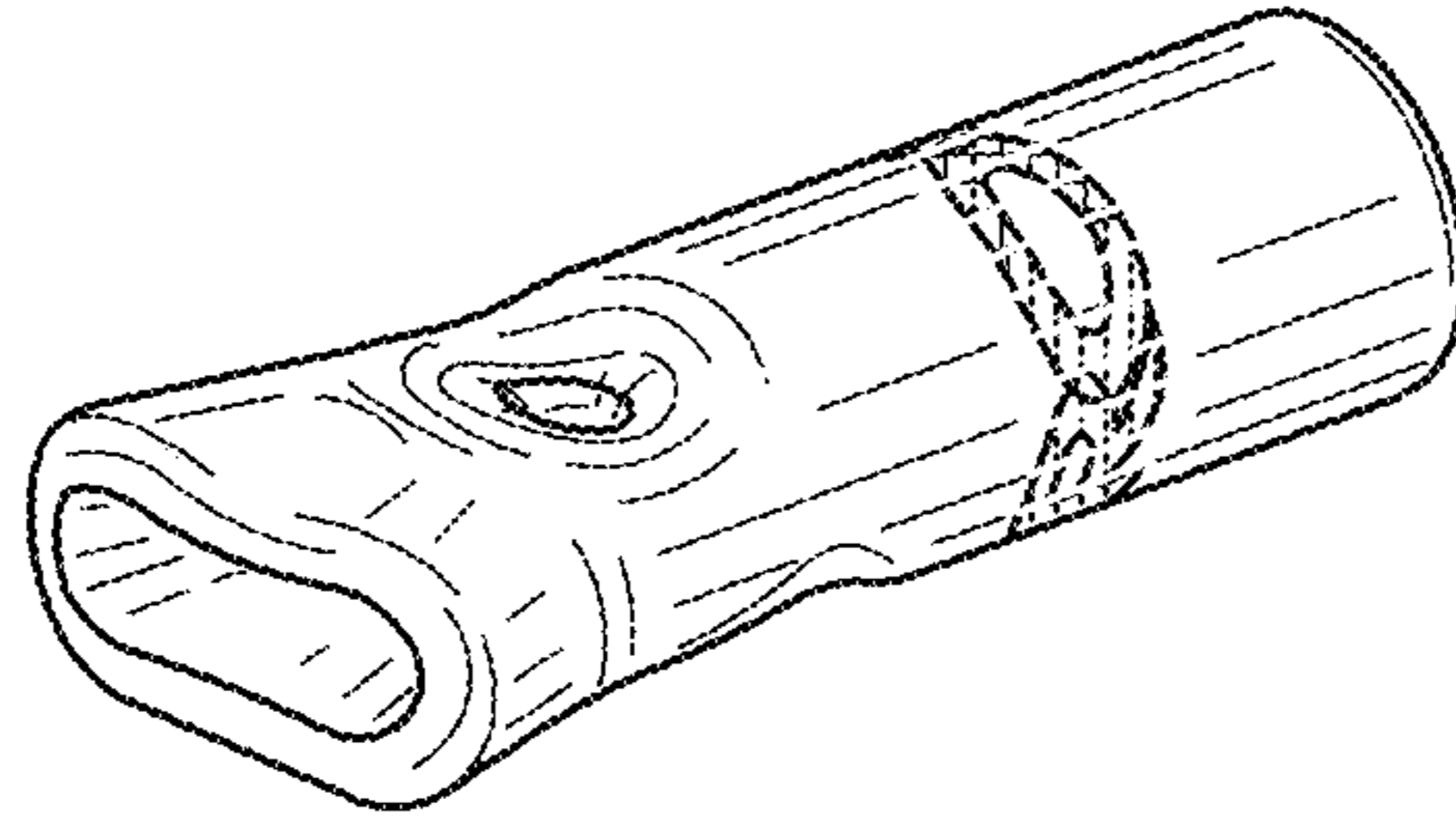


FIG. 1

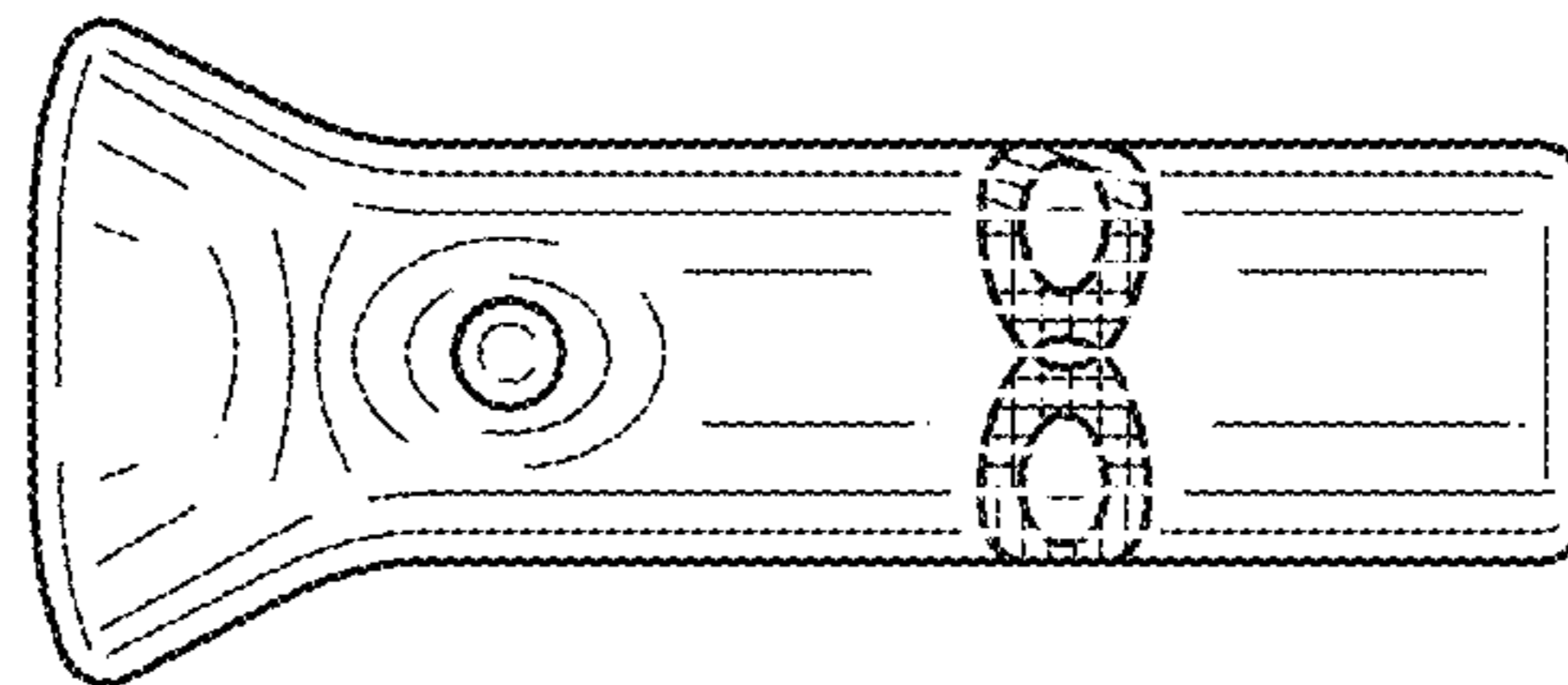


FIG. 2

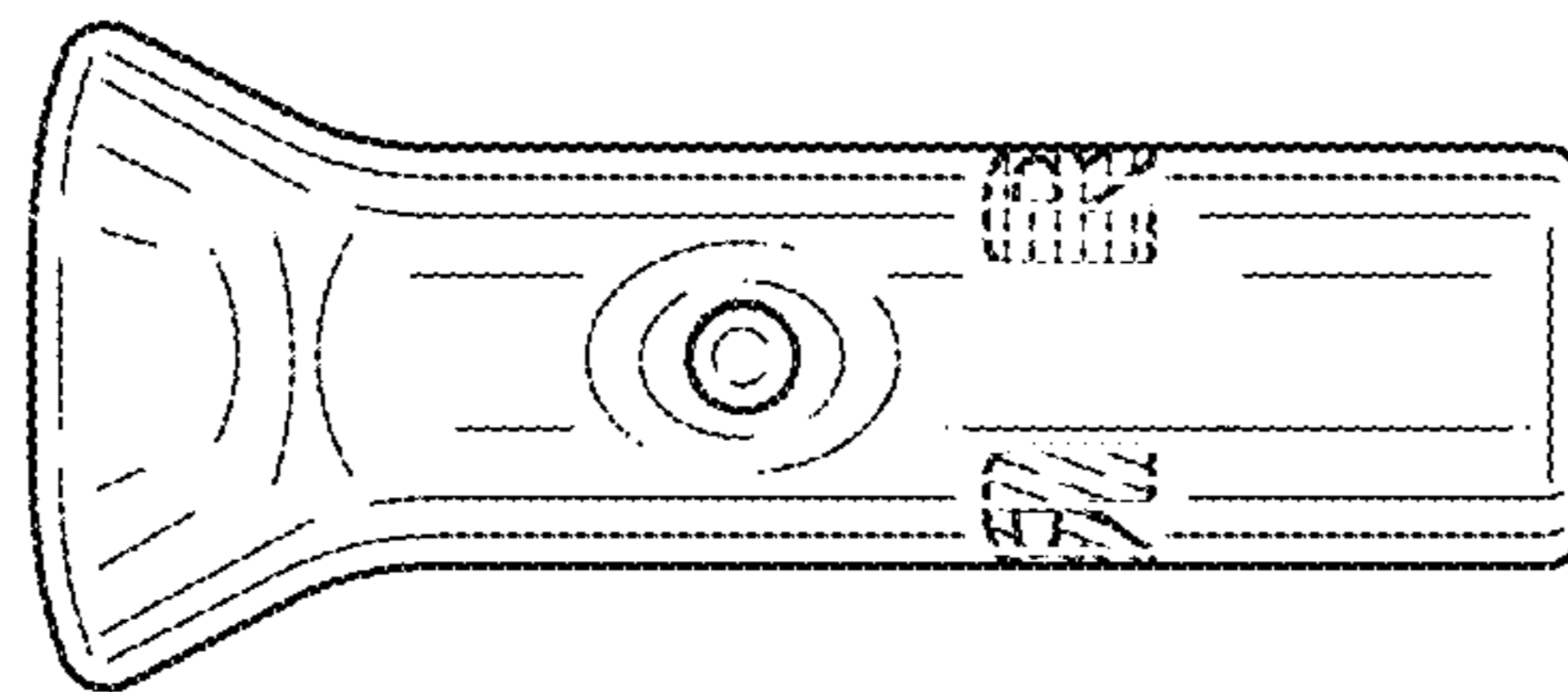


FIG. 3

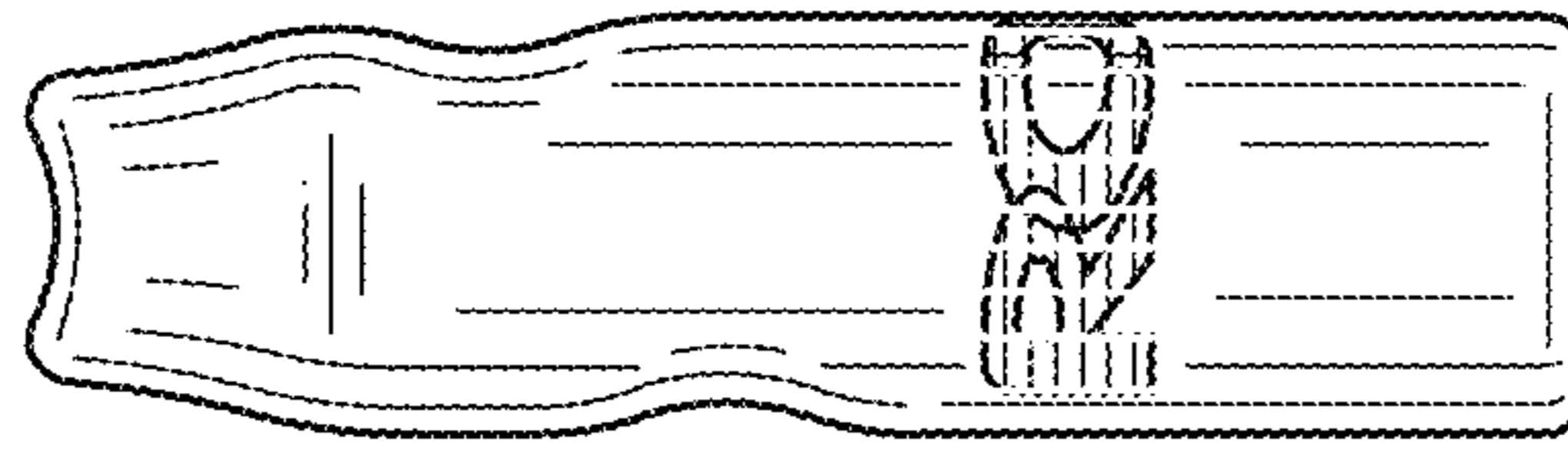


FIG. 4

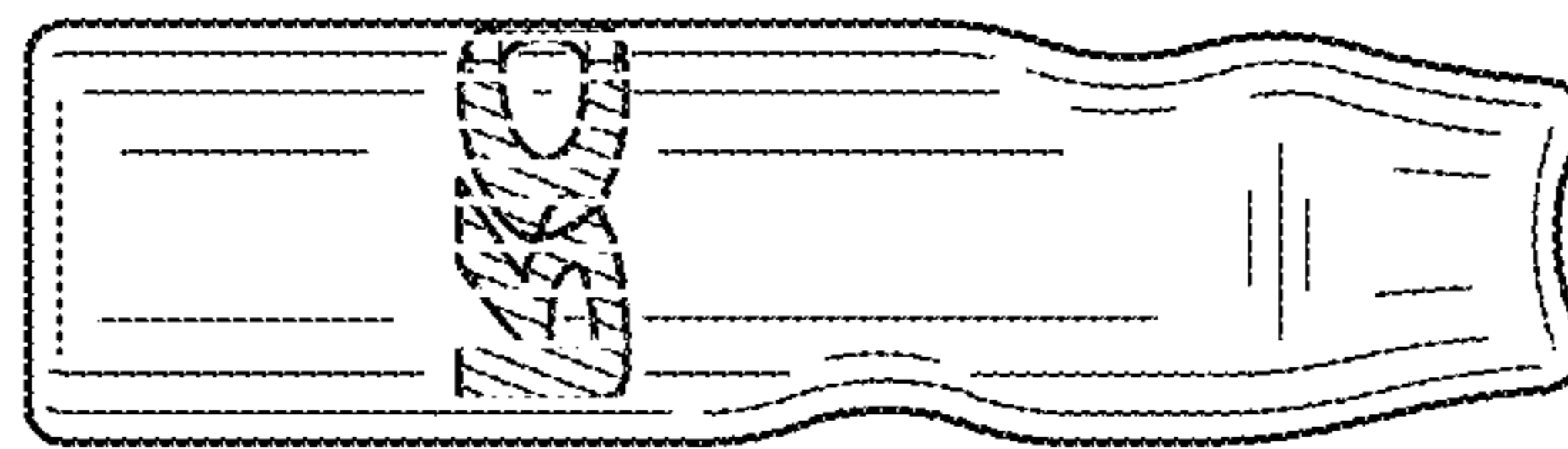


FIG. 5

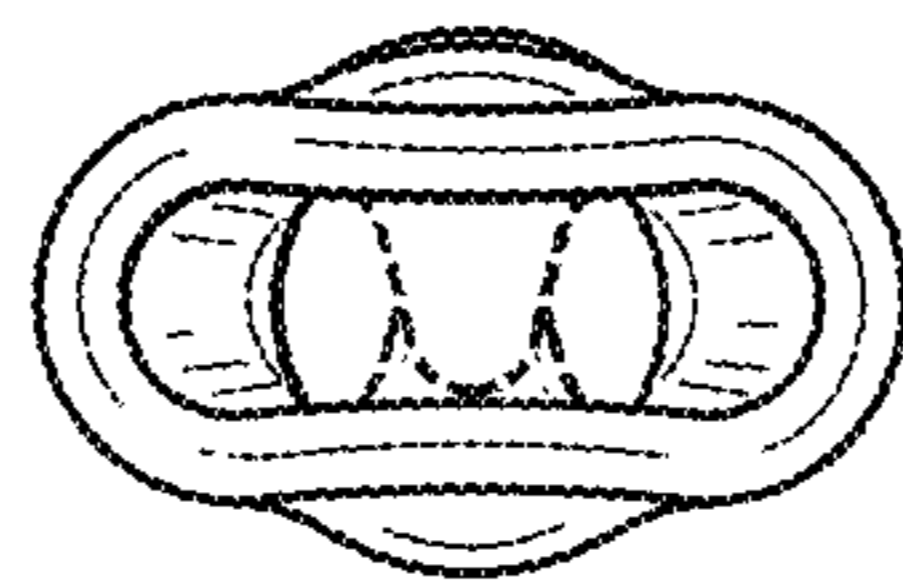


FIG. 6

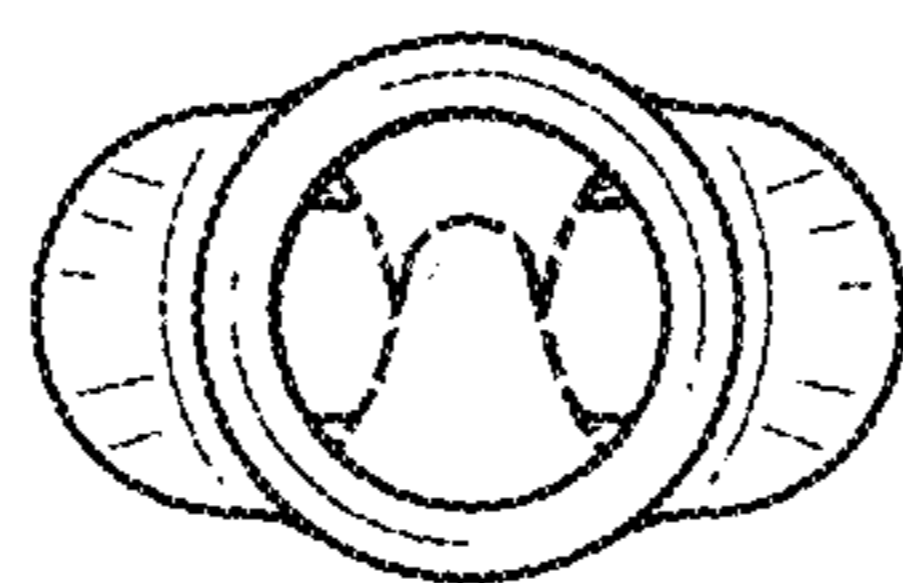


FIG. 7