



US00D799746S

(12) **United States Design Patent** (10) **Patent No.:** **US D799,746 S**
Leidel et al. (45) **Date of Patent:** **** Oct. 10, 2017**

- (54) **PERSONAL VAPORIZER**
- (71) Applicant: **The Hand media, inc.**, Miami, FL (US)
- (72) Inventors: **Brandon Leidel**, Miami, FL (US);
Eduardo Rodriguez, Miami, FL (US)
- (**) Term: **15 Years**
- (21) Appl. No.: **29/599,803**
- (22) Filed: **Apr. 6, 2017**
- (51) **LOC (10) Cl.** **27-02**
- (52) **U.S. Cl.**
USPC **D27/163**
- (58) **Field of Classification Search**
USPC D27/100, 101, 162, 163-169, 172, 175,
D27/186, 189, 193, 194, 195, 136, 137,
D27/138, 139, 141, 144
CPC .. A24F 5/00; A24F 47/008; A24F 7/02; A24F
47/002; A24F 15/12; A24F 15/18
See application file for complete search history.

- D729,444 S 5/2015 Leidel
- D730,572 S 5/2015 Leidel
- D733,356 S 6/2015 Leidel
- D742,062 S * 10/2015 Almsberger D27/143
- D743,099 S 11/2015 Oglesby
- D748,325 S 1/2016 Leidel
- D753,336 S * 4/2016 Chen D27/101
- D758,656 S * 6/2016 Freshwater D27/163
- D769,721 S * 10/2016 Zahr D27/186

(Continued)

Primary Examiner — Robert M Spear
Assistant Examiner — Marissa J Cash
(74) *Attorney, Agent, or Firm* — Christopher J. VanDam,
PA; Chris Vandam

(57) **CLAIM**

The ornamental design for a personal vaporizer, as shown and described.

DESCRIPTION

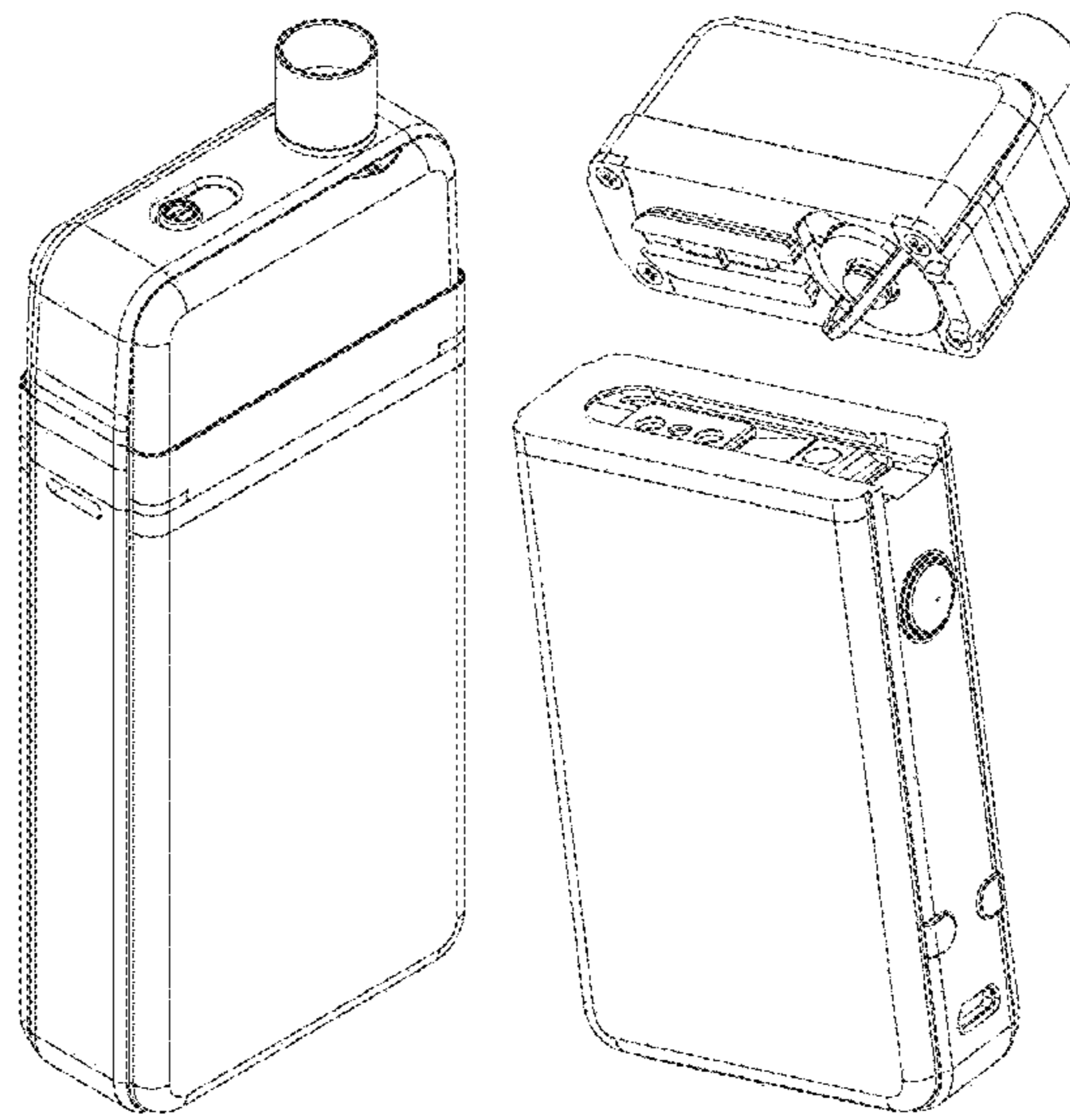
FIG. 1 shows a perspective view of a personal vaporizer. FIG. 2 shows an elevation view of the personal vaporizer. FIG. 3 shows an elevation view of the personal vaporizer. FIG. 4 shows an elevation view of the personal vaporizer. FIG. 5 shows a plan view of the personal vaporizer. FIG. 6 shows a plan view of the personal vaporizer. FIG. 7 shows a perspective view of the personal vaporizer. FIG. 8 shows a perspective view of the personal vaporizer. FIG. 9 shows an exploded perspective view of the personal vaporizer. FIG. 10 shows an exploded elevation view of the personal vaporizer. FIG. 11 shows an exploded elevation view of the personal vaporizer. FIG. 12 shows an exploded perspective view of the personal vaporizer; and, FIG. 13 shows an exploded perspective view of the personal vaporizer.

1 Claim, 13 Drawing Sheets

(56) **References Cited**

U.S. PATENT DOCUMENTS

- D346,878 S * 5/1994 Gee D27/194
- D368,552 S * 4/1996 Adams D27/194
- 5,934,289 A * 8/1999 Watkins A24F 47/008
128/202.21
- D433,532 S * 11/2000 Higgins D27/186
- 6,615,840 B1 * 9/2003 Fournier A24F 47/008
131/194
- D547,440 S * 7/2007 Louet-Feisser D24/110
- D547,859 S * 7/2007 Choi D24/113
- D577,150 S 9/2008 Bryman
- D647,247 S 10/2011 Jones
- D649,708 S 11/2011 Oneil
- D690,002 S 9/2013 Storey
- D724,263 S 3/2015 Malhi
- D728,855 S * 5/2015 Liu D27/163



(56)

References Cited

U.S. PATENT DOCUMENTS

D770,678 S * 11/2016 Shin D27/163
D771,867 S * 11/2016 Leidel D27/163
D773,114 S 11/2016 Leidel
D773,116 S * 11/2016 Liu D27/167
D775,414 S * 12/2016 Ampolini D13/108
2002/0005207 A1* 1/2002 Wrenn A24C 5/478
131/194
2009/0283103 A1* 11/2009 Nielsen A24F 1/30
131/273
2010/0163063 A1* 7/2010 Fernando A24F 47/008
131/184.1
2010/0313901 A1* 12/2010 Fernando A24F 47/008
131/330
2014/0014125 A1* 1/2014 Fernando A24F 47/008
131/328
2014/0217085 A1* 8/2014 Alima F23Q 7/16
219/474
2015/0053217 A1* 2/2015 Steingraber A24F 47/008
131/329

* cited by examiner

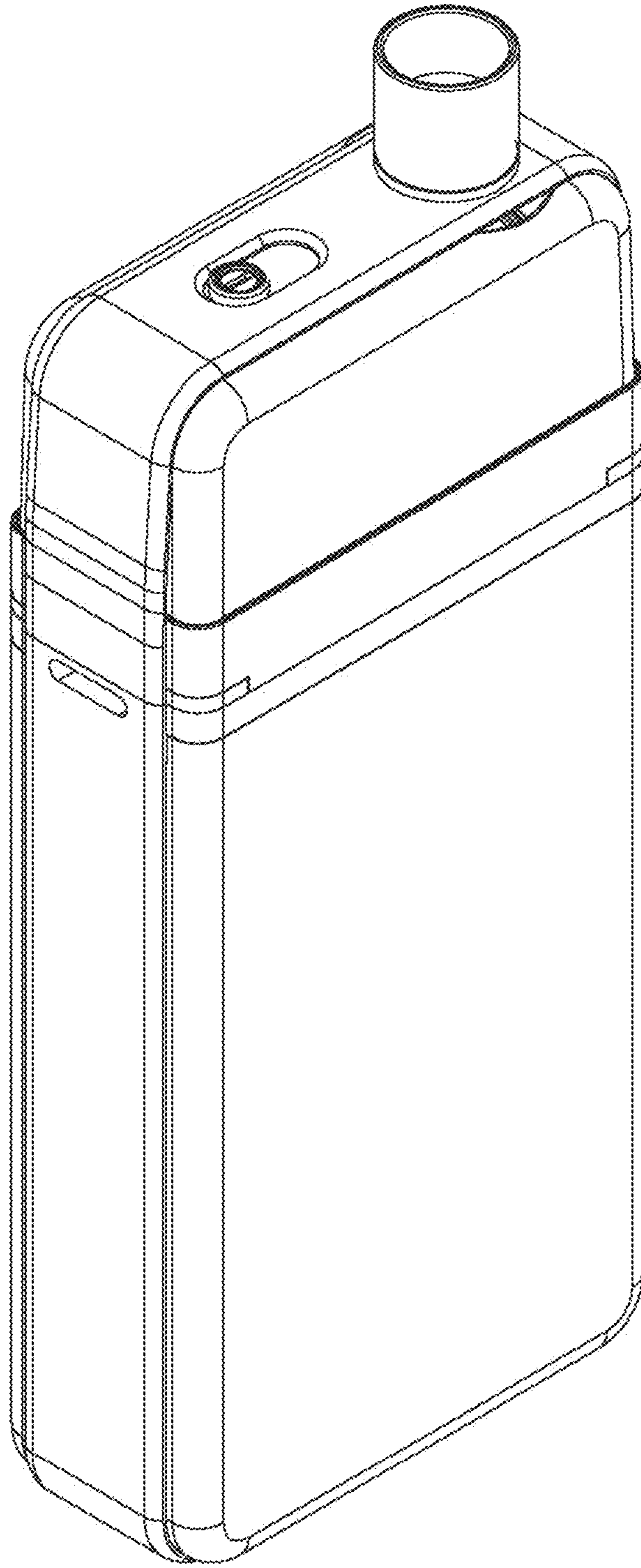


Fig. 1

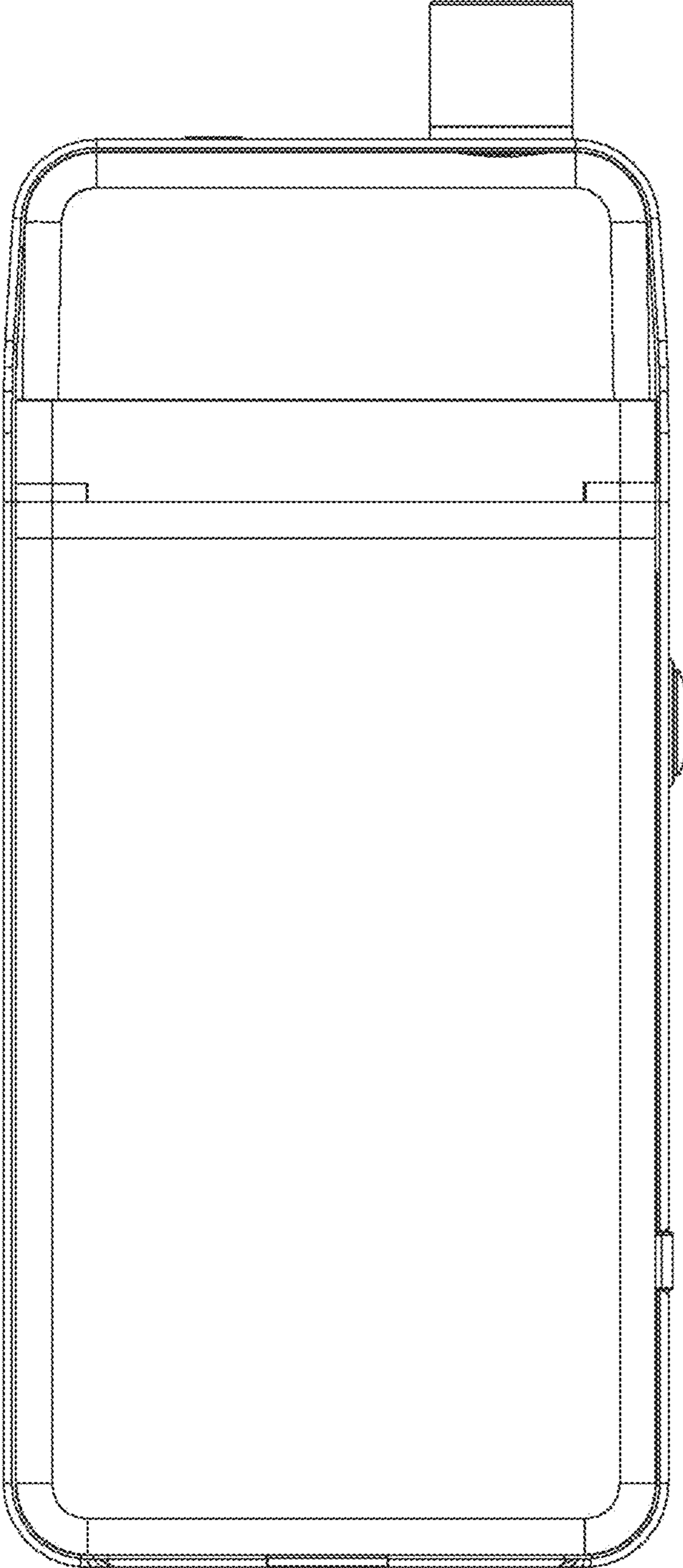


Fig. 2

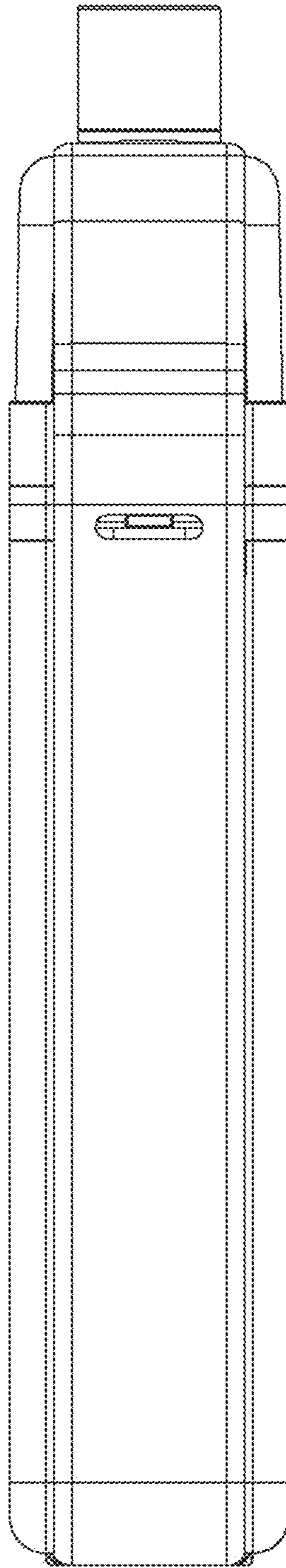


Fig. 3

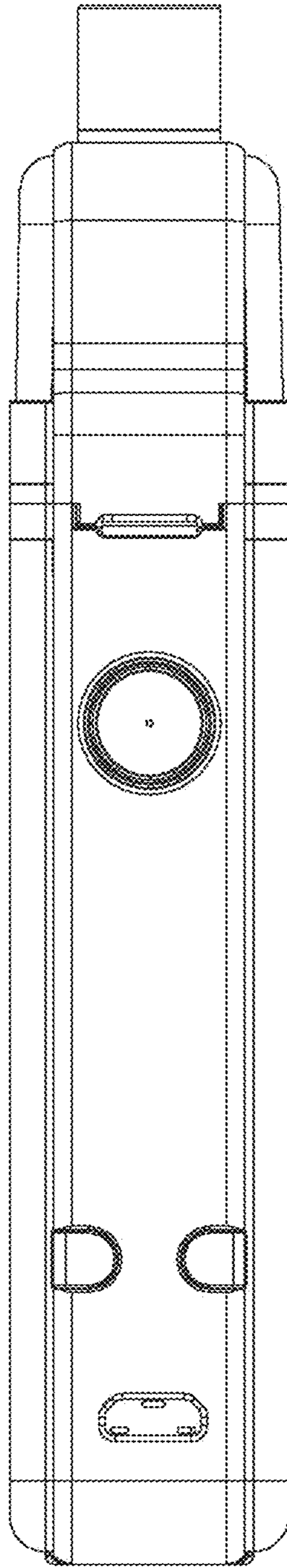


Fig. 4

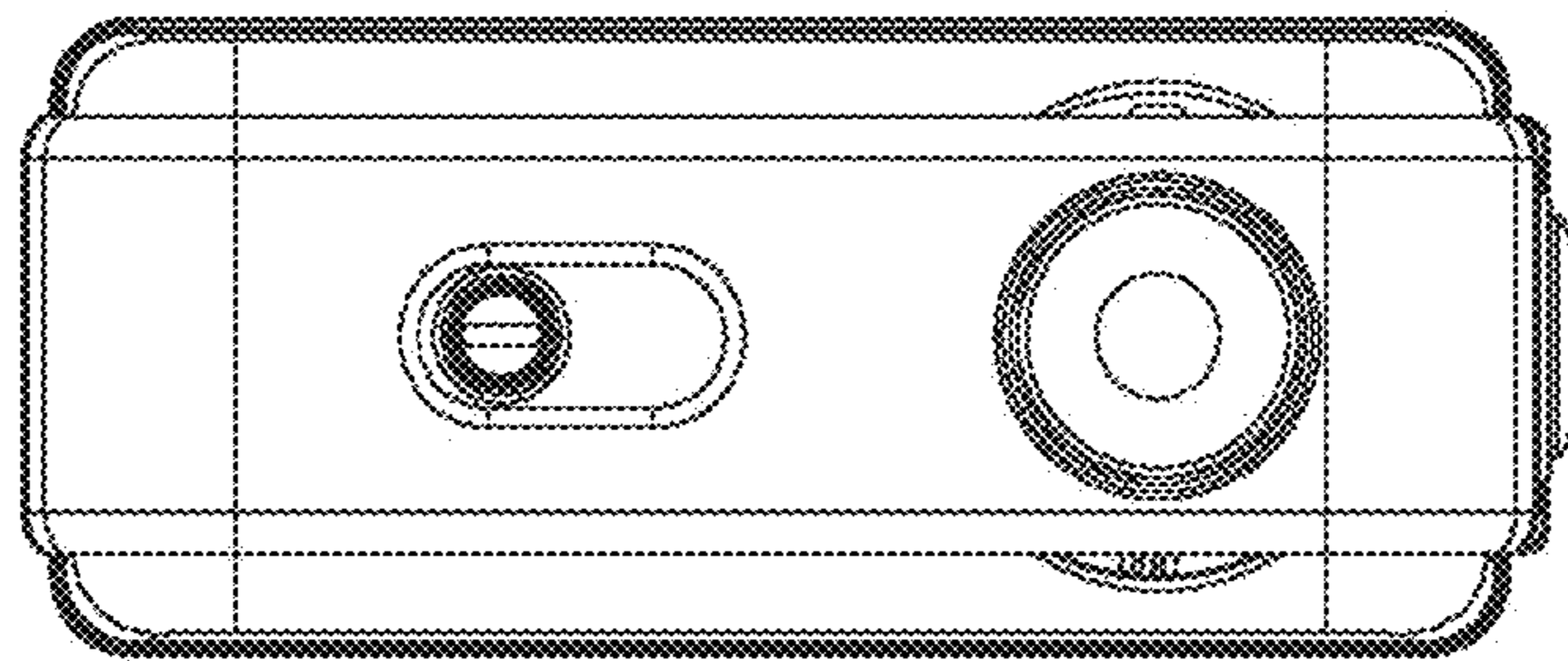


Fig. 5

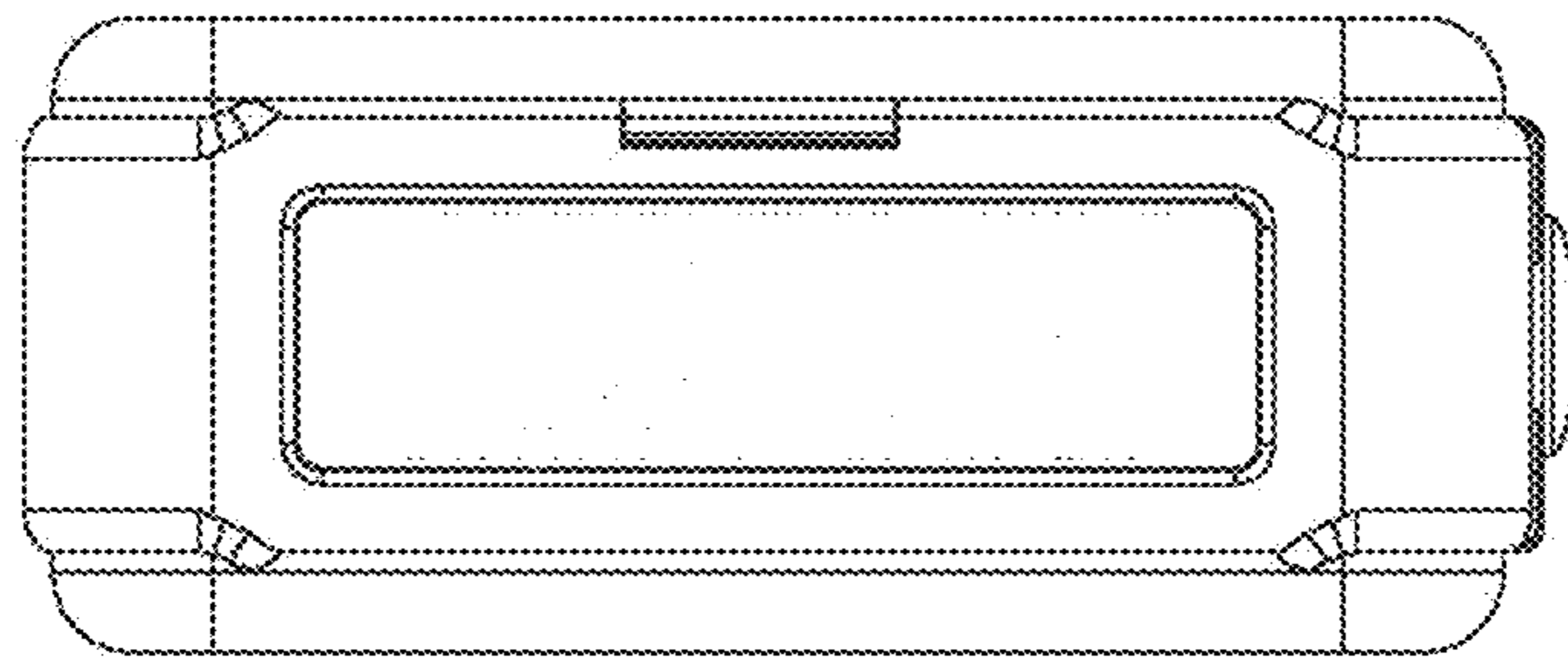


Fig. 6

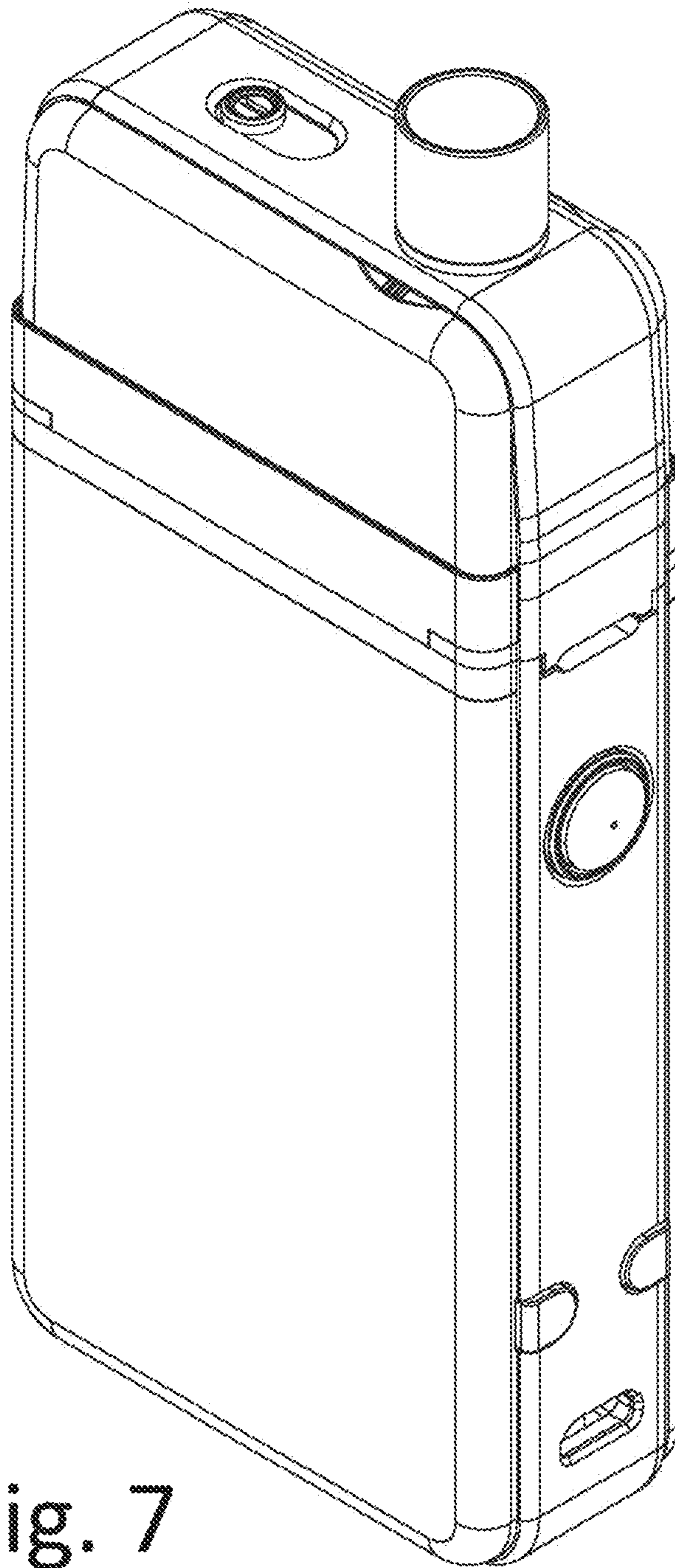


Fig. 7

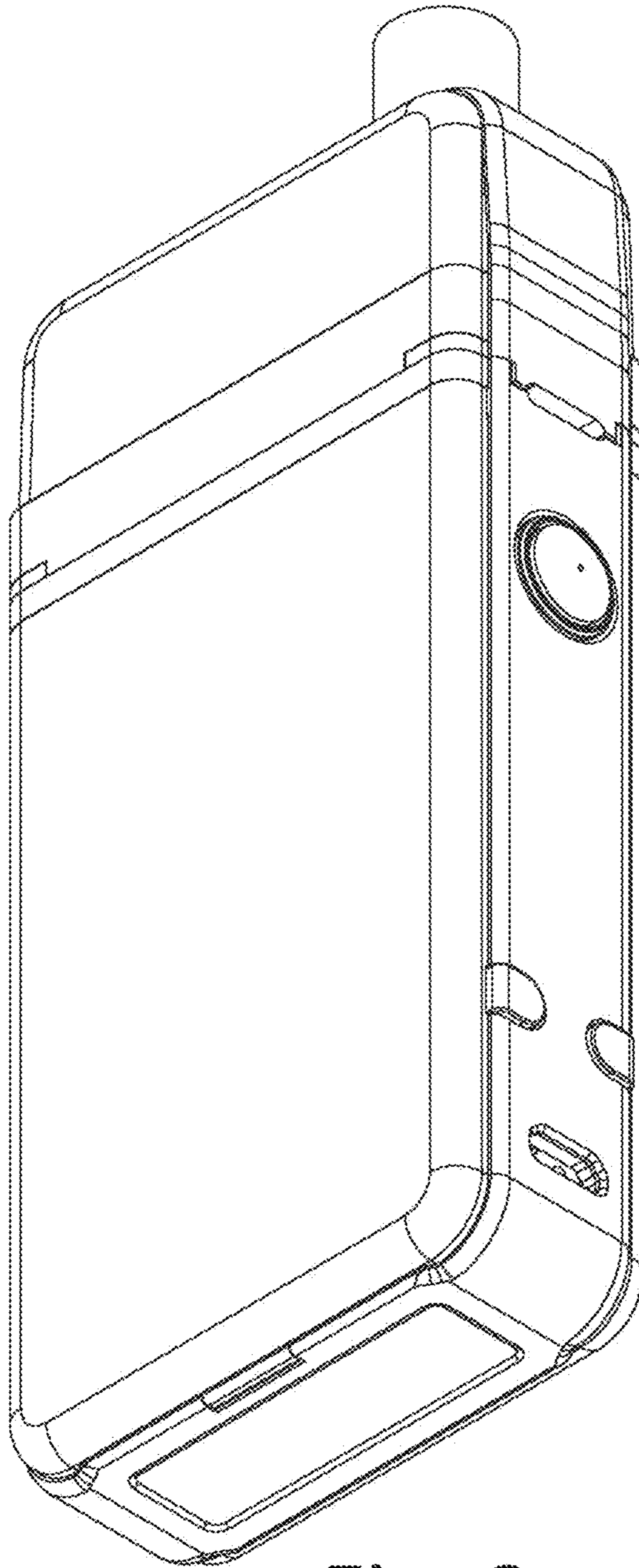


Fig. 8

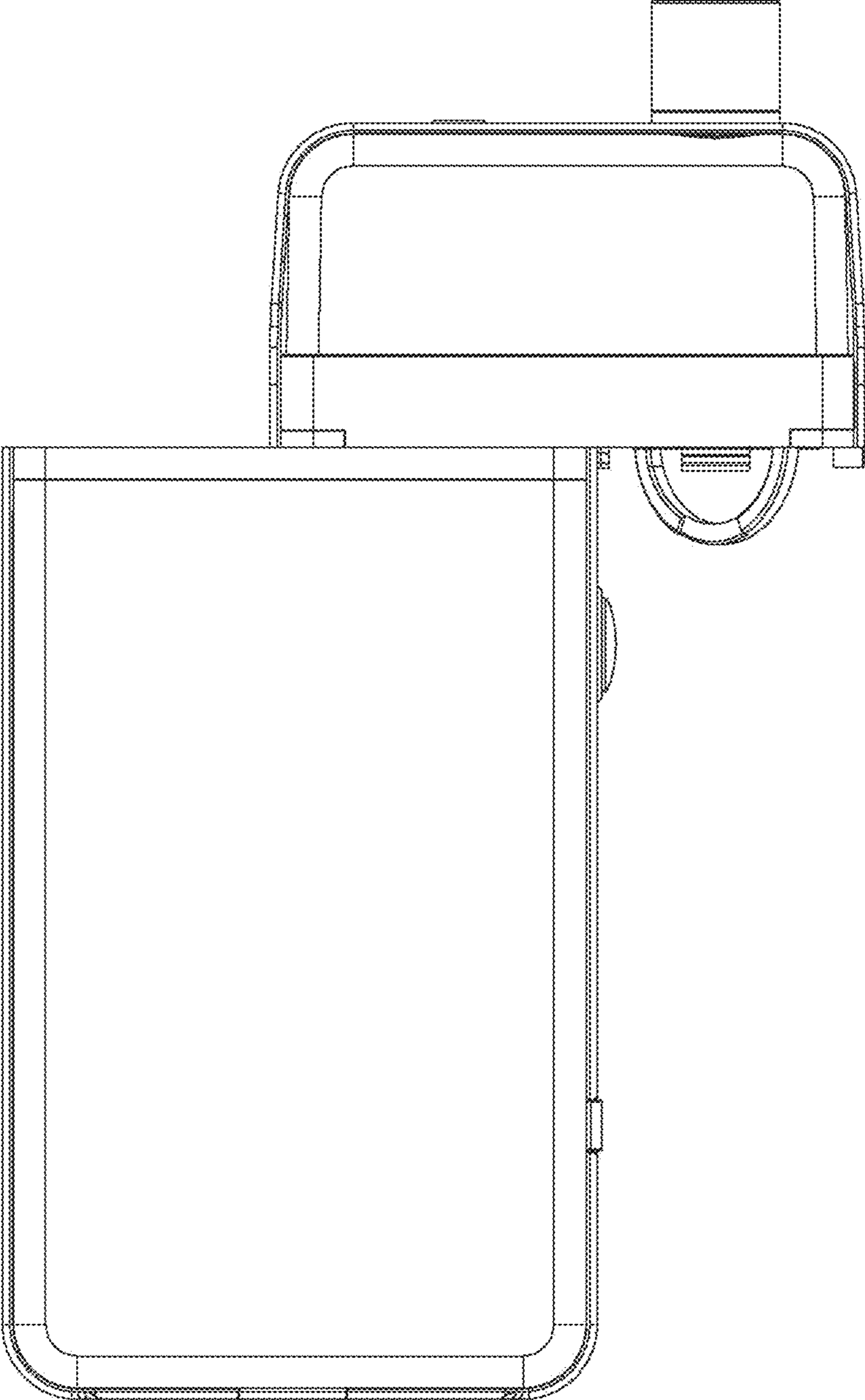


Fig. 9

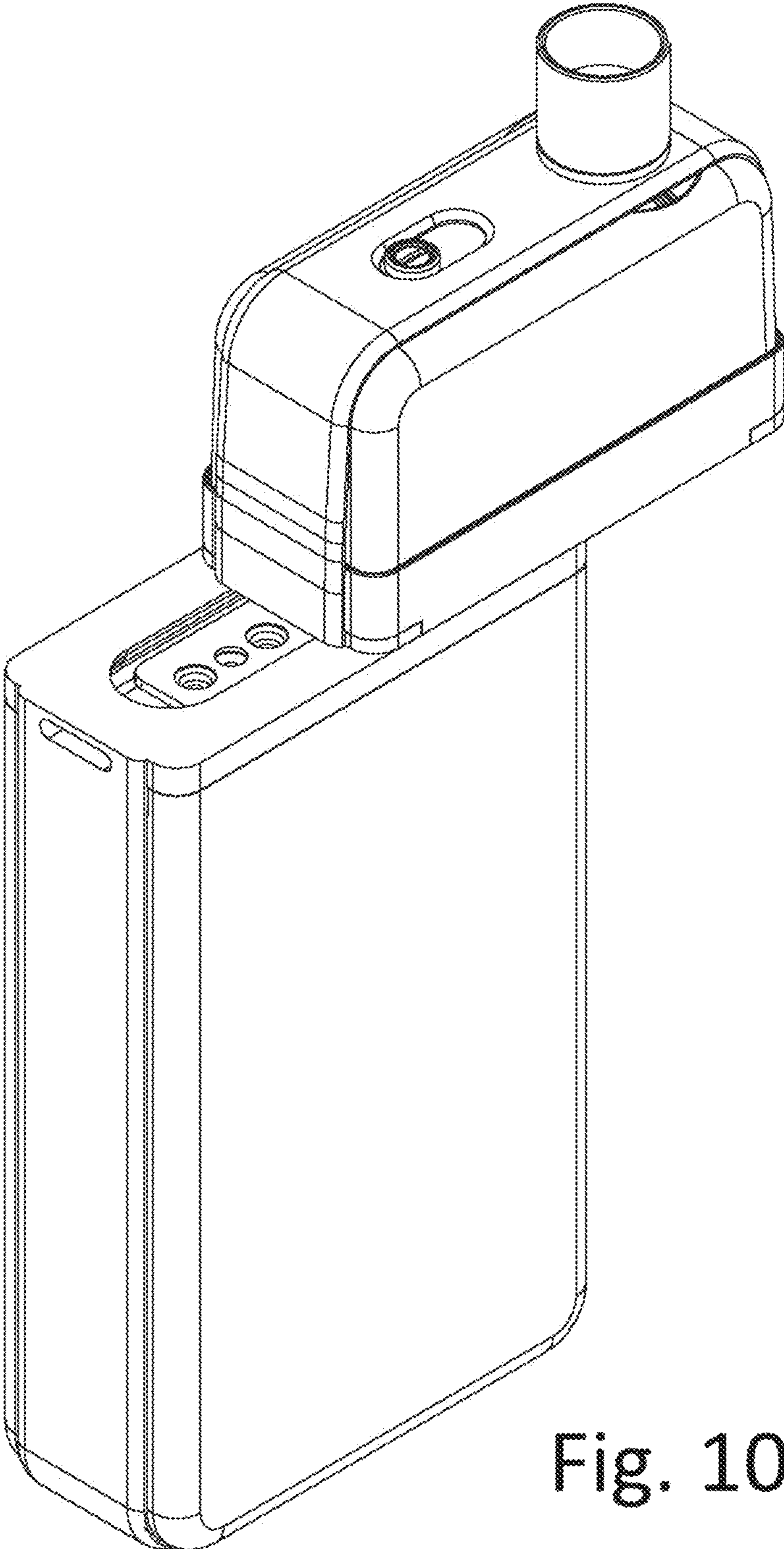


Fig. 10

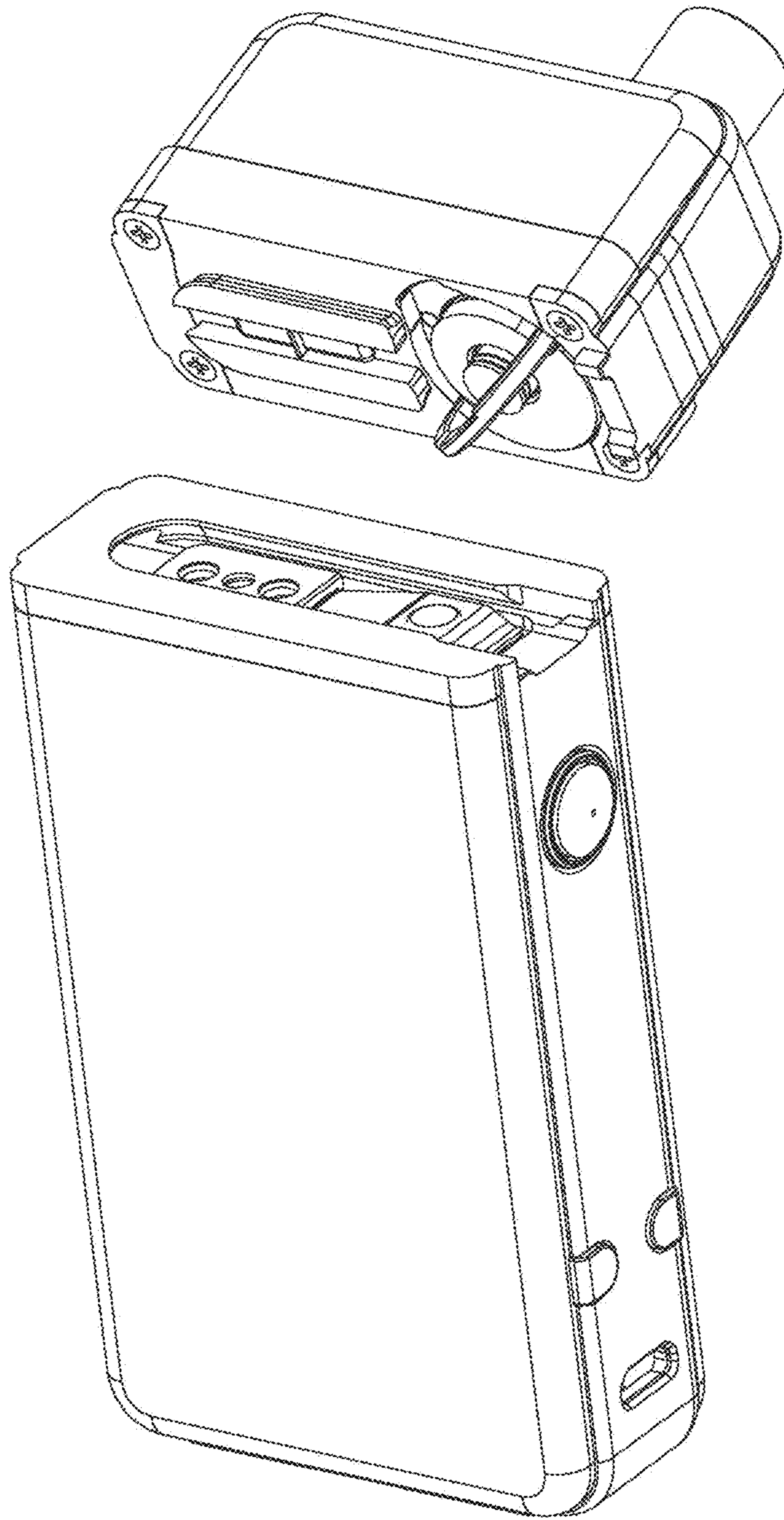


Fig. 11

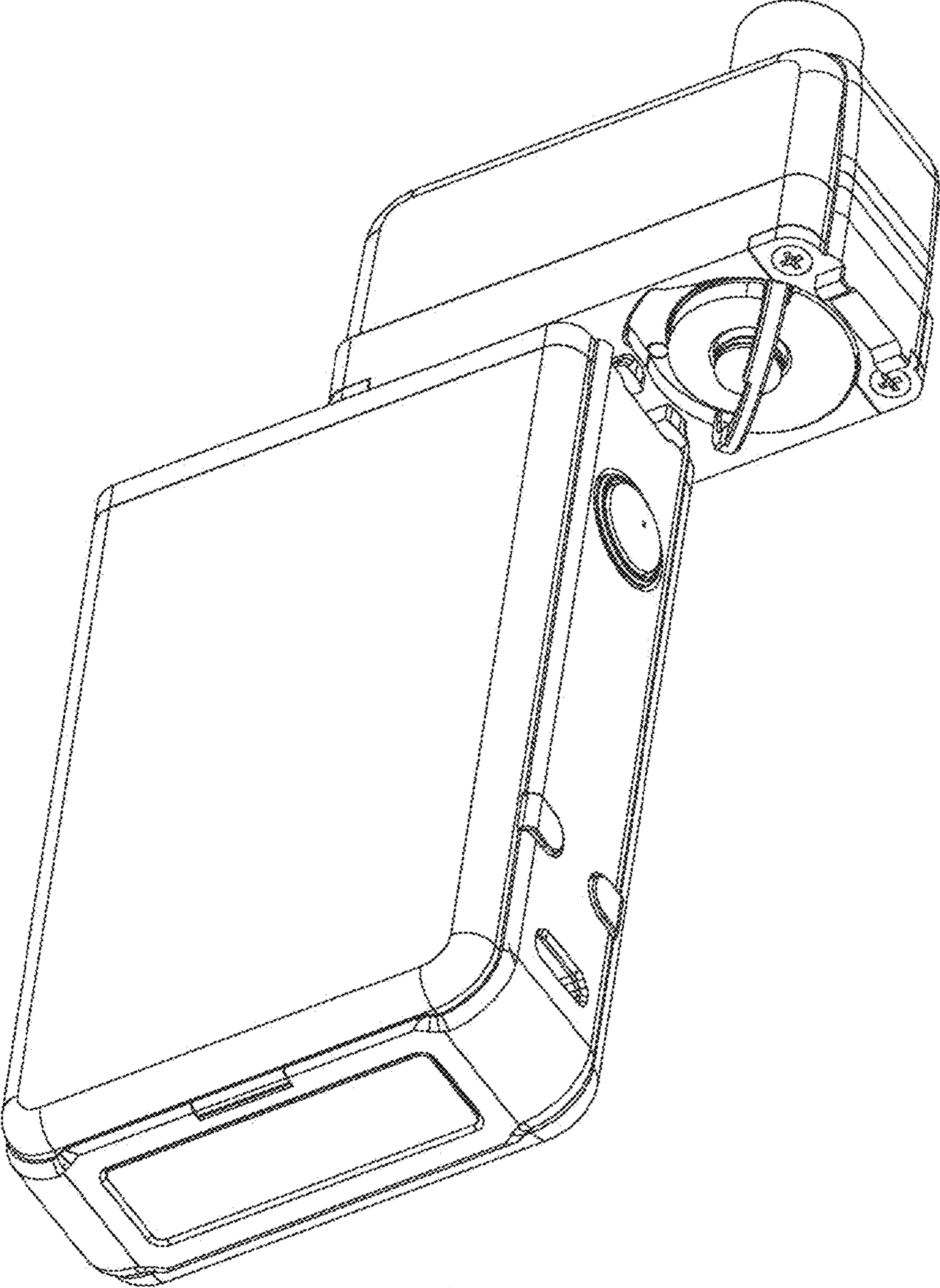


Fig. 12

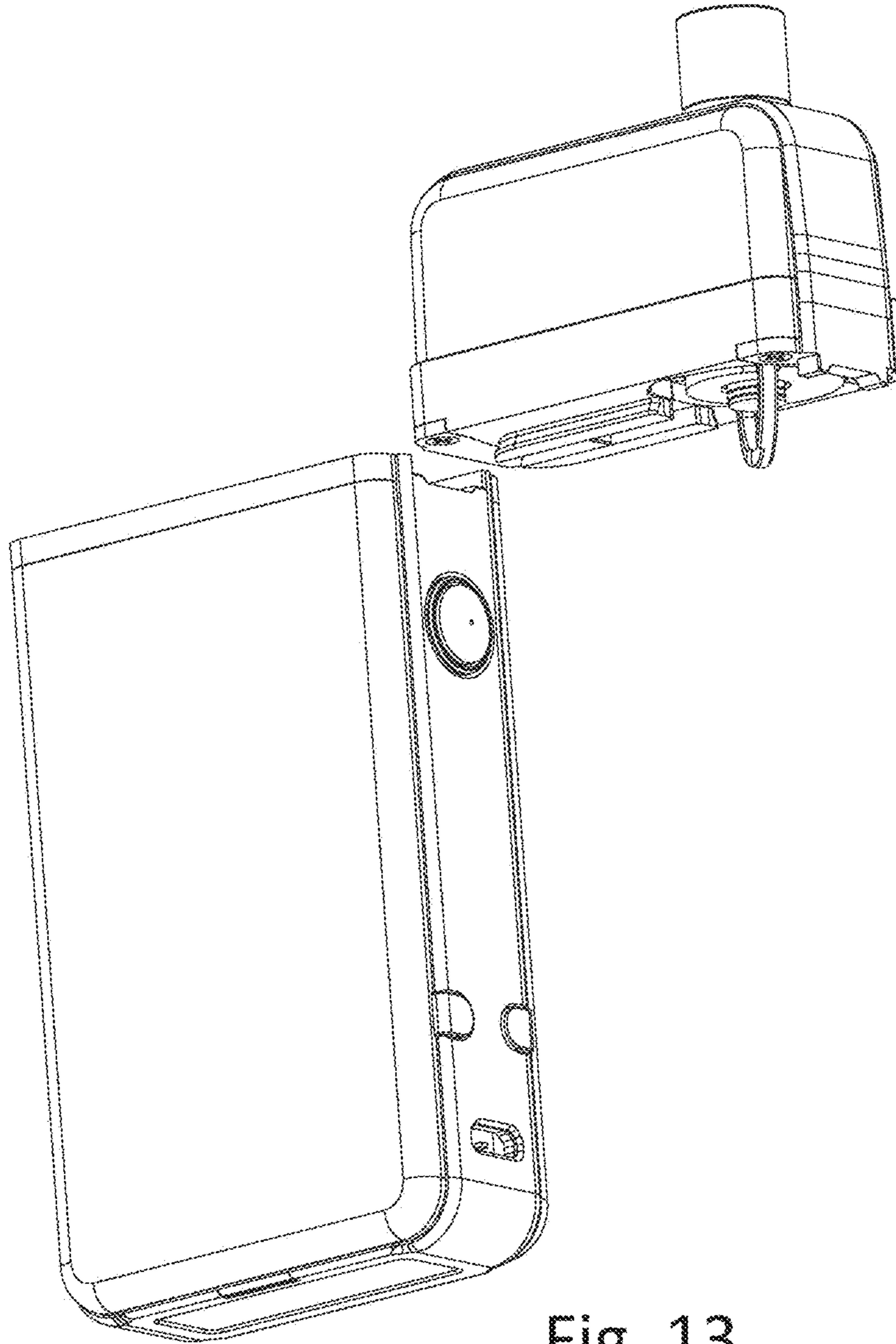


Fig. 13