



US00D799741S

(12) **United States Design Patent** (10) **Patent No.:** **US D799,741 S**
Liu (45) **Date of Patent:** **** Oct. 10, 2017**

(54) **ELECTRONIC CIGARETTE**
(71) Applicant: **Qiuming Liu**, Guangdong (CN)
(72) Inventor: **Qiuming Liu**, Guangdong (CN)
(73) Assignee: **KIMREE HI-TECH INC**, Road Town, Tortola (VG)

(**) Term: **14 Years**
(21) Appl. No.: **29/480,287**
(22) Filed: **Jan. 24, 2014**
(51) **LOC (10) Cl.** **27-01**
(52) **U.S. Cl.**
USPC **D27/101**

(58) **Field of Classification Search**
USPC D27/101, 162, 163, 167, 169, 170, 171, D27/172, 183, 193, 194; 131/71, 76, 131/100, 101, 167, 169, 172, 175, 187, 131/190, 191, 202, 227, 229, 333, 347, 131/361; D24/110
CPC A24F 7/00; A24F 7/02; A24F 7/04; A24F 13/10; A24F 47/002; A24D 3/04; A24D 3/046; A24D 1/04; A24D 3/00; A61M 15/06
See application file for complete search history.

(56) **References Cited**
U.S. PATENT DOCUMENTS
D125,122 S * 2/1941 Urben 131/187
3,396,733 A * 8/1968 Allseits A24D 3/0237
131/336
3,587,573 A * 6/1971 Flack A61M 15/06
128/203.21
D223,879 S * 6/1972 Chernack D27/194
3,720,235 A * 3/1973 Schrock F16L 11/121
128/204.18
D229,725 S * 12/1973 Berger 131/361

D229,788 S * 1/1974 Berger 131/361
D229,789 S * 1/1974 Berger 131/361
D229,790 S * 1/1974 Berger 131/361
D375,159 S * 10/1996 Johansson D23/266
D638,194 S * 5/2011 Lichstein D34/39
D646,431 S * 10/2011 Awty D27/101
D651,338 S * 12/2011 Awty D27/101
D685,522 S * 7/2013 Potter D27/101
8,499,766 B1 * 8/2013 Newton A24F 47/008
131/273

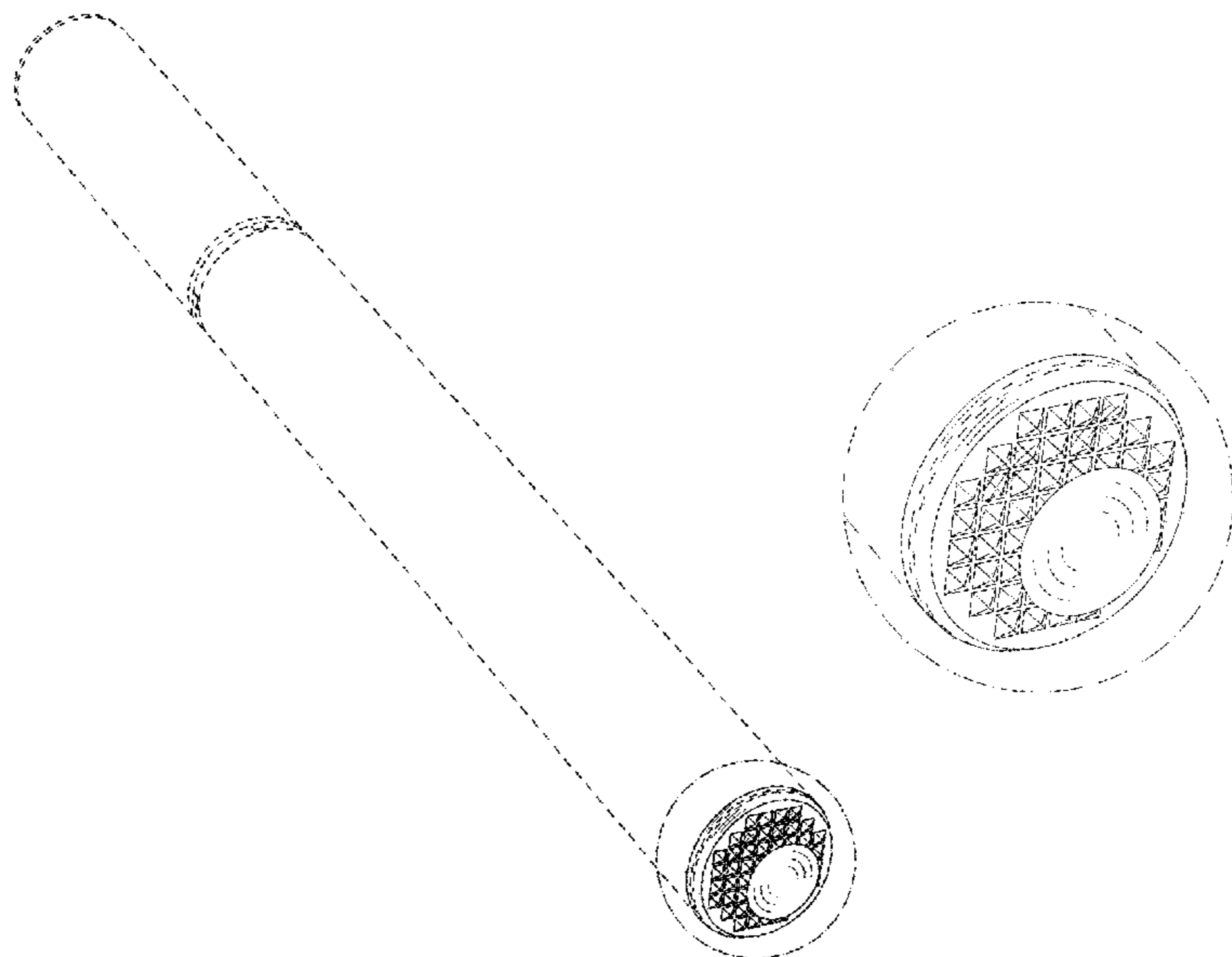
(Continued)

Primary Examiner — Janice Hallmark
(74) *Attorney, Agent, or Firm* — Tim Tingkang Xia, Esq.; Locke Lord LLP

(57) **CLAIM**
The ornamental design for an electronic cigarette, as shown and described.

DESCRIPTION
FIG. 1 is a front elevation view of an electronic cigarette showing my new design;
FIG. 2 is an enlarged detail view of the bottom end of the electronic cigarette;
FIG. 3 is a left side elevation view of the electronic cigarette;
FIG. 4 is a top plan view of the electronic cigarette;
FIG. 5 is a bottom plan view of the electronic cigarette;
FIG. 6 is an enlarged bottom plan view of the electronic cigarette;
FIG. 7 is a perspective view of the electronic cigarette; and, FIG. 8 is an enlarged detail perspective view of the bottom portion of the electronic cigarette.
The broken lines in the drawings depict parts of the electronic cigarette that form no part of the claimed design.
The rear elevation view and the right side elevation view of the product are omitted, because they are the same as the front elevation view and the left side elevation view, respectively.

1 Claim, 6 Drawing Sheets



(56)

References Cited

U.S. PATENT DOCUMENTS

8,539,959	B1 *	9/2013	Scatterday	A61M 15/06 131/194
D691,765	S *	10/2013	Tucker	D27/101
D695,449	S *	12/2013	Tucker	D27/101
D722,196	S *	2/2015	Tucker	D27/101
D724,262	S *	3/2015	Hearn	D27/101
D724,781	S *	3/2015	Hearn	D27/101
D726,364	S *	4/2015	Weigensberg	D27/101
D726,365	S *	4/2015	Weigensberg	D27/101
D728,852	S *	5/2015	Hearn	D27/101
D729,439	S *	5/2015	Scatterday	D27/101
D738,036	S *	9/2015	Tucker	D27/101
D738,566	S *	9/2015	Tucker	D27/101
D738,567	S *	9/2015	Tucker	D27/101
2014/0238421	A1 *	8/2014	Shapiro	A24F 47/008 131/328

* cited by examiner

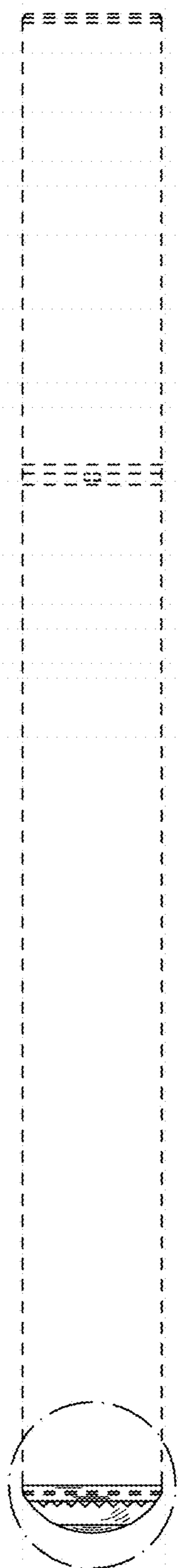


Fig. 1

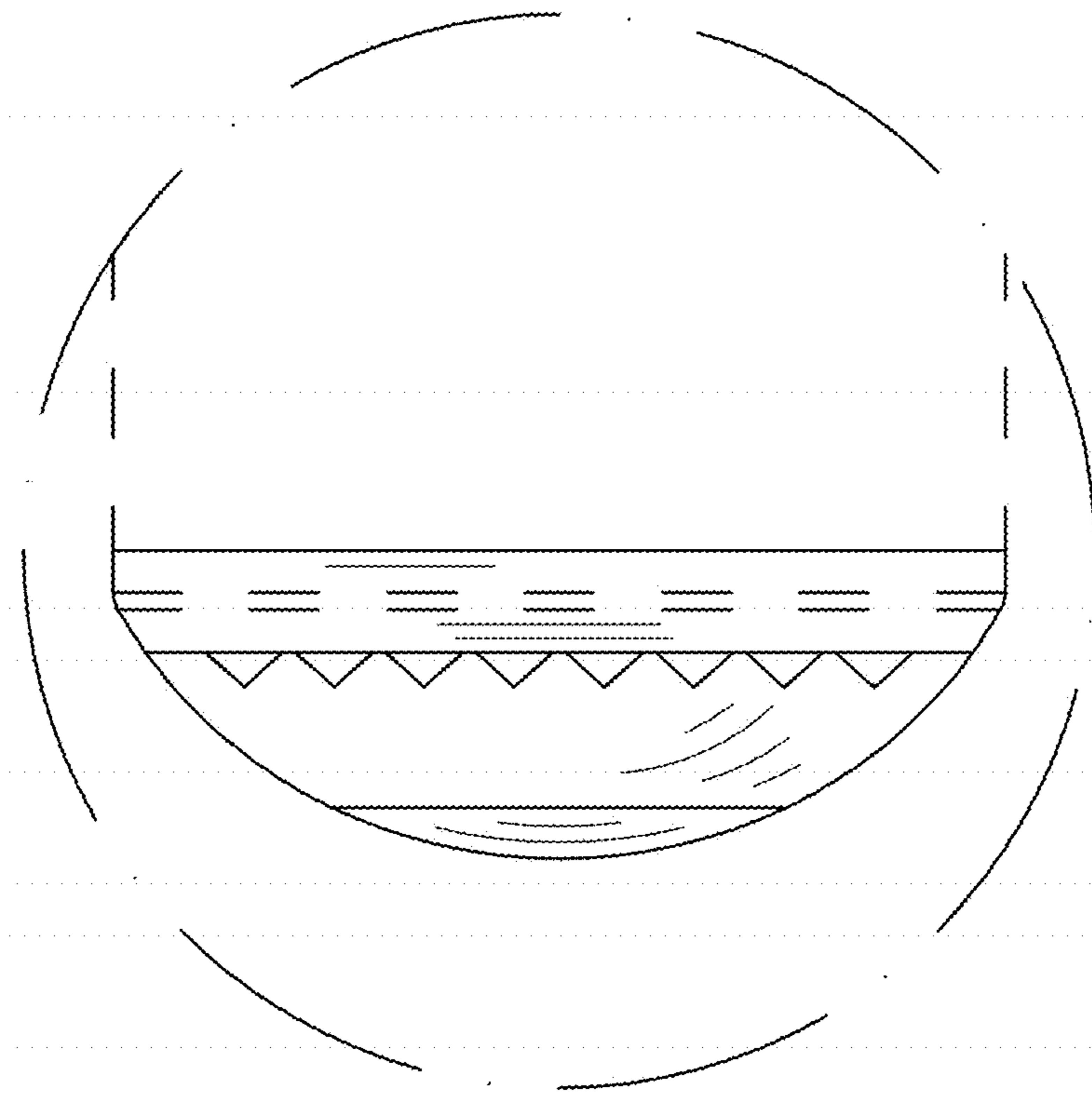


Fig. 2



Fig. 3

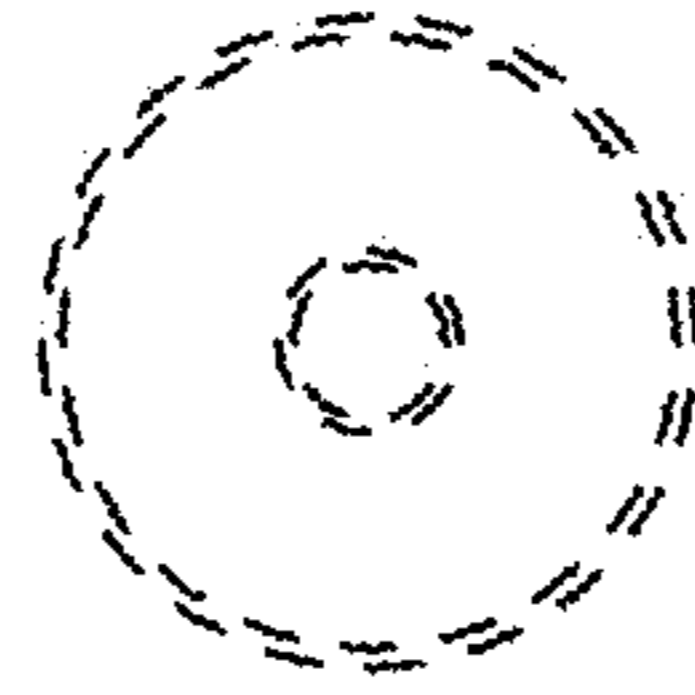


Fig. 4

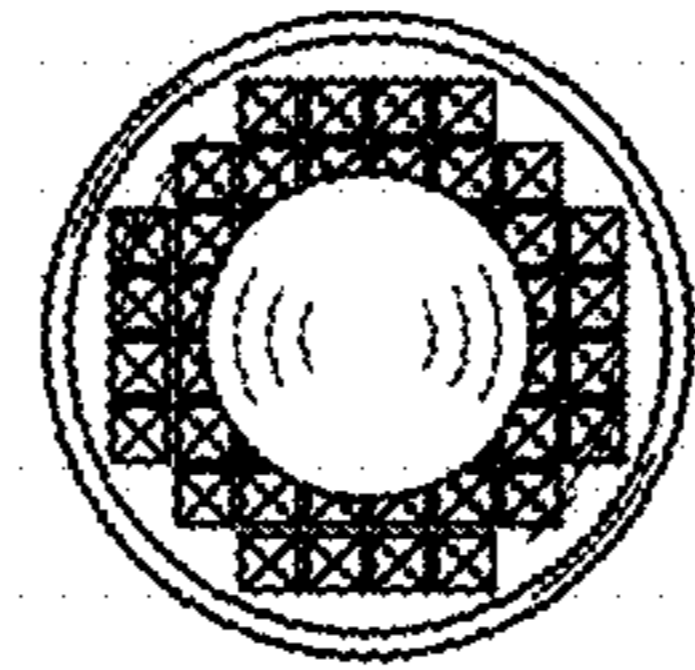


Fig. 5

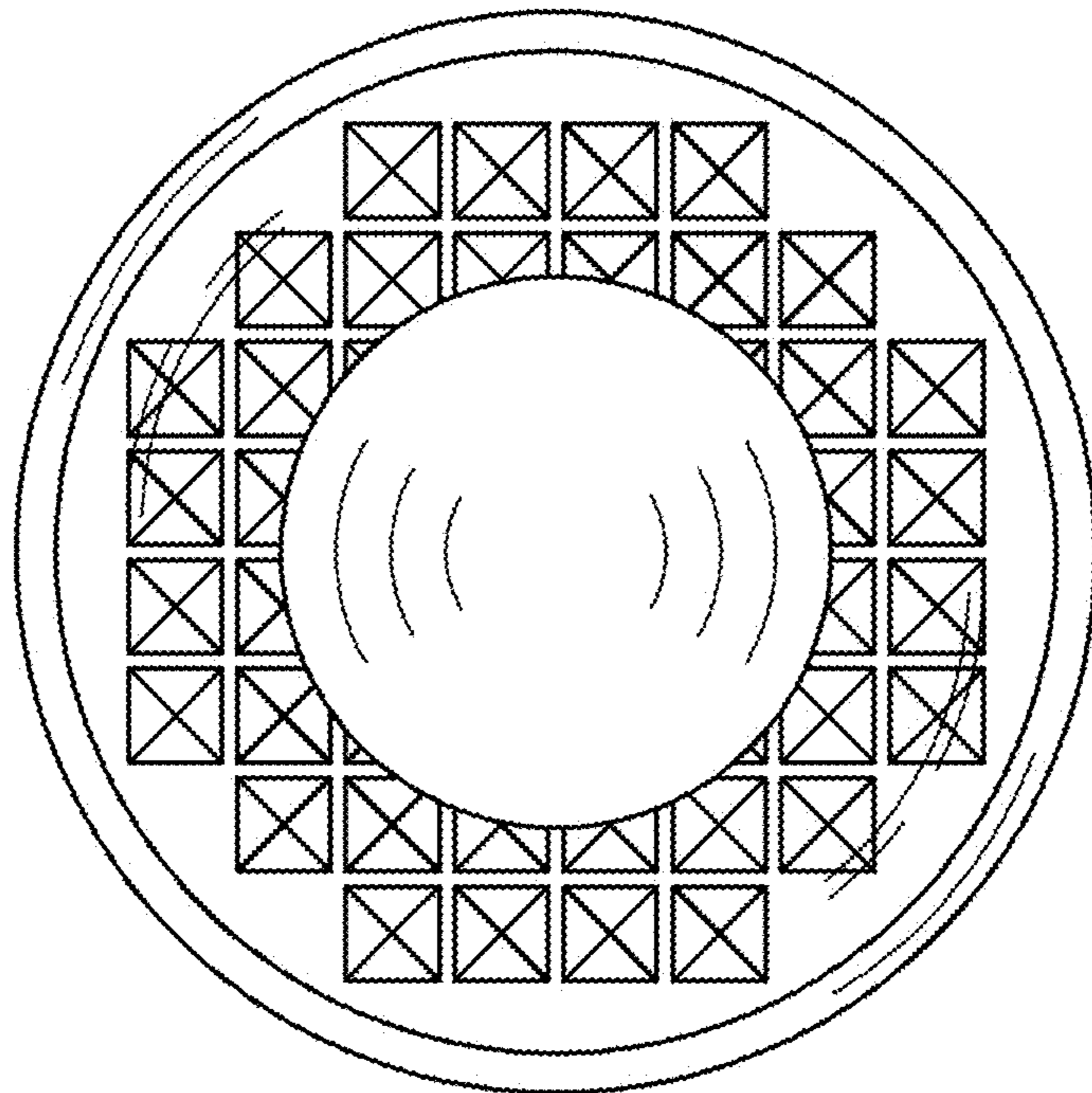


Fig. 6

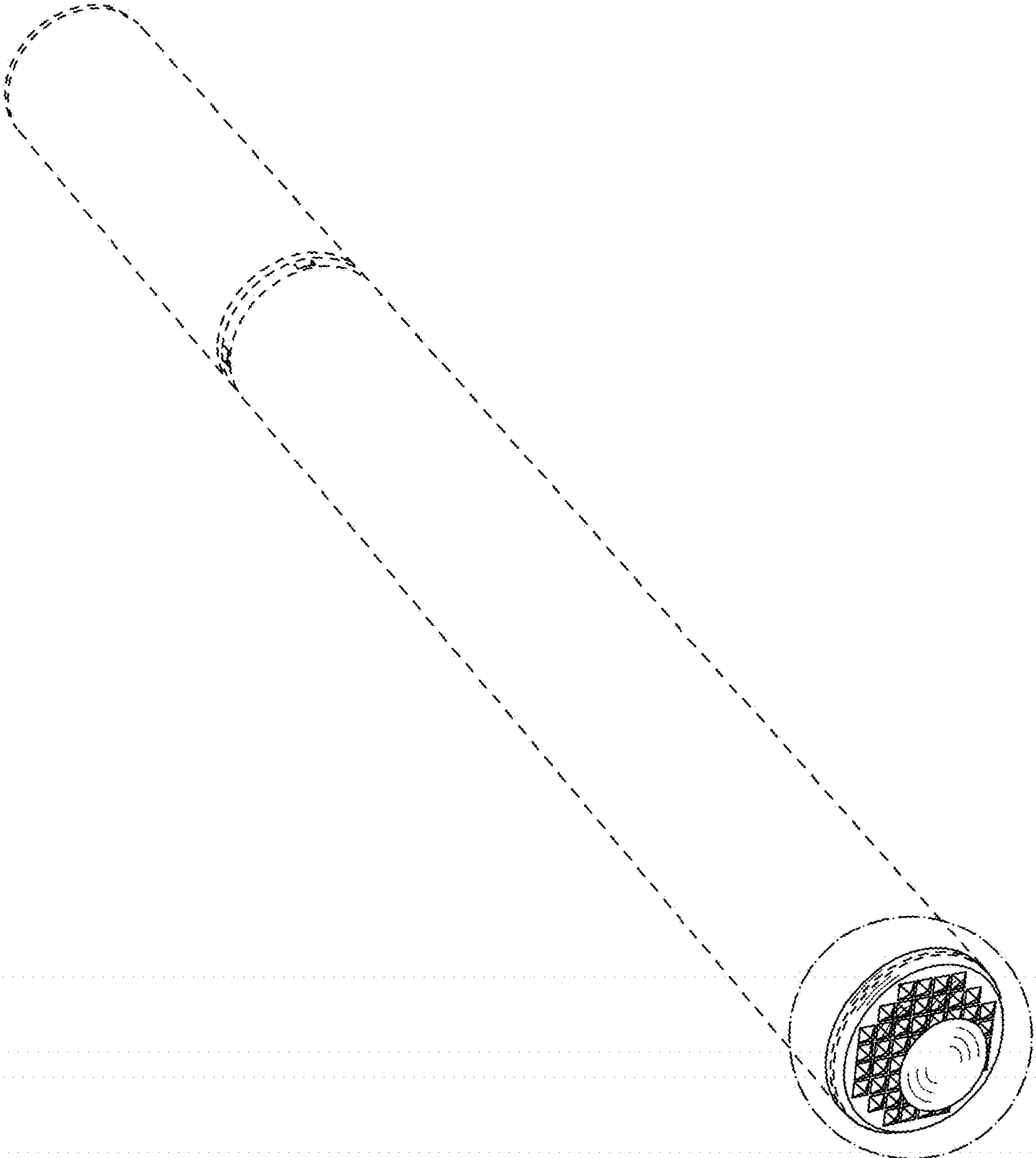


Fig. 7

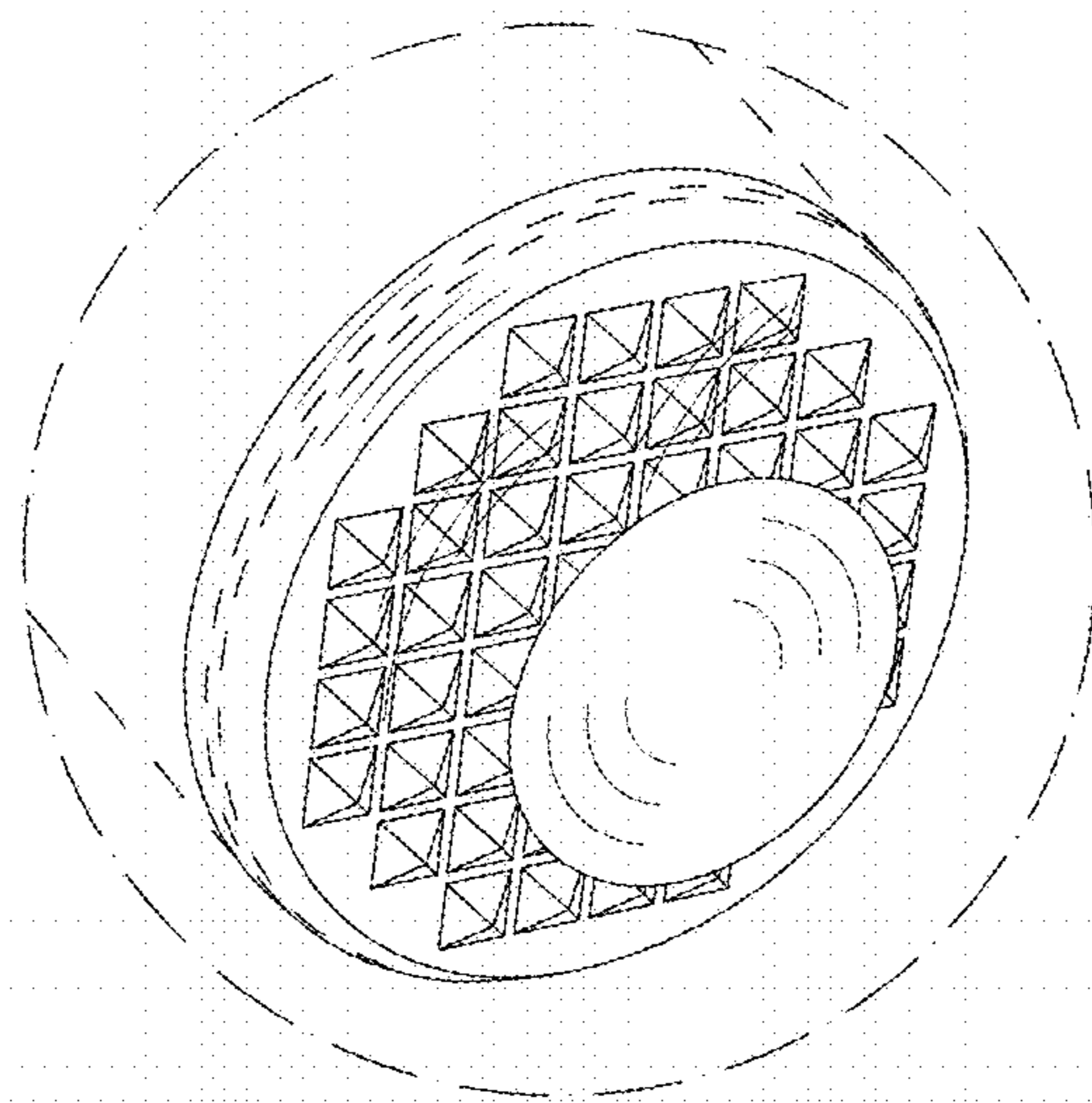


Fig. 8