



US00D799737S

(12) **United States Design Patent**
Li et al.

(10) **Patent No.:** **US D799,737 S**
(45) **Date of Patent:** **** Oct. 10, 2017**

(54) **SOLAR LIGHT BULB**

(56) **References Cited**

(71) Applicants: **True Solar (s) Pte Ltd**, Singapore (SG); **True Solar USA Inc**, Santa Clara, CA (US)

U.S. PATENT DOCUMENTS

D225,676 S *	12/1972	Bankert et al.	D26/67
D455,514 S *	4/2002	Cheong	D26/68
D471,307 S *	3/2003	Yung	D26/67
D495,083 S *	8/2004	Lam	D26/63
D496,484 S *	9/2004	Lam	D26/63

(72) Inventors: **Yi Li**, Shenzhen (CN); **Yautong Cheng**, Shenzhen (CN); **Zhendong Xia**, Shenzhen (CN)

* cited by examiner

(73) Assignees: **TRUE SOLAR (S) PTE LTD**, Singapore (SG); **TRUE SOLAR USA INC**, Santa Clara, CA (US)

Primary Examiner — Brian N Vinson

(74) *Attorney, Agent, or Firm* — Anova Law Group, PLLC

(**) Term: **15 Years**

(57) **CLAIM**

The ornamental design for a solar light bulb, as shown and described.

(21) Appl. No.: **29/557,230**

DESCRIPTION

(22) Filed: **Mar. 7, 2016**

(30) **Foreign Application Priority Data**

Sep. 24, 2015 (CN) 2015 3 0373014

(51) **LOC (10) Cl.** **29-99**

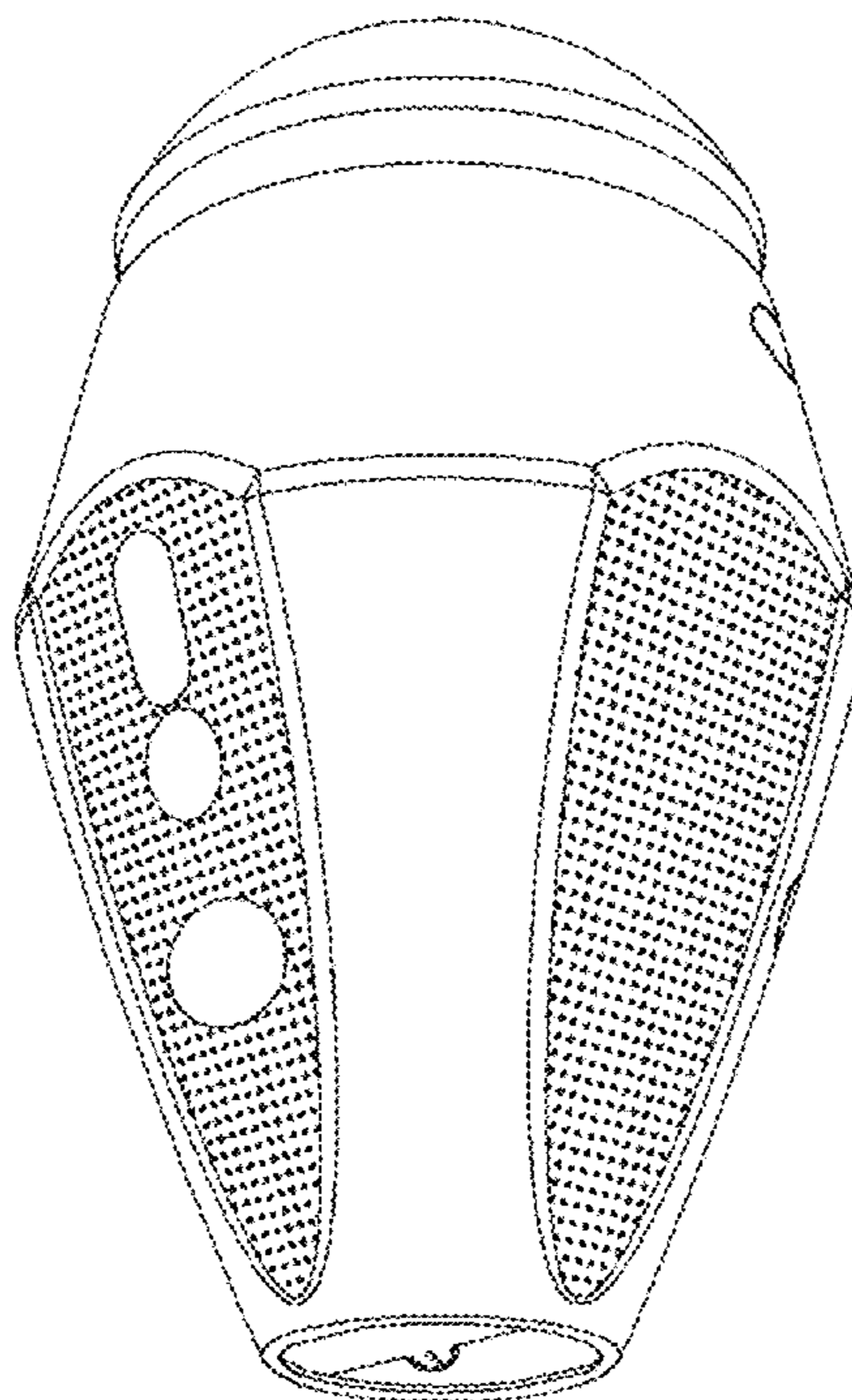
(52) **U.S. Cl.**
USPC **D26/118**

(58) **Field of Classification Search**
USPC D26/63, 67-70, 113, 118
CPC F21S 8/08; F21S 8/081; F21S 8/083; F21S 8/088; F21S 9/03; F21S 9/032; F21S 9/035; F21S 9/037; F21W 2131/109; F21W 2111/023; F21V 21/0824

FIG. 1 is a perspective view of a solar light bulb in accordance with the present invention;
FIG. 2 is a front view of the solar light bulb shown in FIG. 1;
FIG. 3 is a back view of the solar light bulb shown in FIG. 1;
FIG. 4 is a top view of the solar light bulb shown in FIG. 1;
FIG. 5 is a bottom view of the solar light bulb shown in FIG. 1;
FIG. 6 is a left side view of the solar light bulb shown in FIG. 1; and,
FIG. 7 is a right side view of the solar light bulb shown in FIG. 1.

See application file for complete search history.

1 Claim, 7 Drawing Sheets



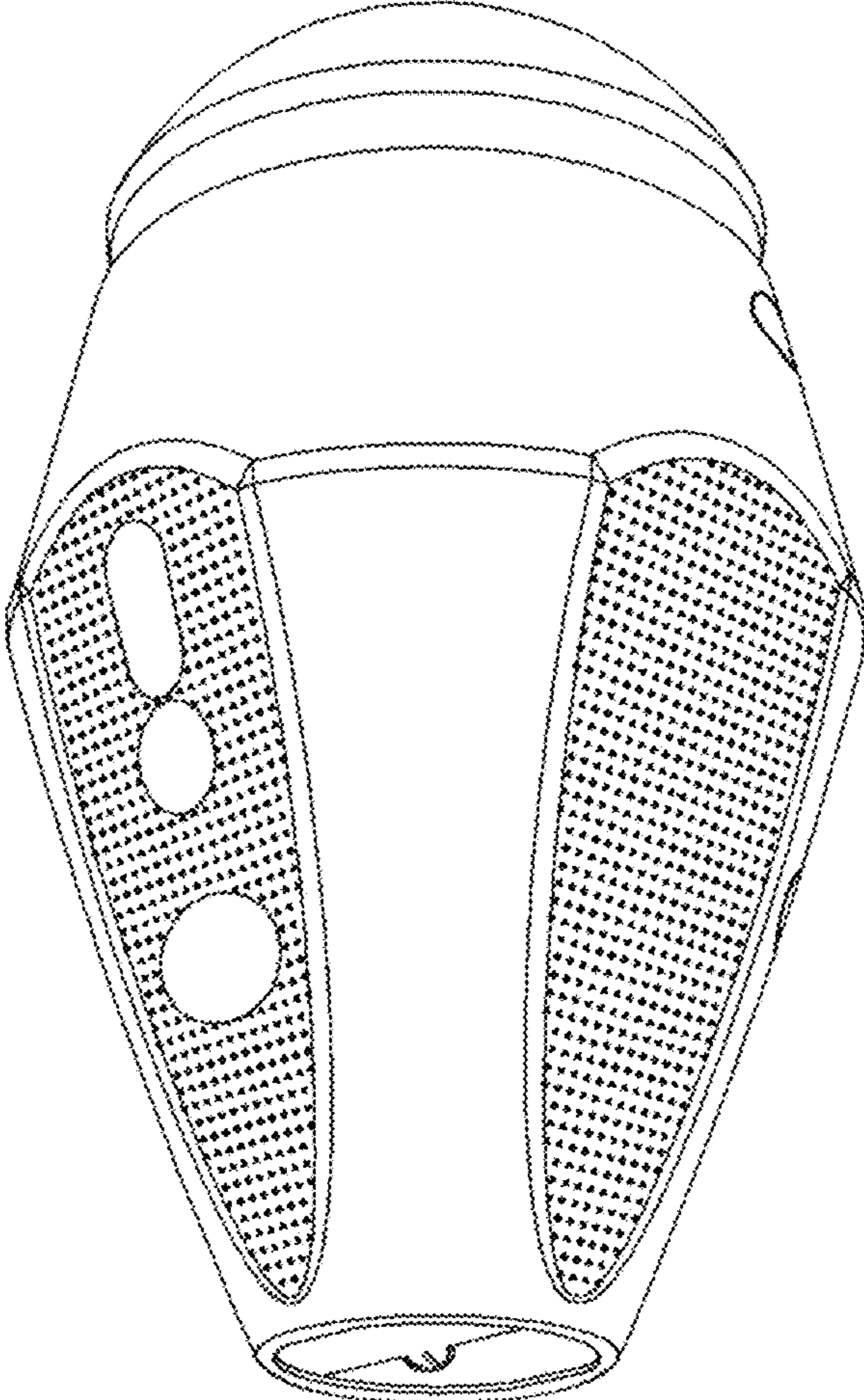


FIG. 1

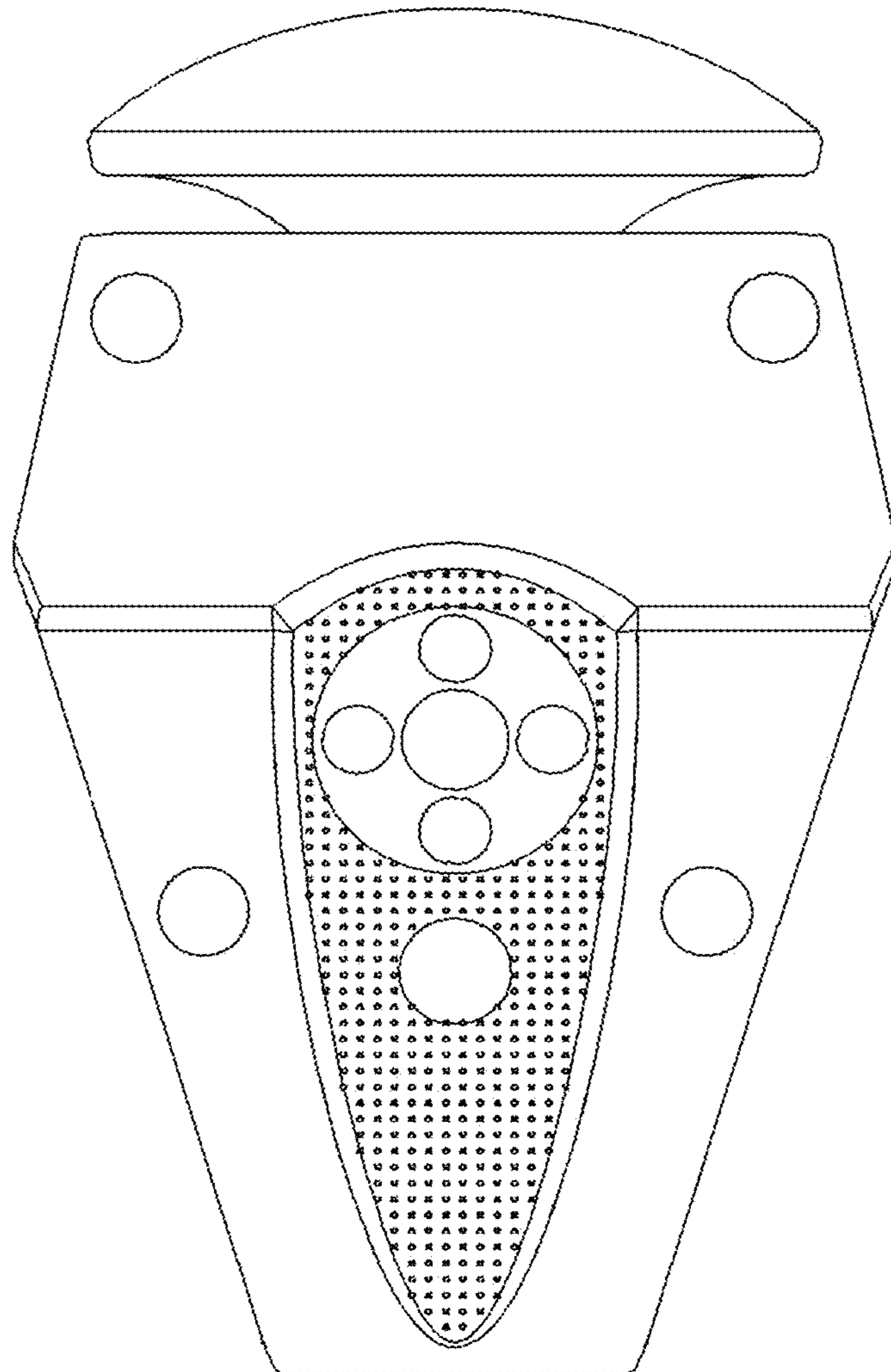


FIG. 2

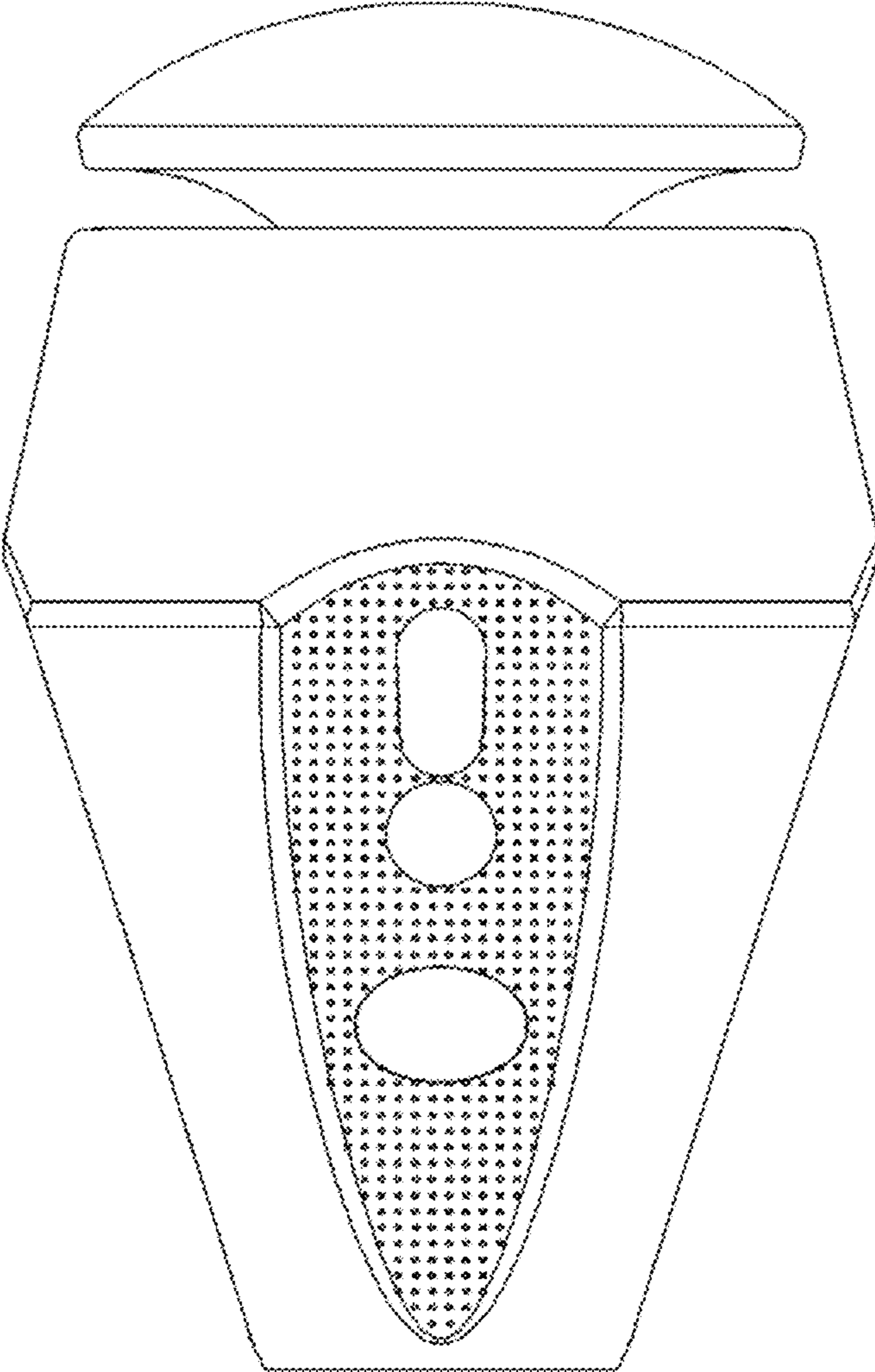


FIG. 3

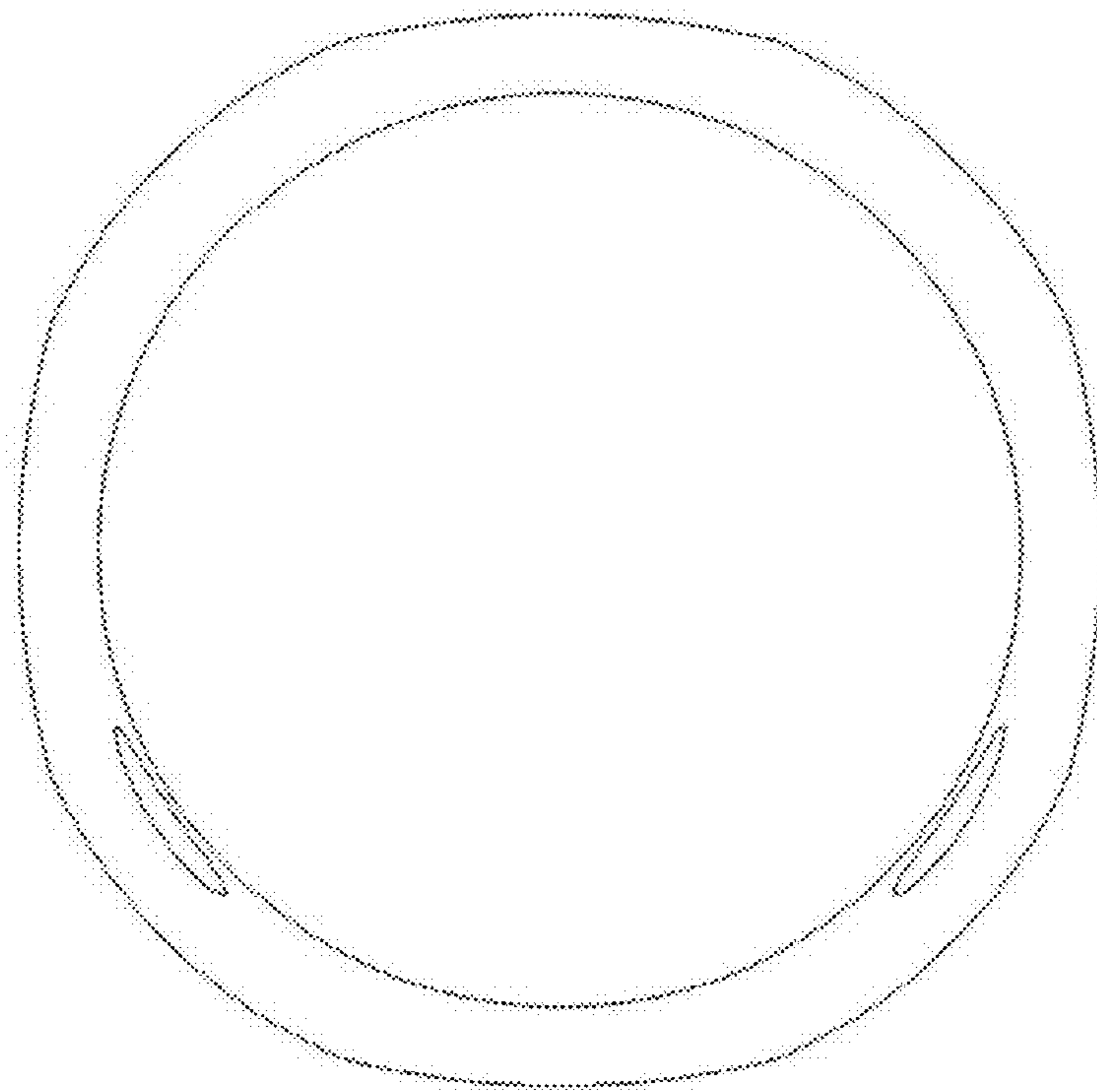


FIG. 4

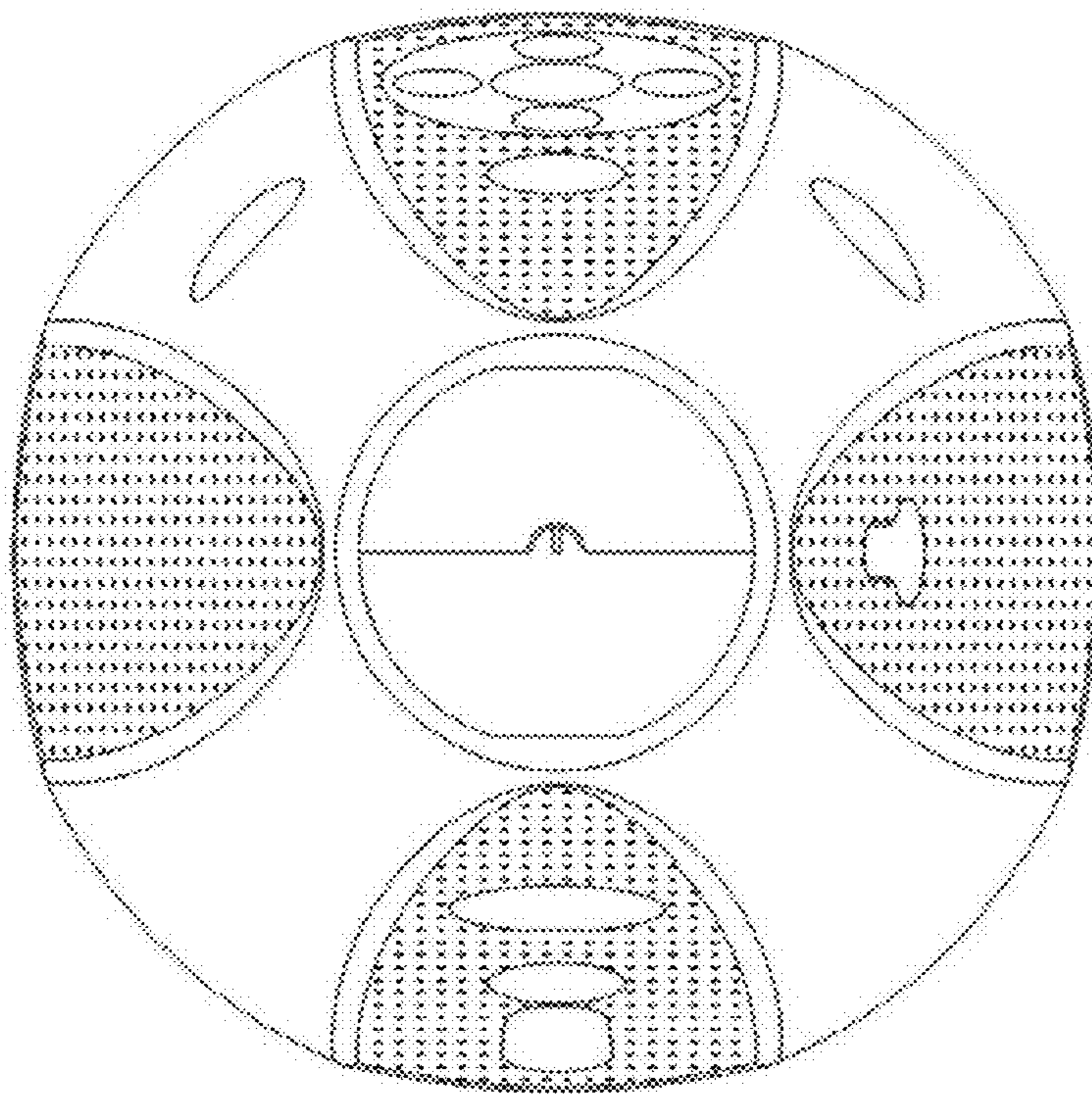


FIG. 5

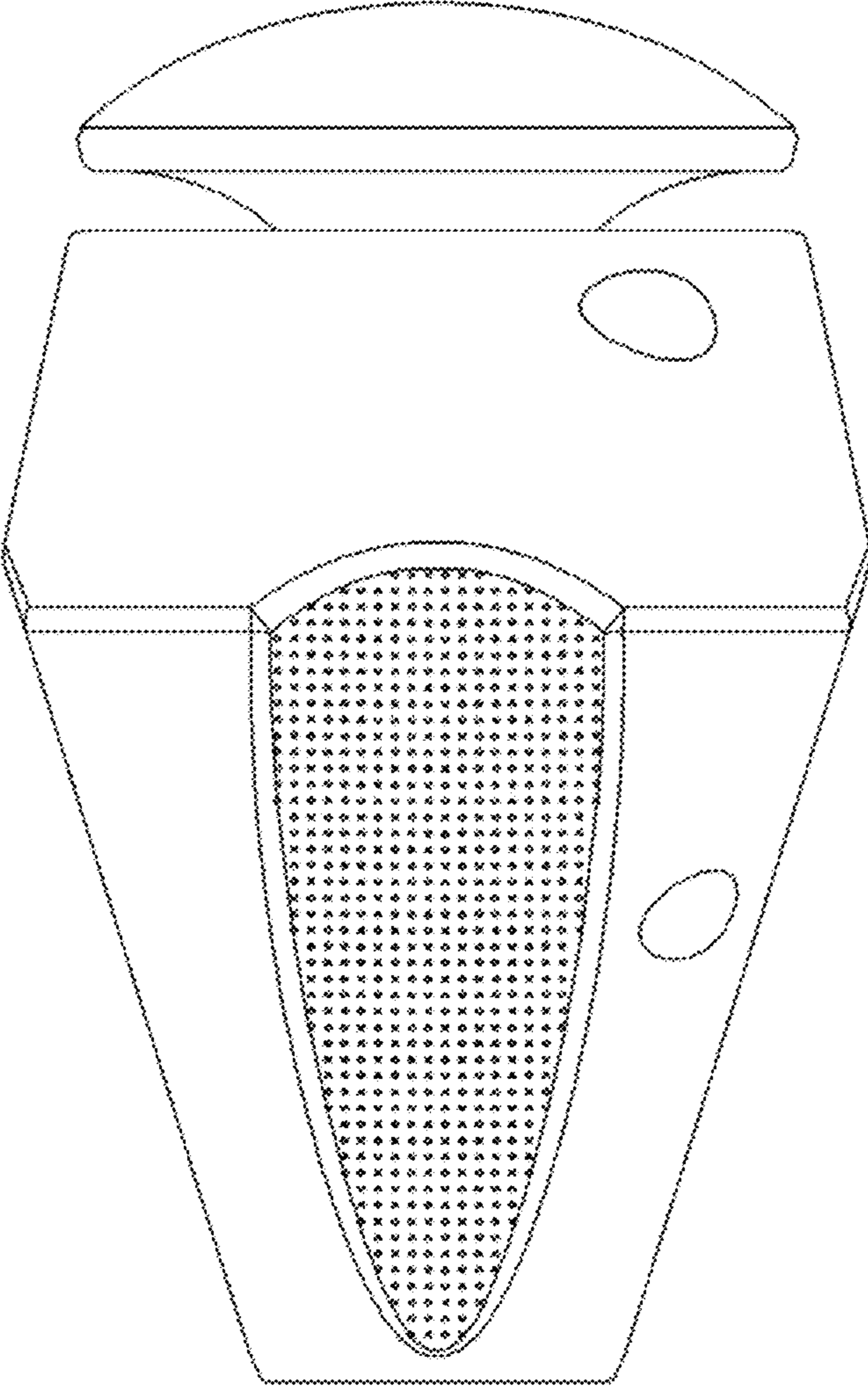


FIG. 6

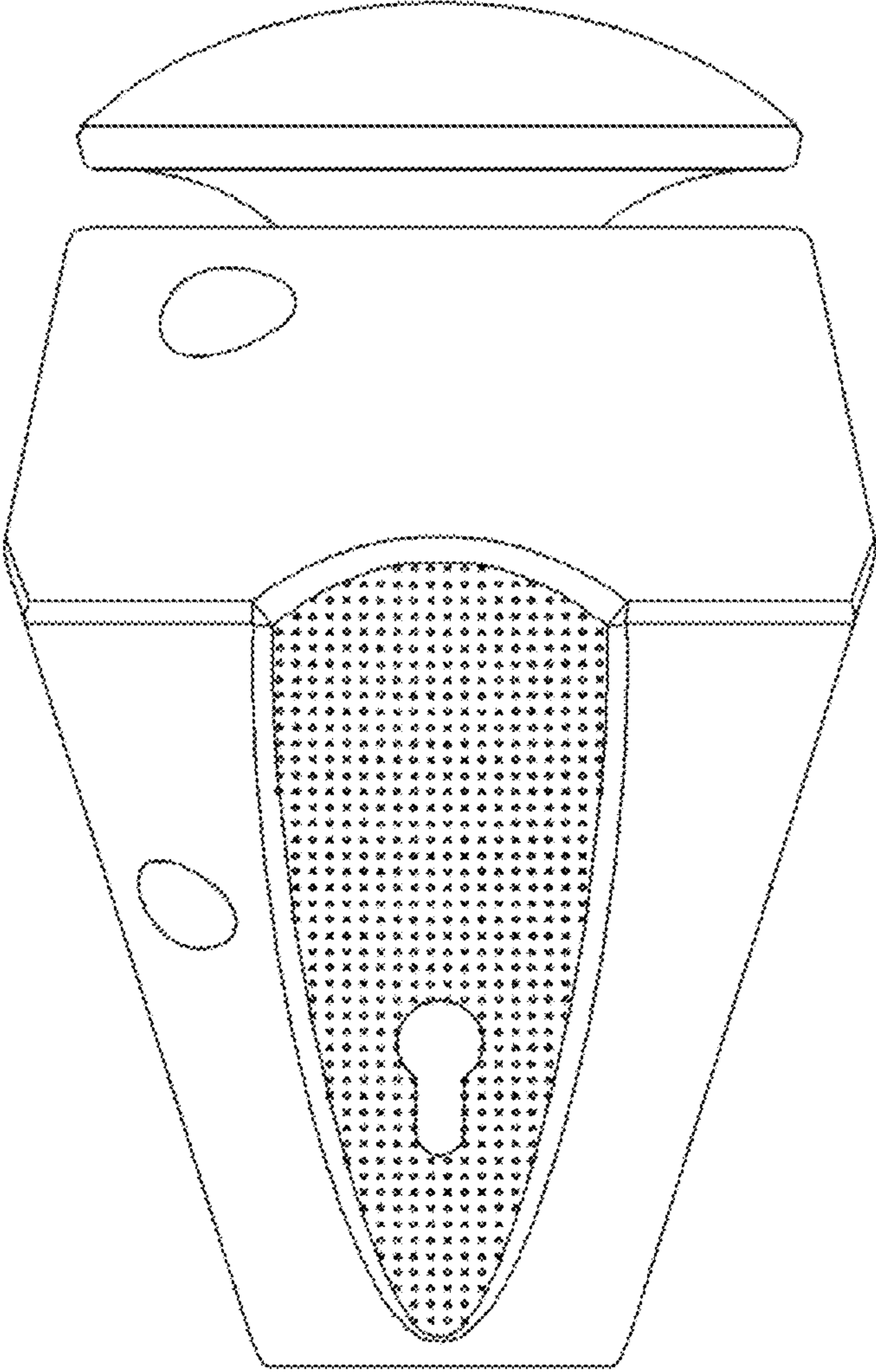


FIG. 7