



US00D799735S

(12) **United States Design Patent**
Sonneman

(10) **Patent No.:** **US D799,735 S**

(45) **Date of Patent:** **** Oct. 10, 2017**

(54) **LIGHT FIXTURE**

(71) Applicant: **Robert A. Sonneman**, Mamaroneck,
NY (US)

(72) Inventor: **Robert A. Sonneman**, Mamaroneck,
NY (US)

(**) Term: **15 Years**

(21) Appl. No.: **29/601,765**

(22) Filed: **Apr. 26, 2017**

(51) **LOC (10) Cl.** **26-03**

(52) **U.S. Cl.**
USPC **D26/85**

(58) **Field of Classification Search**
USPC D26/72, 76, 85, 87, 89, 120
CPC F21S 8/03; F21S 8/031; F21S 8/033; F21S
8/035; F21S 8/036; F21S 8/037; F21V
1/12; F21V 7/05

See application file for complete search history.

(56) **References Cited**

U.S. PATENT DOCUMENTS

4,562,515	A *	12/1985	Lautzenheiser	F21S 8/00 362/127
5,297,011	A *	3/1994	Triunfol	E04F 19/028 362/147
D496,746	S *	9/2004	Herst	D26/118
D585,581	S *	1/2009	Purcell	D26/76
D602,626	S *	10/2009	Santoro	D26/76
D690,871	S *	10/2013	Kitts	D26/85
D702,390	S *	4/2014	Clark	D26/76
D743,086	S *	11/2015	Blum	D26/120
D744,691	S *	12/2015	Kitts	D26/85
D765,300	S *	8/2016	Couture	D26/85

D766,487	S *	9/2016	Cai	D26/76
D782,099	S *	3/2017	Orozco	D26/85
2015/0070883	A1 *	3/2015	Clark	F21S 2/005 362/219

OTHER PUBLICATIONS

Ethos Medium Vintage Platinum LED Wall Sconce by Hubbardton Forge. found at ylighting.com visited Jun. 2, 2014.*

* cited by examiner

Primary Examiner — Clare E Heflin

(74) *Attorney, Agent, or Firm* — Gottlieb, Rackman & Reisman, P.C.

(57) **CLAIM**

The ornamental design for a light fixture, as shown and described.

DESCRIPTION

FIG. 1 is a perspective view of the light fixture showing my new design;

FIG. 2 is a left side elevational view thereof,

FIG. 3 is a right side elevational view thereof;

FIG. 4 is a front elevational view thereof;

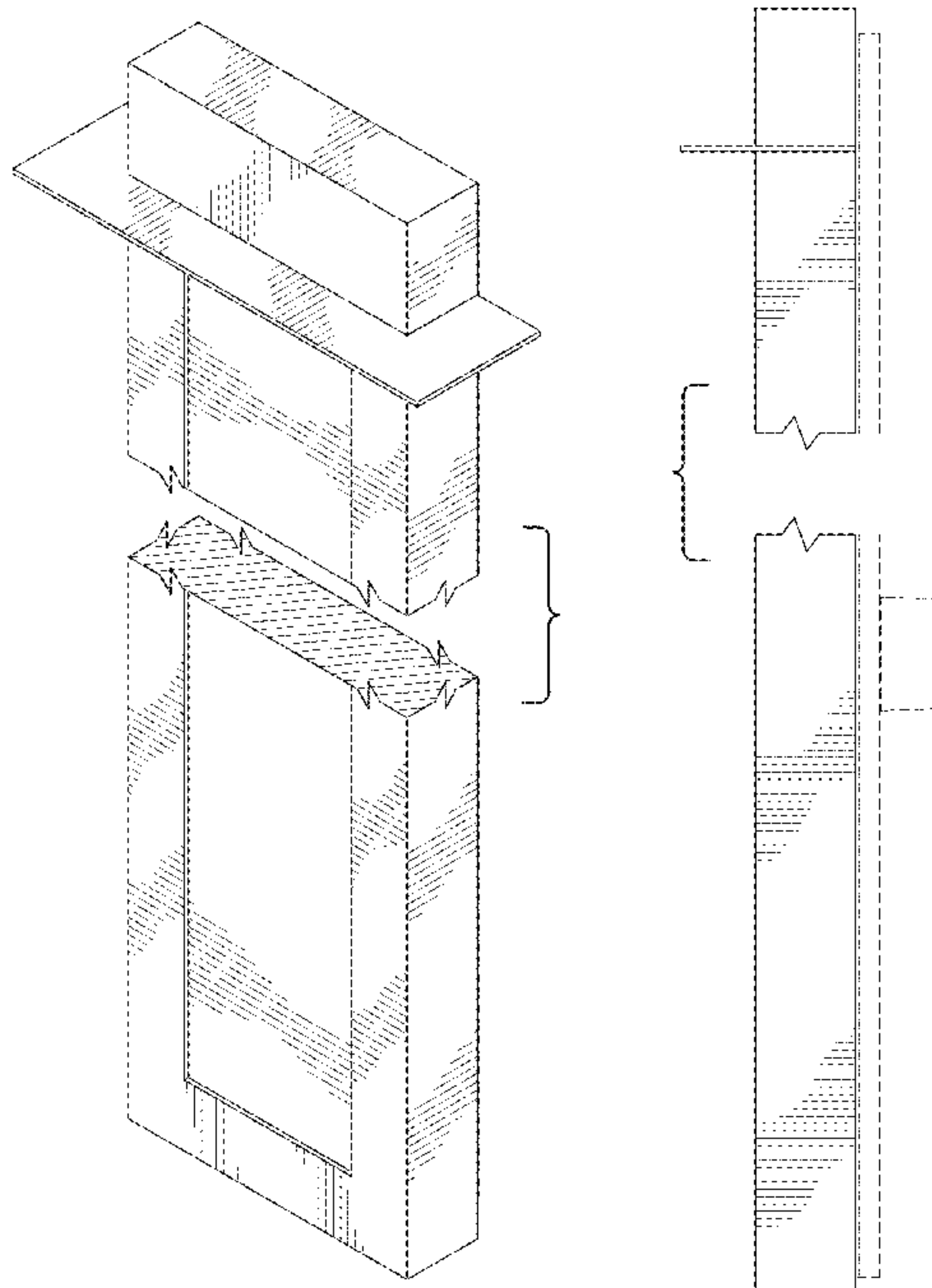
FIG. 5 is a rear elevational view thereof;

FIG. 6 is a top plan view thereof; and,

FIG. 7 is a bottom plan thereof.

The break lines in FIGS. 1-5 are to indicate that the appearance of any portion of the light fixture between the break lines form no part of the claimed design, and the broken lines shown in the drawings are included for the purpose of illustrating portions of the article that form no part of the claimed design as well.

1 Claim, 7 Drawing Sheets



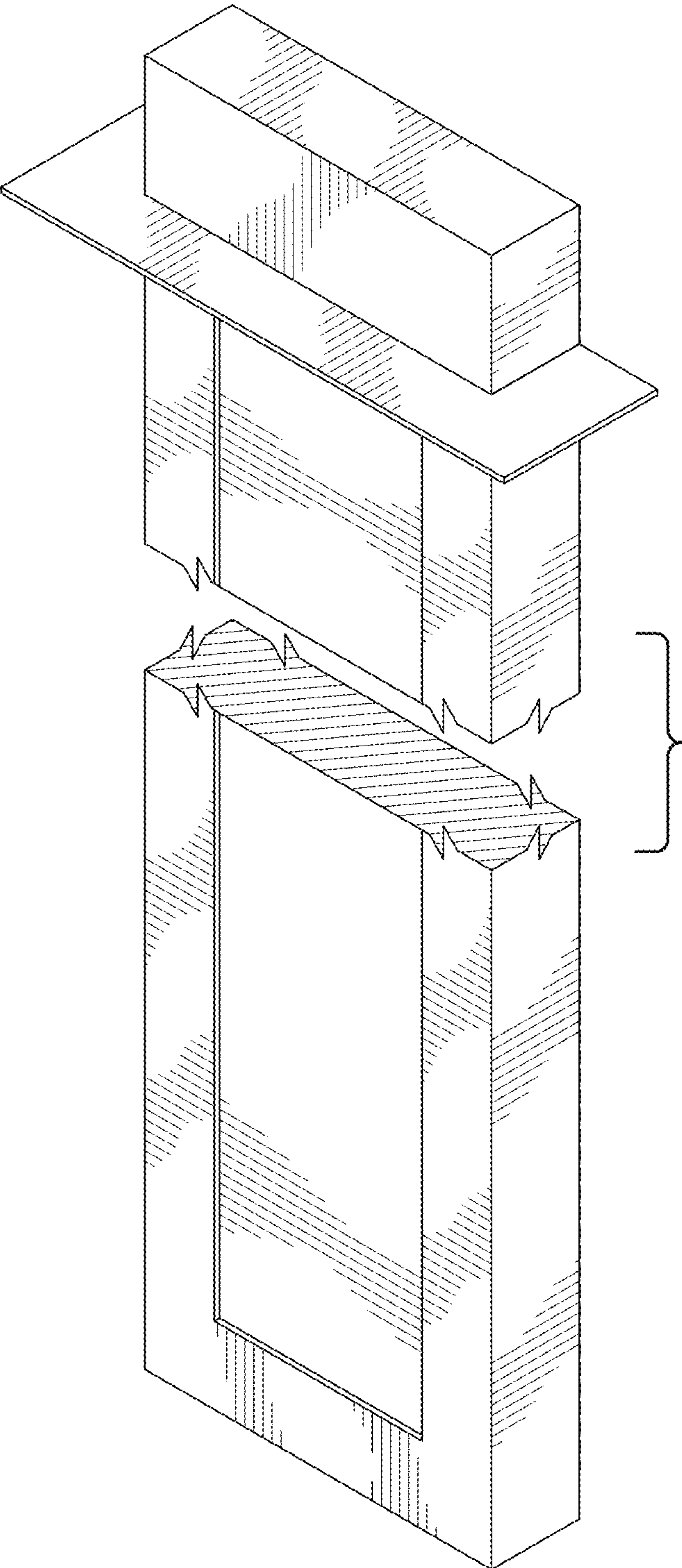


FIG. 1

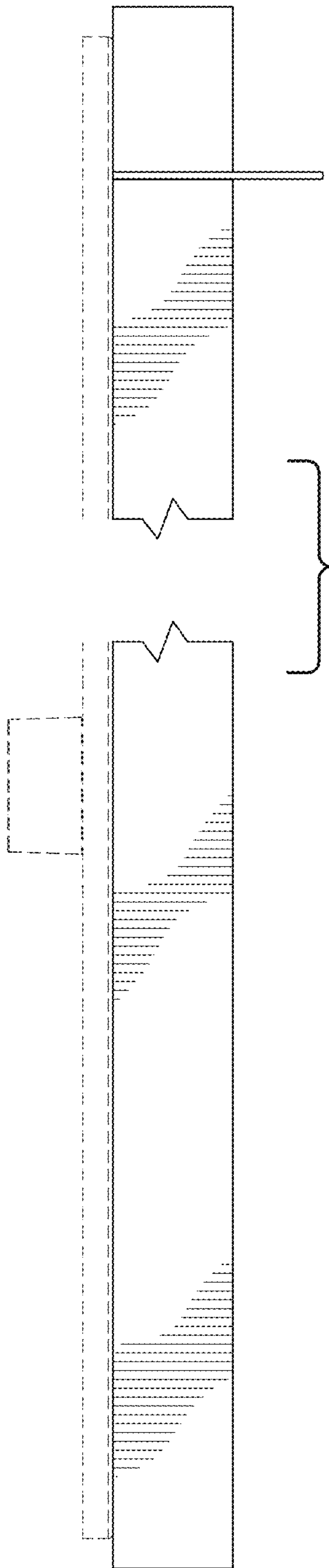


FIG. 2

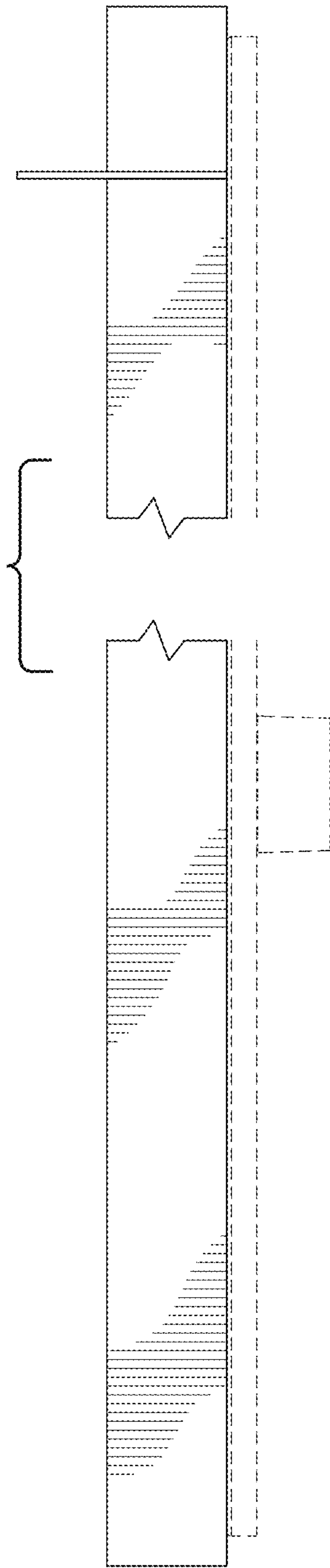


FIG. 3

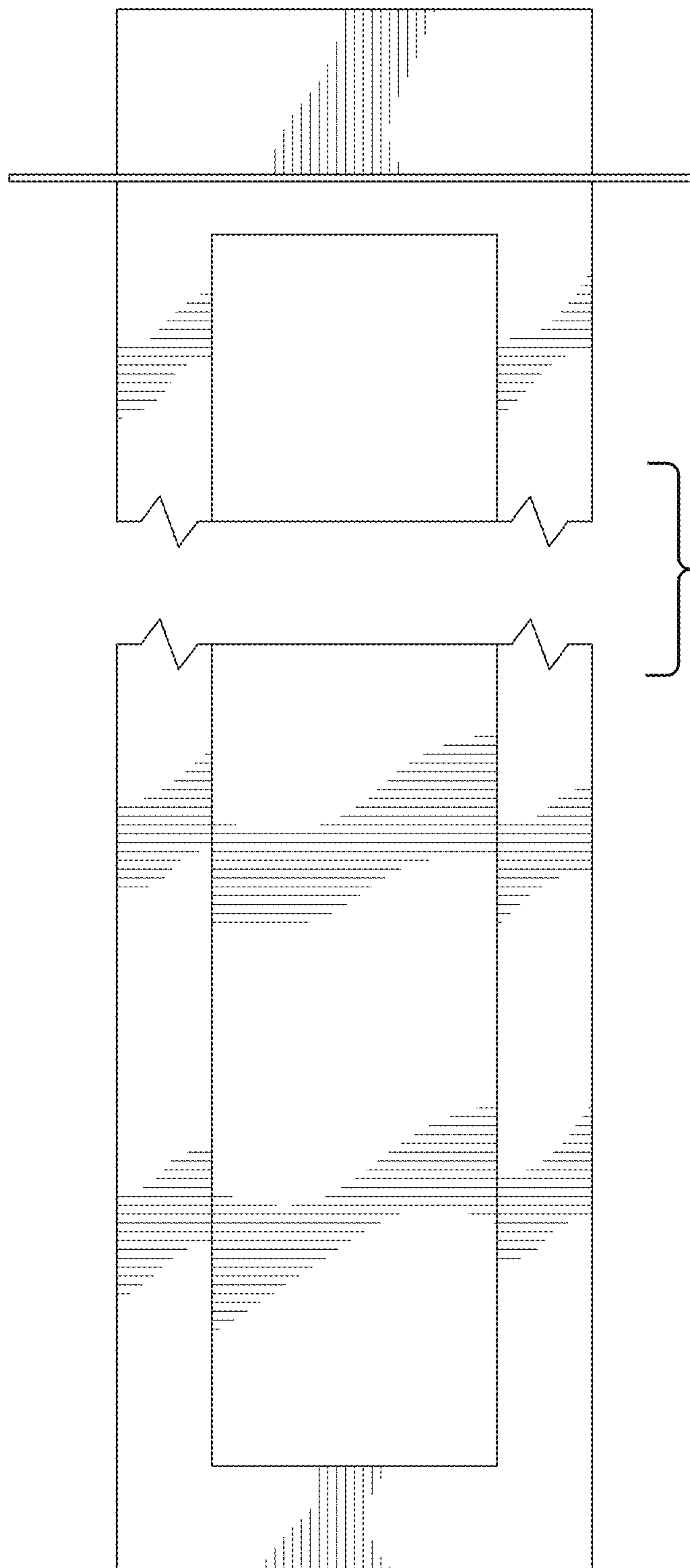


FIG.4

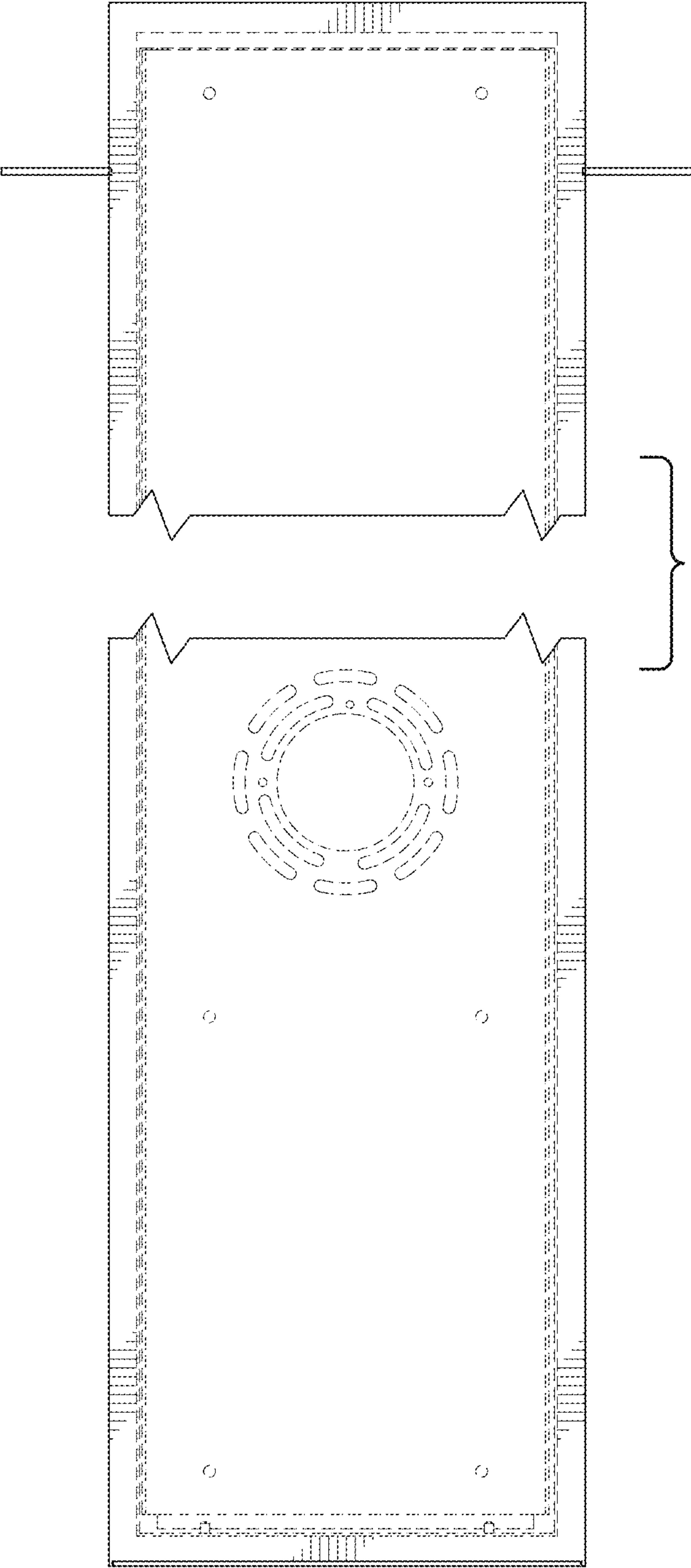


FIG. 5

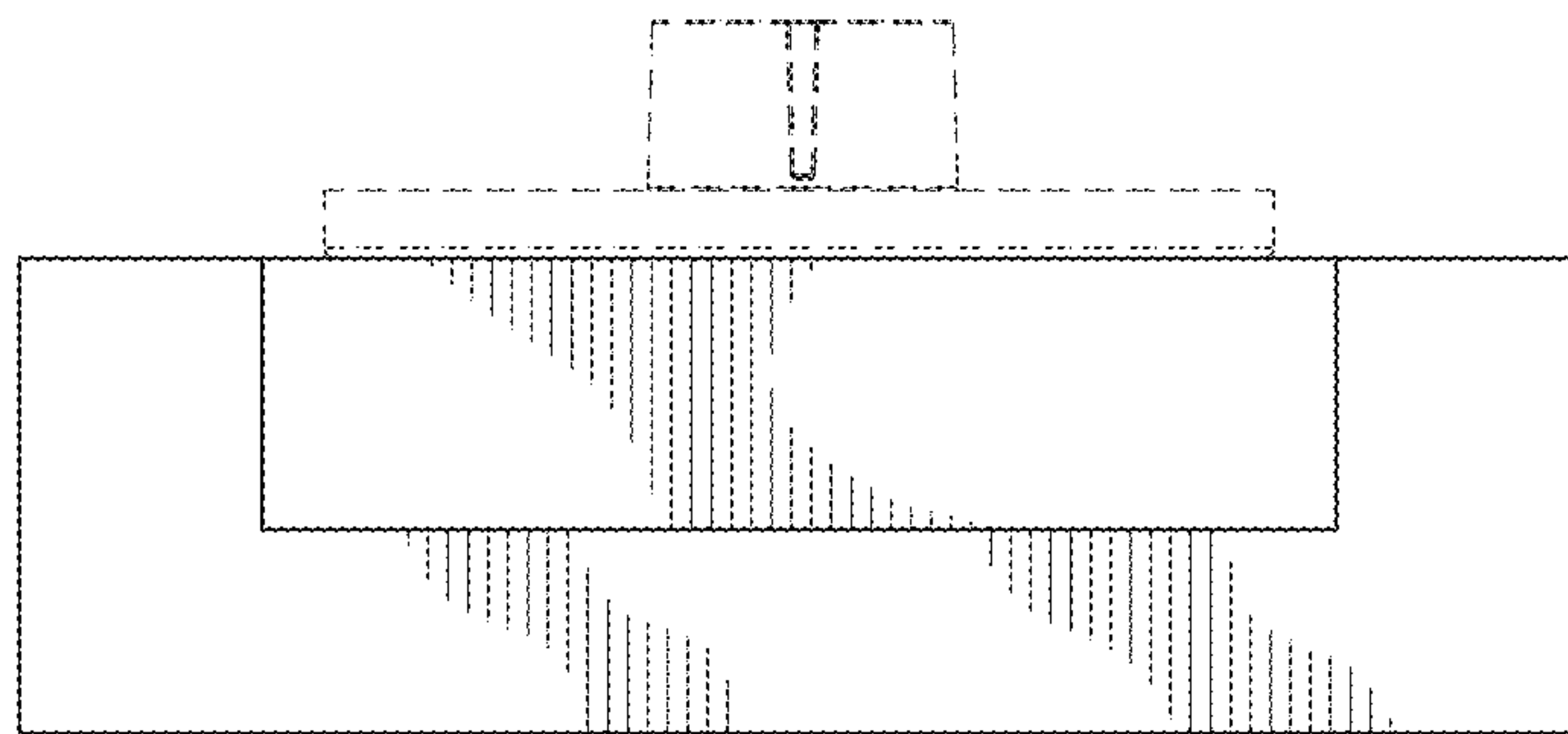


FIG.6

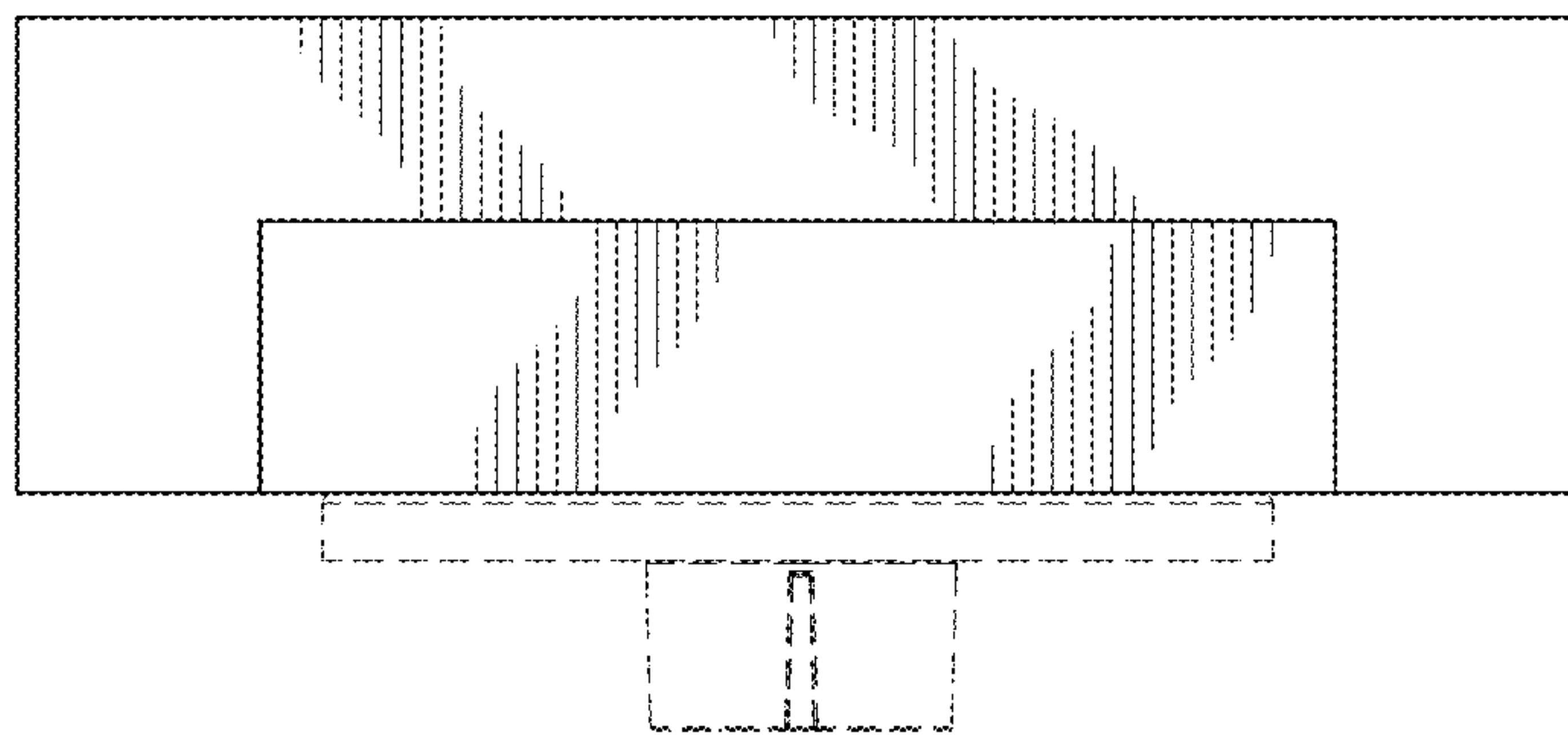


FIG.7