



US00D799734S

(12) **United States Design Patent**  
**Zolotykh et al.**

(10) **Patent No.:** **US D799,734 S**

(45) **Date of Patent:** **\*\* Oct. 10, 2017**

(54) **TROFFER LAMP**

(71) Applicant: **LEDVANCE LLC**, Wilmington, MA (US)

(72) Inventors: **Valeriy Zolotykh**, Abington, MA (US);  
**Anil Jeswani**, Acton, MA (US);  
**Hongbiao Huo**, Xiamen (CN); **Dingyi Wang**, Cixi (CN); **Anu Mathew**, Lynnfield, MA (US)

(\*\*) Term: **15 Years**

(21) Appl. No.: **29/559,207**

(22) Filed: **Mar. 25, 2016**

(51) **LOC (10) Cl.** ..... **26-04**

(52) **U.S. Cl.**  
USPC ..... **D26/79**

(58) **Field of Classification Search**  
USPC ..... D10/111–115; D13/134; D14/473;  
D25/119, 126, 133, 135; D26/38, 39, 40,  
D26/42, 46, 48, 51, 54, 60, 61, 63, 64,  
D26/65, 66, 71, 74, 75, 78, 80, 81, 82,  
D26/83, 84, 85, 86, 88, 89, 91, 113, 118,  
(Continued)

(56) **References Cited**

**U.S. PATENT DOCUMENTS**

D162,278 S \* 3/1951 Ainsworth ..... D26/78  
D169,999 S \* 7/1953 Ainsworth ..... D26/78  
(Continued)

**OTHER PUBLICATIONS**

LEDVANCE Luminaires Troffer Retrofit Kit (available online)  
Retrieved from the internet Jul. 10, 2017, retrieved from the internet  
URL: <http://www.sylvania.com/en-us/products/luminaires/Luminaires/Pages/LEDVANCE-Retrofit-Kits.aspx>.\*

(Continued)

*Primary Examiner* — Garth Rademaker

*Assistant Examiner* — Richard Kearney

(74) *Attorney, Agent, or Firm* — Andrew Martin

(57) **CLAIM**

The ornamental design for a troffer lamp, as shown and described.

**DESCRIPTION**

FIG. 1 is a front, side perspective view of the new design for a troffer lamp;

FIG. 2 is a front elevation view thereof;

FIG. 3 is a side elevational view thereof, the opposite side being a mirror image thereof;

FIG. 4 is an end elevational view thereof;

FIG. 5 is a rear elevation view thereof;

FIG. 6 is a front, side perspective view of a second embodiment of the design for a troffer lamp;

FIG. 7 is a front elevation view thereof;

FIG. 8 is a side elevational view thereof, the opposite side being a mirror image thereof;

FIG. 9 is an end elevational view thereof;

FIG. 10 is a rear elevation view thereof;

FIG. 11 is a front, side perspective view of a third embodiment of the design for a troffer lamp;

FIG. 12 is a front elevation view thereof;

FIG. 13 is a side elevational view thereof, the opposite side being a mirror image thereof;

FIG. 14 is an end elevational view thereof;

FIG. 15 is a rear elevation view thereof;

FIG. 16 is a front, side perspective view of a fourth embodiment of the design for a troffer lamp;

FIG. 17 is a front elevation view thereof;

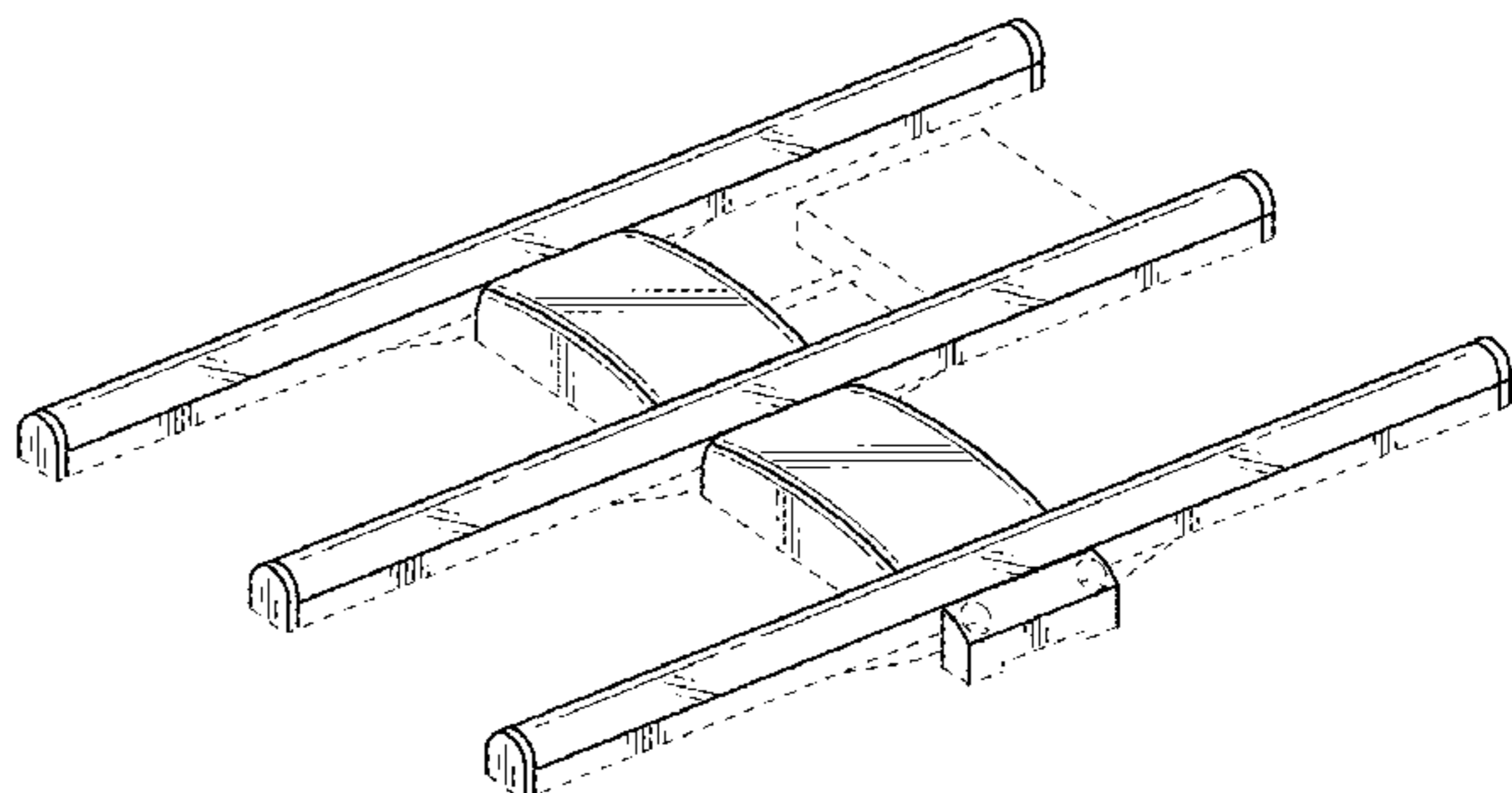
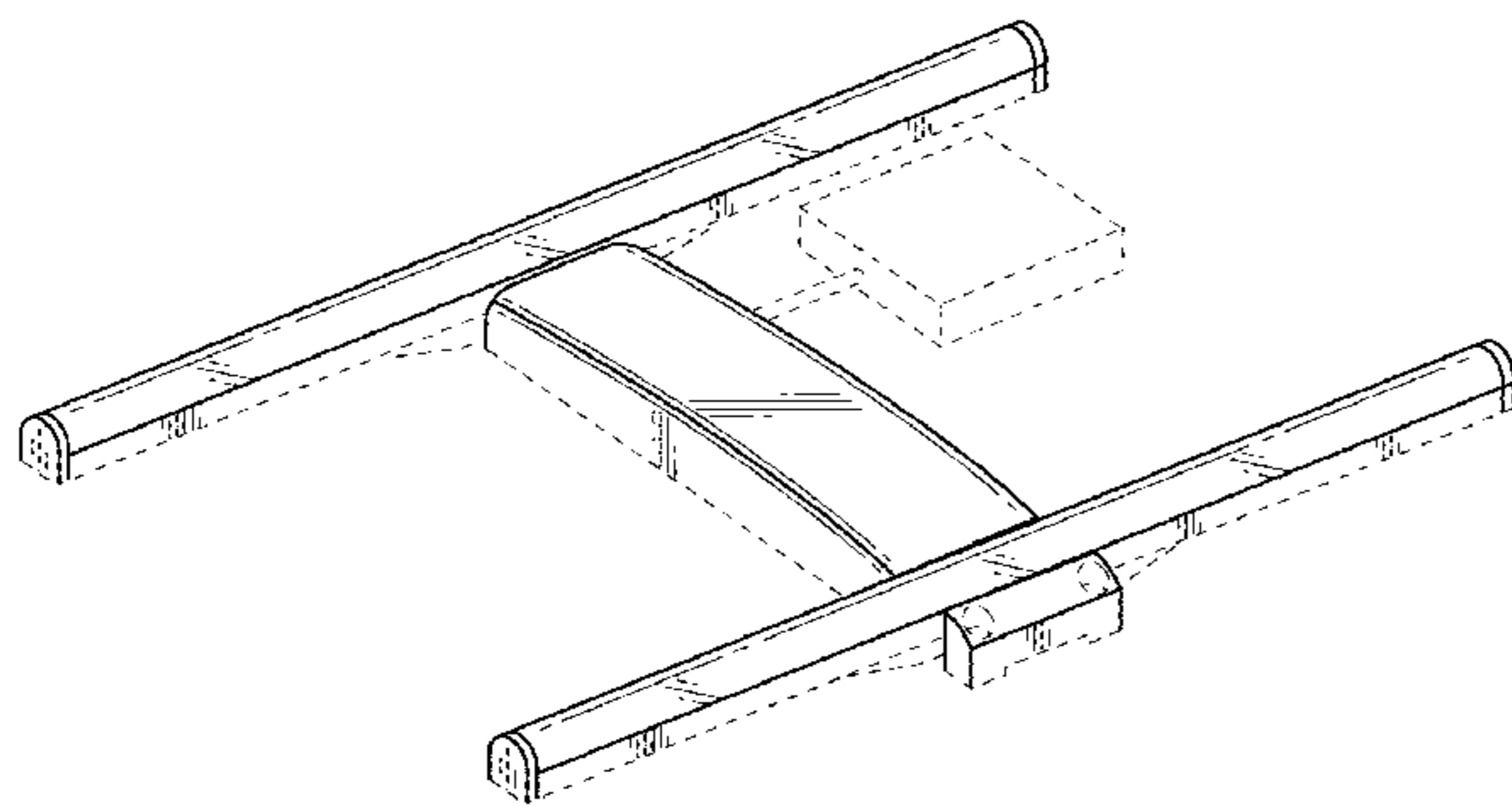
FIG. 18 is a side elevational view thereof, the opposite side being a mirror image thereof;

FIG. 19 is an end elevational view thereof; and,

FIG. 20 is a rear elevation view thereof.

The broken line disclosure is for environmental purposes only and does not form a part of the claimed design.

**1 Claim, 20 Drawing Sheets**



(58) **Field of Classification Search**

USPC ..... D26/119, 120, 121, 122, 138, 141, 142,  
D26/152

CPC .... F21S 4/28; F21S 8/026; F21S 8/031; F21S  
8/036; F21S 8/043; F21V 21/04; F21V  
29/74; F21V 29/75; F21V 29/83

See application file for complete search history.

(56) **References Cited**

U.S. PATENT DOCUMENTS

D214,724 S \* 7/1969 Irwin ..... D25/121  
D304,173 S \* 10/1989 Frassati ..... D13/155  
D327,096 S \* 6/1992 Hobbs ..... D20/10  
D348,906 S \* 7/1994 Hubble ..... D20/41  
D547,481 S \* 7/2007 Tseng ..... D26/75  
7,267,461 B2 9/2007 Kan et al.  
D565,985 S \* 4/2008 Eigentler ..... D10/113.1  
D636,529 S \* 4/2011 Loraing ..... D26/138  
D653,791 S \* 2/2012 Toyohisa ..... D26/80  
D693,945 S \* 11/2013 Cordovana ..... D25/126  
8,960,951 B1 2/2015 Rao et al.  
D750,830 S \* 3/2016 Dyson ..... D26/113  
2009/0243511 A1\* 10/2009 Wang ..... F21V 15/015  
315/294

OTHER PUBLICATIONS

LED troffer retrofit marketed by Litetronics under the name LED  
RetroFit, depicted on brochure Enlightening News and information,  
on website [www.Litetronics.com](http://www.Litetronics.com) (3 pages).

\* cited by examiner

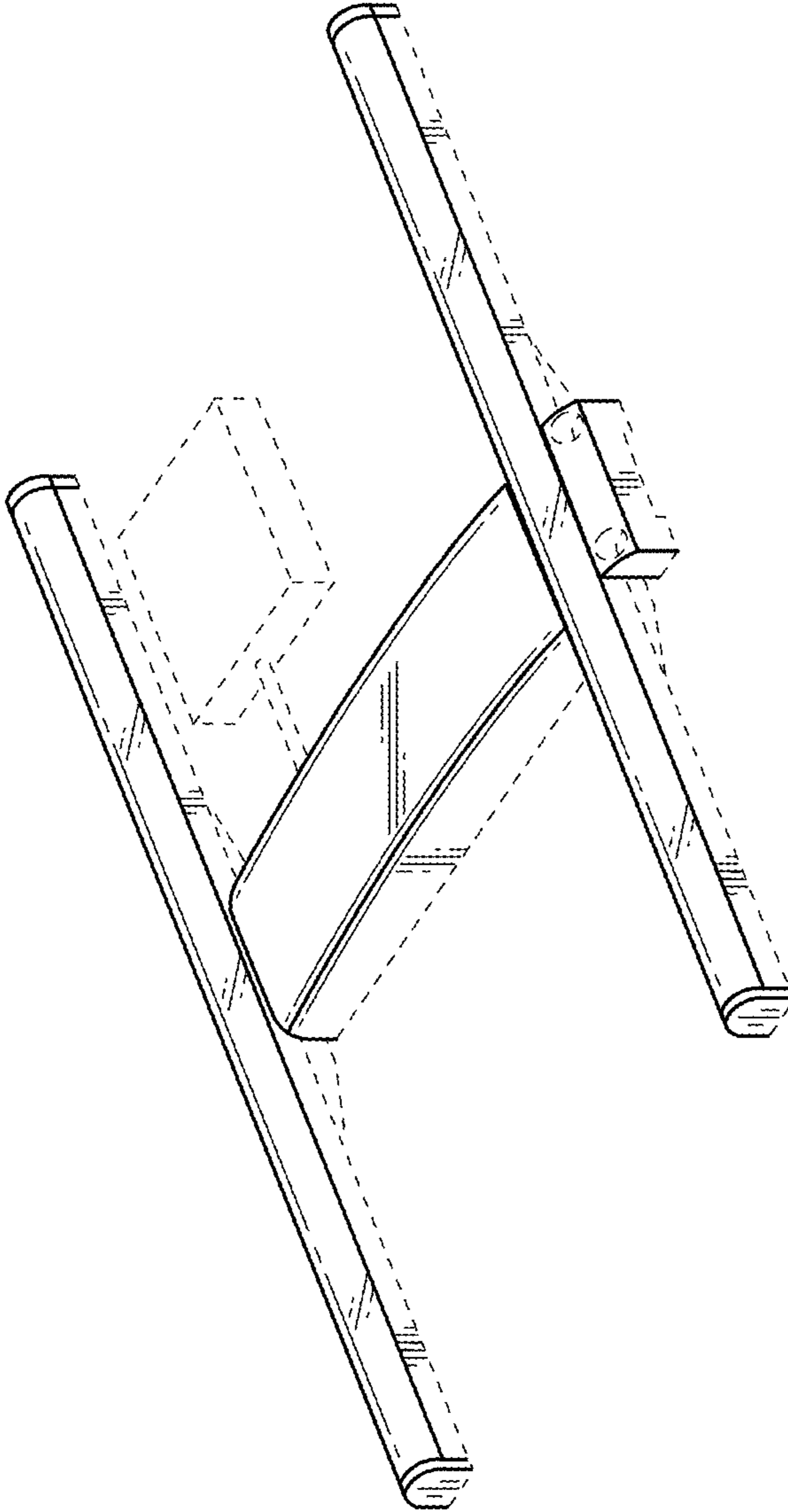


FIG. 1

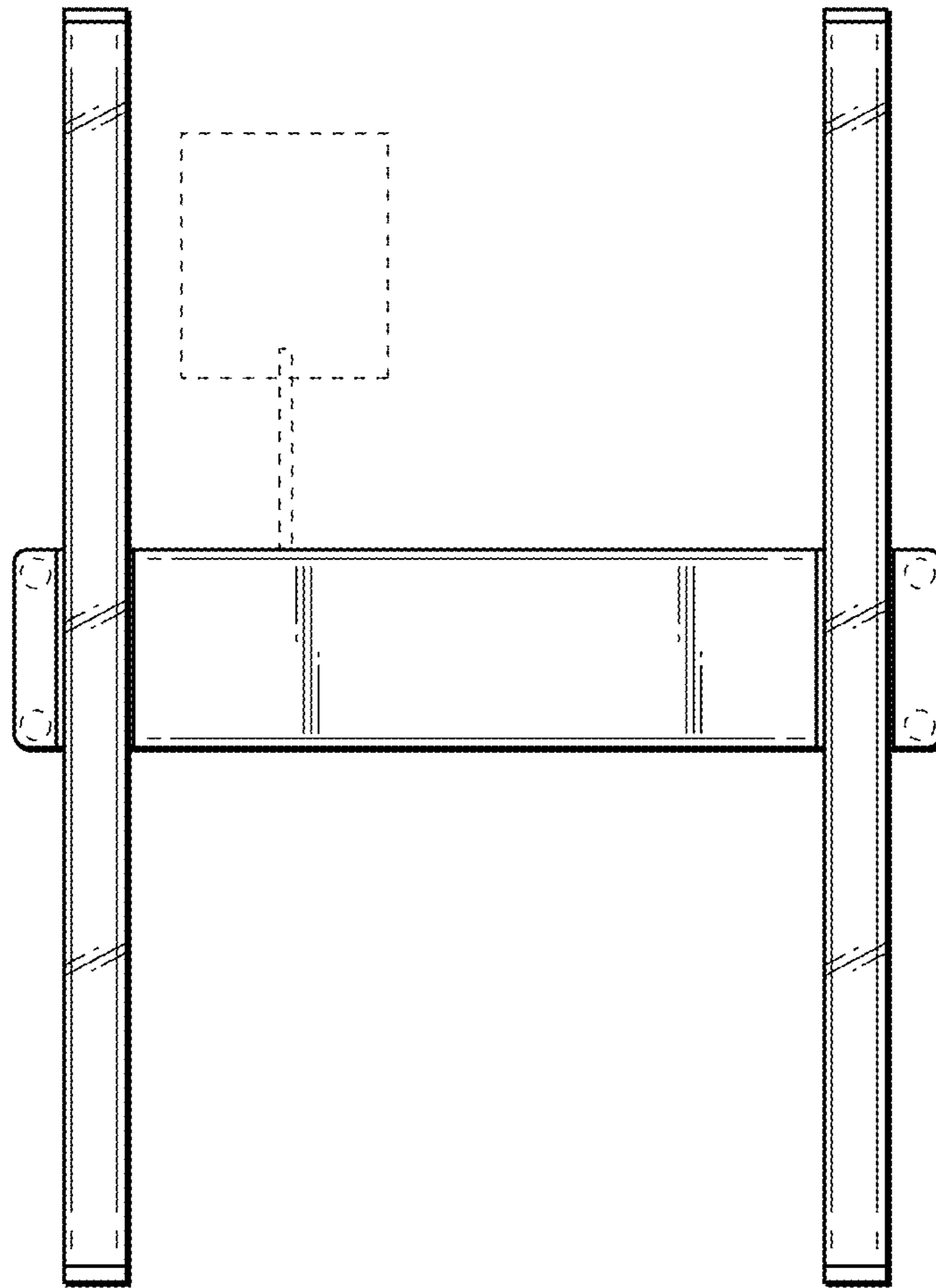


FIG. 2



FIG. 3

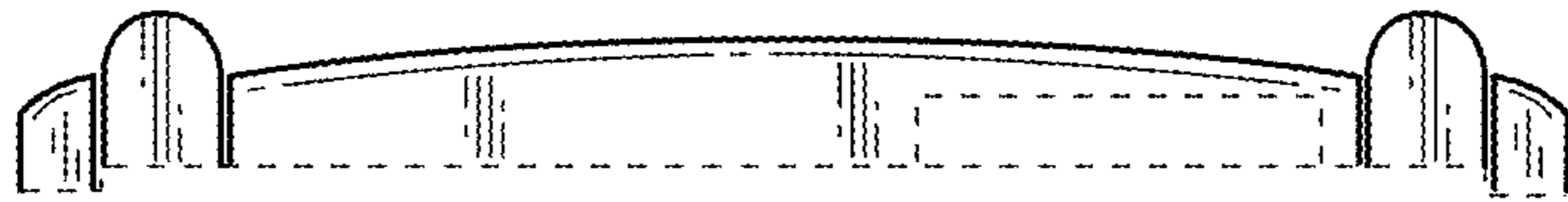


FIG. 4

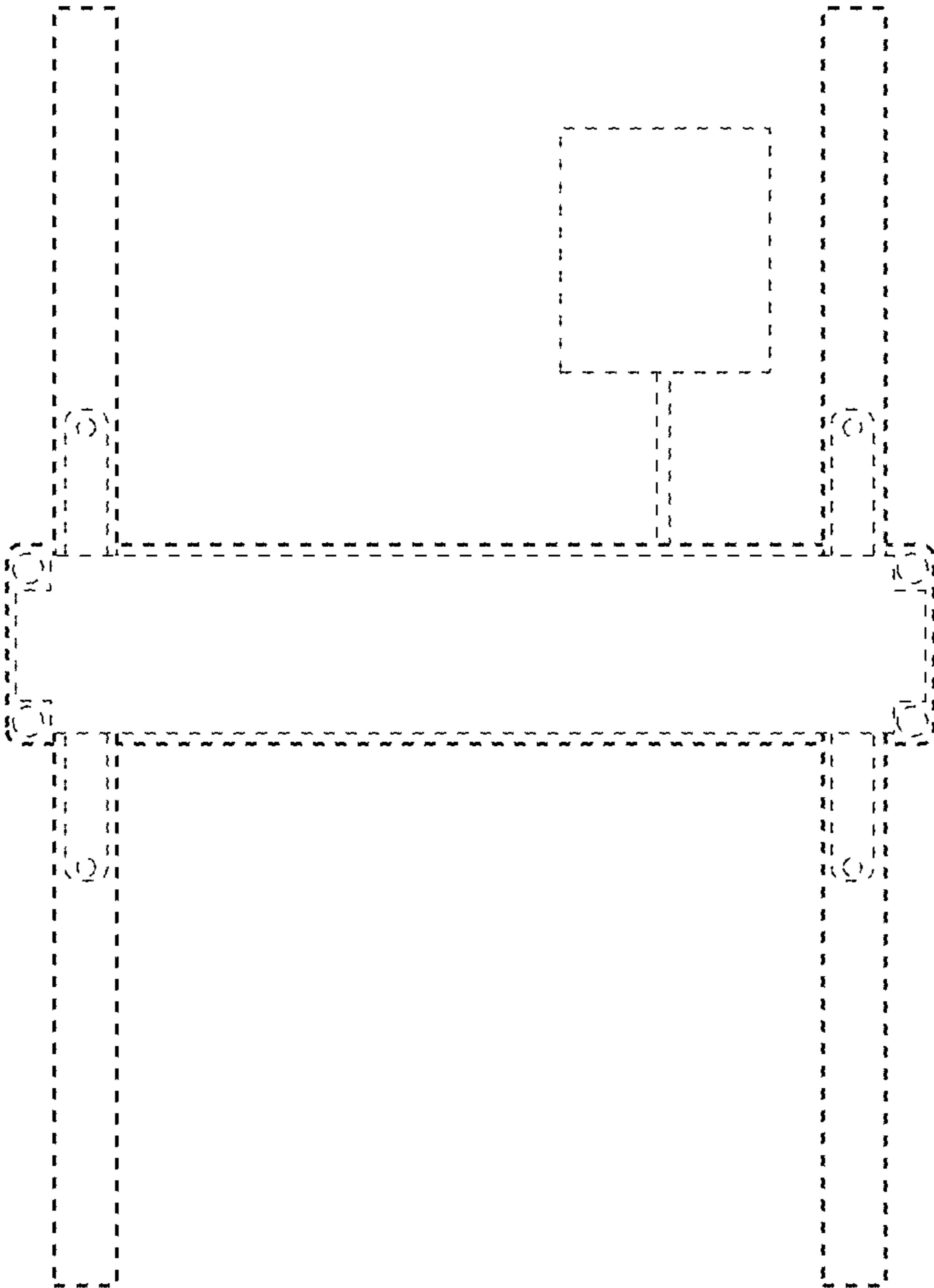


FIG. 5

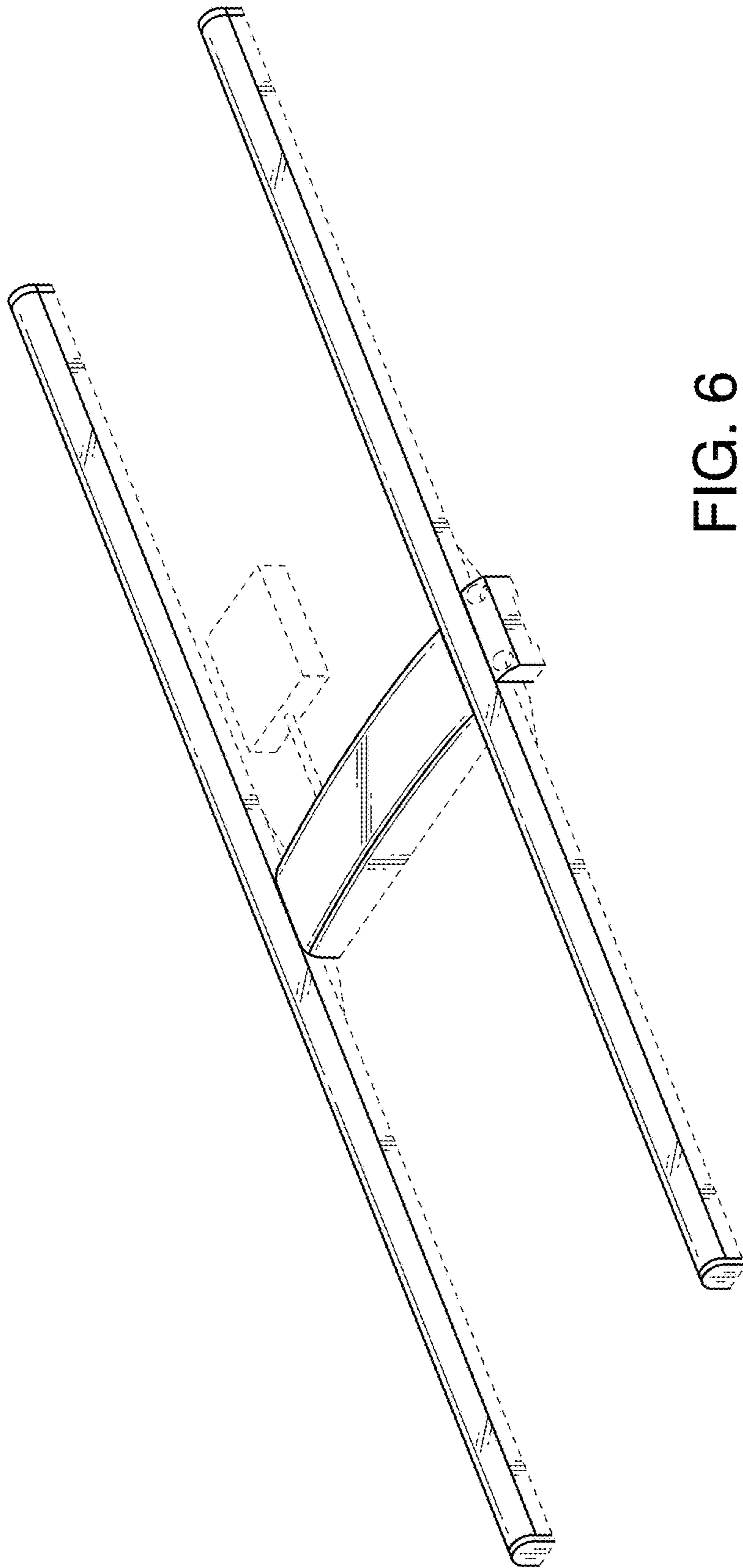


FIG. 6



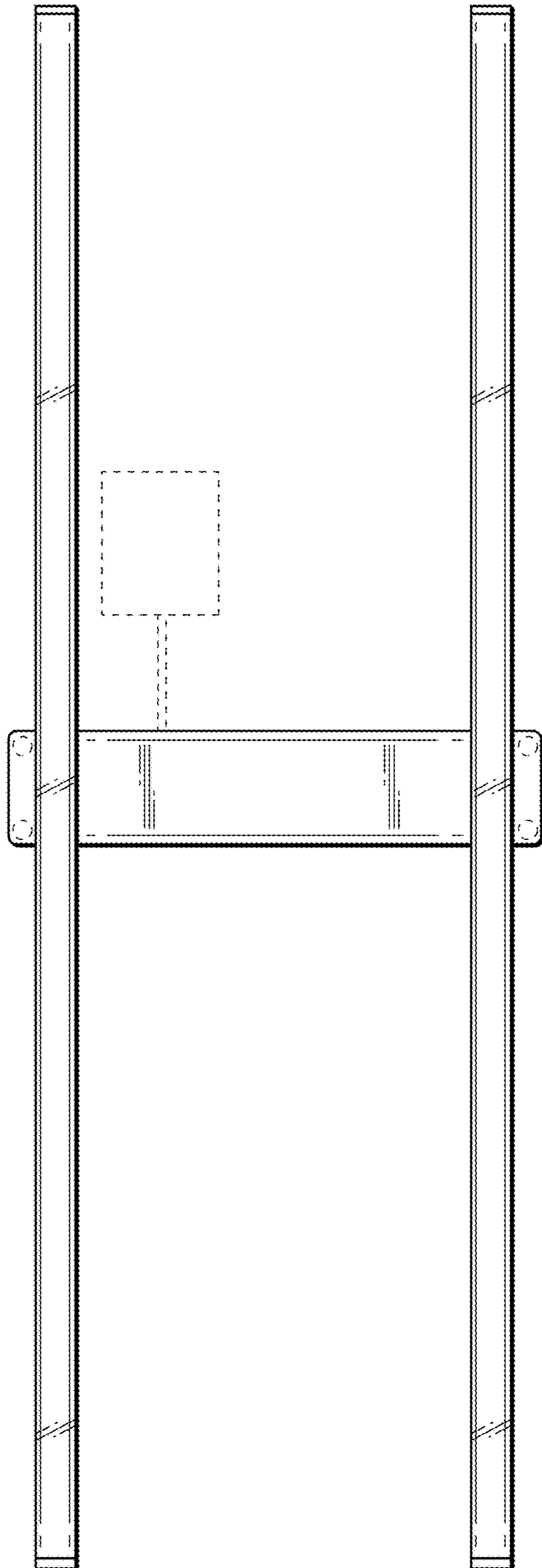


FIG. 7

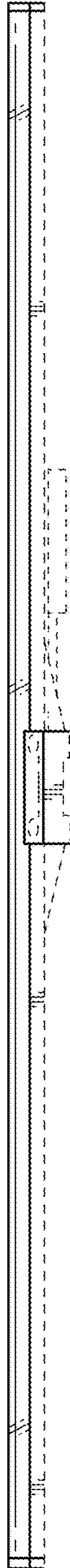


FIG. 8

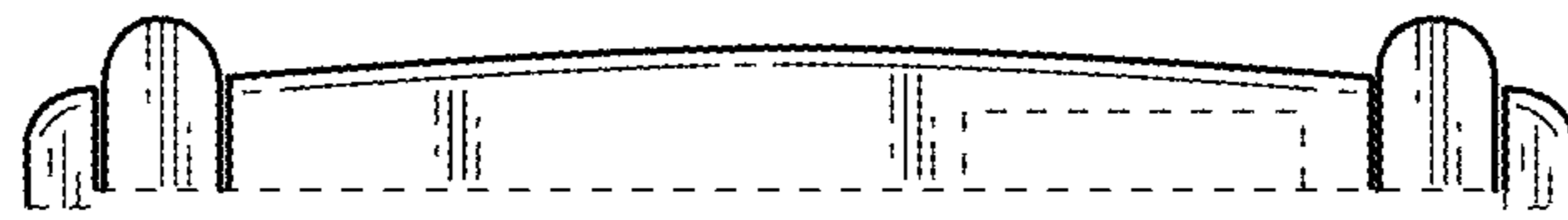


FIG. 9

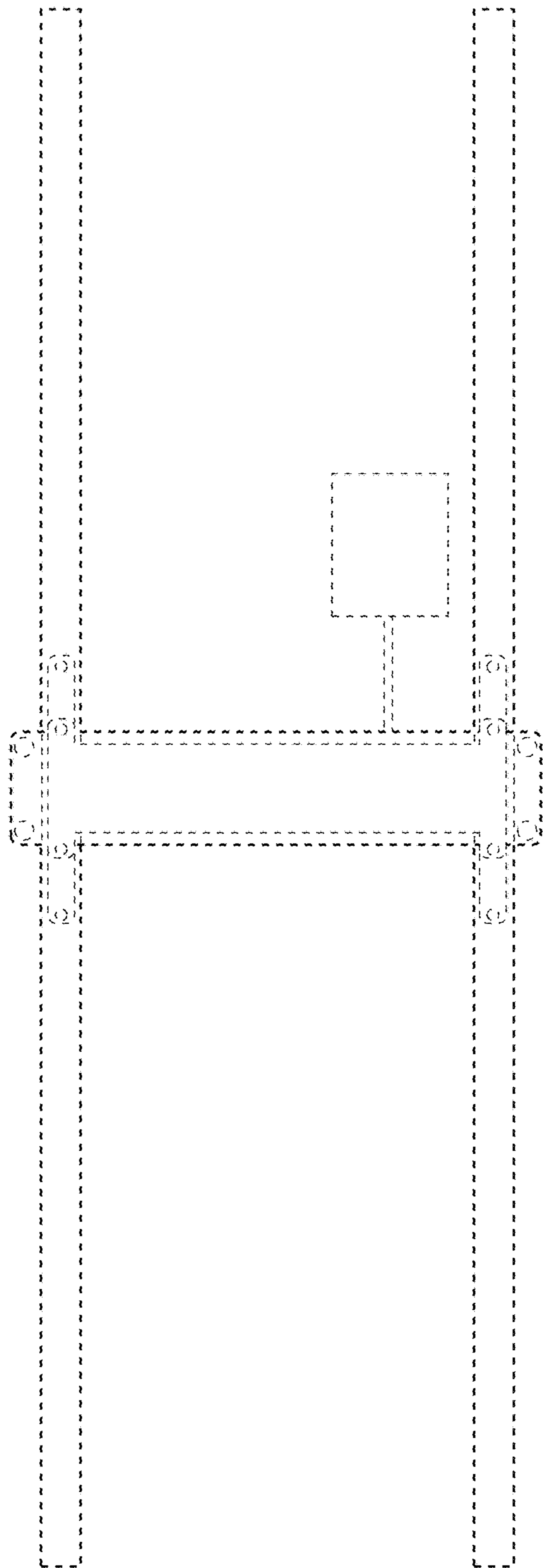


FIG. 10

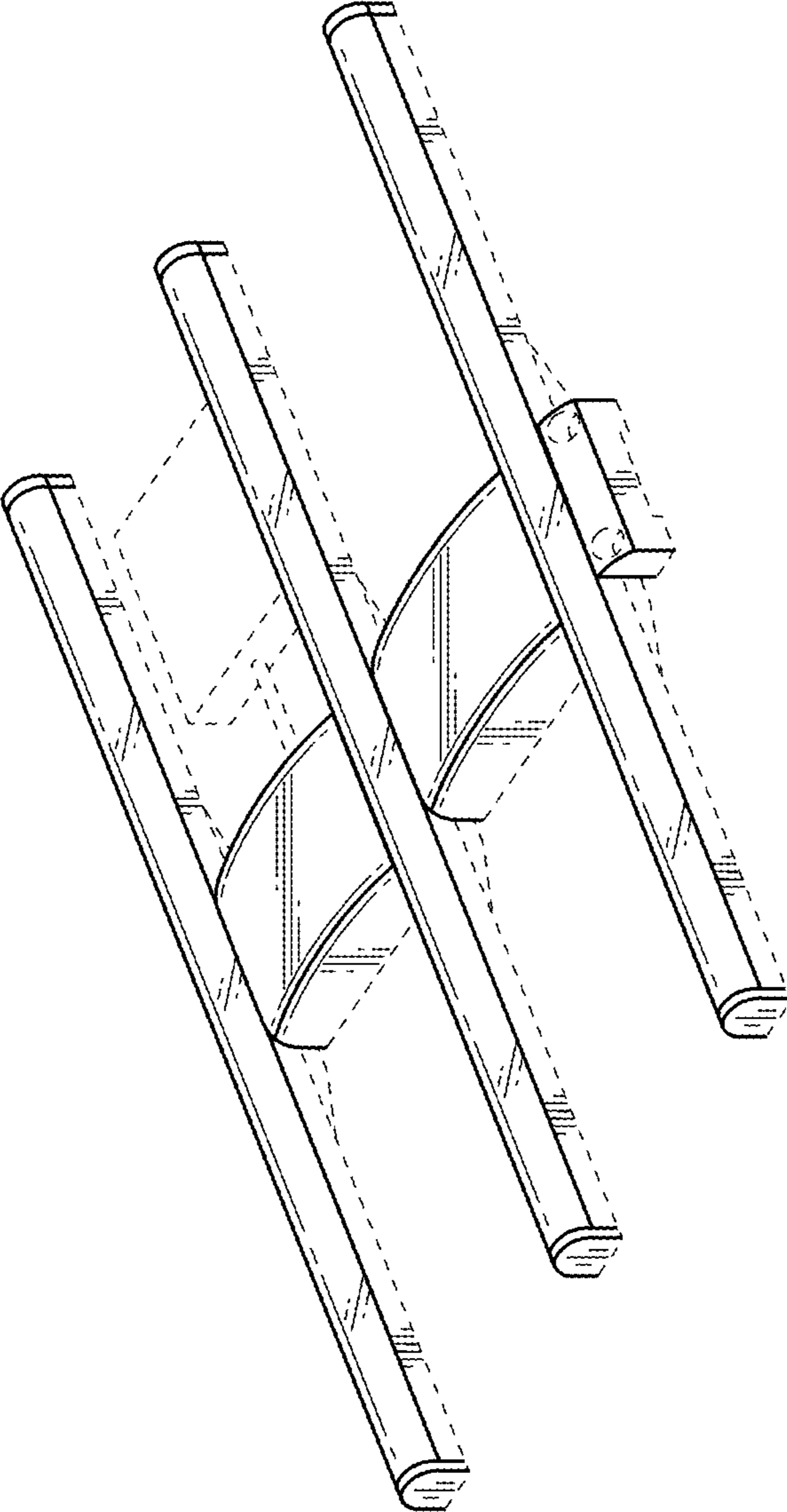


FIG. 11

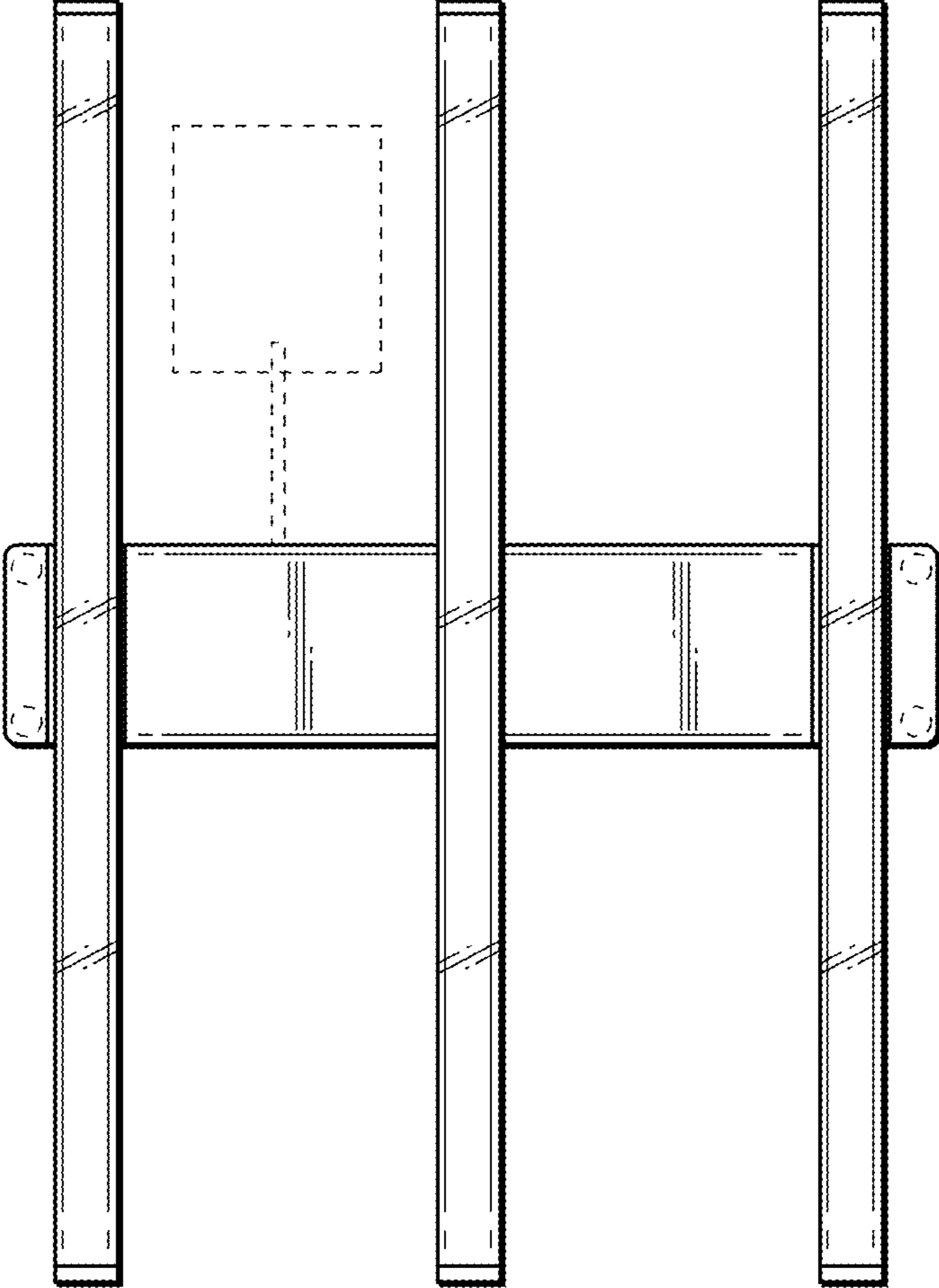


FIG. 12



FIG. 13



FIG. 14



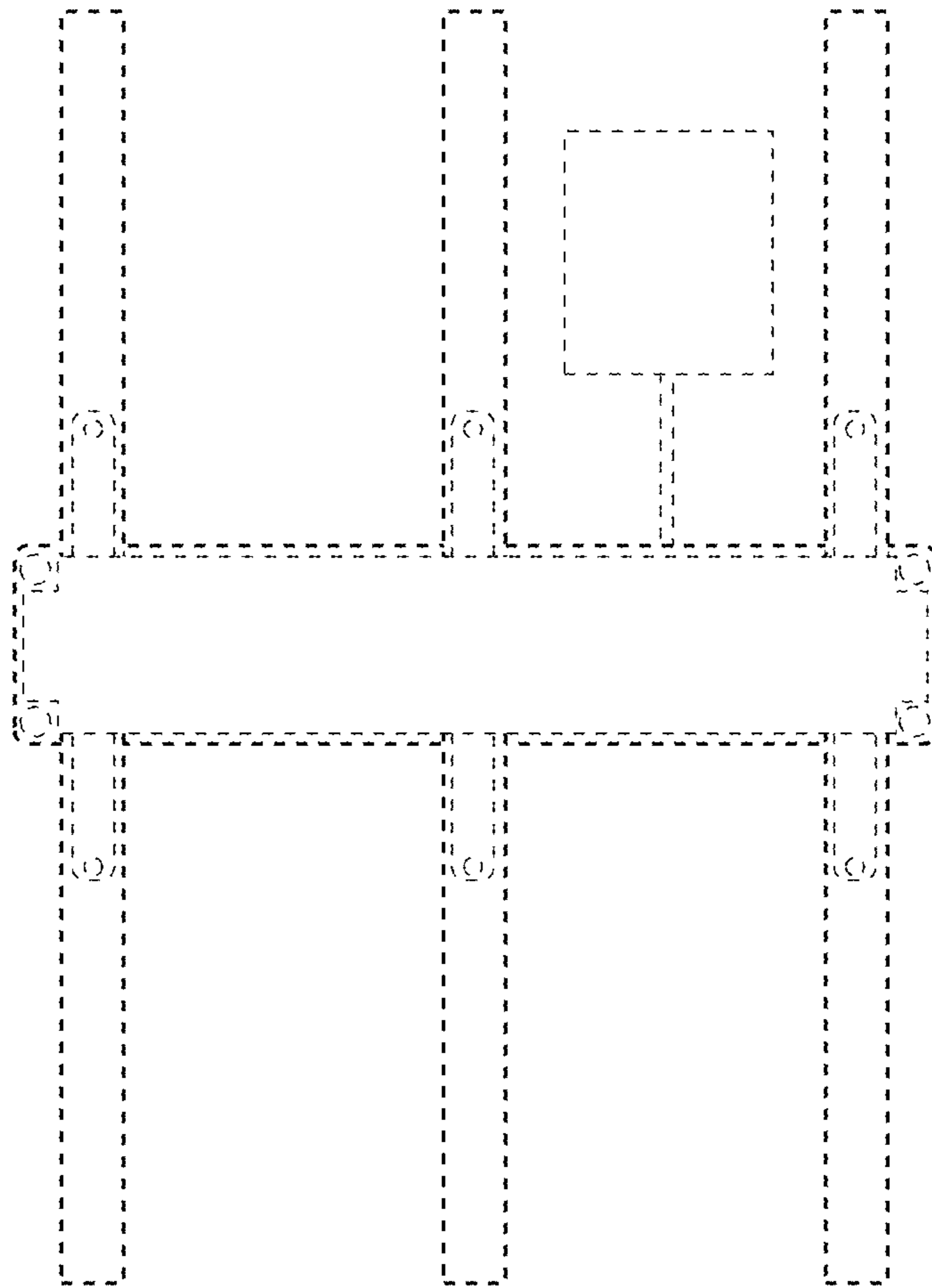


FIG. 15

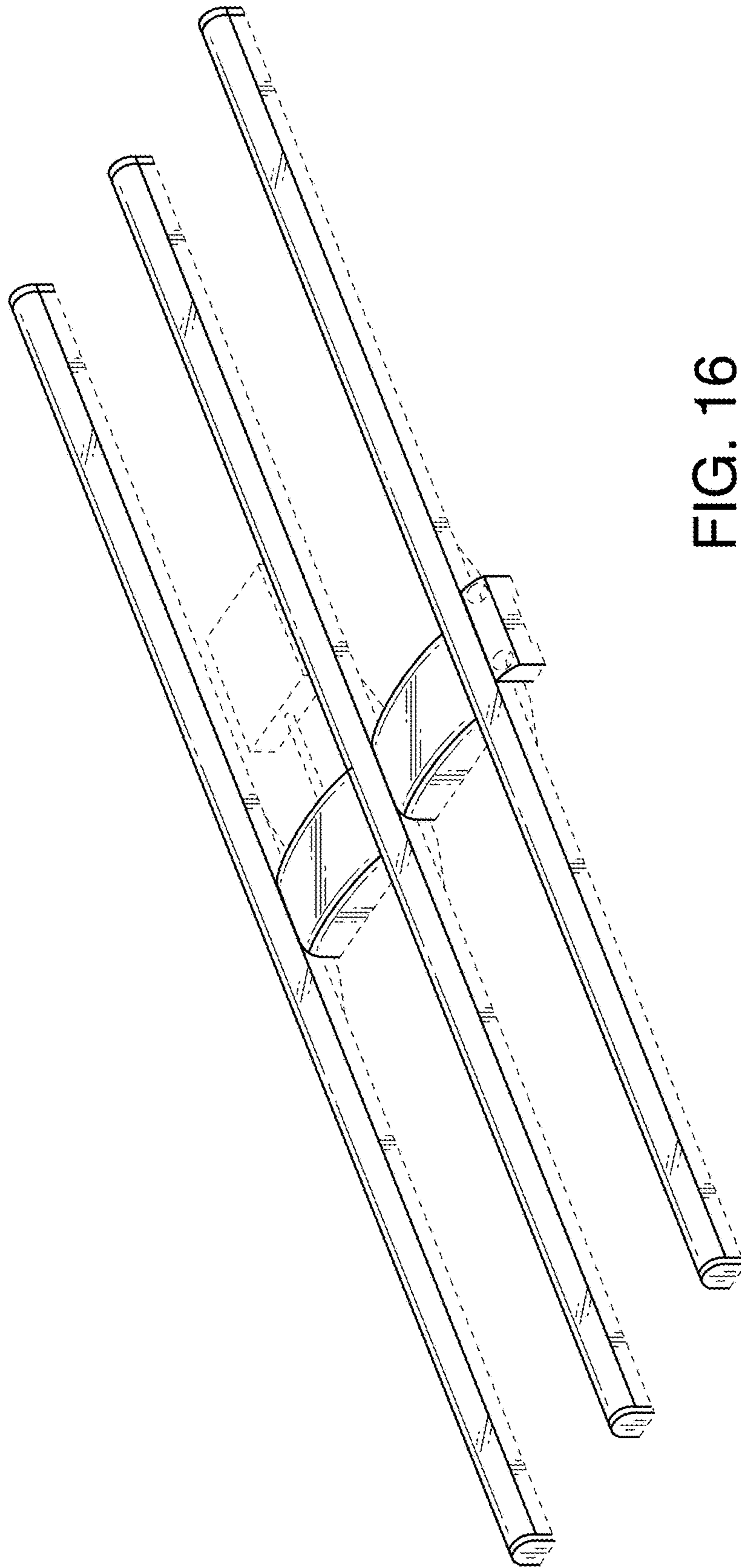


FIG. 16

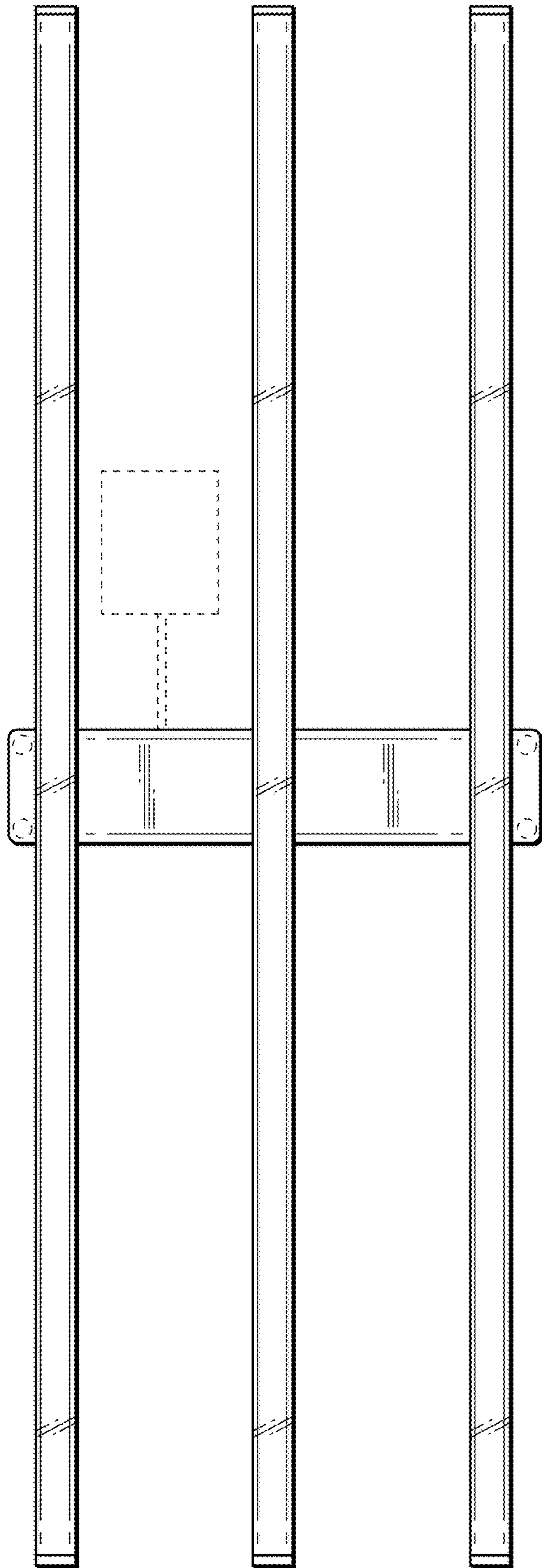


FIG. 17



FIG. 18



FIG. 19

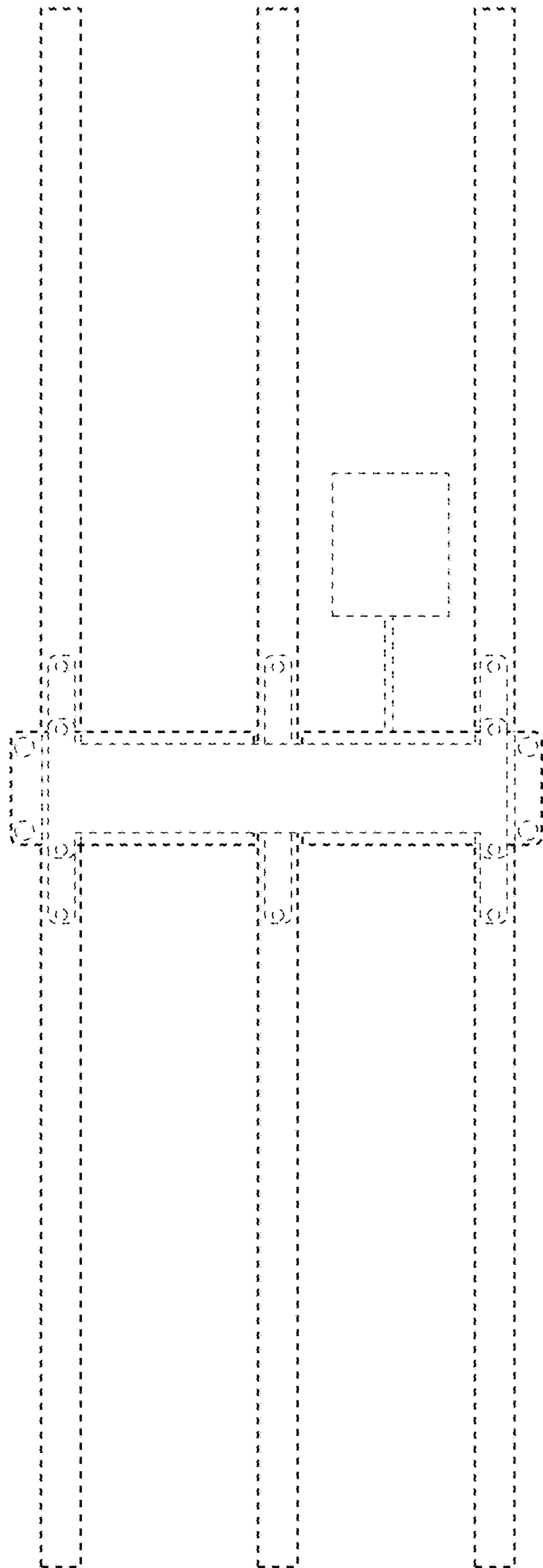


FIG. 20