



US00D799733S

(12) **United States Design Patent** (10) **Patent No.:** **US D799,733 S**
Recker et al. (45) **Date of Patent:** **** Oct. 10, 2017**

(54) **SLIM LIGHT** 6,356,084 B1 * 3/2002 Levine G01R 31/021
324/542
(71) Applicants: **Michael V Recker**, Gaithersburg, MD D473,328 S * 4/2003 Chelf D26/3
(US); **David B Levine**, Pepper Pike, D476,753 S * 7/2003 Chelf D26/3
OH (US) D607,599 S * 1/2010 Zhou D26/76
D617,488 S * 6/2010 Cho D26/76
D626,267 S * 10/2010 Ng D26/76
(72) Inventors: **Michael V Recker**, Gaithersburg, MD D633,642 S * 3/2011 Wauters D26/76
(US); **David B Levine**, Pepper Pike, D643,960 S * 8/2011 Waldmann D26/74
OH (US) D671,254 S * 11/2012 Miyatake D26/75
D701,989 S * 4/2014 Rodgers D26/76
D731,103 S * 6/2015 Wilke D26/72
(73) Assignee: **Wireless Environment, LLC**, Mayfield 2006/0146531 A1 * 7/2006 Reo F21V 5/008
Village, OH (US) 362/244

(**) Term: **15 Years**

(21) Appl. No.: **29/582,008**

(22) Filed: **Oct. 24, 2016**

(51) **LOC (10) Cl.** **26-03**

(52) **U.S. Cl.**
USPC **D26/76**

(58) **Field of Classification Search**
USPC D26/76, 78, 79, 80, 81, 82, 83, 85, 86,
D26/88, 90, 113, 118, 119, 120, 121, 122,
D26/138, 139, 140, 141, 142
CPC F21S 2/00; F21S 4/00; F21S 4/003; F21S
4/005; F21S 4/006; F21S 4/007; F21S
4/008; F21S 6/00; F21S 8/00; F21S
8/024; F21S 8/026; F21S 8/031; F21S
8/033; F21S 8/035-8/037; F21S 8/04;
F21S 8/043; F21S 8/063
See application file for complete search history.

(56) **References Cited**

U.S. PATENT DOCUMENTS

D319,601 S * 9/1991 Sasaki 10/114.4
D344,605 S * 2/1994 Aspenwall D26/76

* cited by examiner

Primary Examiner — George D. Kirschbaum

Assistant Examiner — Natasha Vujcic

(74) *Attorney, Agent, or Firm* — Finnegan, Henderson,
Farabow, Garrett & Dunner, LLP

(57) **CLAIM**

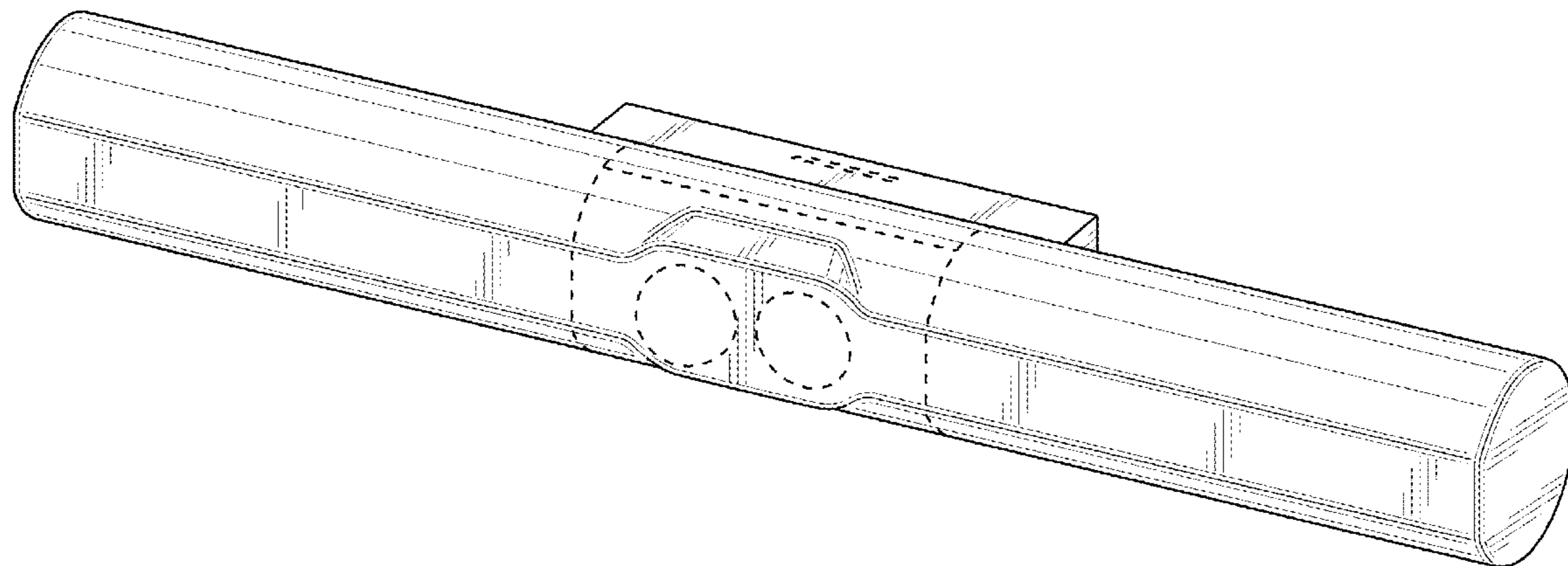
The ornamental design for a slim light, as shown and described.

DESCRIPTION

FIG. 1 is a front right top perspective view of a slim light showing our new design;
FIG. 2 is a rear left bottom perspective view thereof;
FIG. 3 is a front elevation view thereof;
FIG. 4 is a rear view thereof;
FIG. 5 is a right view thereof;
FIG. 6 is a left view thereof;
FIG. 7 is a top plan view thereof; and,
FIG. 8 is a bottom view thereof.

The broken lines shown in the drawings illustrate portions of the slim light that form no part of the claimed design.

1 Claim, 5 Drawing Sheets



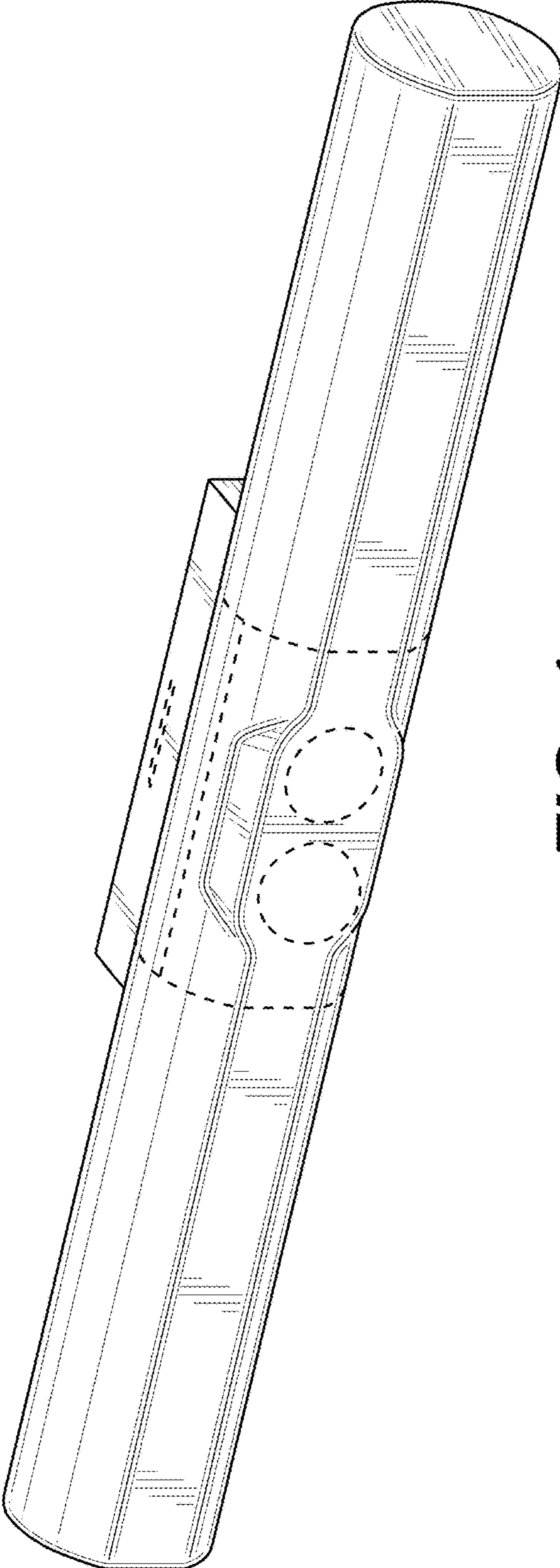


FIG. 1

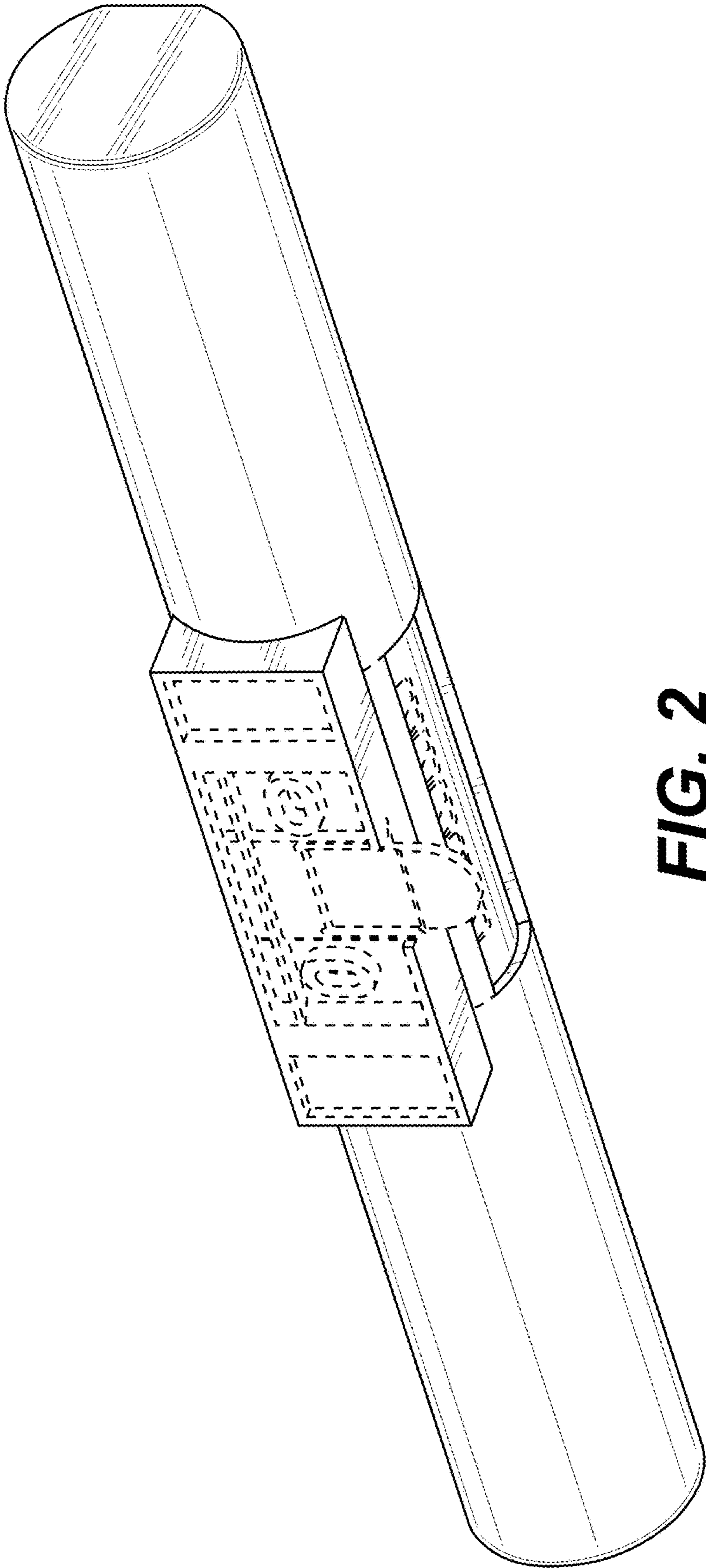


FIG. 2

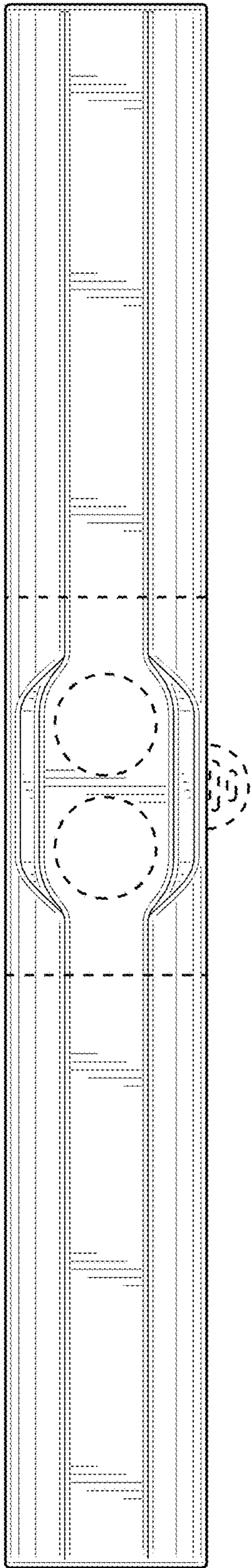


FIG. 3

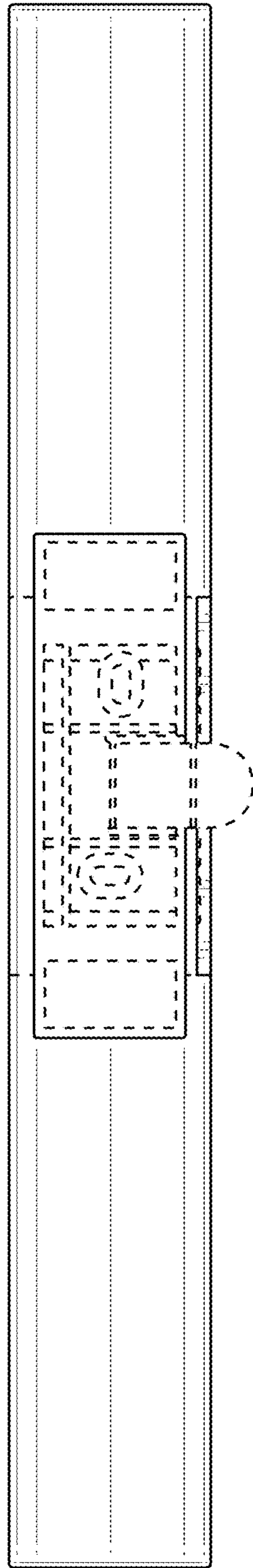


FIG. 4

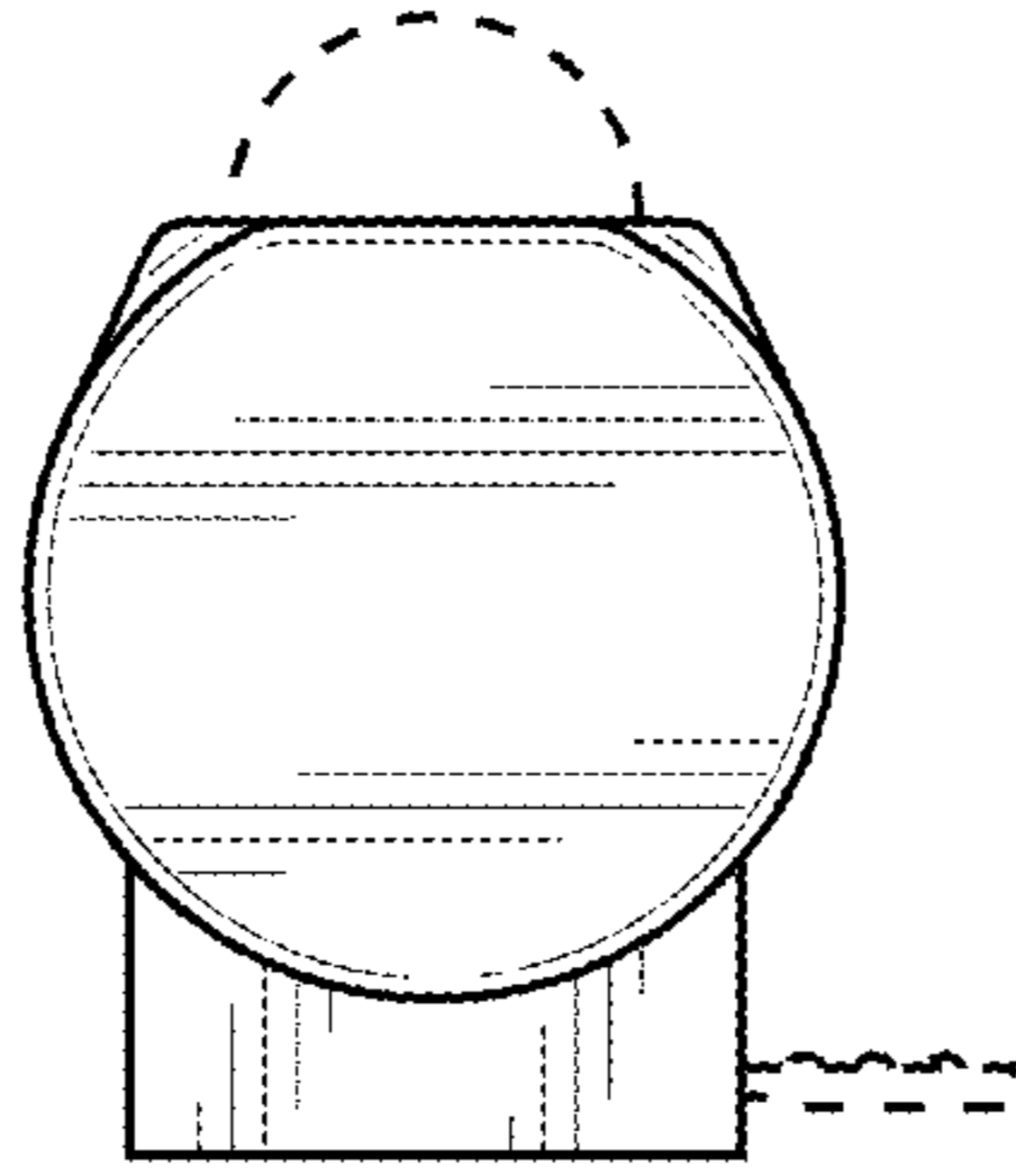


FIG. 6

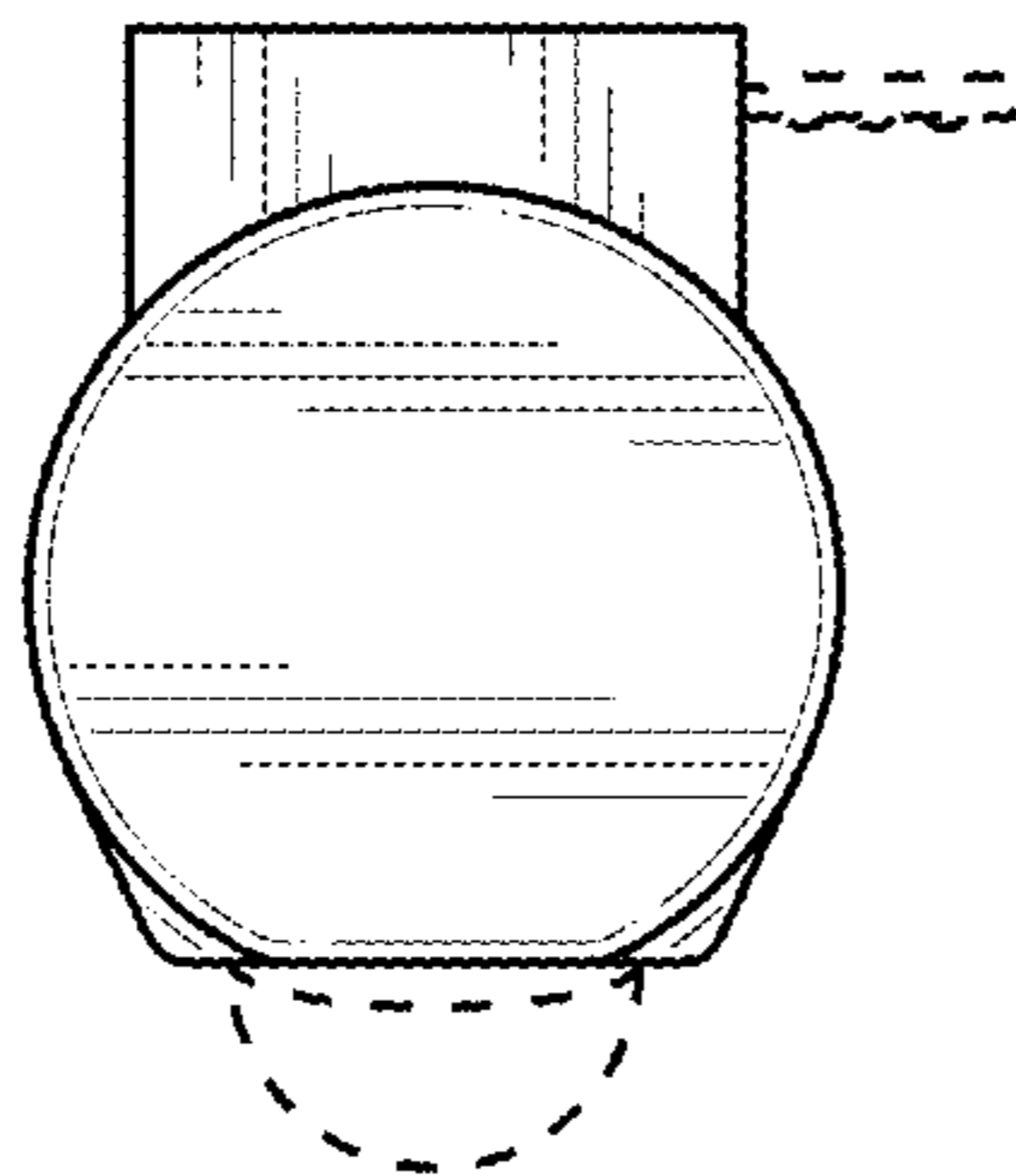


FIG. 5

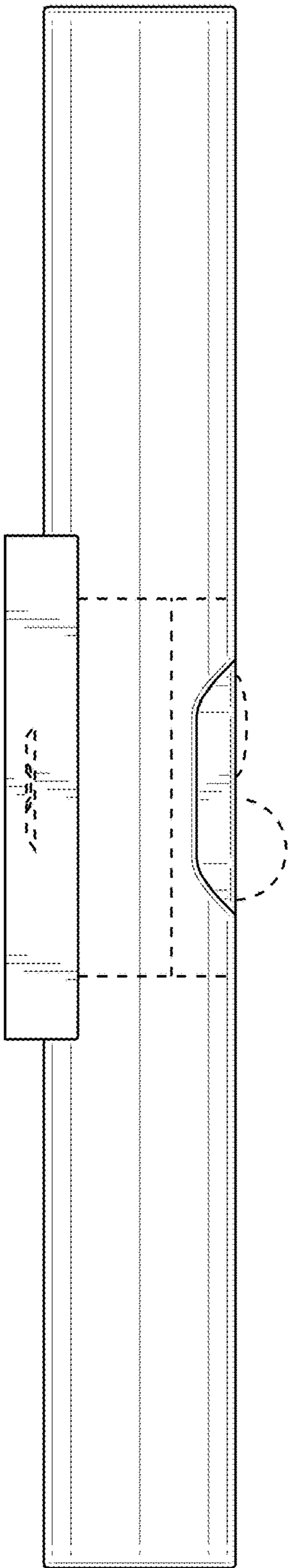


FIG. 7

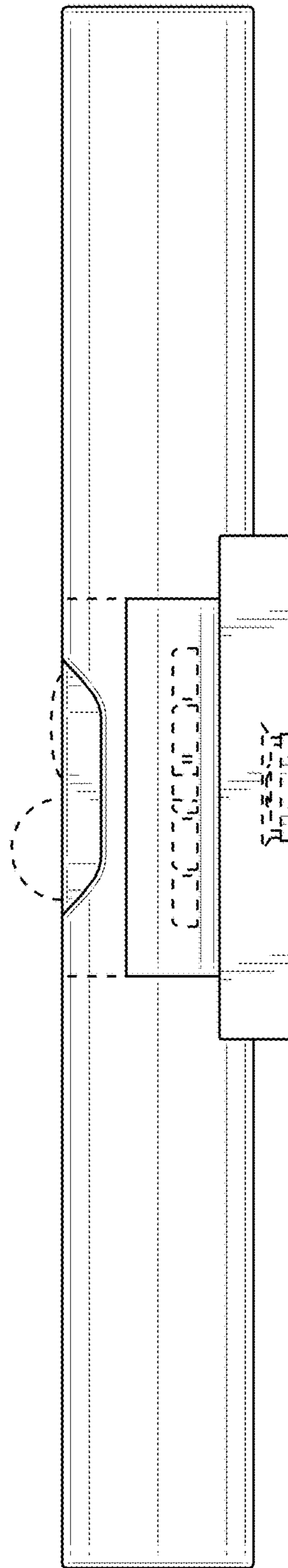


FIG. 8