



US00D799731S

(12) **United States Design Patent**
Jadhav

(10) **Patent No.:** **US D799,731 S**

(45) **Date of Patent:** **** Oct. 10, 2017**

(54) **LIGHT PROJECTION DEVICE**

(71) Applicant: **E. Mishan & Sons, Inc.**, New York,
NY (US)

(72) Inventor: **Rajesh Jadhav**, Shenzhen (CN)

(73) Assignee: **E. Mishan & Sons, Inc.**, New York,
NY (US)

(**) Term: **15 Years**

(21) Appl. No.: **29/602,808**

(22) Filed: **May 3, 2017**

Related U.S. Application Data

(63) Continuation of application No. 29/564,164, filed on
May 11, 2016, now Pat. No. Des. 790,100.

(51) **LOC (10) Cl.** **26-03**

(52) **U.S. Cl.**
USPC **D26/63**

(58) **Field of Classification Search**

USPC D26/1, 24, 61, 63, 65, 85, 92
CPC F21V 21/14; F21V 15/01; F21V 14/02;
F21V 21/30; F21V 21/00; F21V 14/00;
F21S 8/00; F21S 8/003; F21S 8/043;
F21Y 2105/001

See application file for complete search history.

(56) **References Cited**

U.S. PATENT DOCUMENTS

5,599,091 A 2/1997 Kira
D414,579 S * 9/1999 Denison D26/63
7,182,472 B2 2/2007 Vitantonio et al.
D542,959 S * 5/2007 Yao D26/63
D559,091 S * 1/2008 Skorka D8/367
7,357,520 B2 4/2008 Vitantonio et al.
D574,532 S * 8/2008 Lee D26/63
RE41,050 E 12/2009 Panasewicz et al.

D625,871 S * 10/2010 Huang D26/63
D659,871 S * 5/2012 Lee D26/63
D745,202 S 12/2015 Guercio et al.
D773,707 S * 12/2016 Lentine D26/63
2010/0118536 A1 5/2010 Johnson

OTHER PUBLICATIONS

HBLED10A—RAB Lighting—<https://www.rabweb.com/product.php?product=HBLED10A>.

RAB Lighting HBLED10A LFLOOD 10W Cool LED Bullet W/
Hood & Lens Bronze—<http://www.bonanza.com/listings/Rab-Lighting-Hbled10-A-Lflood-10-W-Cool-Led-Bullet-W-1-H>

(Continued)

Primary Examiner — Brian N. Vinson

(74) *Attorney, Agent, or Firm* — Notaro, Michalos &
Zaccaria P.C.

(57) **CLAIM**

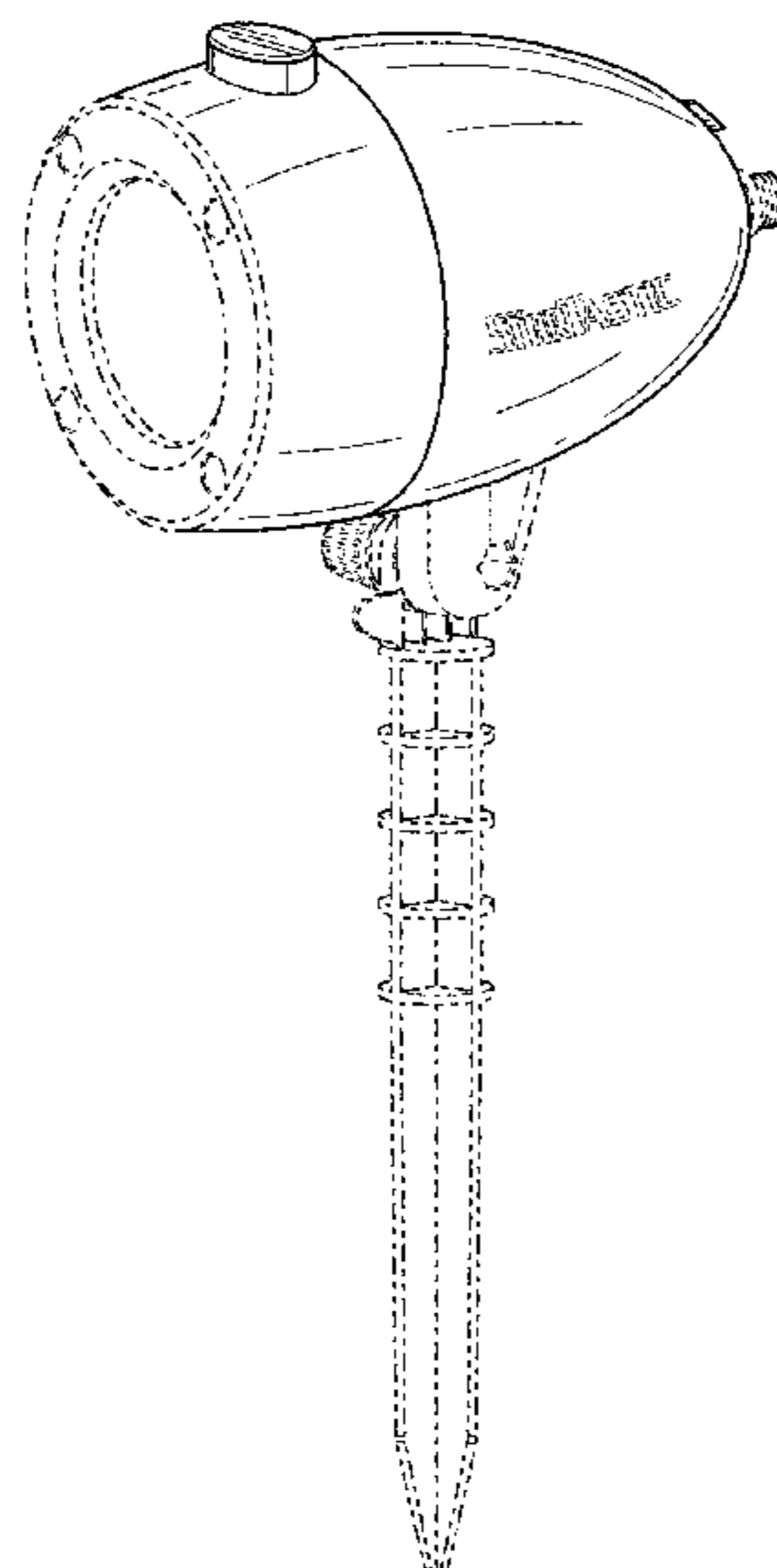
The ornamental design for a light projection device, as
shown and described.

DESCRIPTION

FIG. 1 is a front, top, left perspective view of a light
projection device showing my new design therefor;
FIG. 2 is a rear, top, right perspective view thereof;
FIG. 3 is a front elevational view thereof;
FIG. 4 is a rear elevational view thereof;
FIG. 5 is a left side elevational view thereof;
FIG. 6 is a right side elevational view thereof;
FIG. 7 is a top plan view thereof; and,
FIG. 8 is a bottom plan view thereof.

Surfaces provided with surface shading are understood to
comprise the claimed design. A broken line abutting a
claimed surface is understood to form an unclaimed bound-
ary, and the remaining broken lines are understood to
represent portions of the device which forms no part of the
claimed design.

1 Claim, 7 Drawing Sheets



(56)

References Cited

OTHER PUBLICATIONS

Hubbell Lighting Hubbell Outdoor lighting 309-M51-ML Incandescent Bullet Lamp Holder Bronze—<http://www.sears.com/hubbell-lighting-hubbell-outdoor-lighting-309-m51-ml/p-SPM119167834>.

Pepnice Pepnice Red and Green Firefly Laser Light Sparkling Landscape Projector with Remote—<http://www.sears.com/pepnice-red-and-green-firefly-laser-light/p-SPM10715268325?prdNo=. . .> Landscape Bullets—www-1000bulbs-com-category-landscape-bullets-1463066444991.

PAR38 Line Voltage Landscape Bullet Spotlight—www-pegasuslighting-com-landscape-lighting-par38-line-voltage-landscape-bullet-spotlight-html.

Viatek LL03-RG-R Night Stars Premium Landscape Lighting Wah Remote . . . - www-bhg-com-shop-viatek-viatek-1103-rg-r-night-stars-premium-landscape-lighting-with-remote-red-green.

Vista Pro 1001 Up and Accent Lights, Line Voltage 120-volt, LED Capable—www-evergreensprinklers-com-vista_pro-1001-up-and-accent-lights-line-voltage-120-volt-led-capable-html.

Vista Pro 1009 UP and Accent Lights, Line Voltage 120 volt, Short Shroud—http://www-evergreensprinklers-com/vista_pro-1009-up-and-accent-lights-line-voltage-120-volt-led-capable-short-shroud.html.

Commercial Outdoor LED Flagpole Lighting Fixture—<http://synergylightingusa.com/supply/fixtures/flagpole-led-13/>.

* cited by examiner

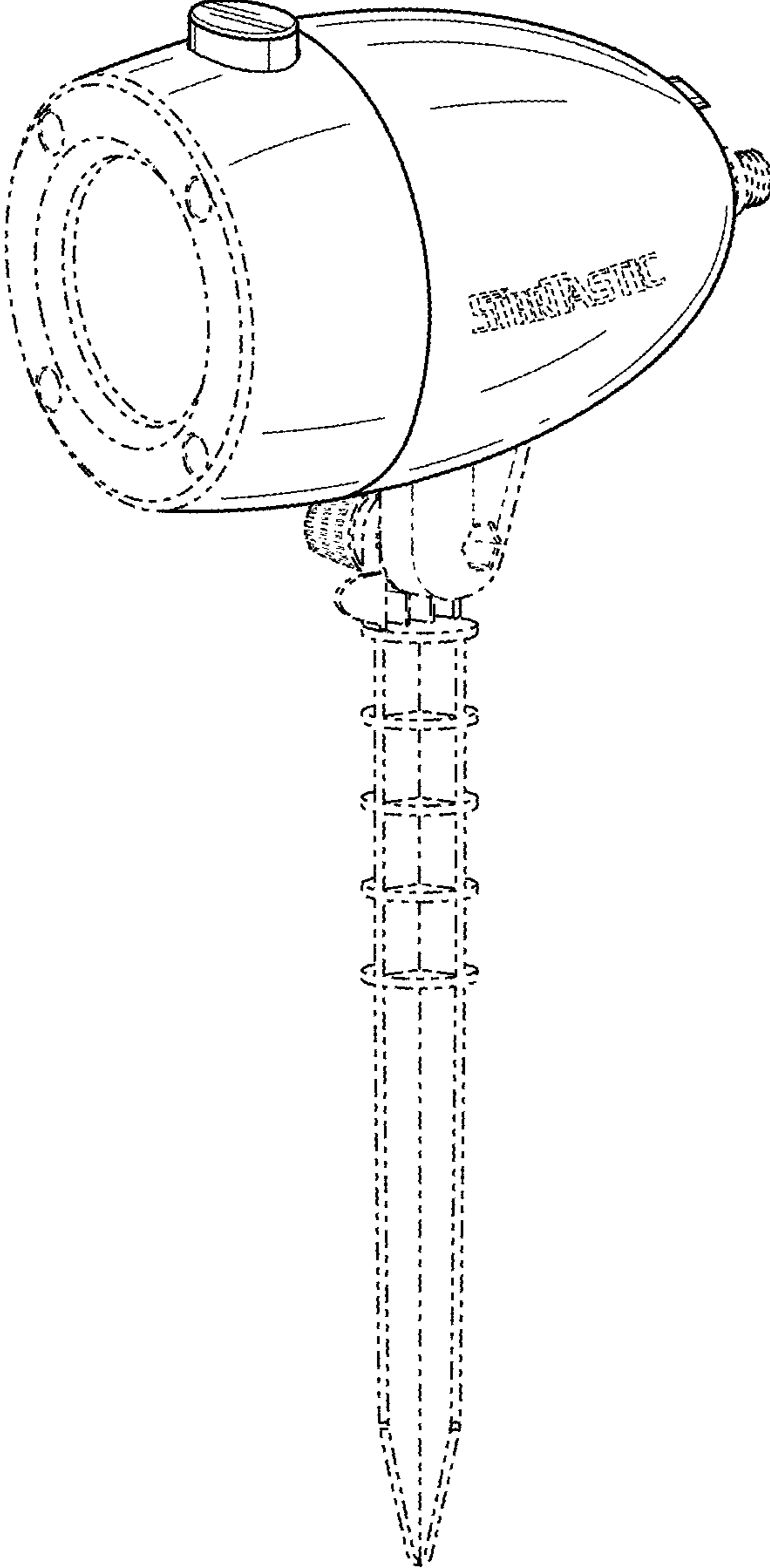


FIG. 1

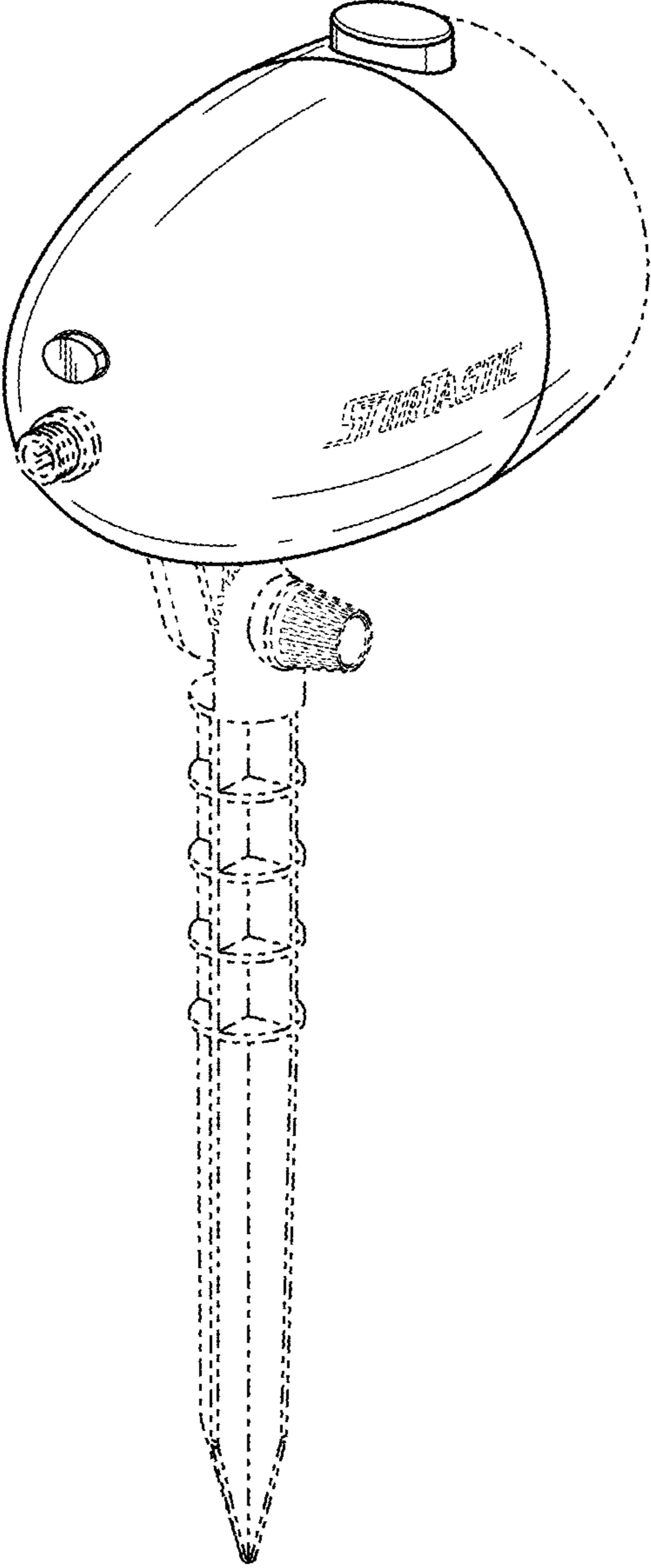


FIG. 2

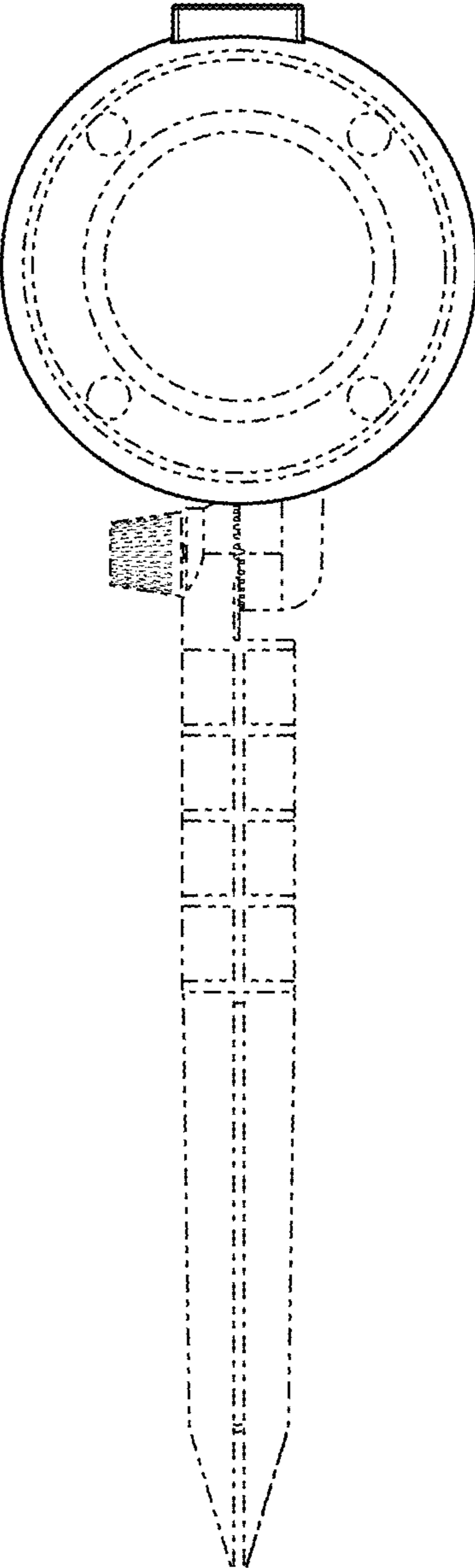


FIG. 3

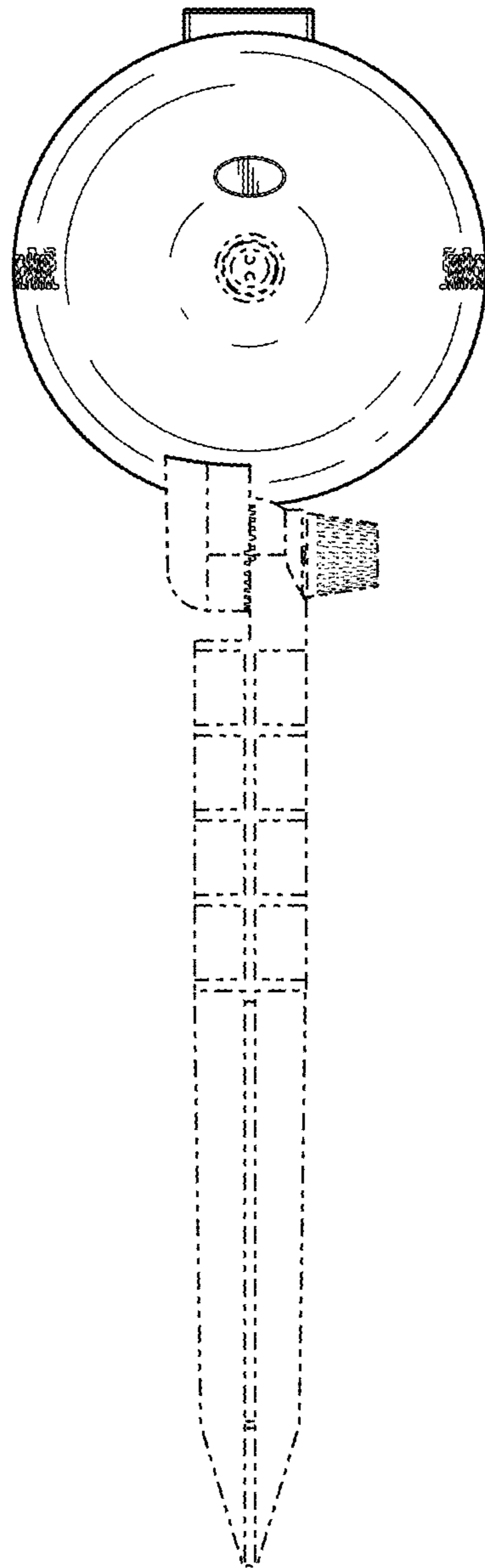


FIG. 4

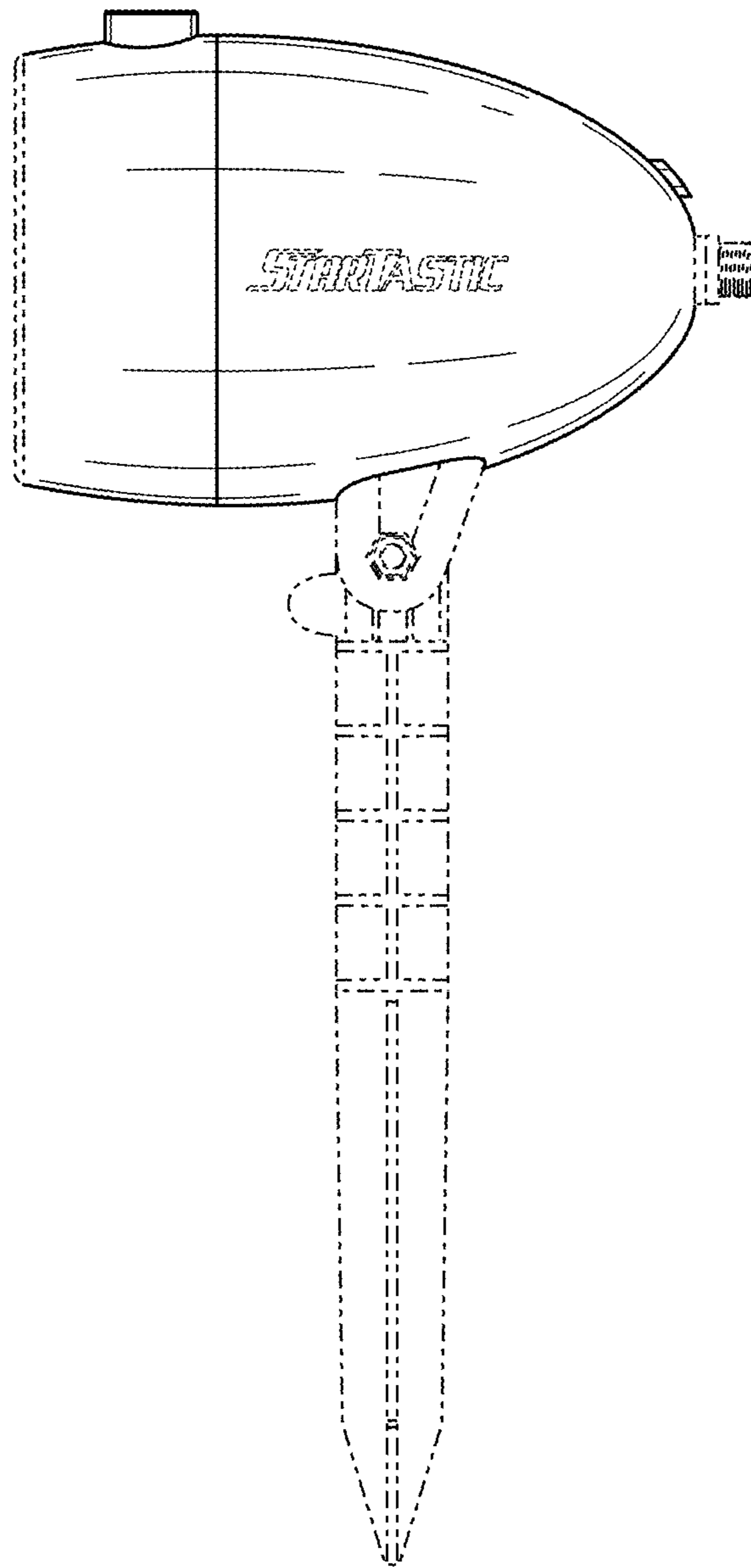


FIG. 5

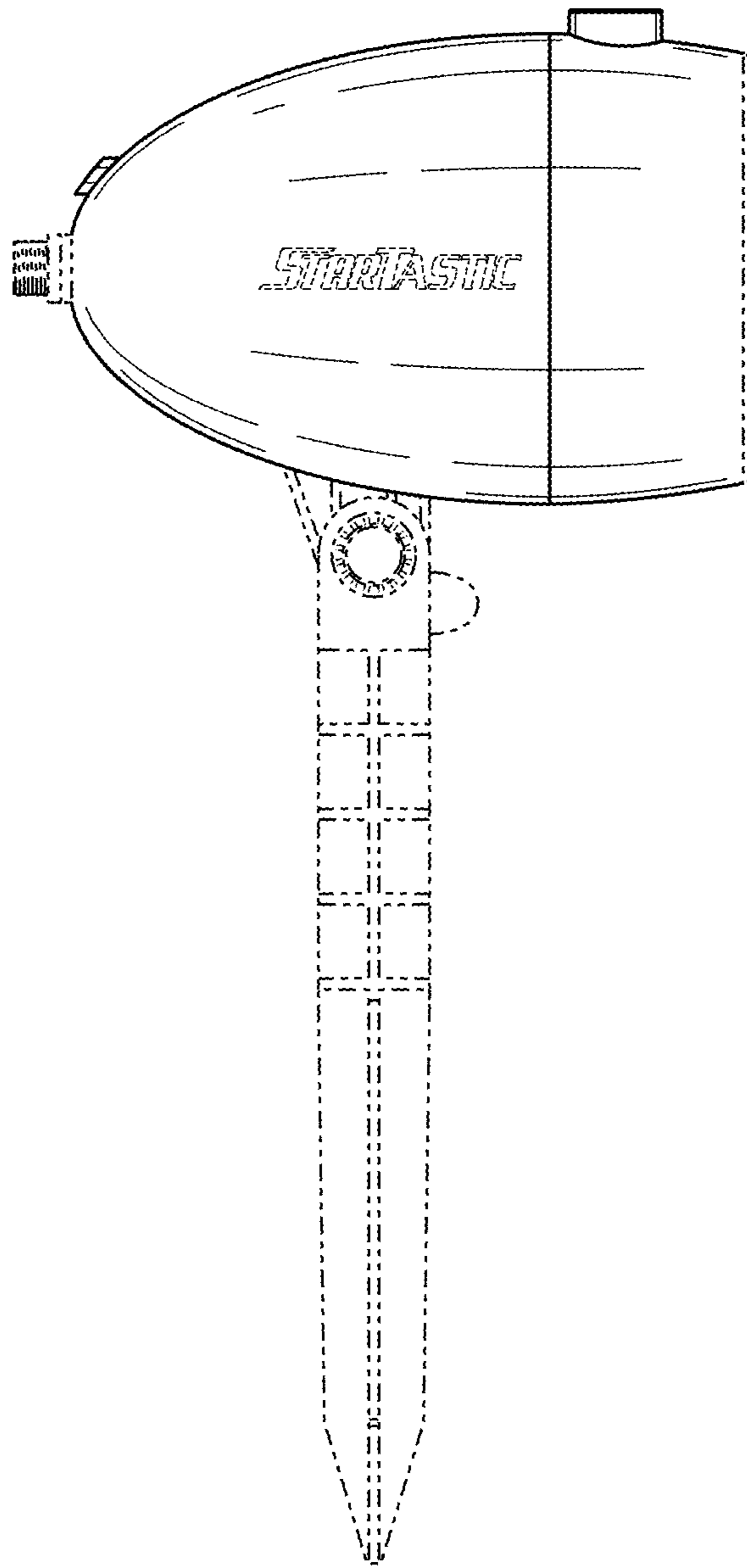


FIG. 6

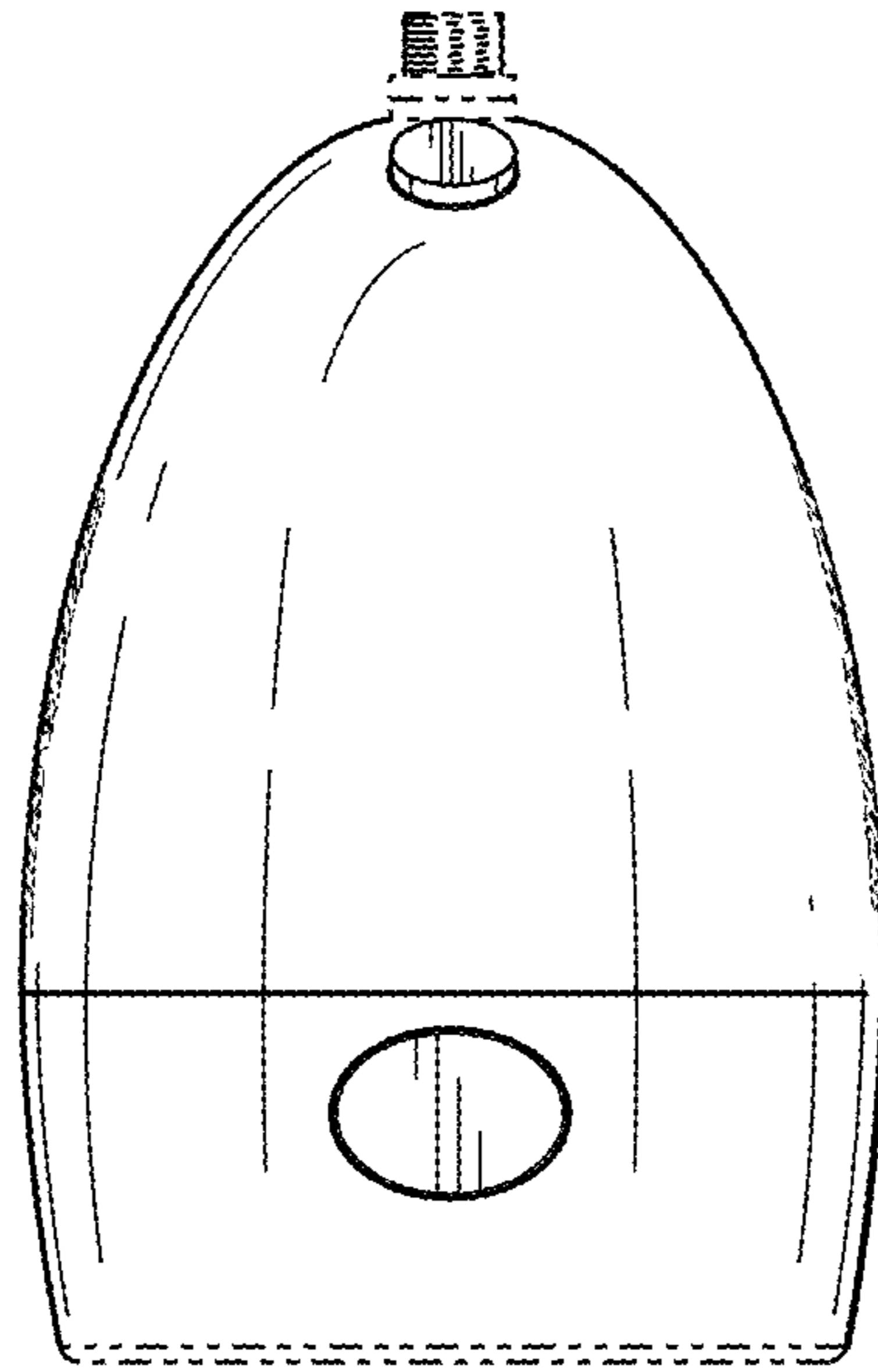


FIG. 7

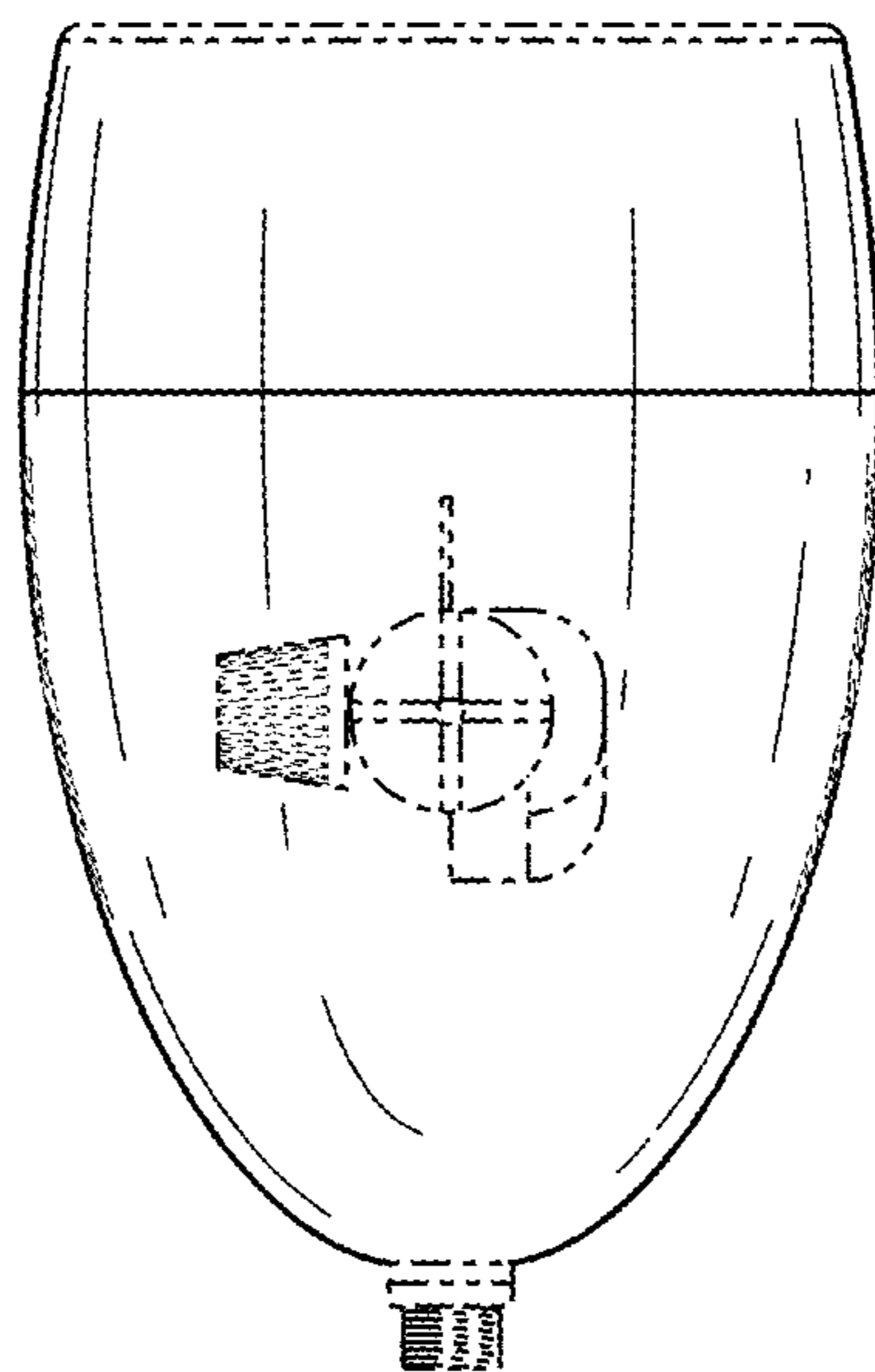


FIG. 8