



US00D799729S

(12) **United States Design Patent**  
**Zhong**

(10) **Patent No.:** **US D799,729 S**

(45) **Date of Patent:** **\*\* Oct. 10, 2017**

(54) **LIGHTING LAMP**

(71) Applicant: **Xiaoxuan Zhong**, Shenzhen (CN)

(72) Inventor: **Xiaoxuan Zhong**, Shenzhen (CN)

(\*\*) Term: **15 Years**

(21) Appl. No.: **29/584,542**

(22) Filed: **Nov. 15, 2016**

(51) **LOC (10) Cl.** ..... **26-03**

(52) **U.S. Cl.**  
USPC ..... **D26/63**

(58) **Field of Classification Search**  
USPC ..... D26/1, 24, 61, 63, 65, 85, 92  
CPC ..... F21V 21/14; F21V 15/01; F21V 14/02;  
F21V 21/30; F21V 21/00; F21V 14/00;  
F21S 8/00; F21S 8/003; F21S 8/043;  
F21Y 2105/001  
See application file for complete search history.

(56) **References Cited**

**U.S. PATENT DOCUMENTS**

D296,829 S \* 7/1988 Peppers ..... D26/63  
D570,024 S \* 5/2008 Guercio ..... D26/63

D747,526 S \* 1/2016 Zhang ..... D26/63  
D761,472 S \* 7/2016 Zhu ..... D26/63  
D761,473 S \* 7/2016 Zhang ..... D26/63  
D762,902 S \* 8/2016 Ke ..... D26/63  
D779,097 S \* 2/2017 Xu ..... D26/63

\* cited by examiner

*Primary Examiner* — Brian N Vinson

(74) *Attorney, Agent, or Firm* — Li & Cai Intellectual Property (USA) Office

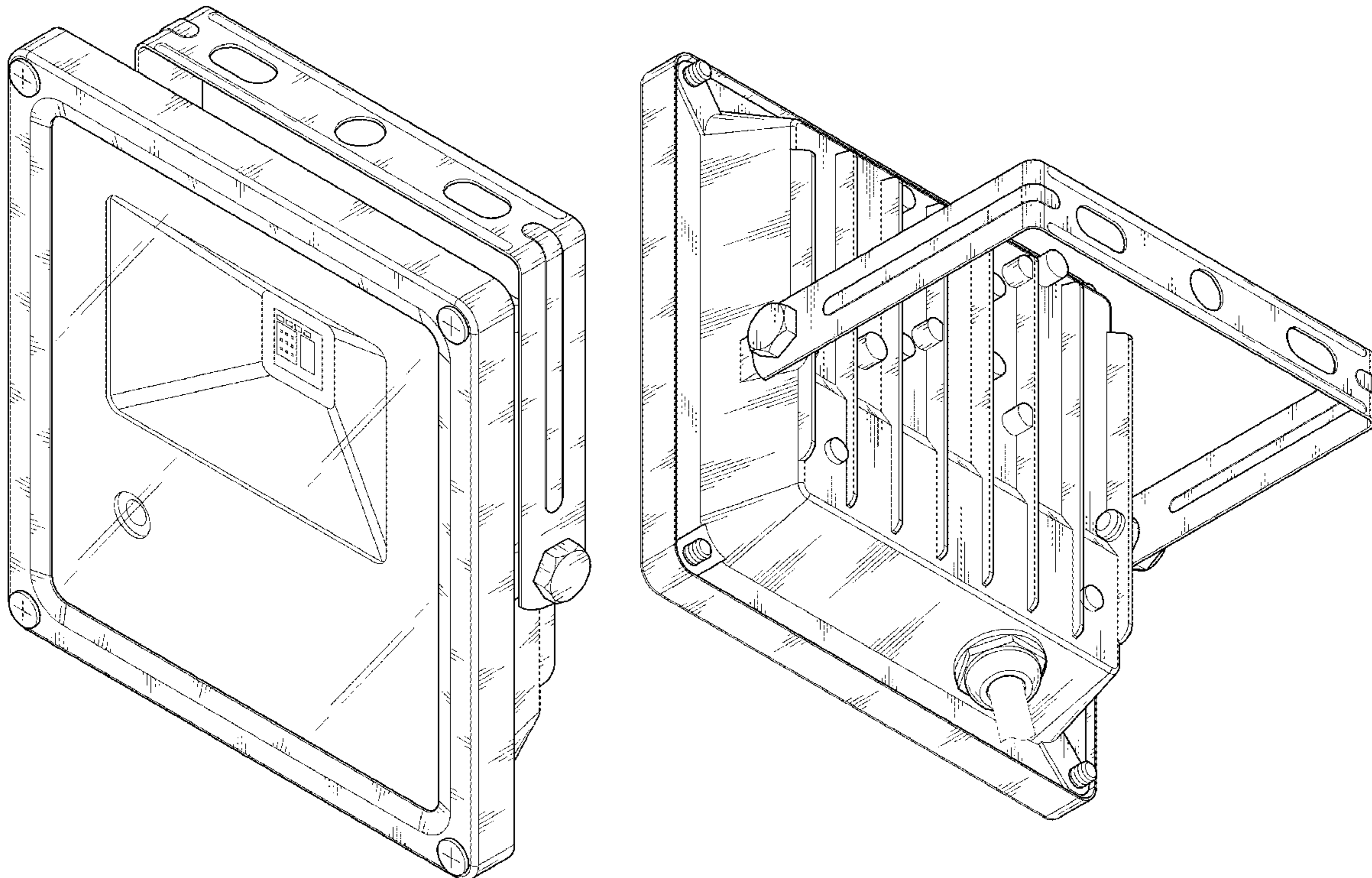
(57) **CLAIM**

The ornamental design for a “lighting lamp,” as shown and described.

**DESCRIPTION**

FIG. 1 is a perspective view of a lighting lamp showing our new design;  
FIG. 2 is a front view thereof;  
FIG. 3 is a rear view thereof;  
FIG. 4 is a left side view thereof;  
FIG. 5 is a right side view thereof;  
FIG. 6 is a top view thereof;  
FIG. 7 is a bottom view thereof; and,  
FIG. 8 is a perspective view viewed from another visual angle thereof.

**1 Claim, 6 Drawing Sheets**



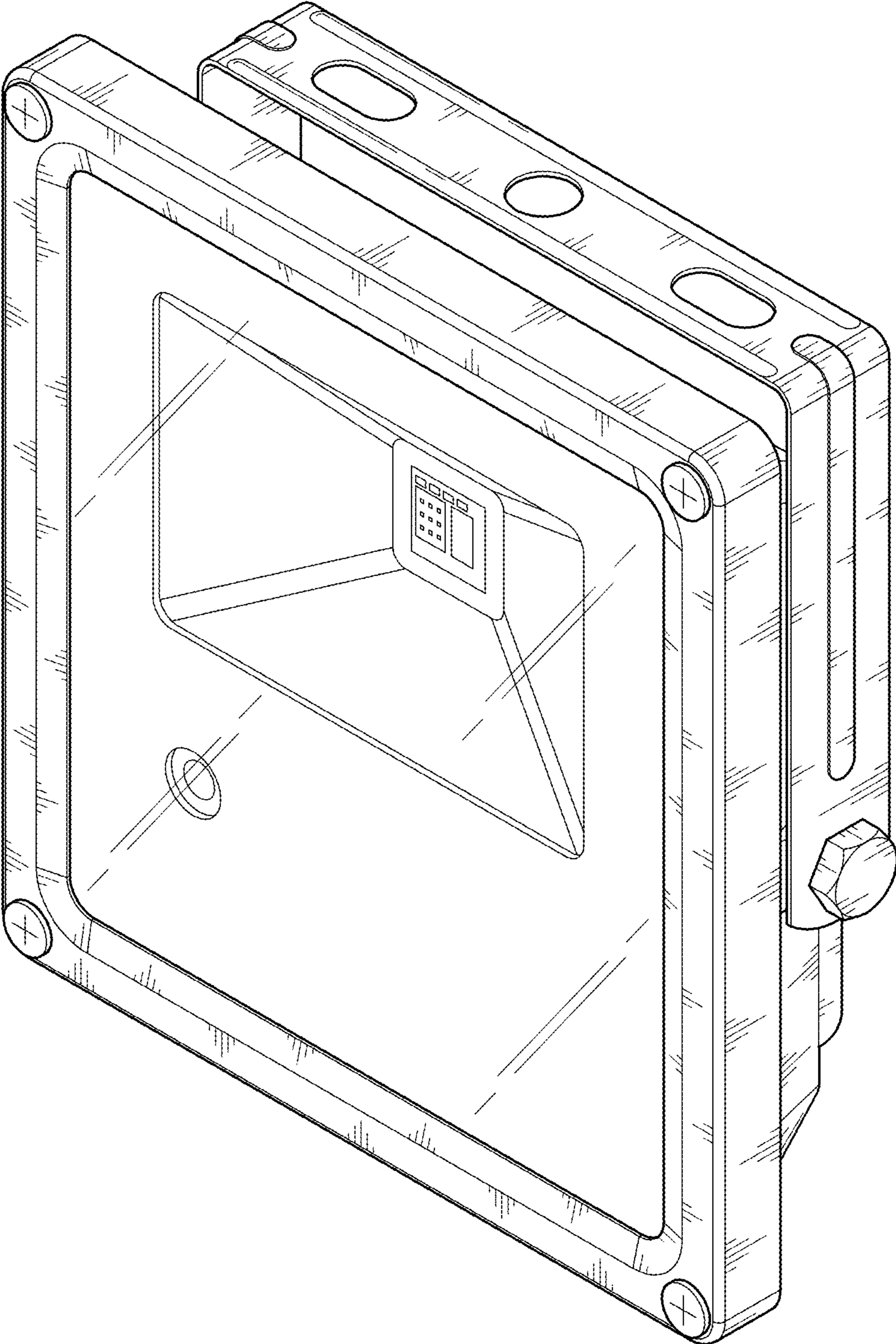


FIG. 1

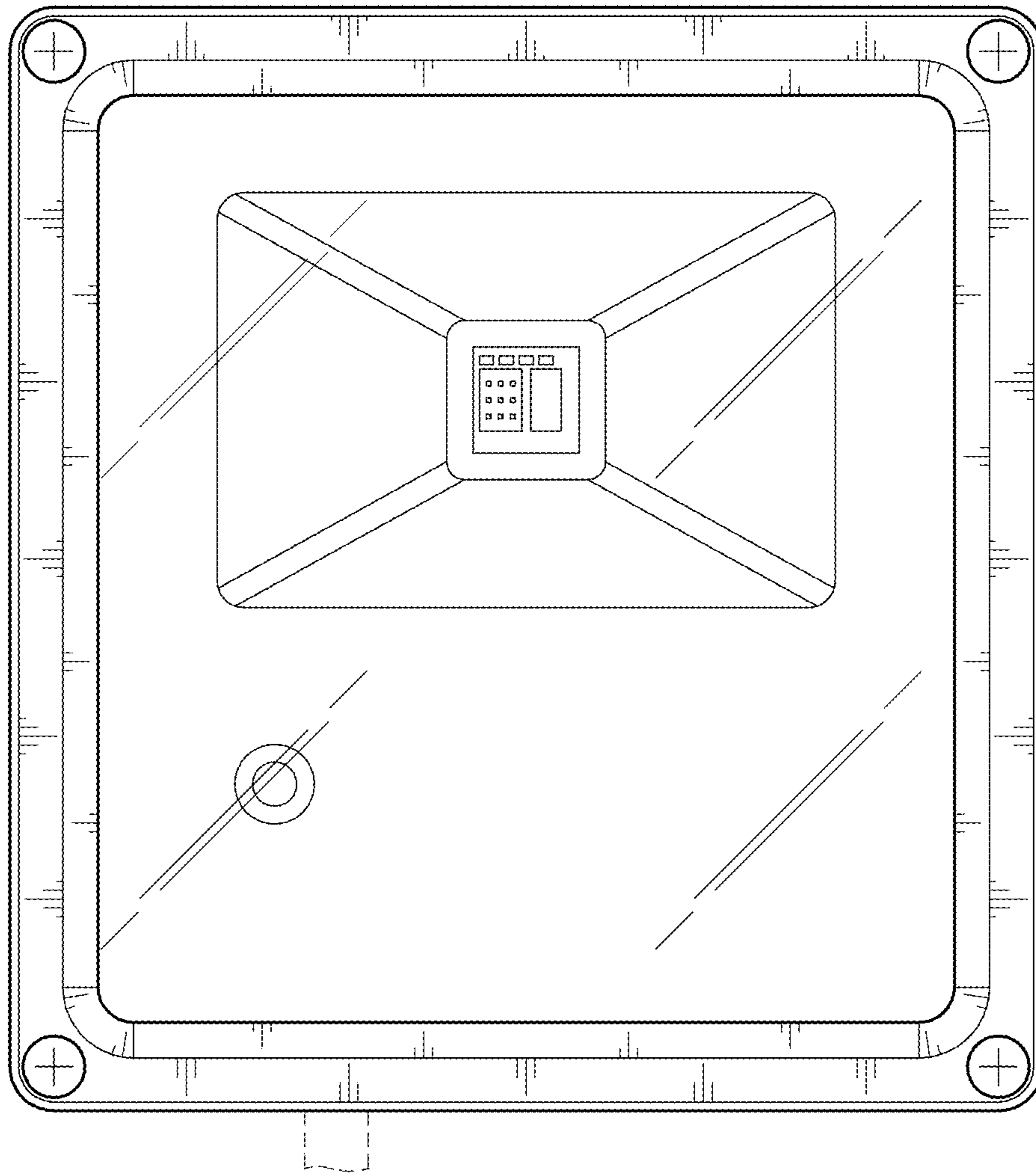


FIG. 2



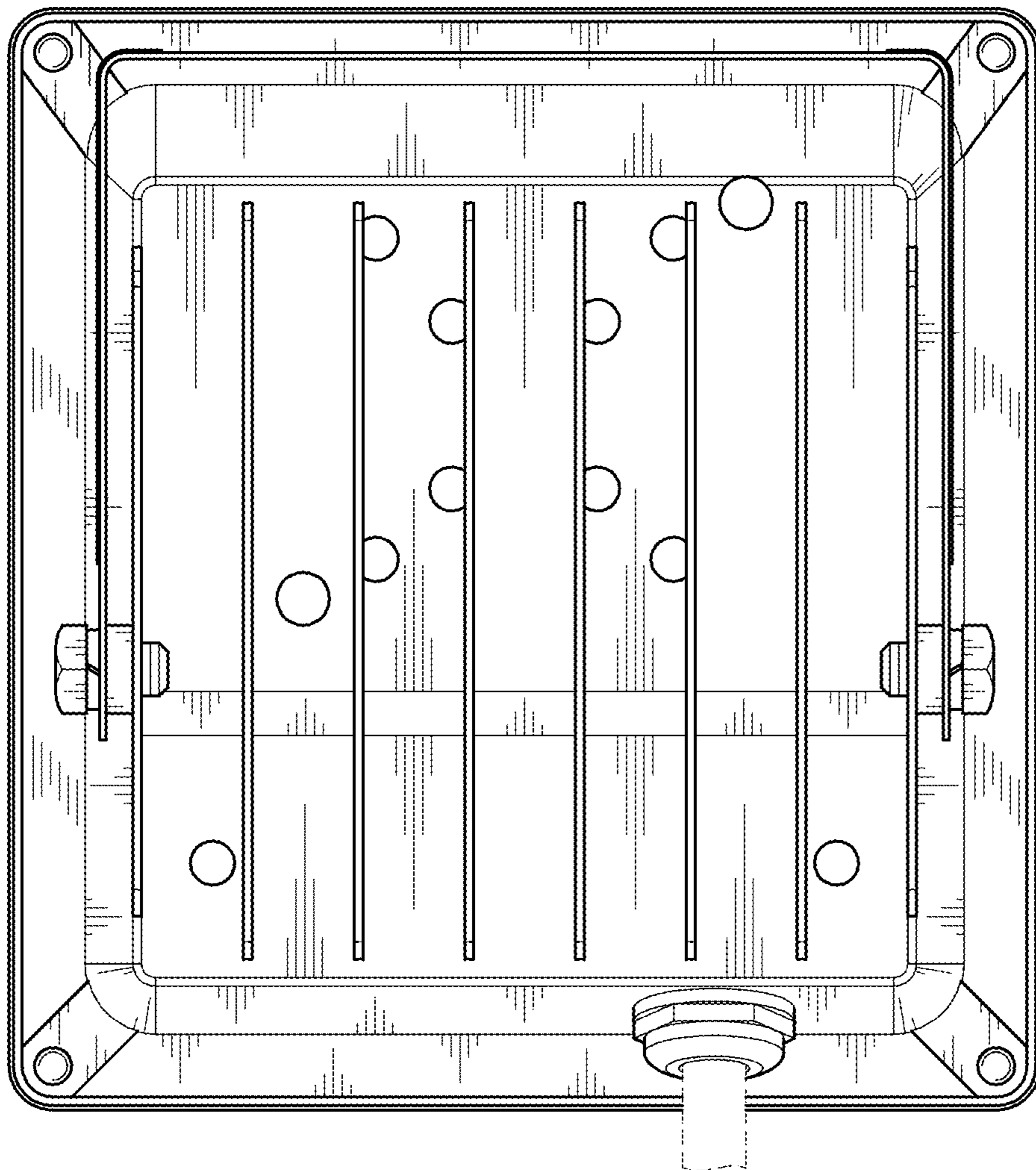


FIG. 3

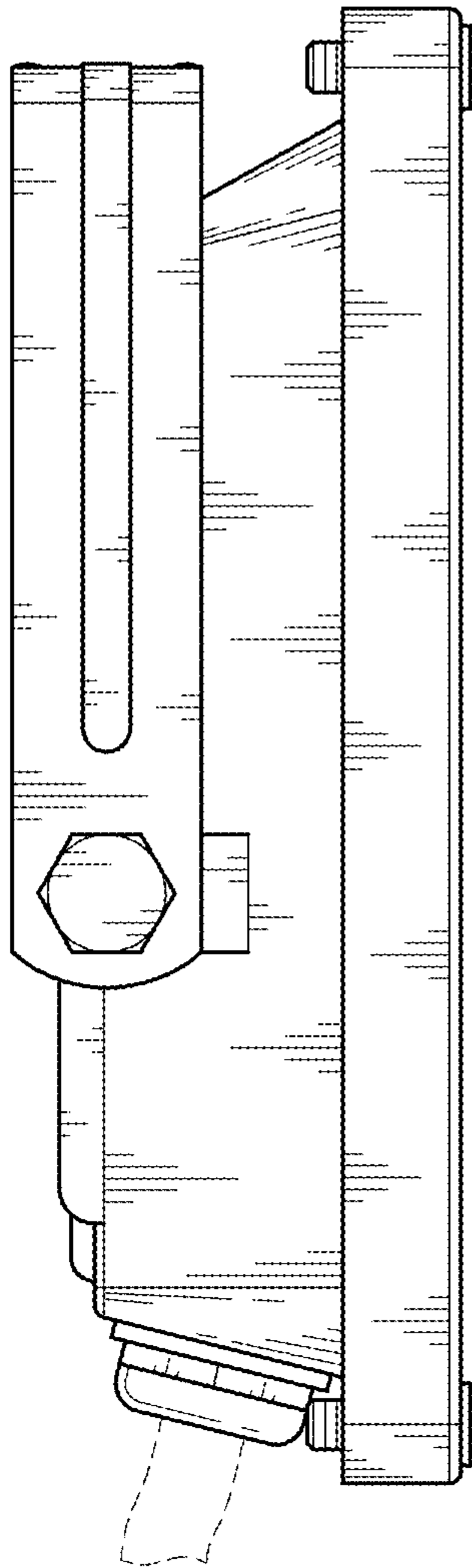


FIG. 4

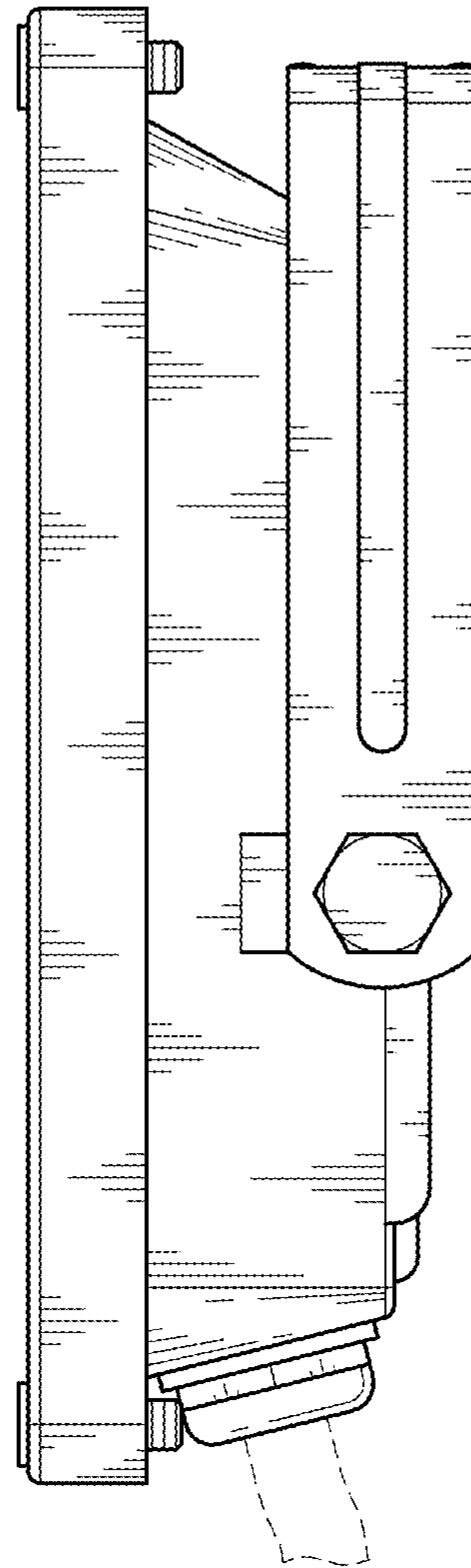


FIG. 5

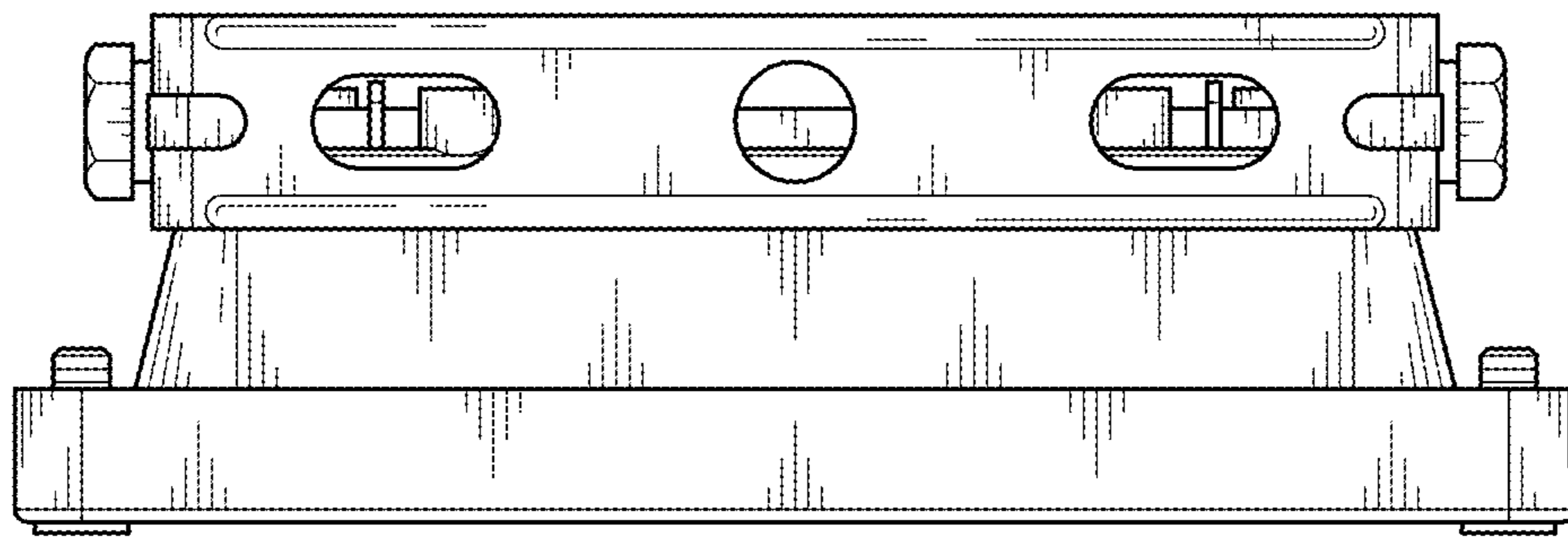


FIG. 6

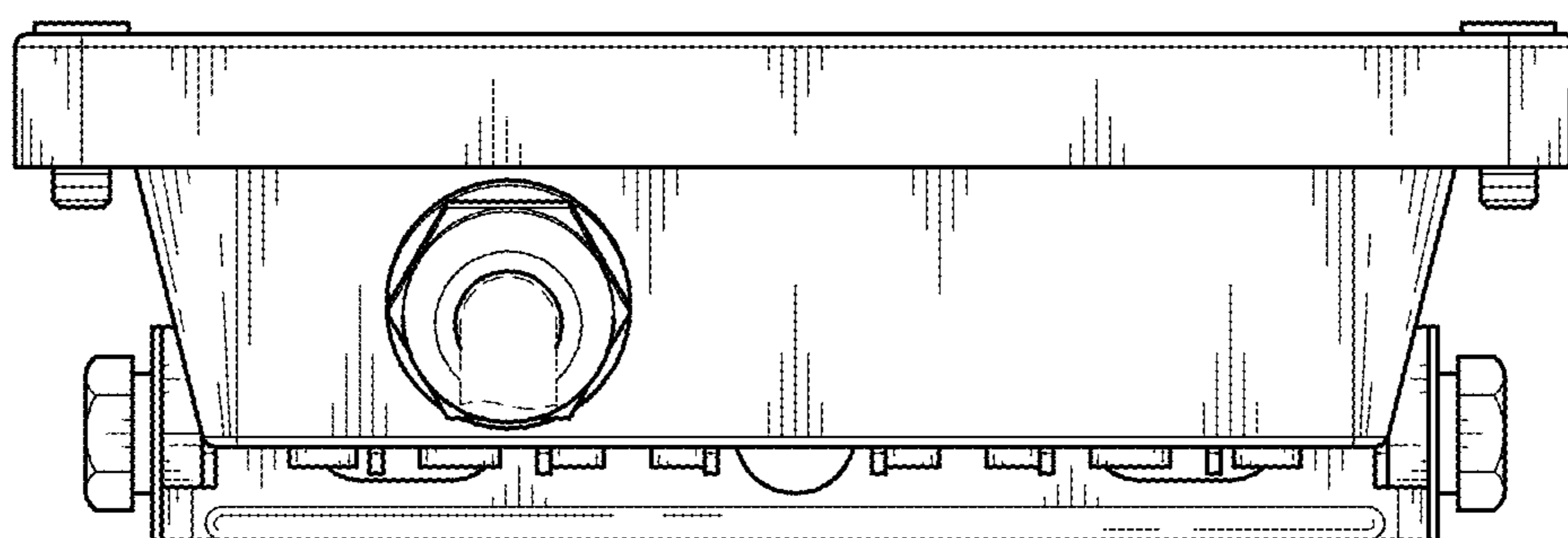


FIG. 7

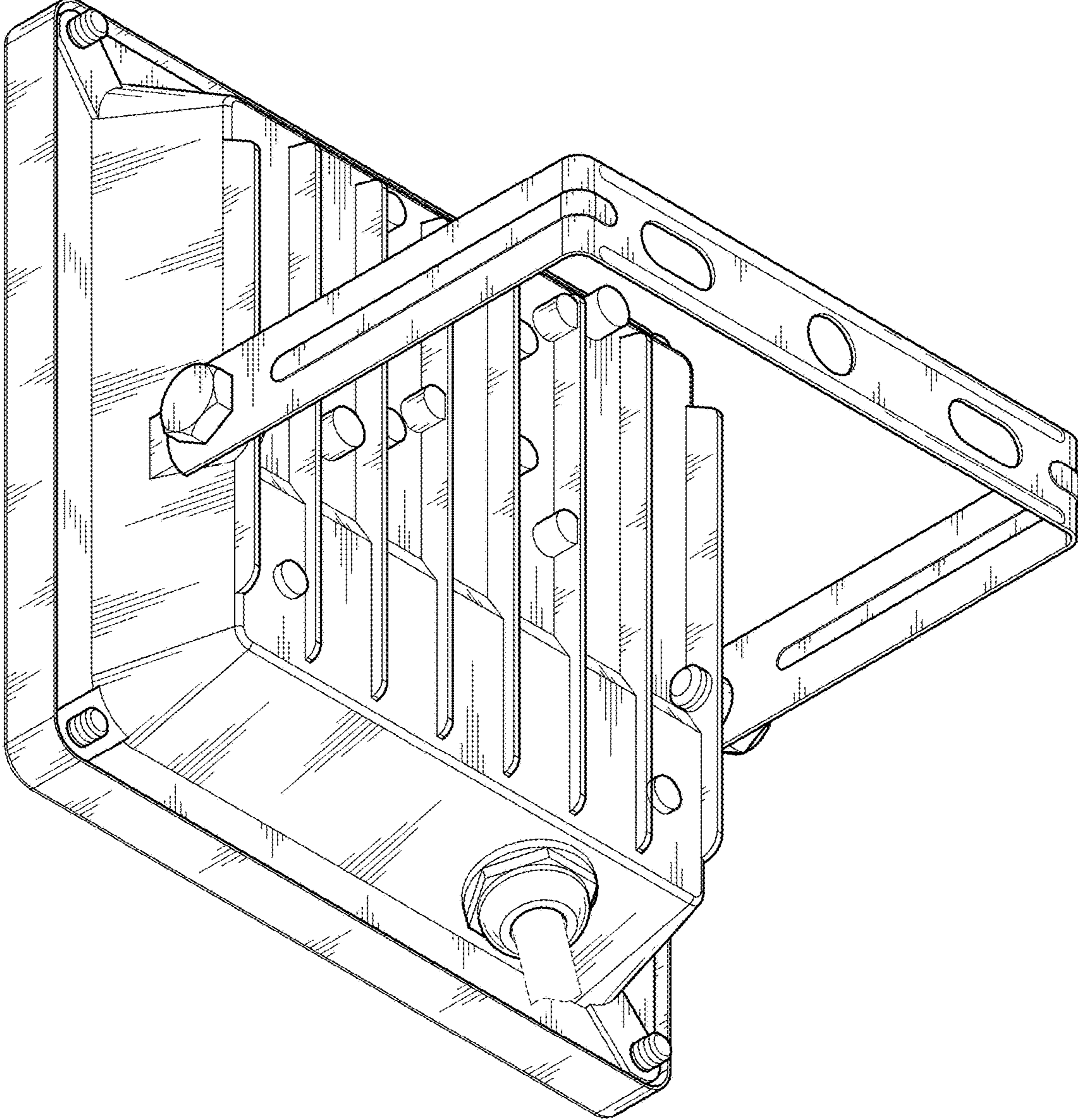


FIG. 8