



US00D799724S

(12) **United States Design Patent**
Wei et al.

(10) **Patent No.: US D799,724 S**

(45) **Date of Patent: ** *Oct. 10, 2017**

(54) **LED LAMP**

(71) Applicant: **Smalux Electrical Mfg. Ltd.**, Shenzhen (CN)

(72) Inventors: **Yonggang Wei**, Shenzhen (CN);
Wentao Chang, Shenzhen (CN)

(73) Assignee: **SMALUX ELECTRICAL MFG. LTD.**, Shenzhen (CN)

(*) Notice: This patent is subject to a terminal disclaimer.

(**) Term: **15 Years**

(21) Appl. No.: **29/540,456**

(22) Filed: **Sep. 24, 2015**

(30) **Foreign Application Priority Data**

Jun. 12, 2015 (CN) 2015 3 0192757

(51) **LOC (10) Cl.** **26-04**

(52) **U.S. Cl.**
USPC **D26/2**

(58) **Field of Classification Search**
USPC D26/1-4; 313/313, 315, 316, 317, 318,
313/493; 315/52, 53, 56, 57, 58
CPC H01J 5/48; H01J 5/50; H01J 19/54; F21V
5/00

See application file for complete search history.

(56) **References Cited**

U.S. PATENT DOCUMENTS

D545,457 S *	6/2007	Chen	D26/2
D566,300 S *	4/2008	Lo	D26/2
D571,489 S *	6/2008	Opolka	D26/2
D582,578 S *	12/2008	Tsai	D26/2
D593,222 S *	5/2009	To	D26/2
D602,182 S *	10/2009	Foo	D26/2

* cited by examiner

Primary Examiner — Marcus Jackson

(74) *Attorney, Agent, or Firm* — Leason Ellis LLP.

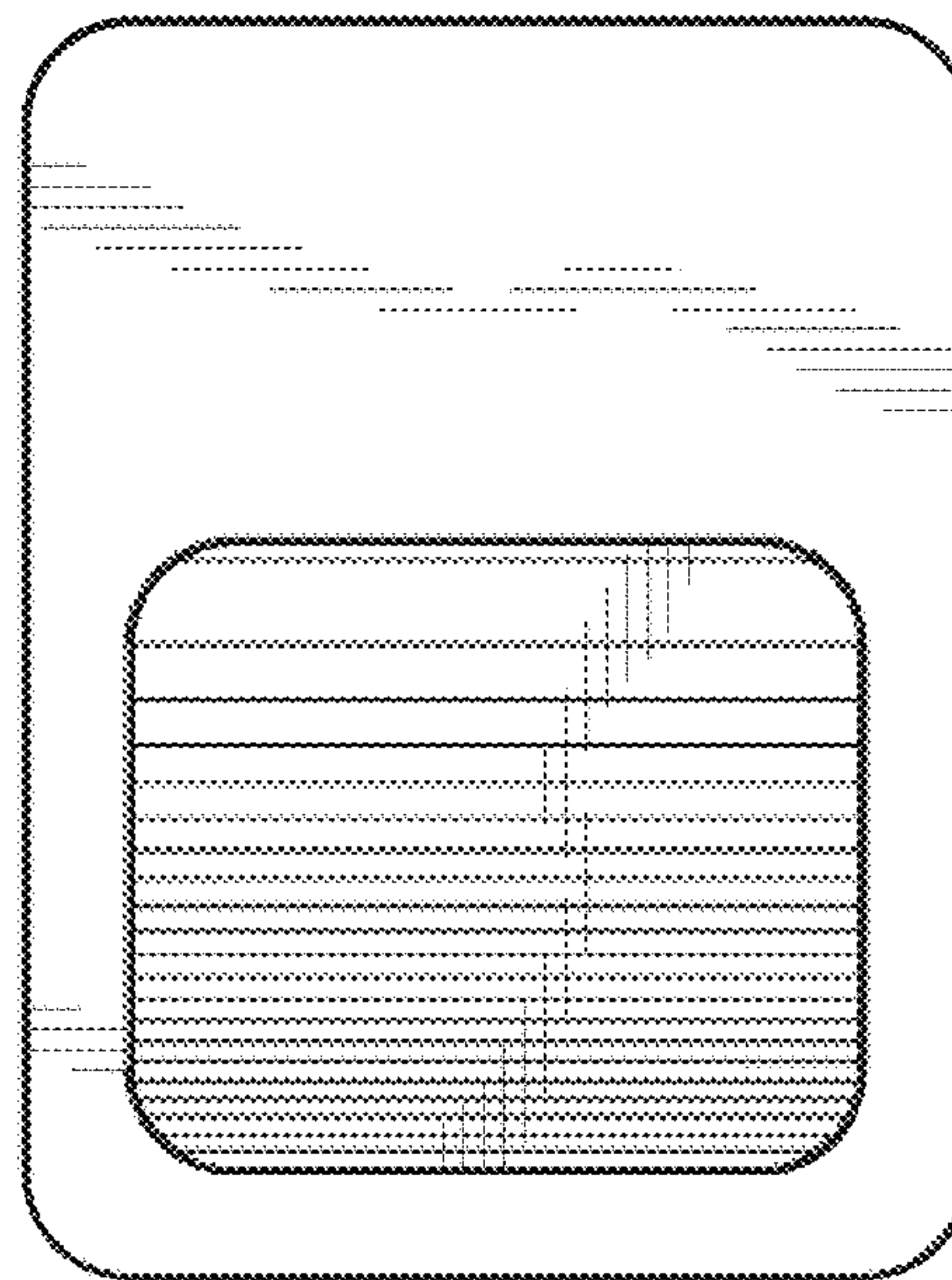
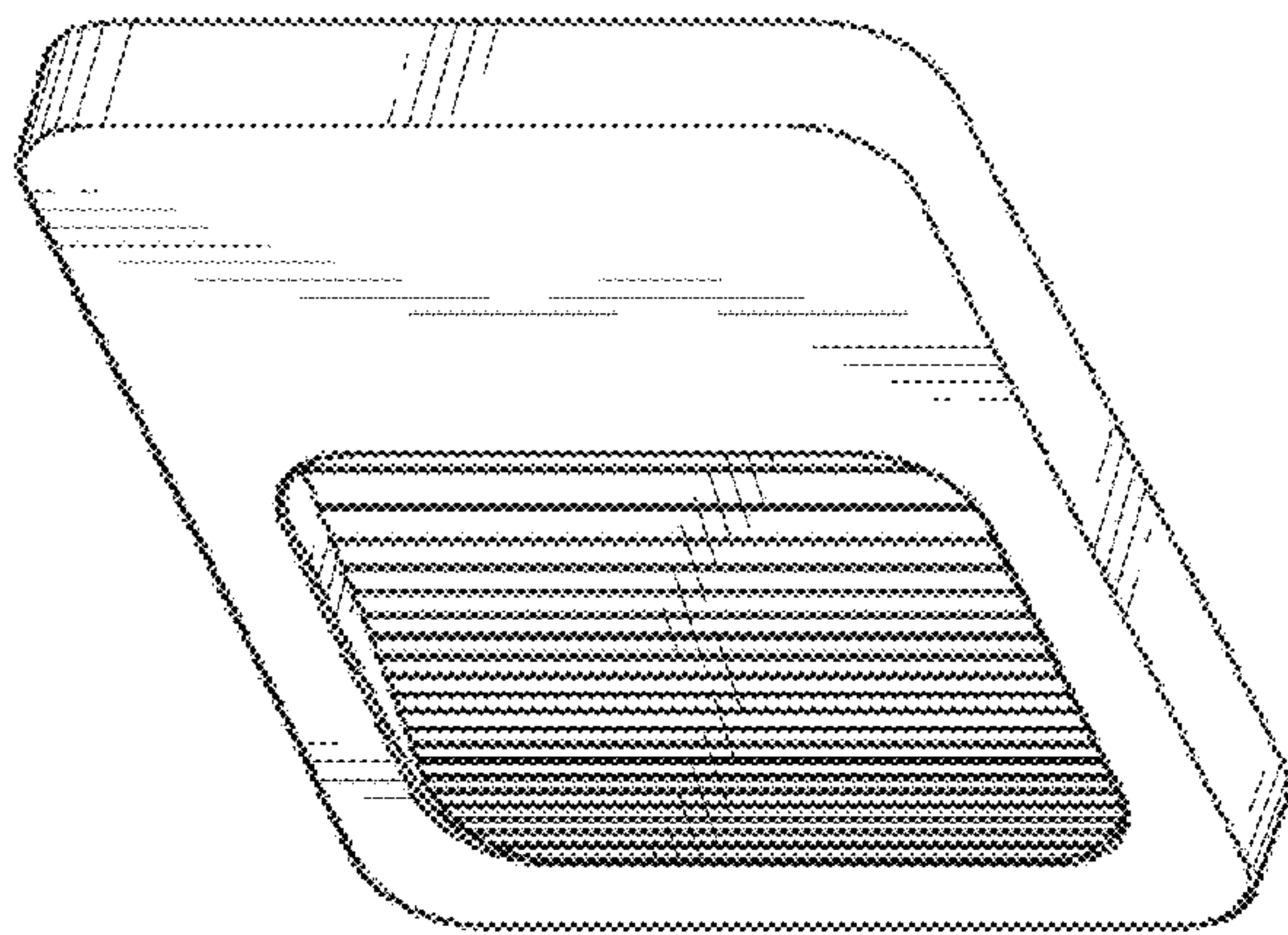
(57) **CLAIM**

We claim the novel ornamental design for an LED lamp, as shown.

DESCRIPTION

FIG. 1 is a front, right, top perspective view of an LED lamp showing our new design;
FIG. 2 is a front elevation view thereof;
FIG. 3 is a rear elevation view thereof;
FIG. 4 is a left side elevation view thereof;
FIG. 5 is a right side elevation view thereof;
FIG. 6 is a top plan view thereof; and,
FIG. 7 is a bottom plan view thereof.

1 Claim, 3 Drawing Sheets



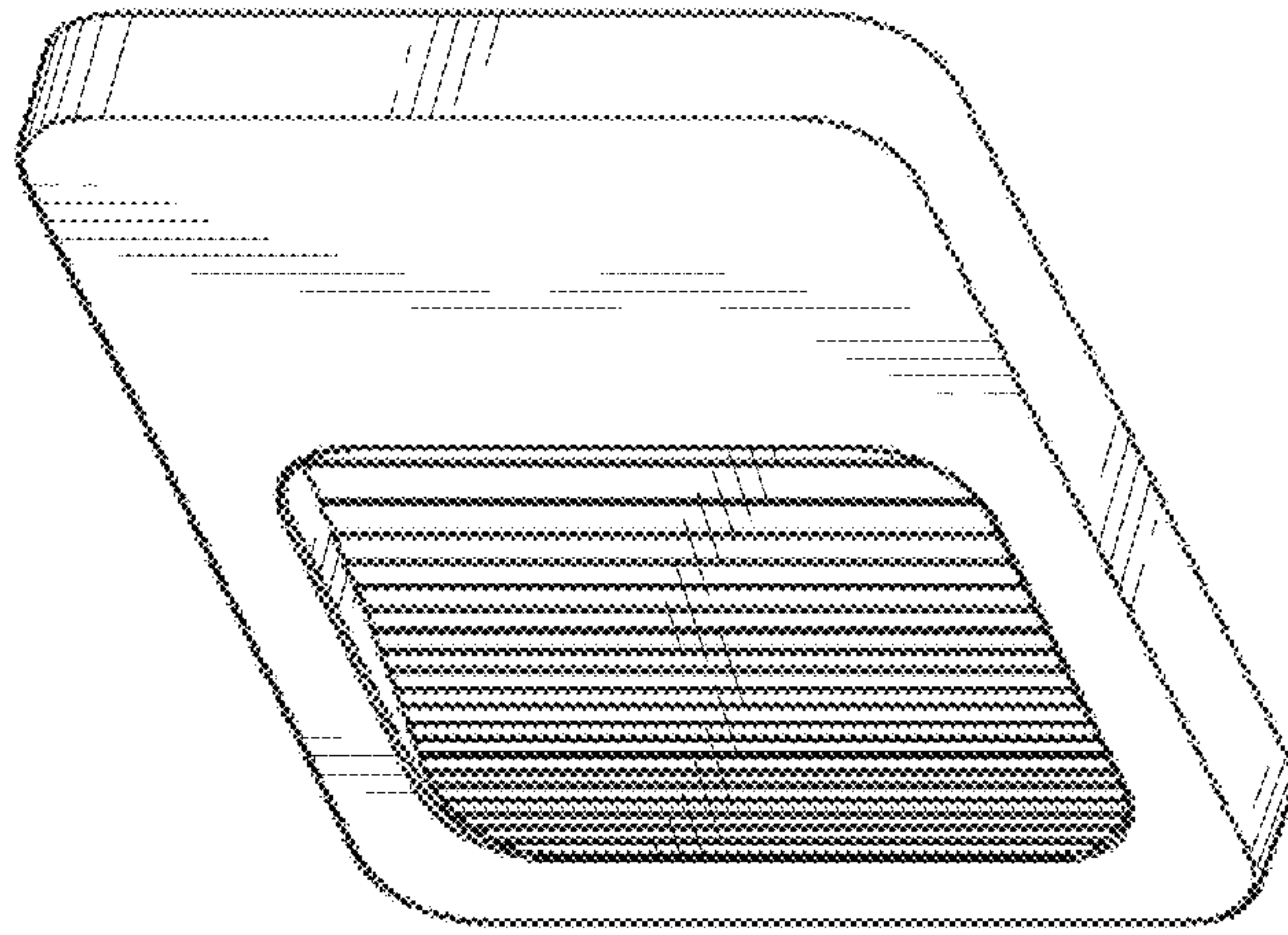


Fig. 1

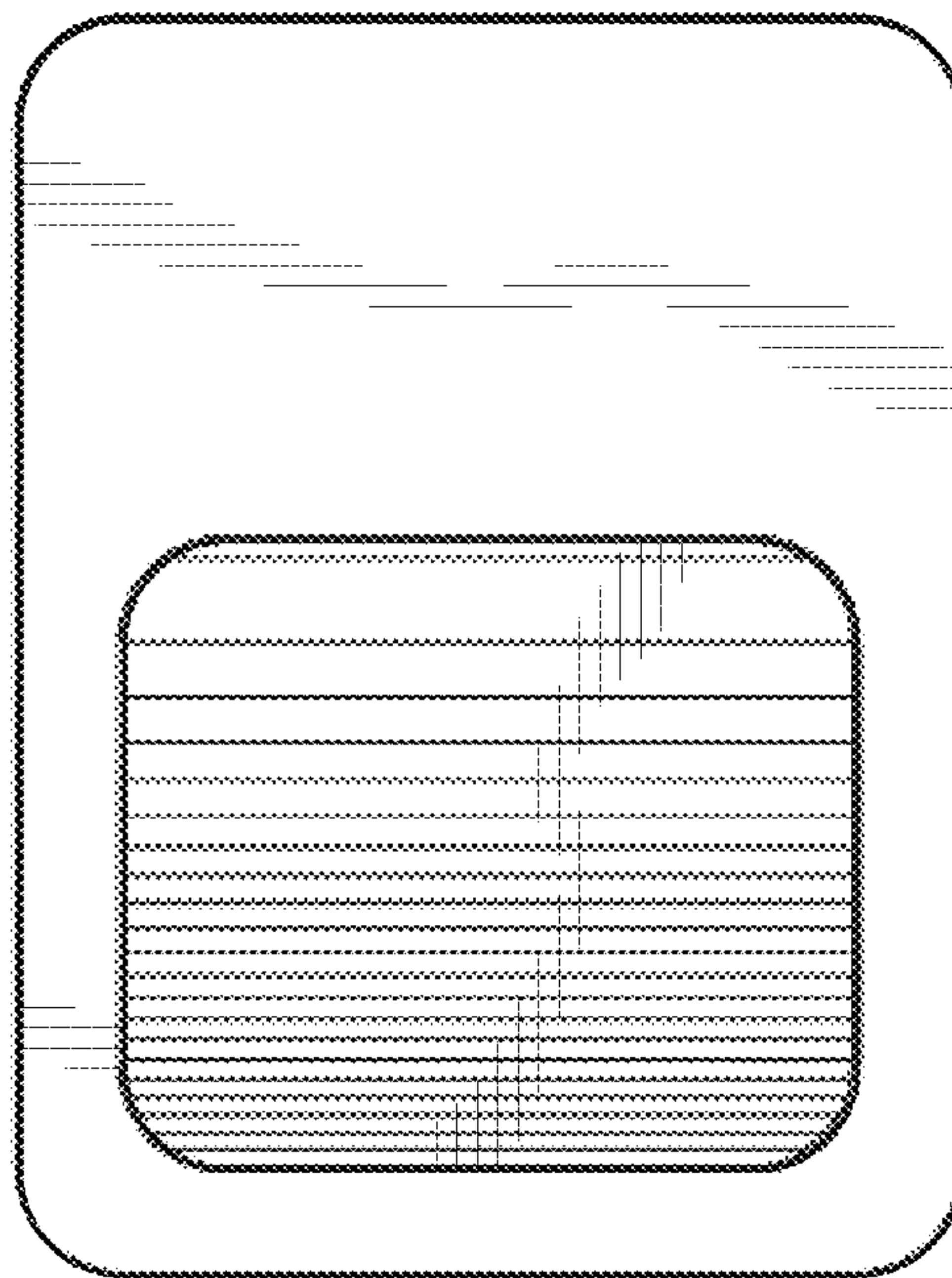


Fig. 2

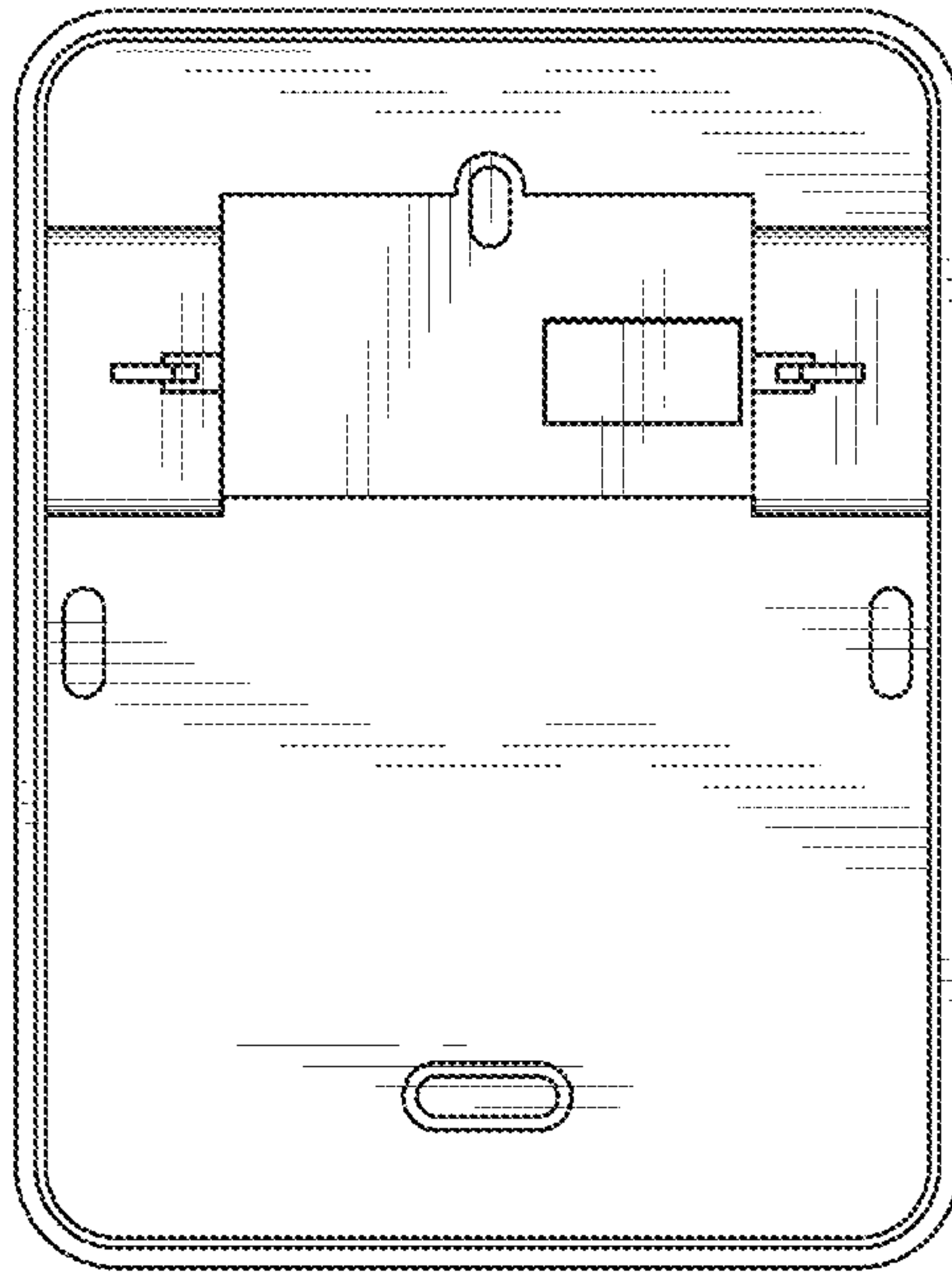


Fig. 3



Fig. 4

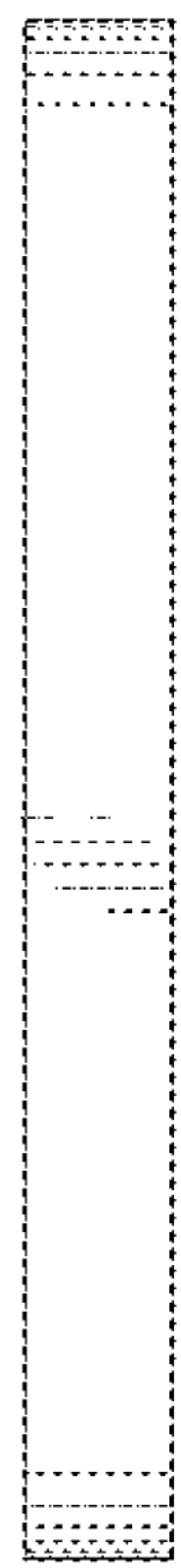


Fig. 5

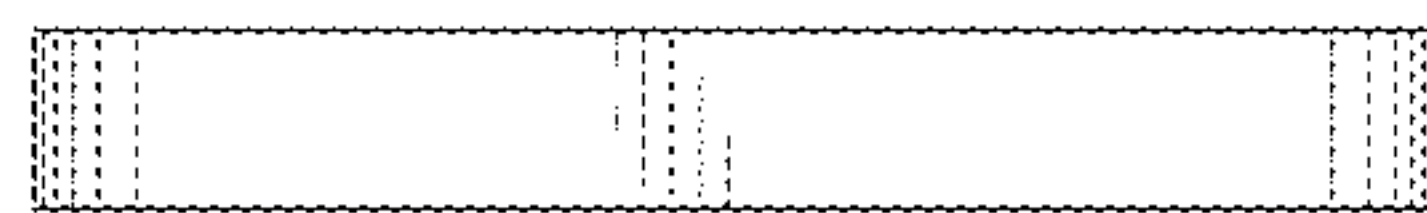


Fig. 6



Fig. 7