



US00D799721S

(12) **United States Design Patent** (10) **Patent No.:** **US D799,721 S**
Leitch (45) **Date of Patent:** **** Oct. 10, 2017**

(54) **SHINGLE**
(71) Applicant: **Building Materials Investment Corporation, Dallas, TX (US)**
(72) Inventor: **Olan Leitch, Bakersfield, CA (US)**
(73) Assignee: **Building Materials Investment Corporation, Dallas, TX (US)**
(**) Term: **15 Years**

2,421,892 A 6/1947 Kirschbraun
3,138,897 A 6/1964 McCorkle
3,613,328 A 10/1971 Morgan, Jr. et al.
4,499,702 A * 2/1985 Turner E04D 1/26
52/555
D313,658 S 1/1991 Noone
5,305,569 A * 4/1994 Malmquist E04D 1/26
52/309.14
D347,900 S * 6/1994 Stapleton D25/139
D350,615 S * 9/1994 Klein D25/139
D369,421 S * 4/1996 Kiik D25/139
5,939,169 A * 8/1999 Bondoc E04D 1/26
428/141

(21) Appl. No.: **29/575,497**

(22) Filed: **Aug. 25, 2016**

(51) **LOC (10) Cl.** **25-01**

(52) **U.S. Cl.**
USPC **D25/139**

(58) **Field of Classification Search**
USPC D25/138-163
CPC E04D 1/00; E04D 1/02; E04D 1/06; E04D 1/12; E04D 1/18; E04D 3/00; E04D 3/02; E04D 3/16; E04D 3/24; E04D 3/30; E04D 3/361; E04D 3/368; E04D 3/362; E04D 3/363; E04D 3/364; E04D 1/26; E04D 2001/005; E04D 2001/3491; E04D 7/005; E04D 1/265; E04F 2201/0115; E04F 2201/0153; E04F 13/08; E04F 13/0894

See application file for complete search history.

(56) **References Cited**

U.S. PATENT DOCUMENTS

D51,438 S * 10/1917 Caron D25/139
1,345,627 A 7/1920 Overbury
1,767,374 A 6/1930 Kirschbraun
1,915,964 A 6/1933 Wall
2,096,968 A 10/1937 Johnston
2,199,760 A 5/1940 Schuetz
2,210,209 A 8/1940 Kirschbraun
2,340,038 A * 1/1944 Buczkowski E04D 1/265
52/554

(Continued)

OTHER PUBLICATIONS

Woodland Lifetime Design Shingles Application Instructions Updated Oct. 2014, http://www.gaf.com/Residential_Roofing/Shingles/Woodland/Woodland_Application_Instructions_English_Spanish_French.pdf.

(Continued)

Primary Examiner — Vy Koenig
Assistant Examiner — Kimberly Barnes
(74) *Attorney, Agent, or Firm* — Fitzpatrick, Cella, Harper & Scinto

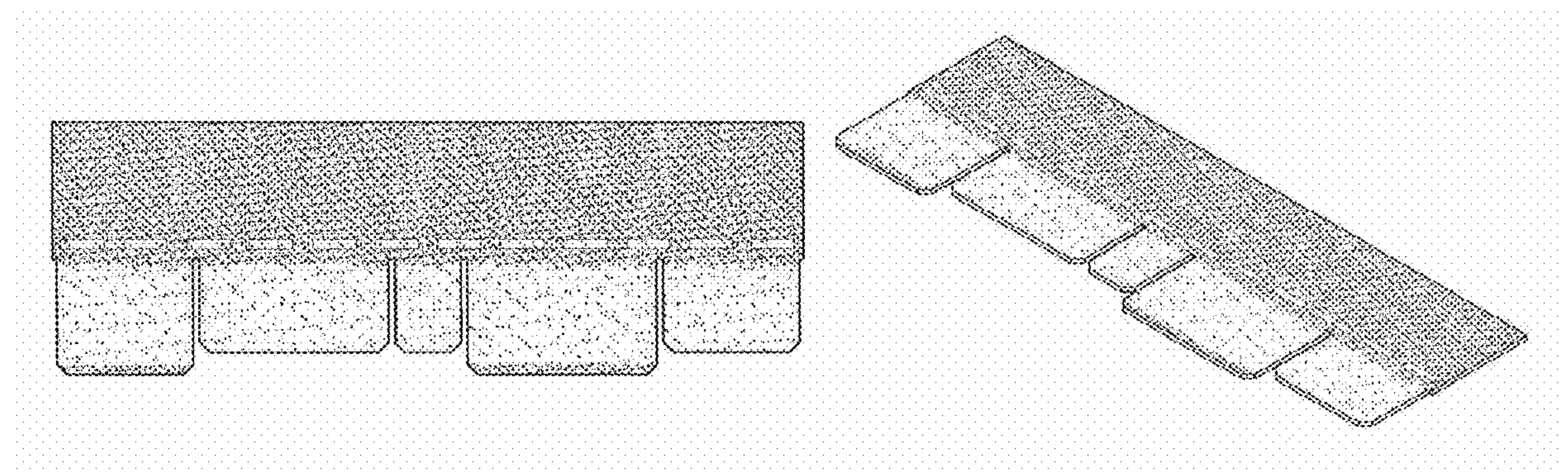
(57) **CLAIM**

The ornamental design for a shingle, as shown and described.

DESCRIPTION

FIG. 1 is a top plan view of a shingle showing my new design;
FIG. 2 is a front elevation view thereof;
FIG. 3 is a rear elevation view thereof;
FIG. 4 is a left side elevation view thereof;
FIG. 5 is a right side elevation view thereof;
FIG. 6 is a perspective view thereof; and,
FIG. 7 is a bottom plan view thereof.

1 Claim, 2 Drawing Sheets



(56)

References Cited

U.S. PATENT DOCUMENTS

6,014,847 A * 1/2000 Phillips E04D 1/26
52/311.1
6,276,107 B1 * 8/2001 Waggoner E04F 13/08
52/313
D452,917 S * 1/2002 Bondoc D25/139
6,361,851 B1 3/2002 Sieling et al.
6,467,235 B2 10/2002 Kalkanoglu et al.
7,805,905 B2 * 10/2010 Rodrigues B32B 3/06
52/314
7,877,949 B1 2/2011 Elliott
D641,502 S * 7/2011 Elliott D25/143
7,971,406 B2 7/2011 Kalkanoglu
D665,103 S 8/2012 Rodrigues et al.
D666,745 S 9/2012 Rodrigues et al.
9,074,373 B2 * 7/2015 Stahl E04D 11/02
D761,445 S * 7/2016 Rodrigues D25/139
9,464,439 B2 * 10/2016 Buzza
D774,664 S * 12/2016 Rodrigues D25/143
2004/0079042 A1 * 4/2004 Elliott E04D 1/26
52/557
2010/0205898 A1 8/2010 Rodrigues et al.

OTHER PUBLICATIONS

Woodland Brochure Updated Jul. 2016, http://www.gaf.com/Residential_Roofing/Shingles/Woodland/Woodland_Brochure.pdf.

* cited by examiner

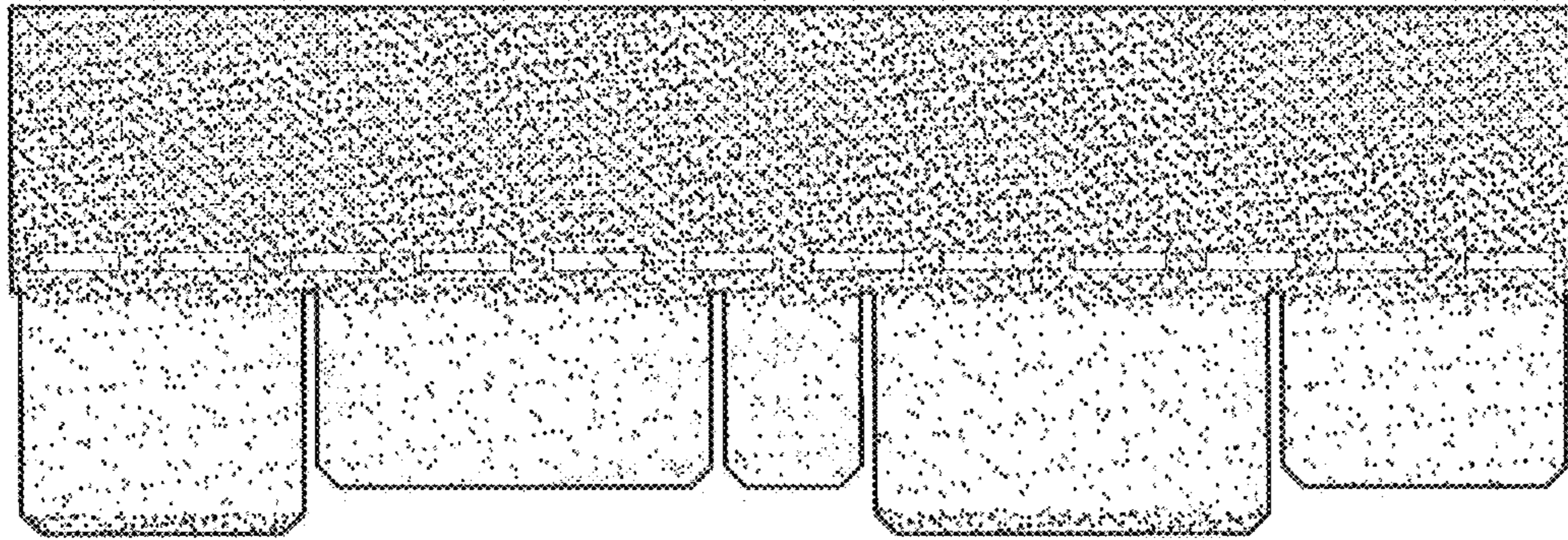


FIG. 1

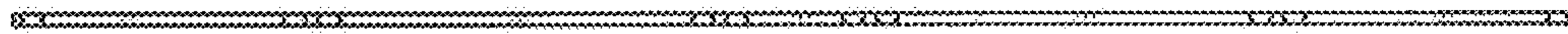


FIG. 2

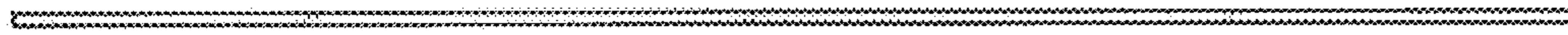


FIG. 3

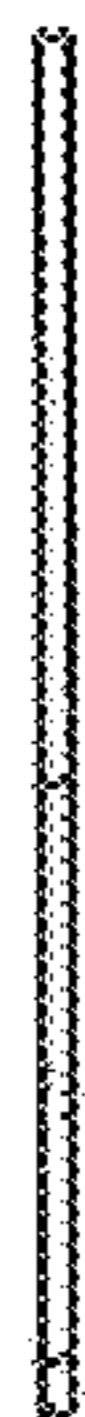


FIG. 4



FIG. 5

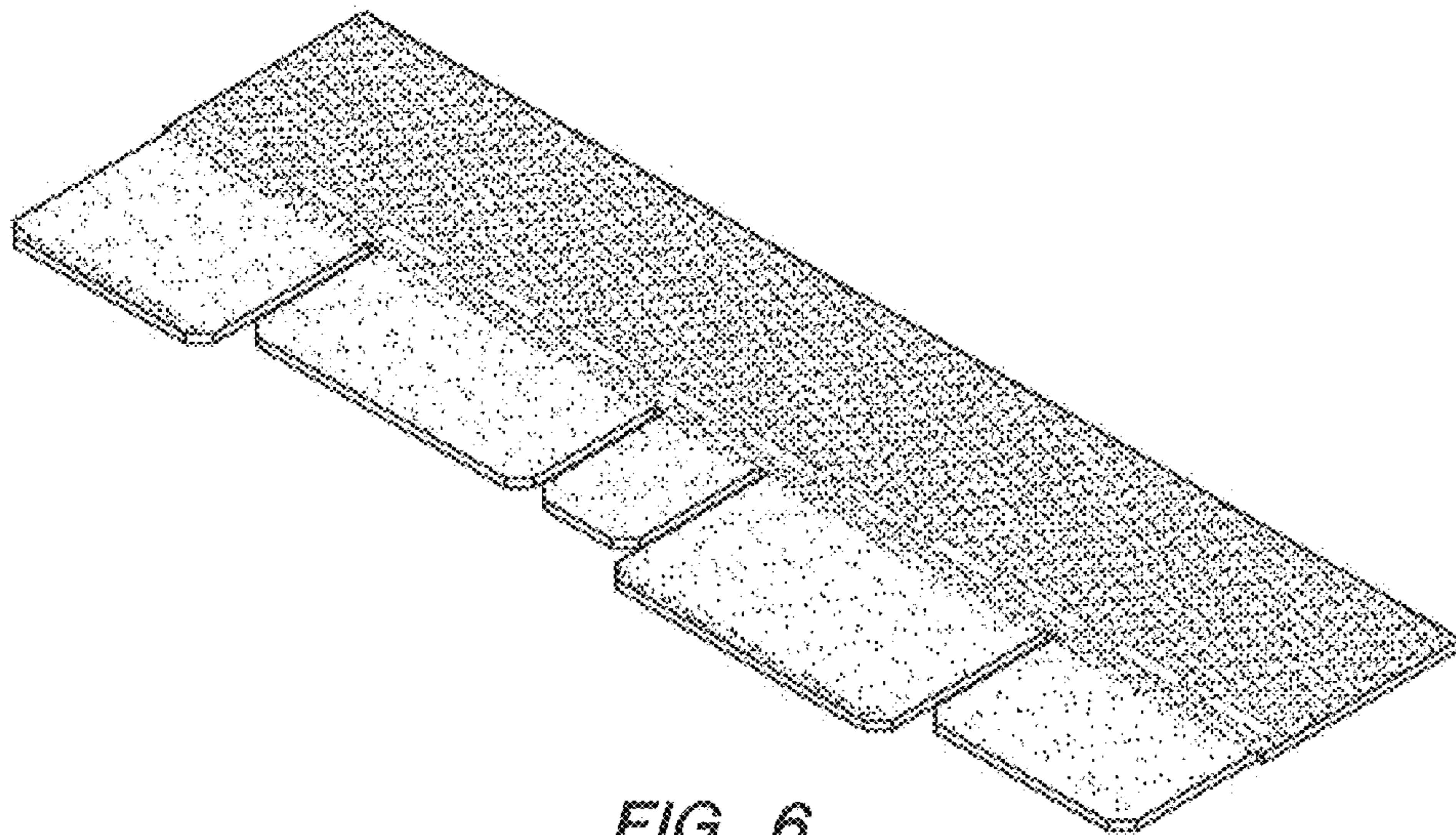


FIG. 6

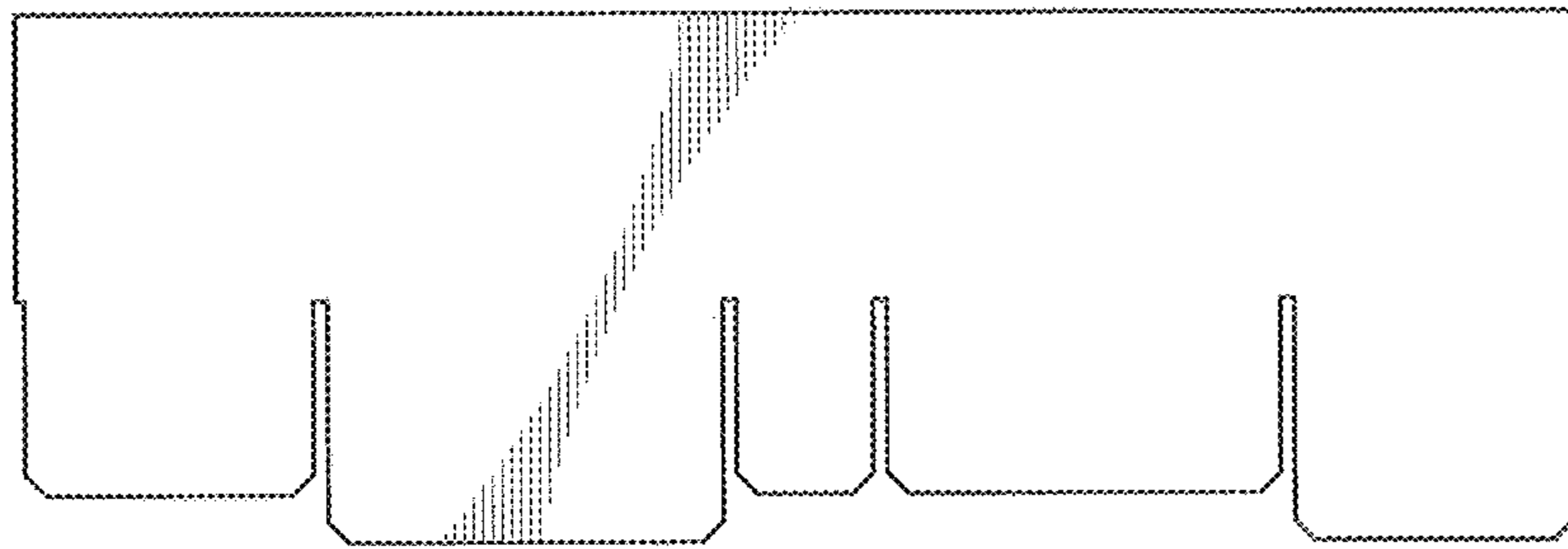


FIG. 7