



US00D799720S

(12) **United States Design Patent**
Tress et al.

(10) **Patent No.:** **US D799,720 S**
(45) **Date of Patent:** **** Oct. 10, 2017**

(54) **EXTRUSION**

(71) Applicant: **Rev-A-Shelf Company, LLC**,
Jeffersontown, KY (US)
(72) Inventors: **Christopher M Tress**, Louisville, KY
(US); **David Joseph Kleine-Kracht**,
Louisville, KY (US)
(73) Assignee: **Rev-A-Shelf Company, LLC**,
Louisville, KY (US)

D408,558 S * 4/1999 Levy D25/119
D408,932 S * 4/1999 Hart D25/122
D417,737 S * 12/1999 Stansfield D25/121
D464,783 S * 10/2002 Abbestam D25/119
D469,886 S * 2/2003 Barnett D25/119
D489,465 S * 5/2004 Allsopp D25/119
6,932,495 B2 8/2005 Sloan et al.
D543,491 S * 5/2007 Weekes D12/106
D553,261 S * 10/2007 Antonic D25/119
7,347,606 B1 * 3/2008 Patten F21V 15/013
362/152

(Continued)

(**) Term: **14 Years**

FOREIGN PATENT DOCUMENTS

(21) Appl. No.: **29/514,632**

DE 10 2011 014 331 A1 3/2013
DE 10 2011 011 105 A1 8/2013
PL 390773 3/2010

(22) Filed: **Jan. 14, 2015**

(51) **LOC (10) Cl.** **25-01**

(52) **U.S. Cl.**

USPC **D25/119**

(58) **Field of Classification Search**

USPC D25/35, 38.1, 39, 40, 41.1, 42, 43, 44,
D25/48.3, 48.4, 58, 60, 61, 119-129, 132,
D25/136, 138; 52/204.1, 204.5, 208, 210,
52/211-213, 287.1, 290, 292-297, 302.1,
52/416, 417, 419, 420, 459, 461, 464,
52/465, 468-471, 717.01-717.06,
52/718.01-718.04; D8/323, 349,
D8/354-355, 366, 367, 373-375, 380,
D8/381, 386, 400-403; D26/138, 142;
D20/42, 43, 44; D6/329, 394-396, 675.2,
D6/675.4, 675.5, 702, 709.21, 711.1, 712
CPC E06B 1/34; E06B 1/6053; E06B 1/6076;
E06B 1/16; E06B 2003/26312; E06B
2003/6217; E06B 2003/261; E06B
2003/26352; E06B 3/88; E06B 3/9636;
E06B 3/16; E06B 7/14; E06B 5/161
See application file for complete search history.

OTHER PUBLICATIONS

Kluś©, LED Extrusions, 2006, pp. 1-192.
Outwater Plastics Industries Inc. © & Architectural Products Cata-
log, dated 2013, pp. 647-742.

Primary Examiner — Cynthia Ramirez
Assistant Examiner — Llorellys Martinez-Rivera
(74) *Attorney, Agent, or Firm* — Brinks Gilson & Lione

(57) **CLAIM**

We claim the ornamental design for an extrusion, as shown
and described.

DESCRIPTION

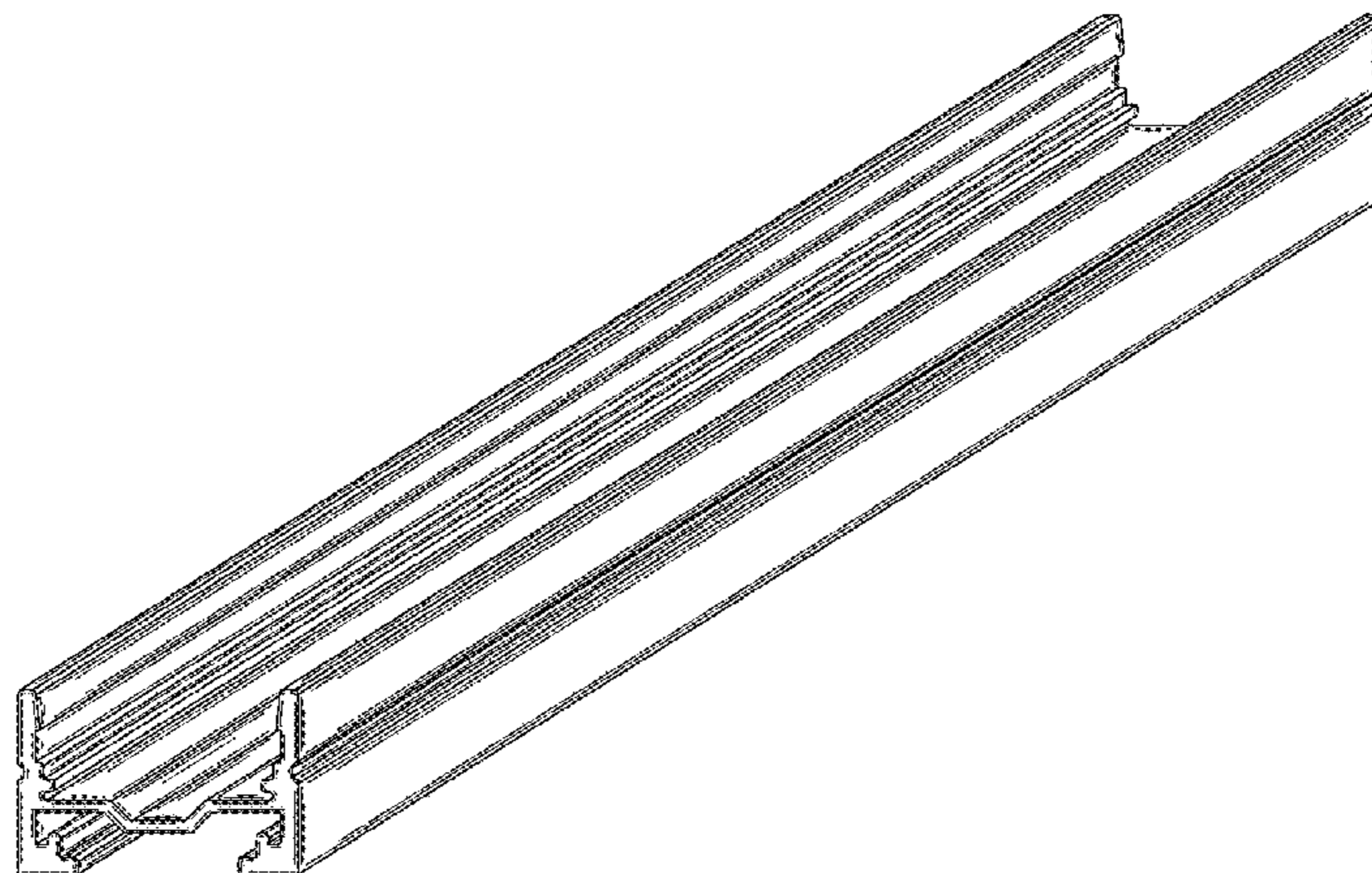
FIG. 1 is a front elevation view of an extrusion, the rear
elevation view being identical thereto;
FIG. 2 is atop plan view thereof;
FIG. 3 is a bottom plan view thereof;
FIG. 4 is a left side elevation view thereof, the right side
elevation view being identical thereto; and,
FIG. 5 is a top, front, and left perspective view thereof.

1 Claim, 5 Drawing Sheets

(56) **References Cited**

U.S. PATENT DOCUMENTS

D294,867 S * 3/1988 Meshulam D25/119
D325,640 S * 4/1992 Ballstadt D25/103



(56)

References Cited

U.S. PATENT DOCUMENTS

D574,518 S * 8/2008 Antonic D25/121
 D582,569 S * 12/2008 Moreau D25/119
 D621,542 S 8/2010 Kluś
 7,766,502 B2 8/2010 Tress
 D624,210 S * 9/2010 Antonic D25/121
 D625,463 S 10/2010 Kluś
 D625,844 S * 10/2010 Antonic D25/121
 7,926,985 B2 * 4/2011 Teng F21V 5/00
 362/217.12
 7,954,973 B1 6/2011 Holland et al.
 7,954,979 B2 6/2011 Sommers et al.
 D649,686 S * 11/2011 Trzesniowski D26/138
 D662,255 S 6/2012 Kluś
 D662,256 S 6/2012 Kluś
 D665,516 S * 8/2012 Bergmann D25/122
 8,262,250 B2 9/2012 Li et al.
 8,267,540 B2 9/2012 Kluś
 8,297,788 B2 10/2012 Bishop

D674,220 S * 1/2013 Kim D6/702
 D693,051 S 11/2013 Kluś
 D693,052 S 11/2013 Kluś
 D695,953 S 12/2013 Kluś
 D695,955 S 12/2013 Kluś
 D698,075 S 1/2014 Kluś
 D698,076 S 1/2014 Kluś
 8,628,212 B2 1/2014 Kluś
 D702,875 S 4/2014 Kluś
 D705,982 S 5/2014 Kluś
 D705,983 S 5/2014 Kluś
 D705,984 S 5/2014 Kluś
 8,714,772 B1 5/2014 Levante et al.
 D731,110 S * 6/2015 Poppenheimer D26/120
 9,207,389 B2 12/2015 Moon et al.
 2005/0270774 A1 12/2005 Pan
 2009/0073692 A1 3/2009 Berger et al.
 2011/0075413 A1 3/2011 Smith et al.
 2011/0110077 A1 5/2011 Kluś
 2011/0164419 A1 7/2011 Kluś
 2014/0313774 A1 10/2014 Myers et al.

* cited by examiner

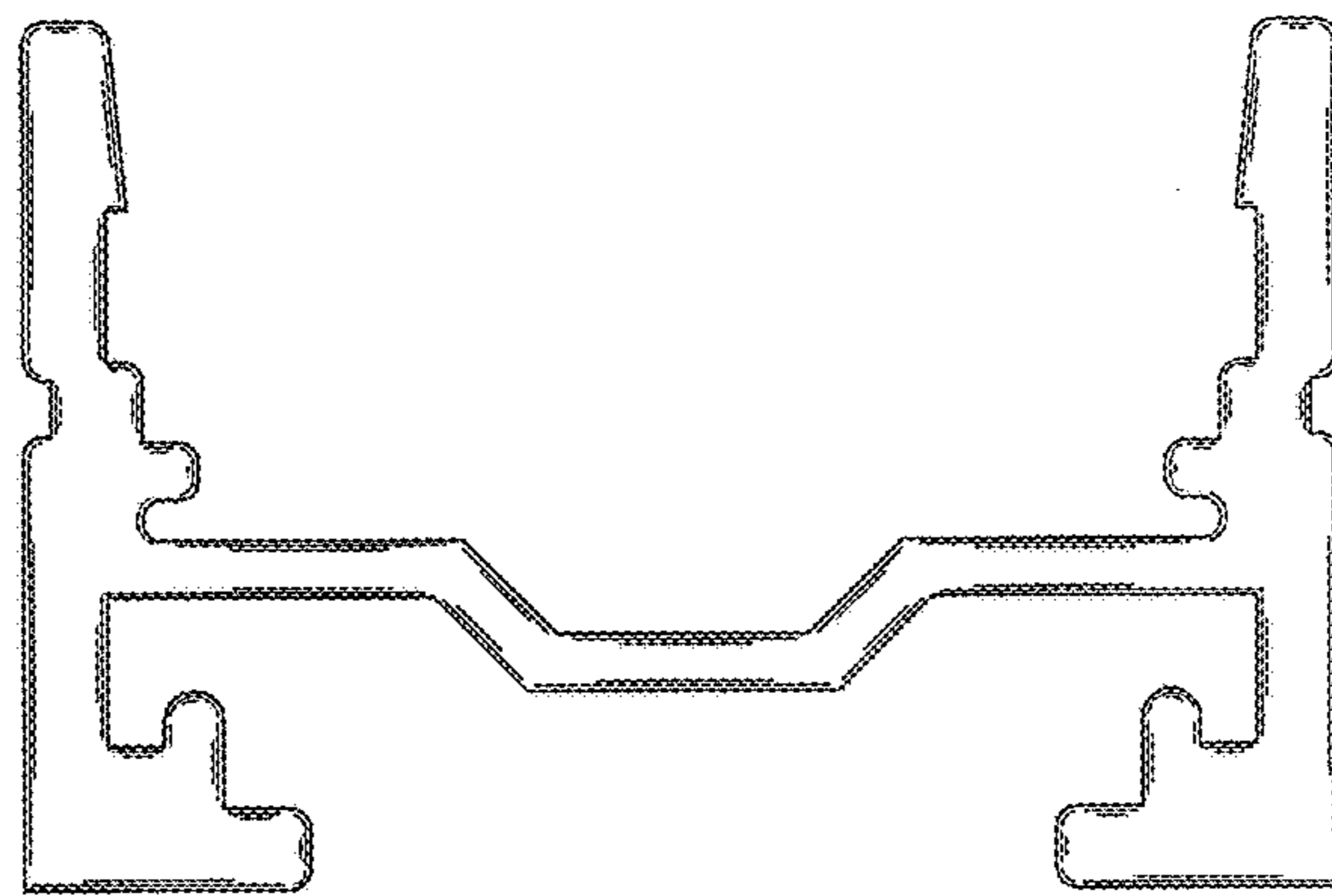


FIG. 1

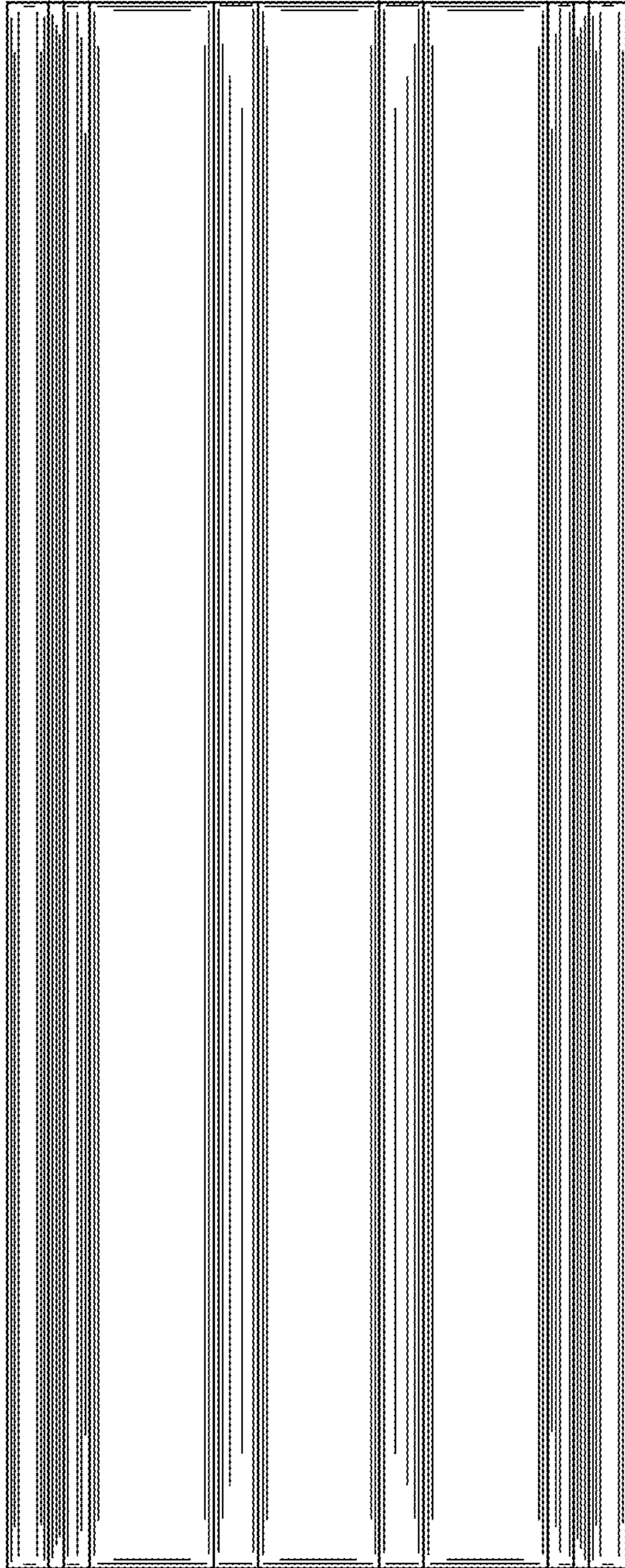


FIG. 2

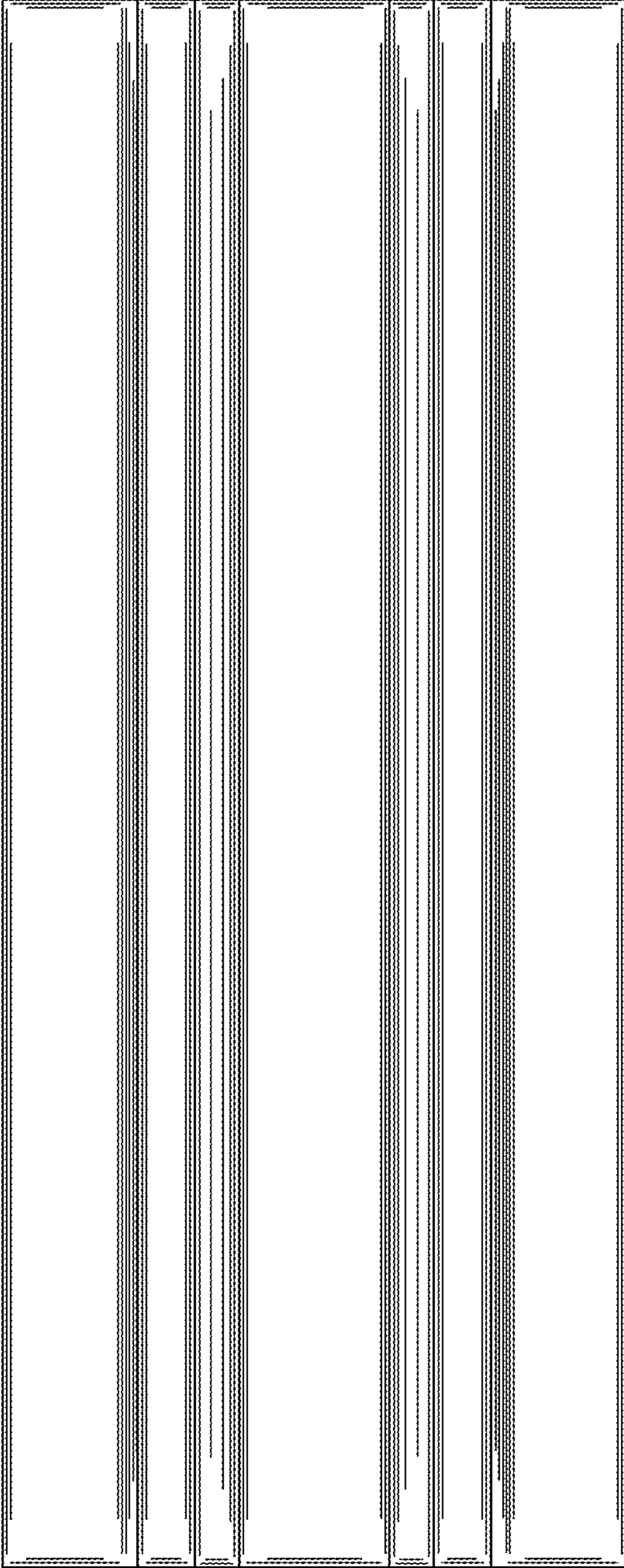


FIG. 3

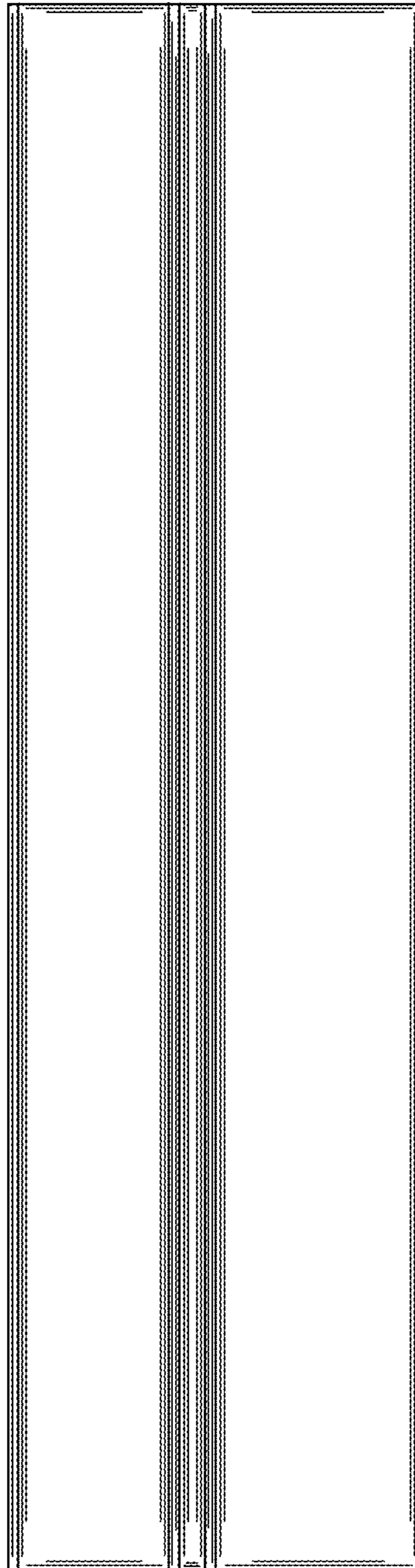


FIG. 4

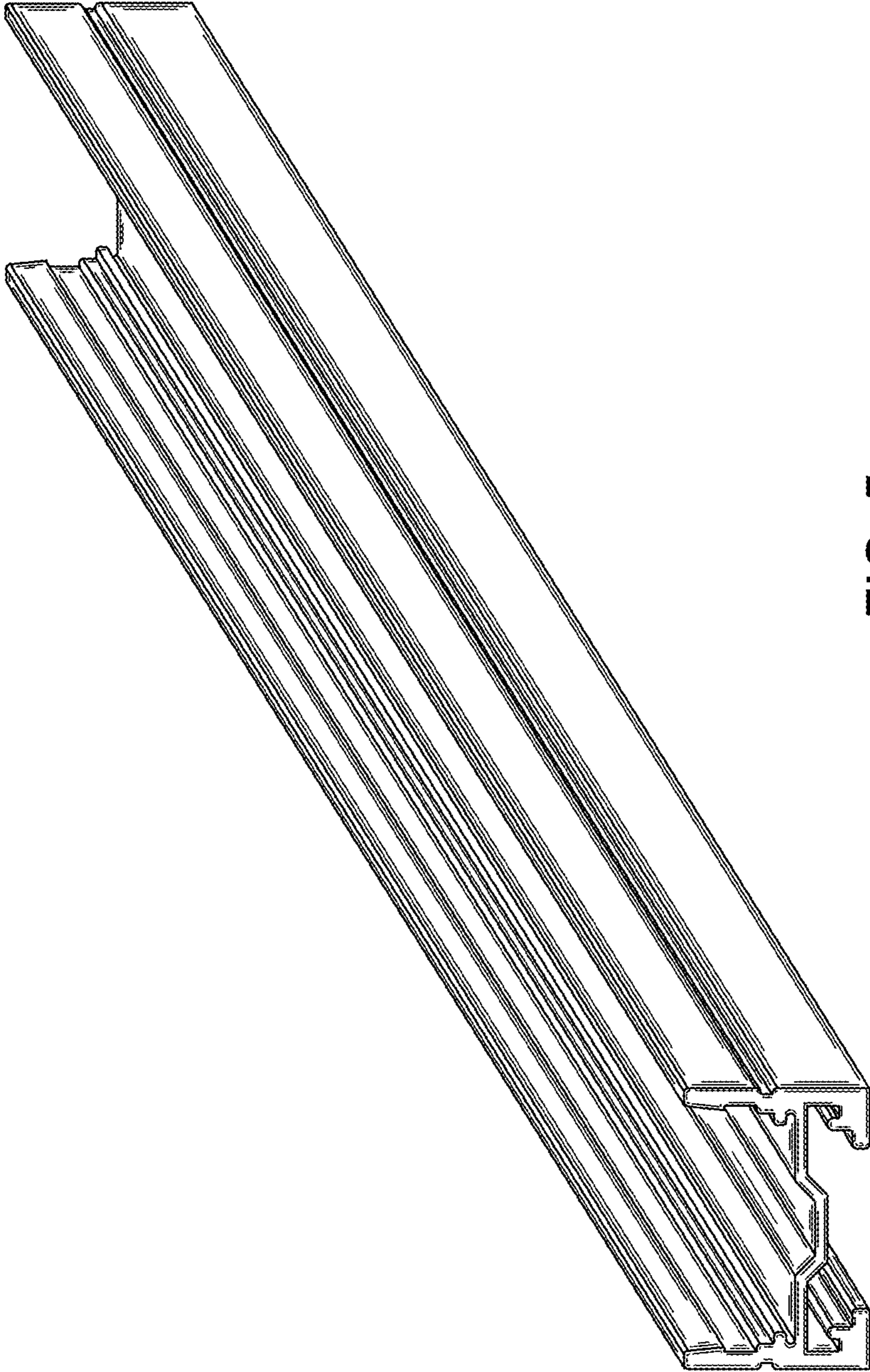


FIG. 5