



US00D799717S

(12) **United States Design Patent** (10) **Patent No.:** **US D799,717 S**
Böhm et al. (45) **Date of Patent:** **** Oct. 10, 2017**

(54) **BOTTLE TOP DISPENSER FOR LABORATORY USE**

D413,678 S * 9/1999 Anderson D24/232
D498,646 S * 11/2004 Drennow D7/589
D613,558 S * 4/2010 Gold D7/589
D616,707 S * 6/2010 Gold D7/589

(Continued)

(71) Applicant: **BRAND GMBH + CO KG**, Wertheim (DE)

(72) Inventors: **Dieter Böhm**, Wertheim (DE); **Ursula Hummel**, Aschaffenburg (DE)

(73) Assignee: **BRAND GMBH + CO KG**, Wertheim (DE)

(**) Term: **15 Years**

(21) Appl. No.: **29/533,783**

(22) Filed: **Jul. 22, 2015**

(30) **Foreign Application Priority Data**

Feb. 11, 2015 (EM) 002 631 549-0066

(51) **LOC (10) Cl.** **24-99**

(52) **U.S. Cl.**
USPC **D24/232**

(58) **Field of Classification Search**

USPC D24/107, 108, 110.6, 111-114, 117, 118,
D24/129, 130, 132-134, 135, 137, 138,
D24/222, 127, 140, 141, 143, 144, 148,
D24/160, 79, 216, 152-154, 164, 165,
D24/176, 170, 232; D14/394, 395, 397,
D14/333; D13/162, 163, 171; D10/46,
D10/49, 62; D18/7, 12.2, 41; D7/313;
D9/447

CPC . B01L 2300/028; B01L 3/0206; B01L 3/0217
See application file for complete search history.

(56) **References Cited**

U.S. PATENT DOCUMENTS

D198,789 S * 8/1964 Trupp D24/113
5,862,958 A * 1/1999 Edwards B01L 3/0206
222/309

FOREIGN PATENT DOCUMENTS

DE 197 02 773 A1 7/1998
WO 2010/122568 A1 10/2010
WO 2013/160225 A1 10/2013

OTHER PUBLICATIONS

Dispensette®—Für Ihre Anwendung Der Richtige Flaschenaufsatz-Dispenser, Jul. 2013.

(Continued)

Primary Examiner — Robert M Spear

Assistant Examiner — Eliza Bennett-Hattan

(74) *Attorney, Agent, or Firm* — David S. Safran

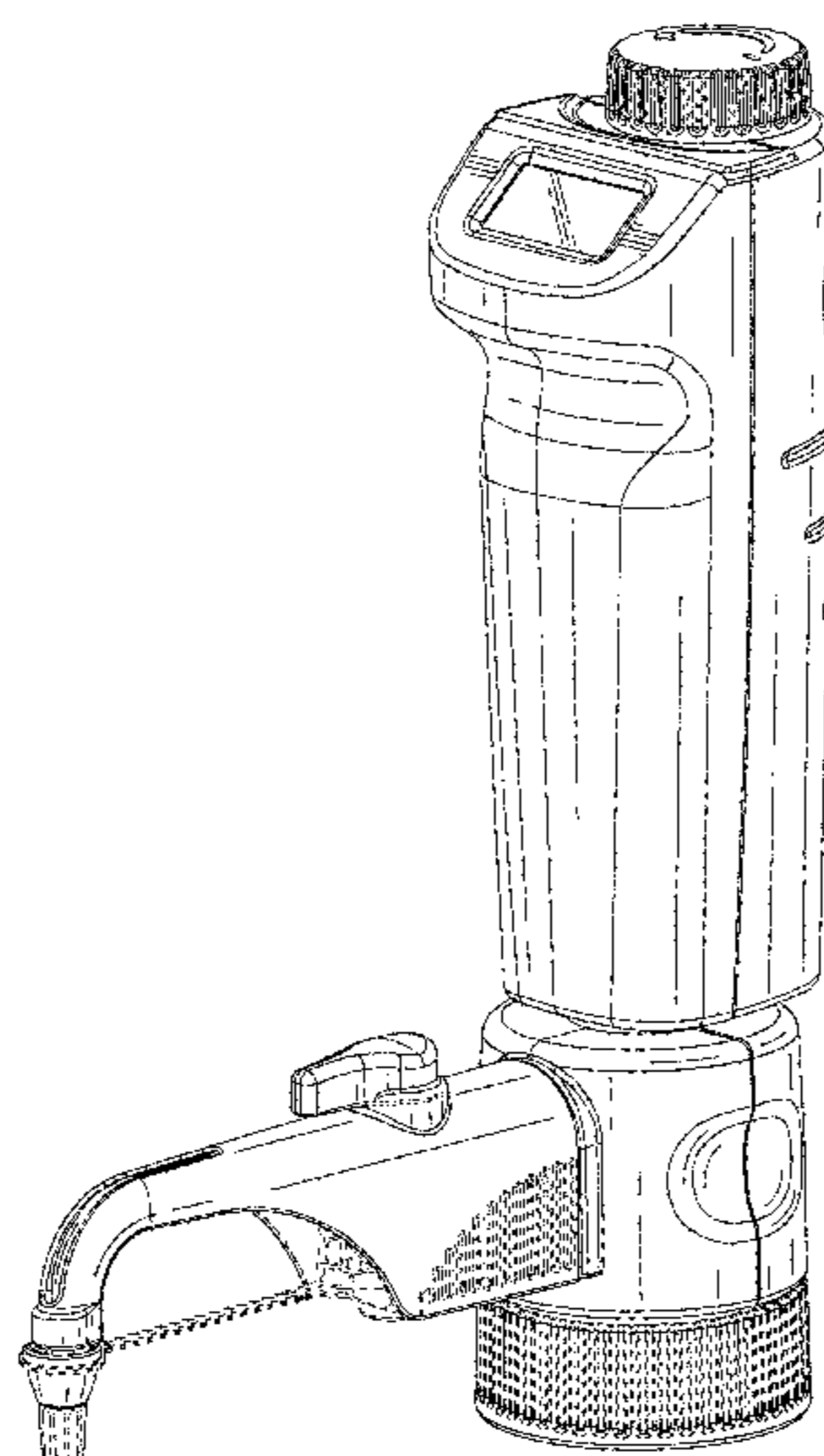
(57) **CLAIM**

The ornamental design for a bottle top dispenser for laboratory use, as shown.

DESCRIPTION

FIG. 1 is a perspective view from the front right of a bottle top dispenser for laboratory use according to our design; FIG. 2 is a perspective view from the rear left thereof; FIG. 3 is a left side view thereof; FIG. 4 is a right side view thereof; FIG. 5 is a front view thereof; FIG. 6 is a rear view thereof; FIG. 7 is a top elevation view thereof; and, FIG. 8 is a bottom plan view thereof. The broken lines in the drawing depict environmental subject matter only and form no part of the claimed design.

1 Claim, 6 Drawing Sheets



(56)

References Cited

U.S. PATENT DOCUMENTS

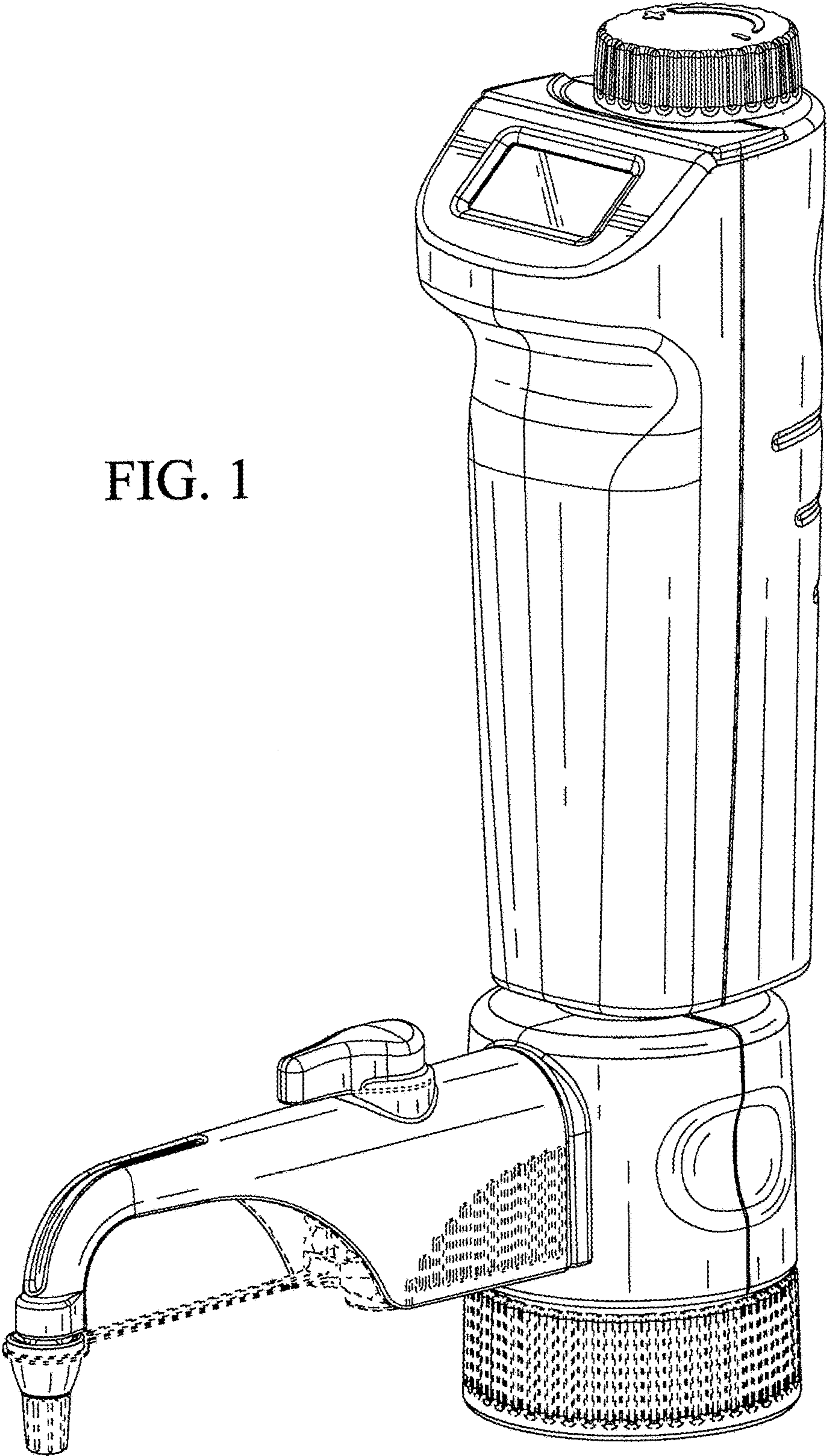
2010/0021349 A1* 1/2010 Boehm B01L 3/0206
422/400
2012/0183453 A1* 7/2012 Boehm B01L 3/0206
422/501
2015/0114997 A1* 4/2015 Uldry B05B 11/3007
222/309
2016/0214127 A1* 7/2016 Bohm B05B 11/3007
2016/0214846 A1* 7/2016 Hochholzer B67C 3/26
2016/0214847 A1 7/2016 Böhm et al.
2016/0214848 A1 7/2016 Böhm et al.
2016/0264391 A1 9/2016 Hochholzer et al.

OTHER PUBLICATIONS

Vitlab® Dispenserfamilie:Genius, Simplex Und Ta, Jul. 2014.
Varispenser®/Varispenser® Plus, Bedienungsanleitung, May
2004.

* cited by examiner

FIG. 1



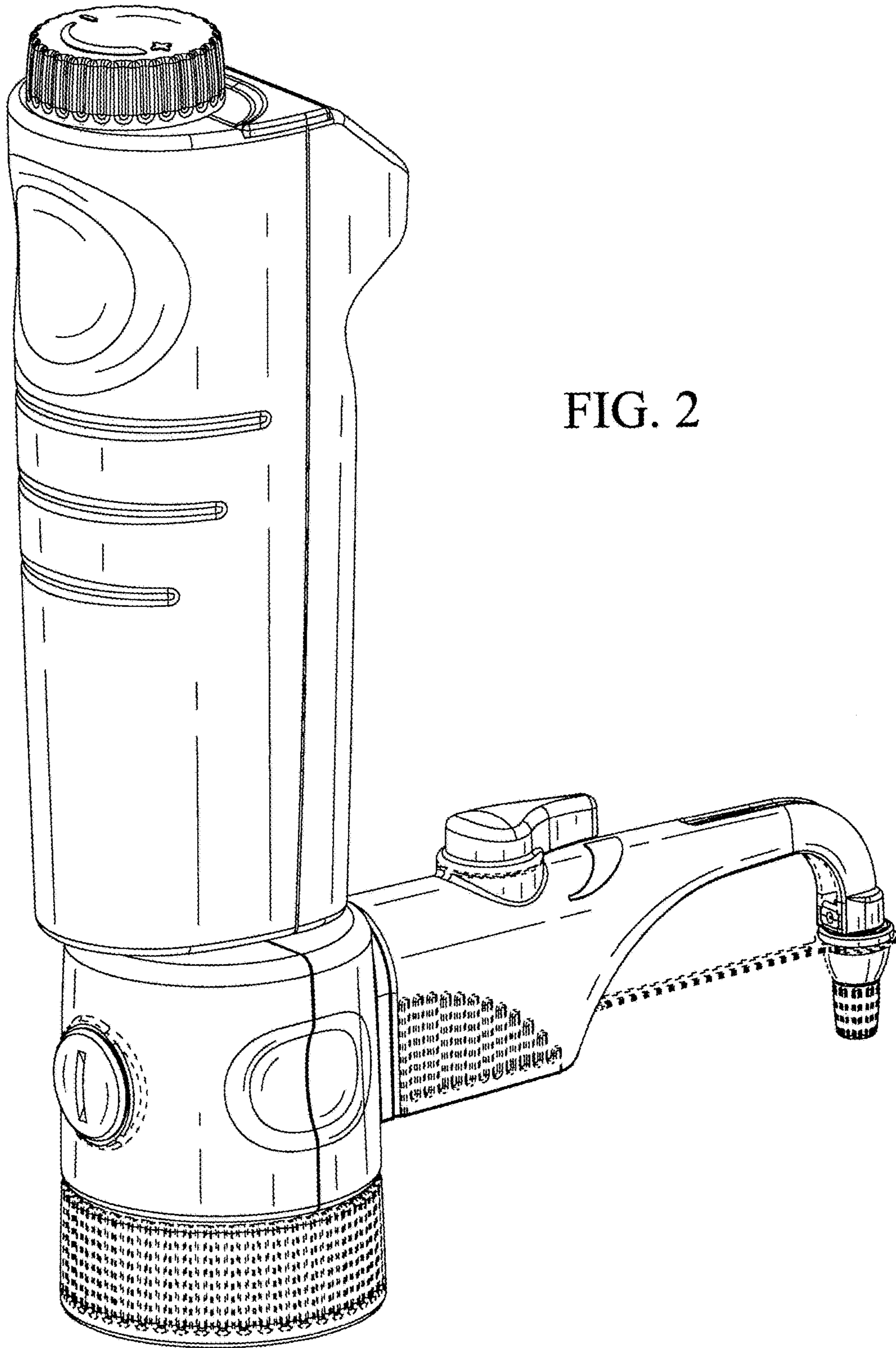
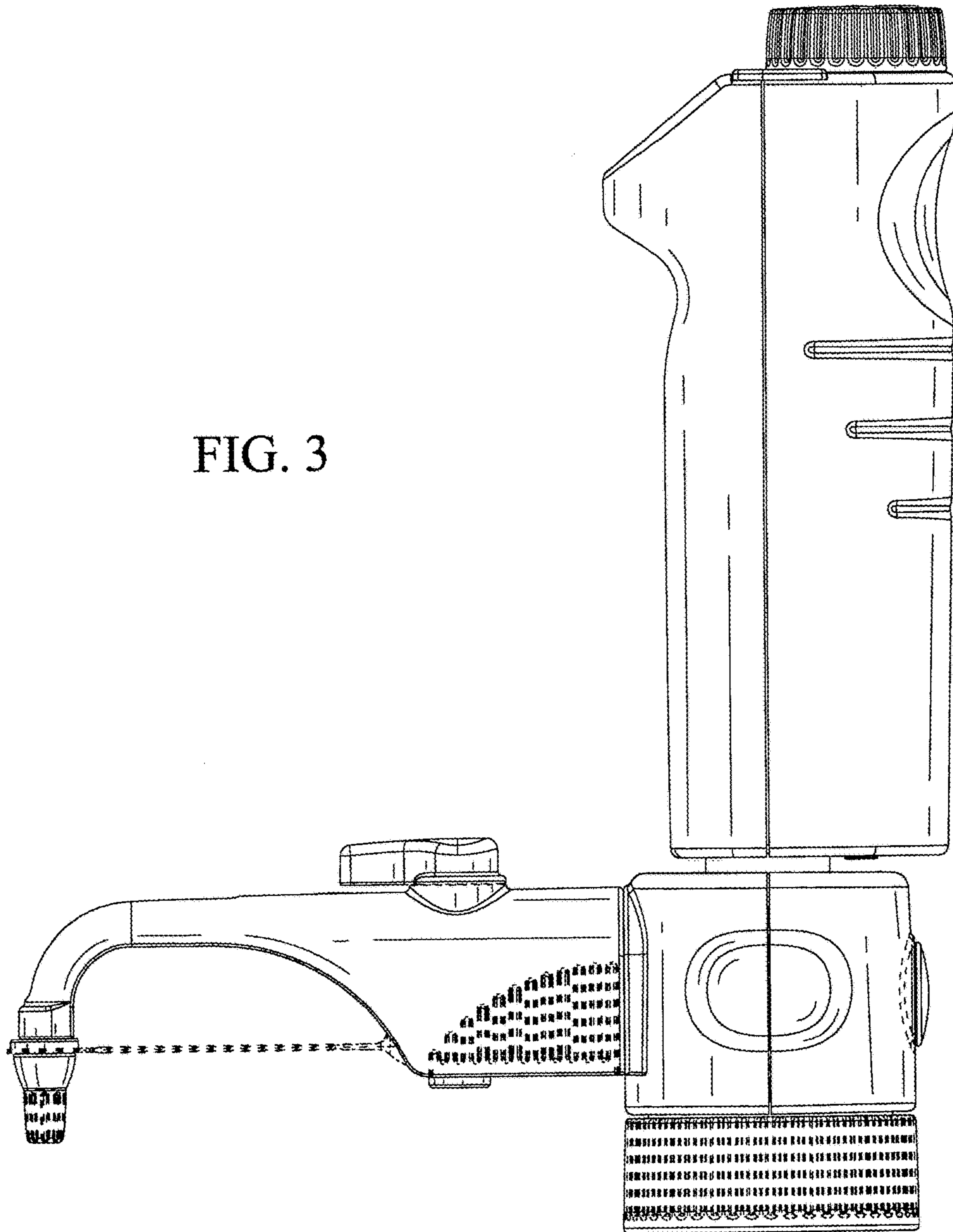
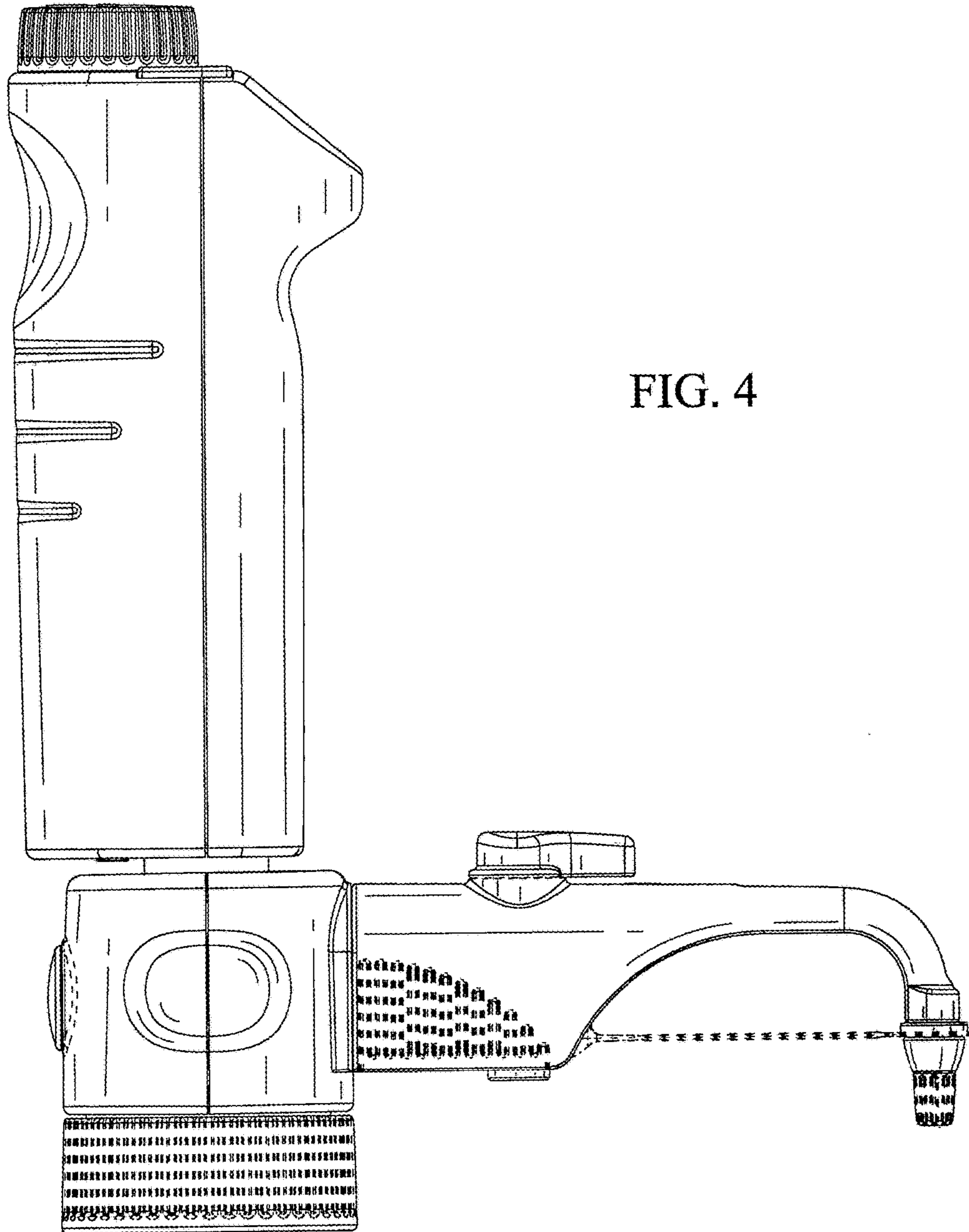


FIG. 3





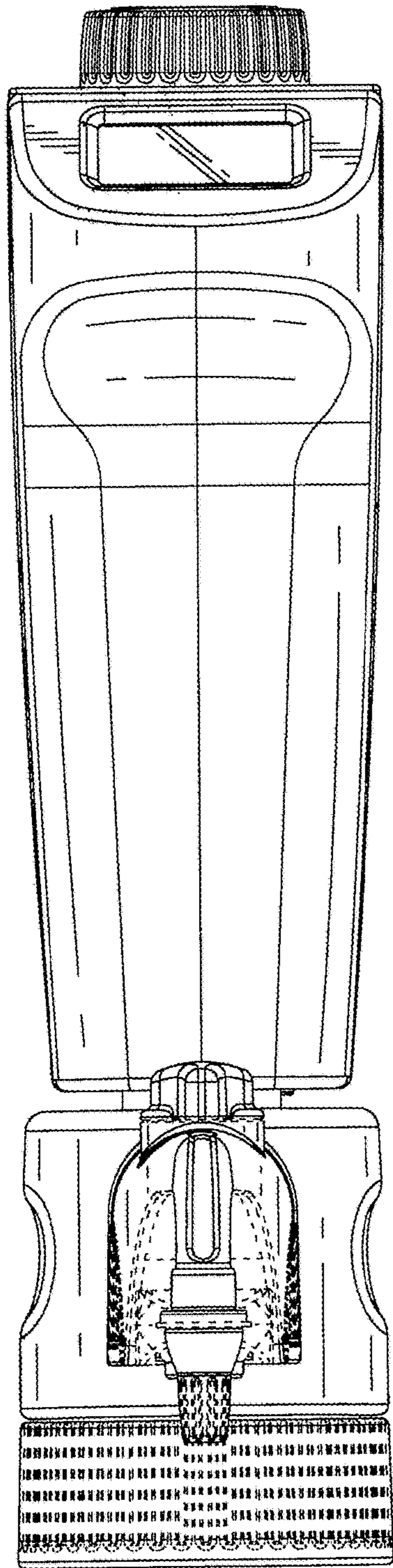


FIG. 5

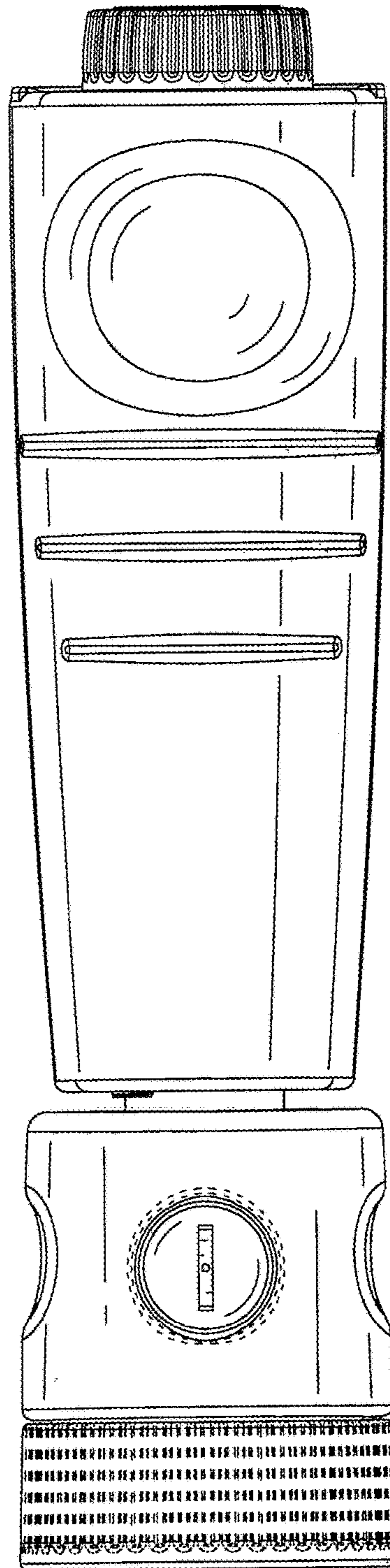


FIG. 6

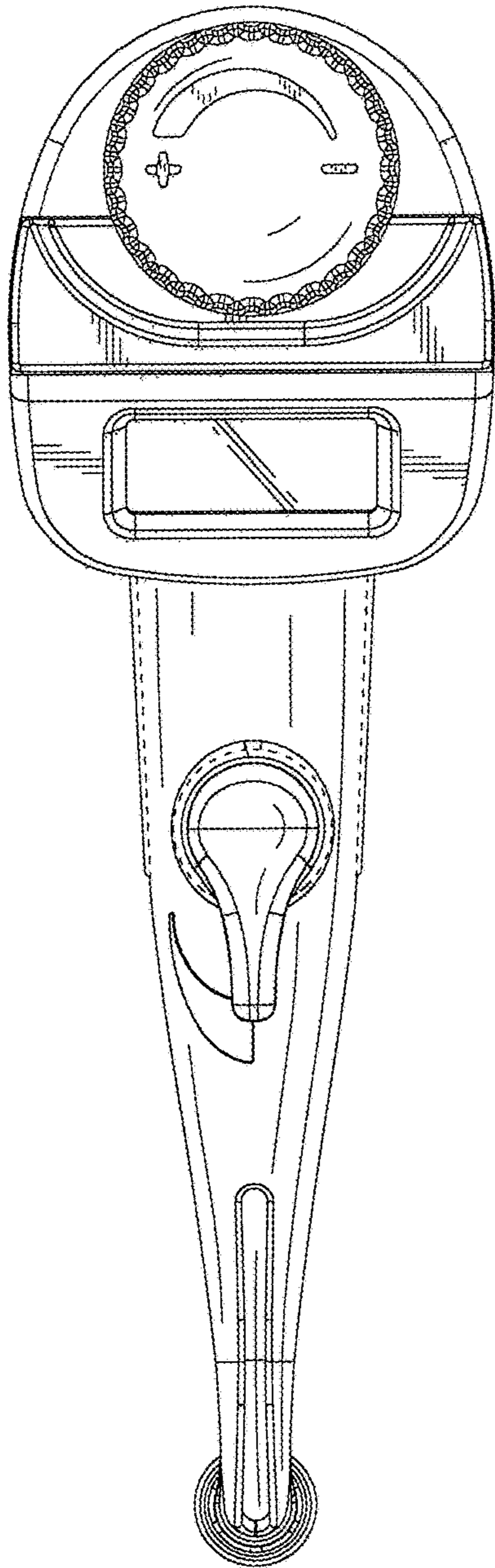


FIG. 7

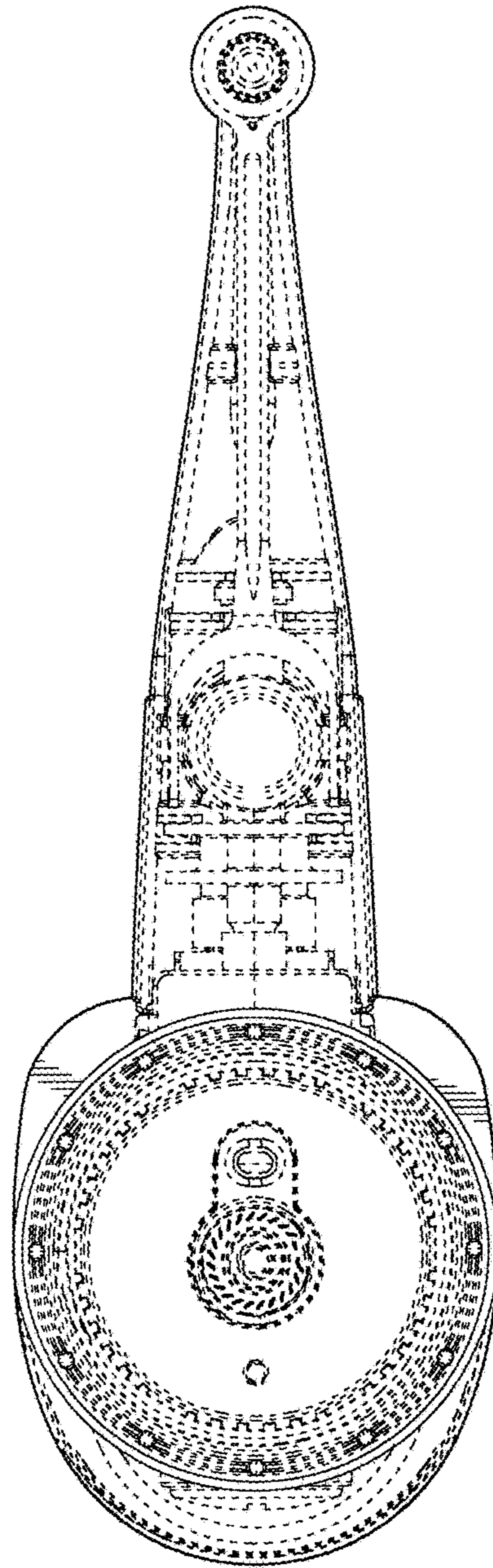


FIG. 8