



US00D799714S

(12) **United States Design Patent** (10) **Patent No.:** **US D799,714 S**  
**Killen et al.** (45) **Date of Patent:** **\*\* Oct. 10, 2017**

(54) **CENTRIFUGAL FAN HOUSING**  
(71) Applicant: **Deere & Company**, Moline, IL (US)  
(72) Inventors: **Dale H. Killen**, Port Byron, IL (US);  
**Ling Z. Zeng**, Lake In The Hills, IL (US); **Robert L. Day**, Port Byron, IL (US); **Peter R. Nedved**, Coal Valley, IL (US); **Garrett M. Stroot**, Colona, IL (US); **Randall A. Maro**, Davenport, IA (US)

(73) Assignee: **DEERE & COMPANY**, Moline, IL (US)

(\*\*) Term: **15 Years**

(21) Appl. No.: **29/533,672**

(22) Filed: **Jul. 21, 2015**

(51) **LOC (10) Cl.** ..... **24-01**

(52) **U.S. Cl.**  
USPC ..... **D24/219**

(58) **Field of Classification Search**  
USPC ..... D24/216–219, 186, 231, 232; D10/81;  
D23/370–371, 411–413  
CPC ..... G01N 9/30; G01N 15/042; G01N 33/491;  
B04B 7/02; B04B 15/02  
See application file for complete search history.

(56) **References Cited**

U.S. PATENT DOCUMENTS

D288,124 S \* 2/1987 Brickus ..... D24/219  
D343,904 S \* 2/1994 Silver ..... D24/219  
D441,873 S \* 5/2001 Kohler ..... D24/219  
D539,408 S \* 3/2007 Wu ..... D23/370  
D594,955 S \* 6/2009 Noda ..... D23/370

D625,402 S \* 10/2010 Yen ..... D23/370  
D629,095 S \* 12/2010 Liu ..... D23/411  
D663,411 S \* 7/2012 Naya ..... D23/411  
D665,900 S \* 8/2012 Yen ..... D23/411  
D681,800 S \* 5/2013 Hu ..... D23/413  
D775,720 S \* 1/2017 Liu ..... D23/370  
2005/0186070 A1\* 8/2005 Zeng ..... F04D 29/544  
415/211.2  
2005/0191174 A1\* 9/2005 Zeng ..... F04D 17/025  
415/206

\* cited by examiner

*Primary Examiner* — Anhdao Doan

(57) **CLAIM**

The ornamental design for a centrifugal fan housing, as shown and described.

**DESCRIPTION**

FIG. 1 is a top front perspective view of a centrifugal fan housing.

FIG. 2 is a front view of the centrifugal fan housing, design of FIG. 1.

FIG. 3 is a rear view of the centrifugal fan housing, design of FIG. 1.

FIG. 4 is a top view of the centrifugal fan housing, design of FIG. 1.

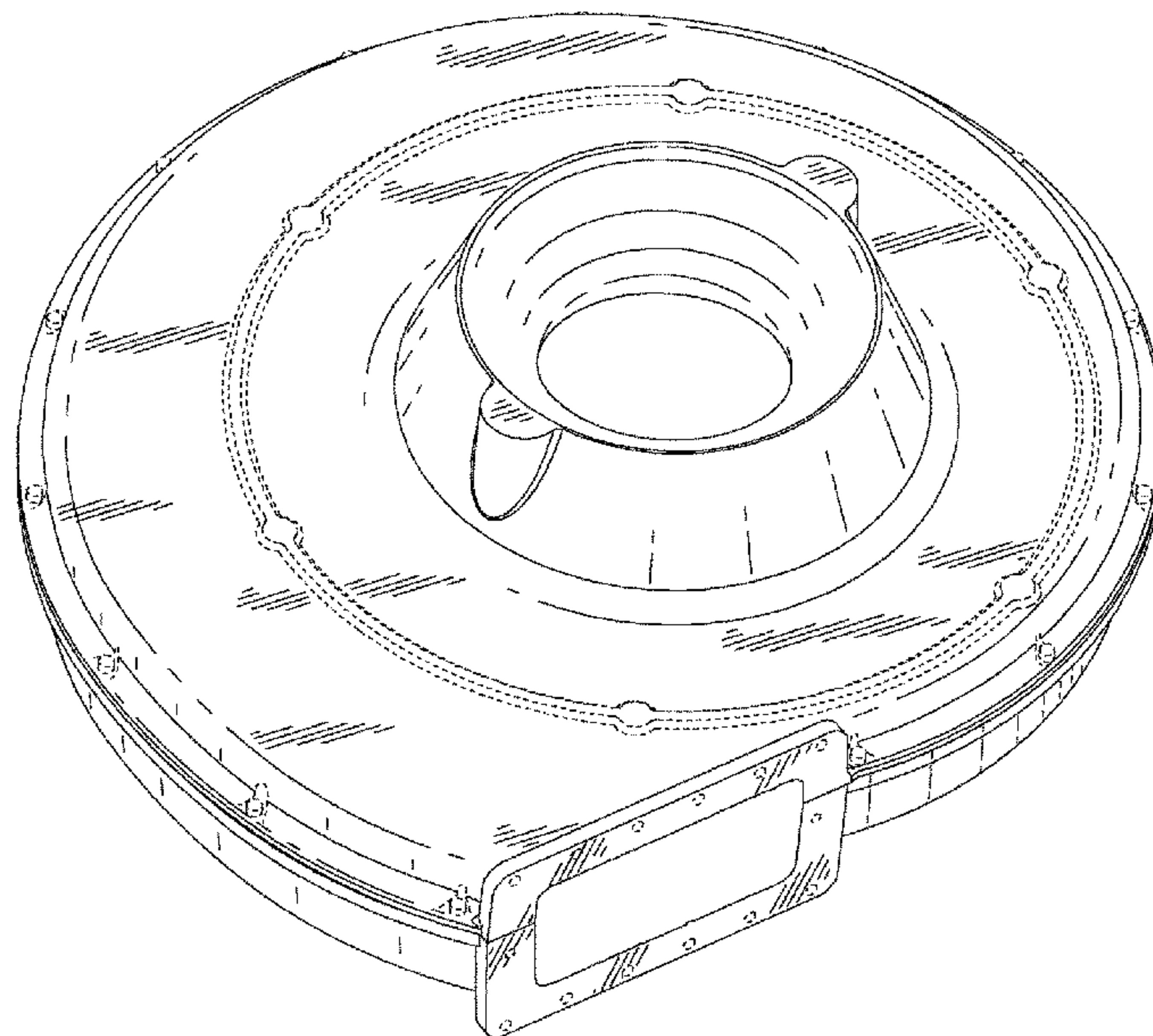
FIG. 5 is a bottom view of the centrifugal fan housing, design of FIG. 1.

FIG. 6 is a left side view of the centrifugal fan housing, design of FIG. 1; and,

FIG. 7 is a right side view of the centrifugal fan housing, design of FIG. 1.

The broken lines immediately adjacent the shaded areas represent the bounds of the claim, while all other broken lines are directed to environment and are for illustrative purposes only; the broken lines form no part of the claimed design.

**1 Claim, 7 Drawing Sheets**



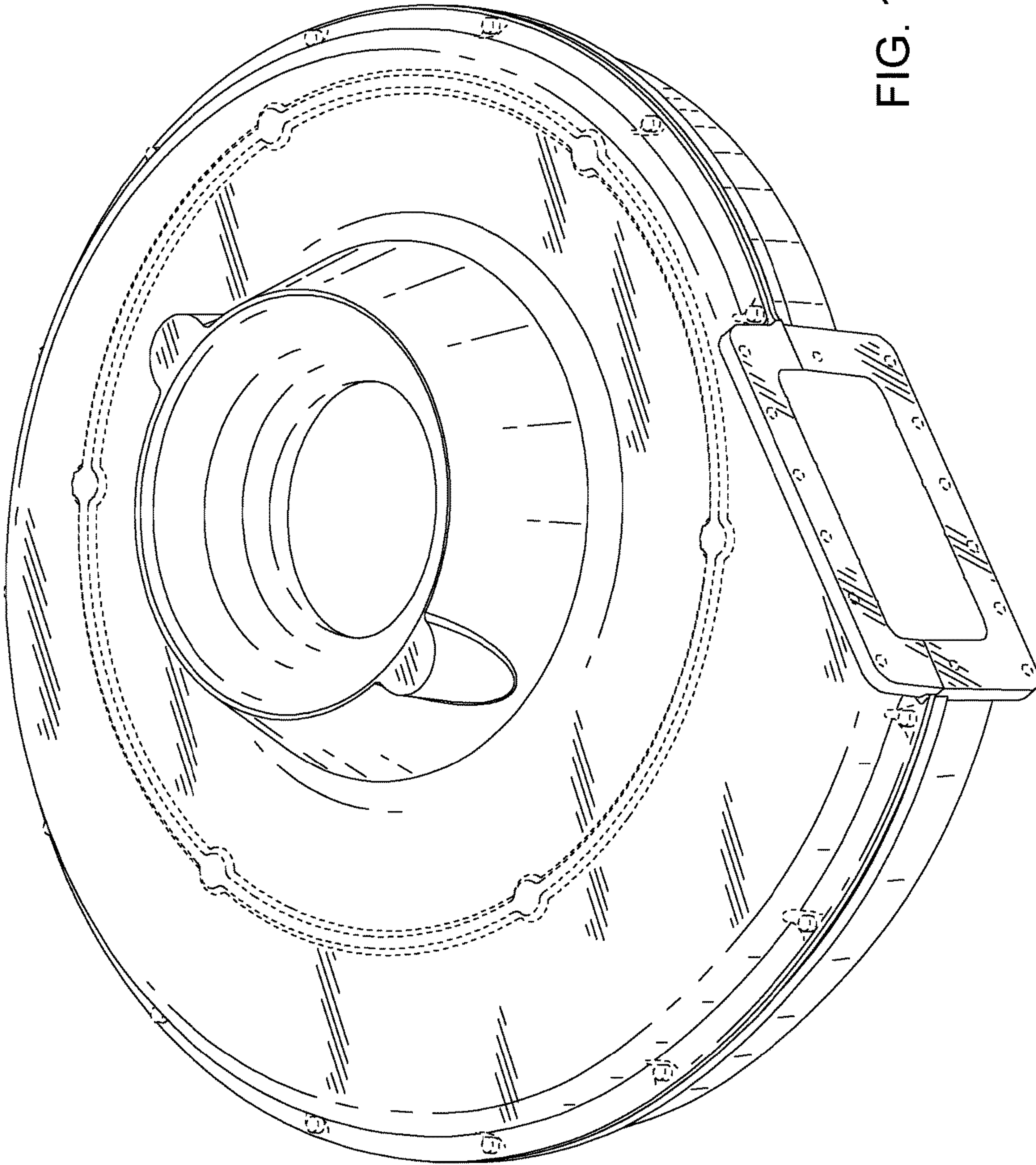


FIG. 1

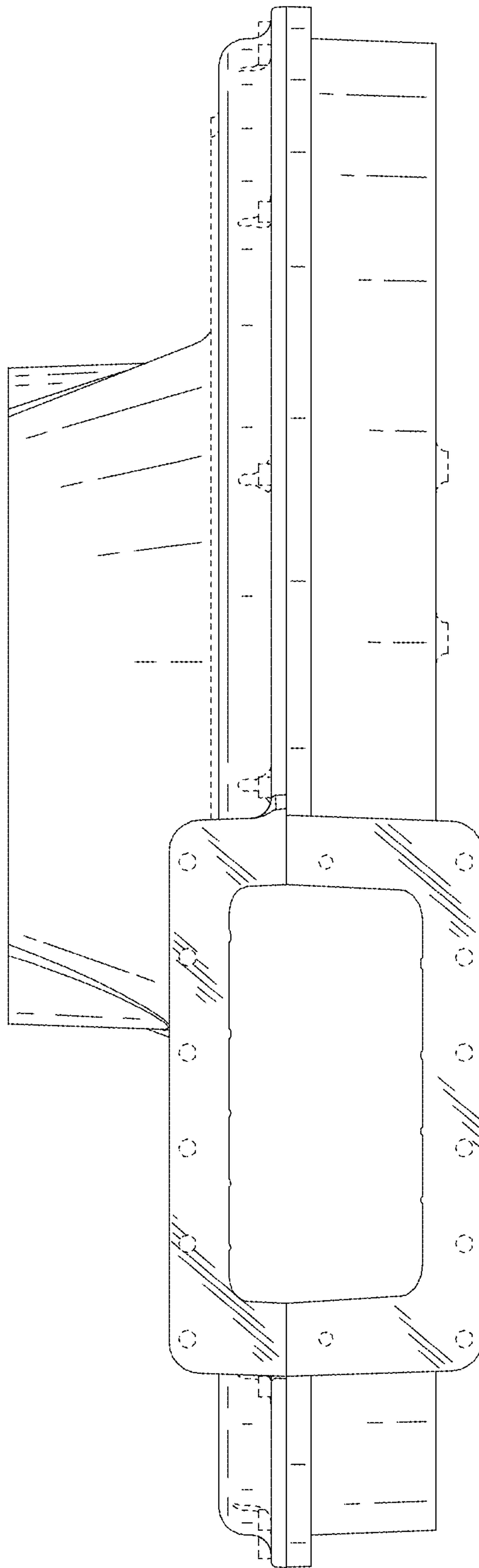


FIG. 2

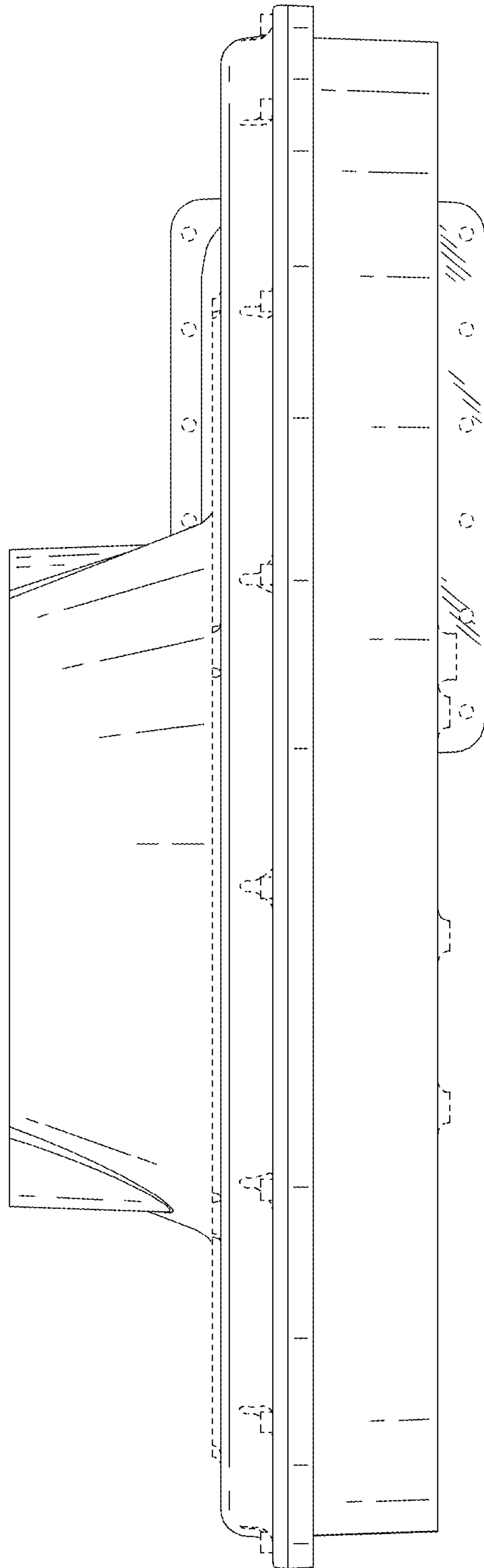


FIG. 3



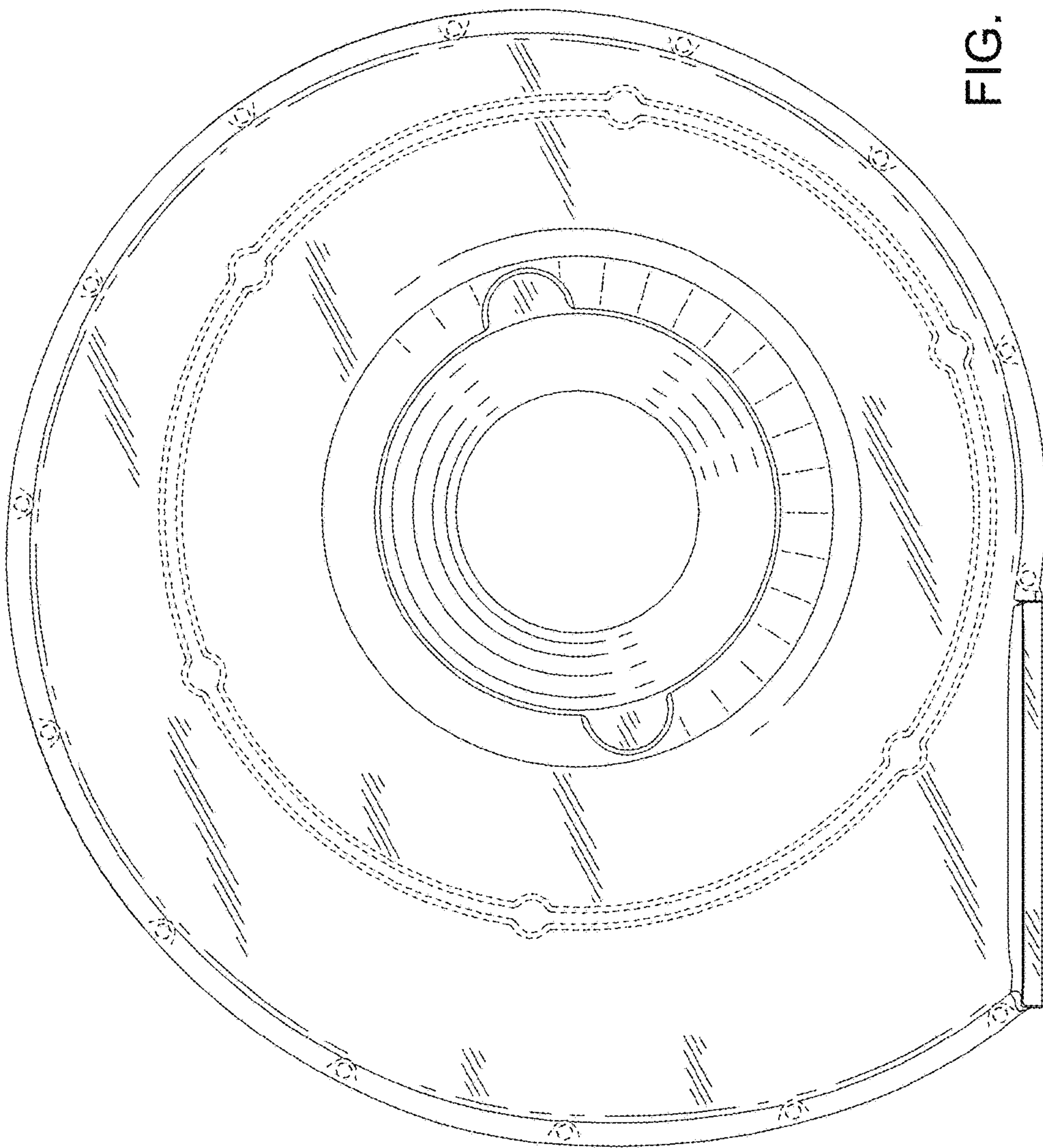


FIG. 4

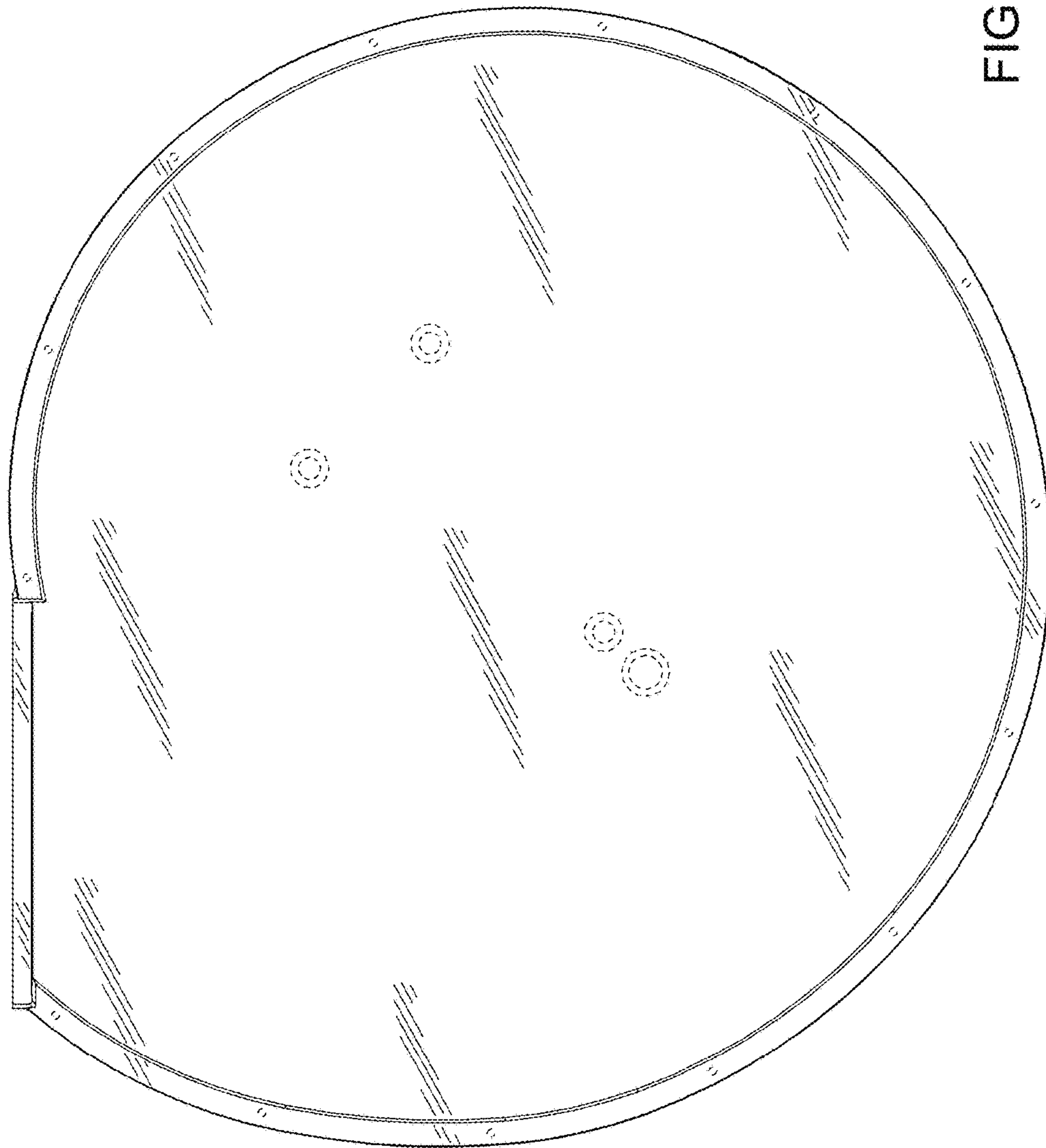


FIG. 5

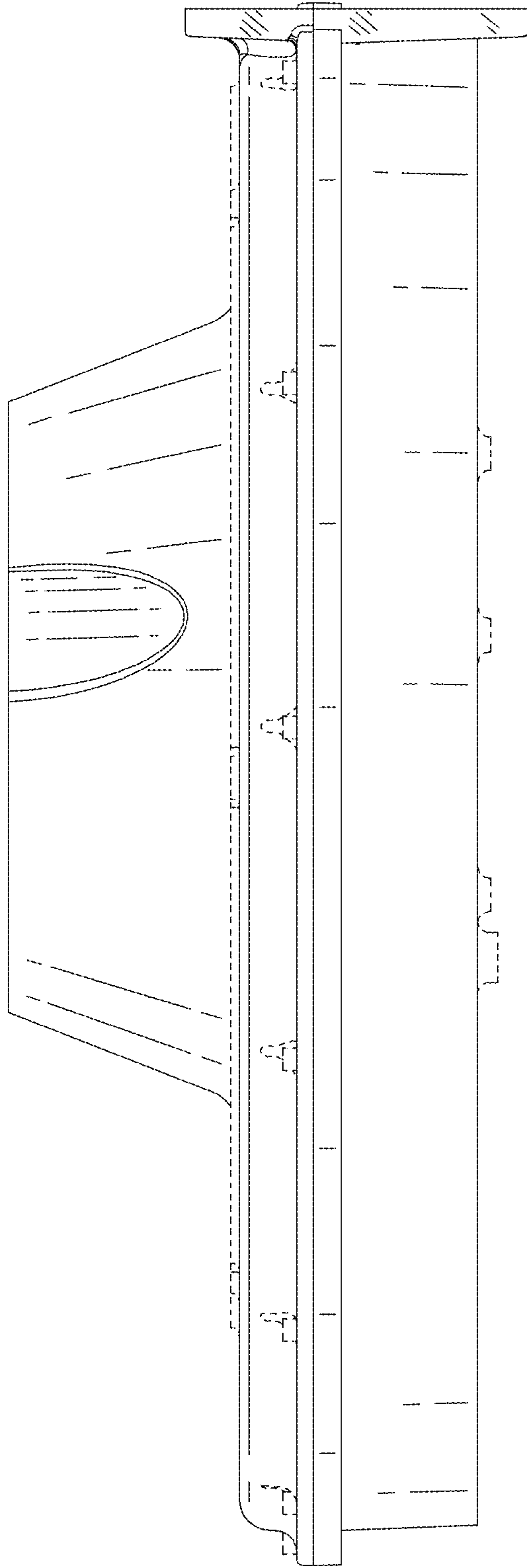


FIG. 6

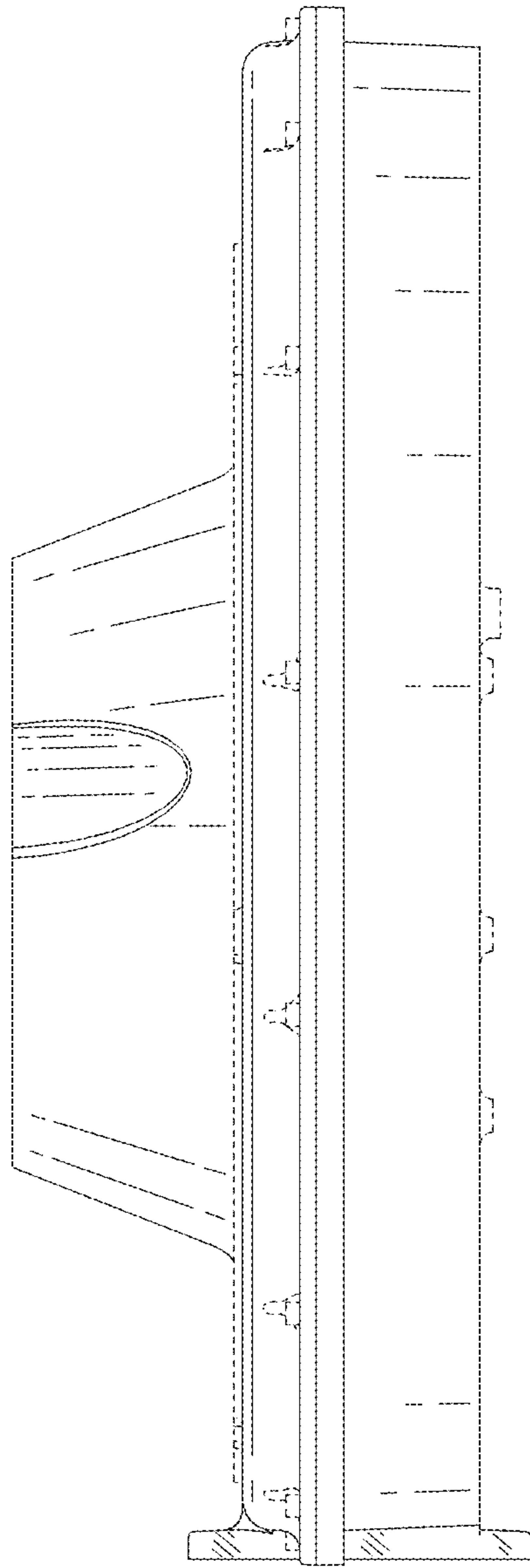


FIG. 7