



US00D799713S

(12) **United States Design Patent** (10) **Patent No.:** **US D799,713 S**  
**Murphy et al.** (45) **Date of Patent:** **\*\* Oct. 10, 2017**

(54) **CLEANING STATION ASSEMBLY**

(56) **References Cited**

(71) Applicant: **Canon U.S. Life Sciences, Inc.**,  
 Rockville, MD (US)

(72) Inventors: **Brian Murphy**, Baltimore, MD (US);  
**Alex Flamm**, Baltimore, MD (US);  
**Eric Schneider**, Catonsville, MD (US);  
**Chris Felice**, Newport News, VA (US);  
**Kazuhiko Hasegawa**, Newport News,  
 VA (US); **Ronald Kurz**, Newport  
 News, VA (US); **Scott Sundberg**,  
 Rockville, MD (US); **Ralph McCann**,  
 Newport News, VA (US); **Jason**  
**Clemons**, Newport News, VA (US)

U.S. PATENT DOCUMENTS

D256,615	S	*	8/1980	Thomas	.....	D24/218
D437,060	S	*	1/2001	Mayer	.....	D24/217
D593,207	S	*	5/2009	Ayliffe	.....	D24/229
D668,348	S	*	10/2012	Murphy	.....	D24/217
D720,863	S	*	1/2015	Perlman	.....	D24/217
2007/0193605	A1	*	8/2007	Kuroshima	.....	A61L 2/24 134/18
2011/0271551	A1	*	11/2011	Pearce	.....	A61L 2/26 34/492

\* cited by examiner

*Primary Examiner* — Anhdao Doan

(74) *Attorney, Agent, or Firm* — Rothwell, Figg, Ernst & Manbeck, P.C.

(73) Assignee: **Canon U.S. Life Sciences, Inc.**,  
 Rockville, MD (US)

(57) **CLAIM**

(\*\*) Term: **14 Years**

The ornamental design for cleaning station assembly, as shown and described.

(21) Appl. No.: **29/509,087**

**DESCRIPTION**

(22) Filed: **Nov. 13, 2014**

(51) **LOC (10) Cl.** ..... **24-01**

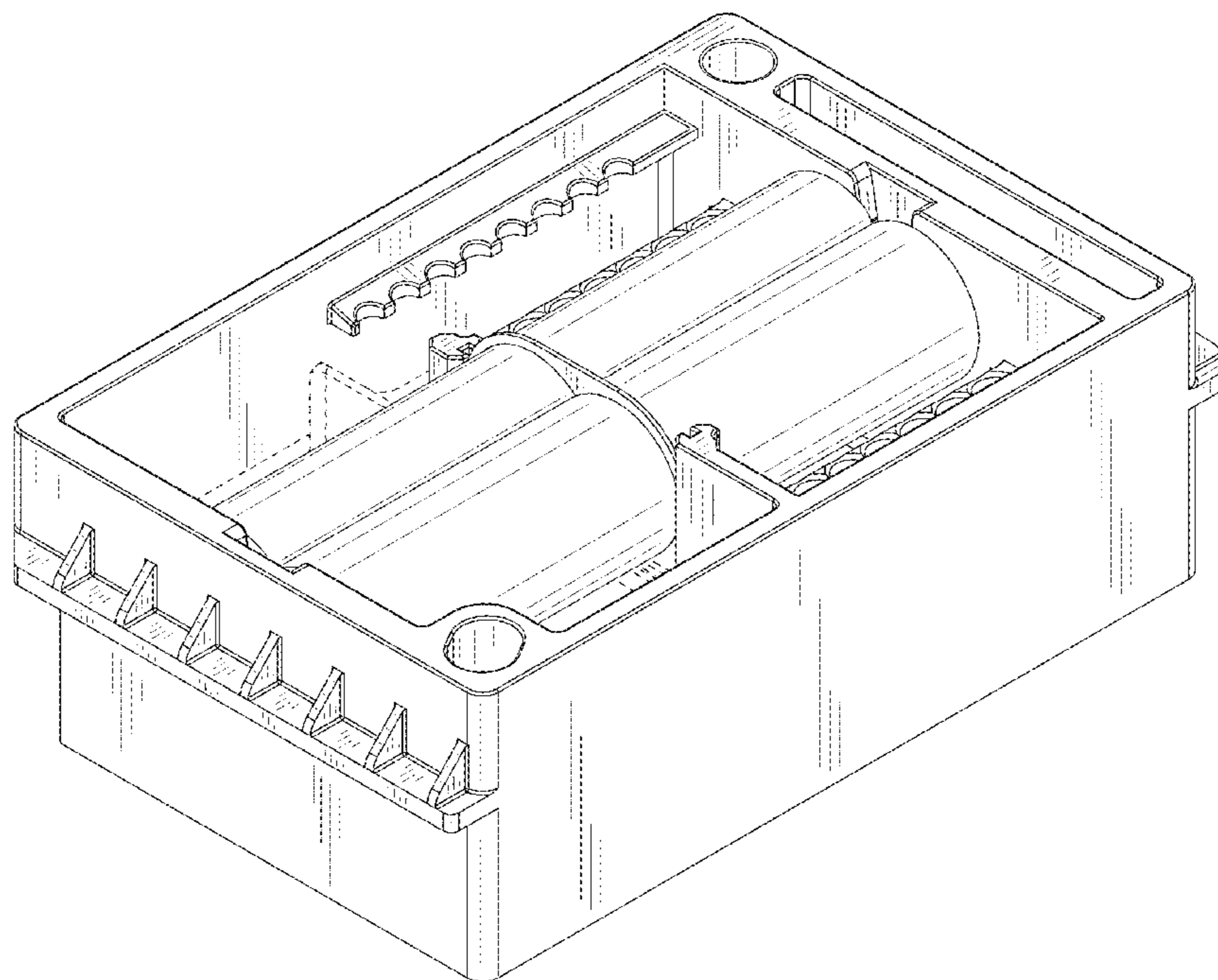
(52) **U.S. Cl.**  
 USPC ..... **D24/217**

(58) **Field of Classification Search**  
 USPC ..... D24/216, 217, 218, 227–232; D32/1, 25  
 CPC ..... A61L 2/26; A61L 2/24; A61L 2/17; A61L  
 2/18; A61L 2/025; A61L 2202/122; A61L  
 2202/10; A61L 2202/11; A61L 2202/14;  
 A61L 2202/23; A61L 2202/24; A61L  
 2202/182

FIG. 1 is a perspective view of the top, front, and right side of the cleaning station assembly;  
 FIG. 2 is a front view of the cleaning station assembly;  
 FIG. 3 is a rear view of the cleaning station assembly;  
 FIG. 4 is a left side view of the cleaning station assembly;  
 FIG. 5 is a right side view of the cleaning station assembly;  
 FIG. 6 is a top view of the cleaning station assembly; and,  
 FIG. 7 is a bottom view of the cleaning station assembly.  
 The portions of the cleaning station assembly shown in broken lines form no part of the claimed design.

See application file for complete search history.

**1 Claim, 7 Drawing Sheets**



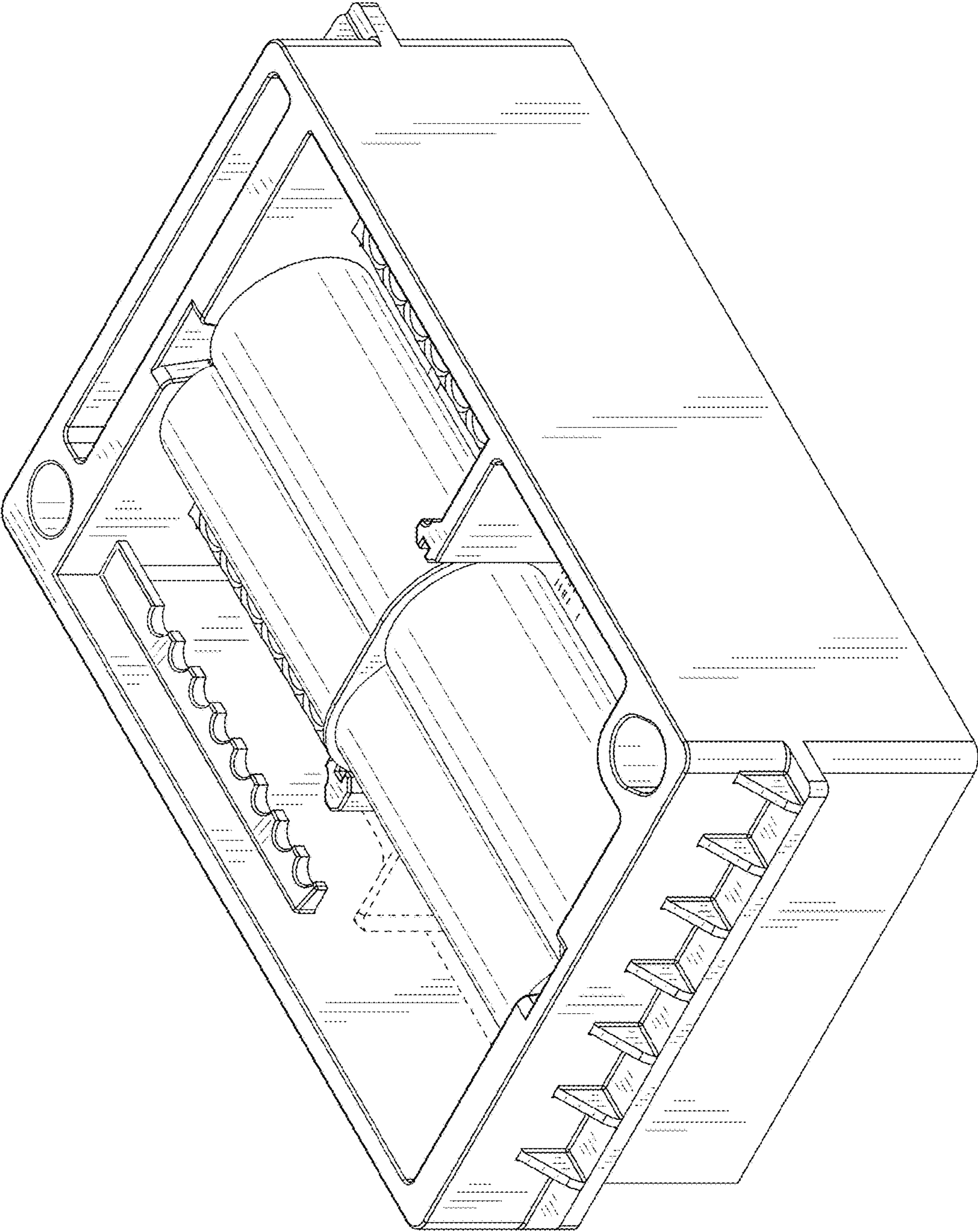


FIG.1

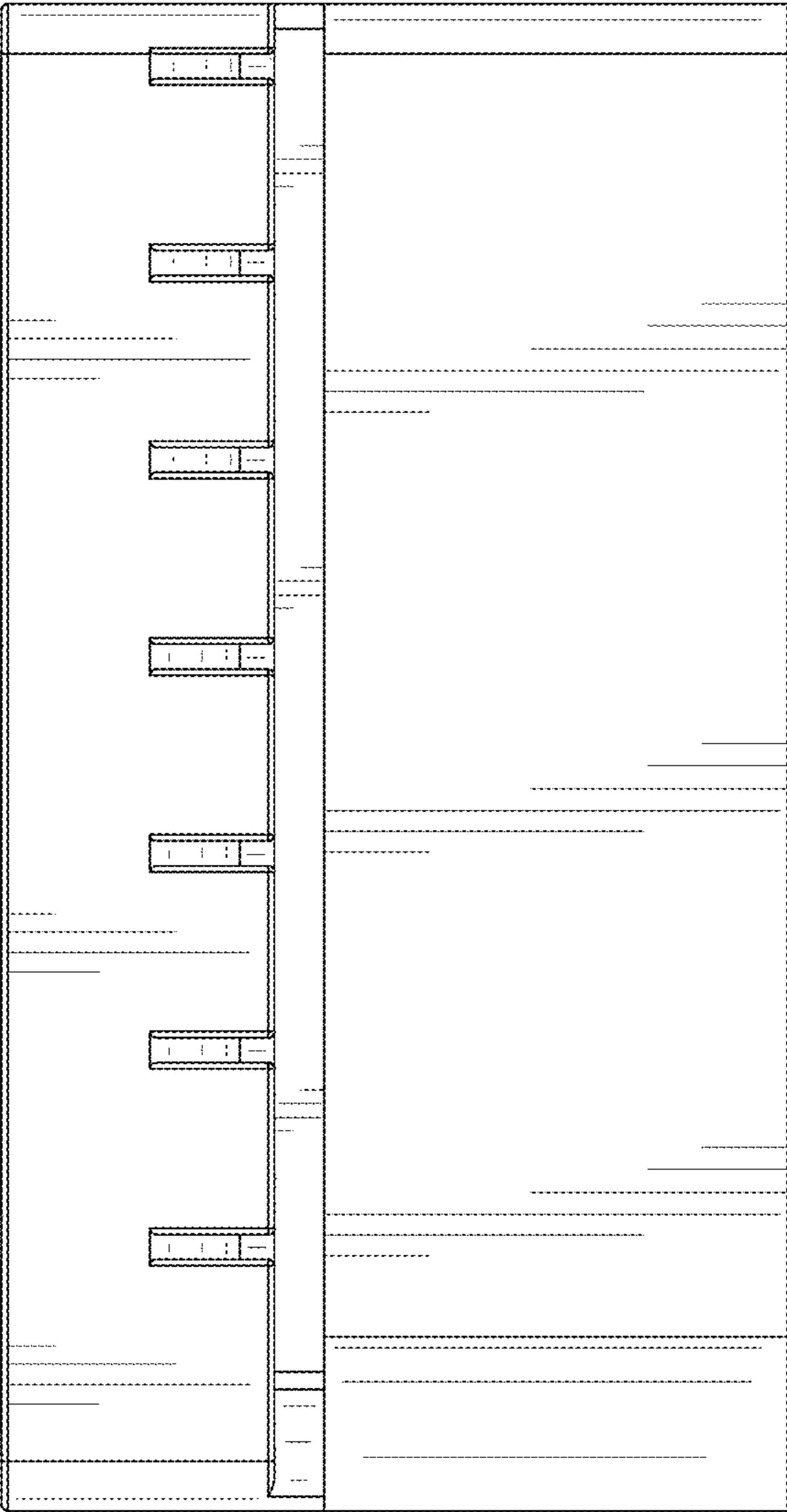


FIG.2

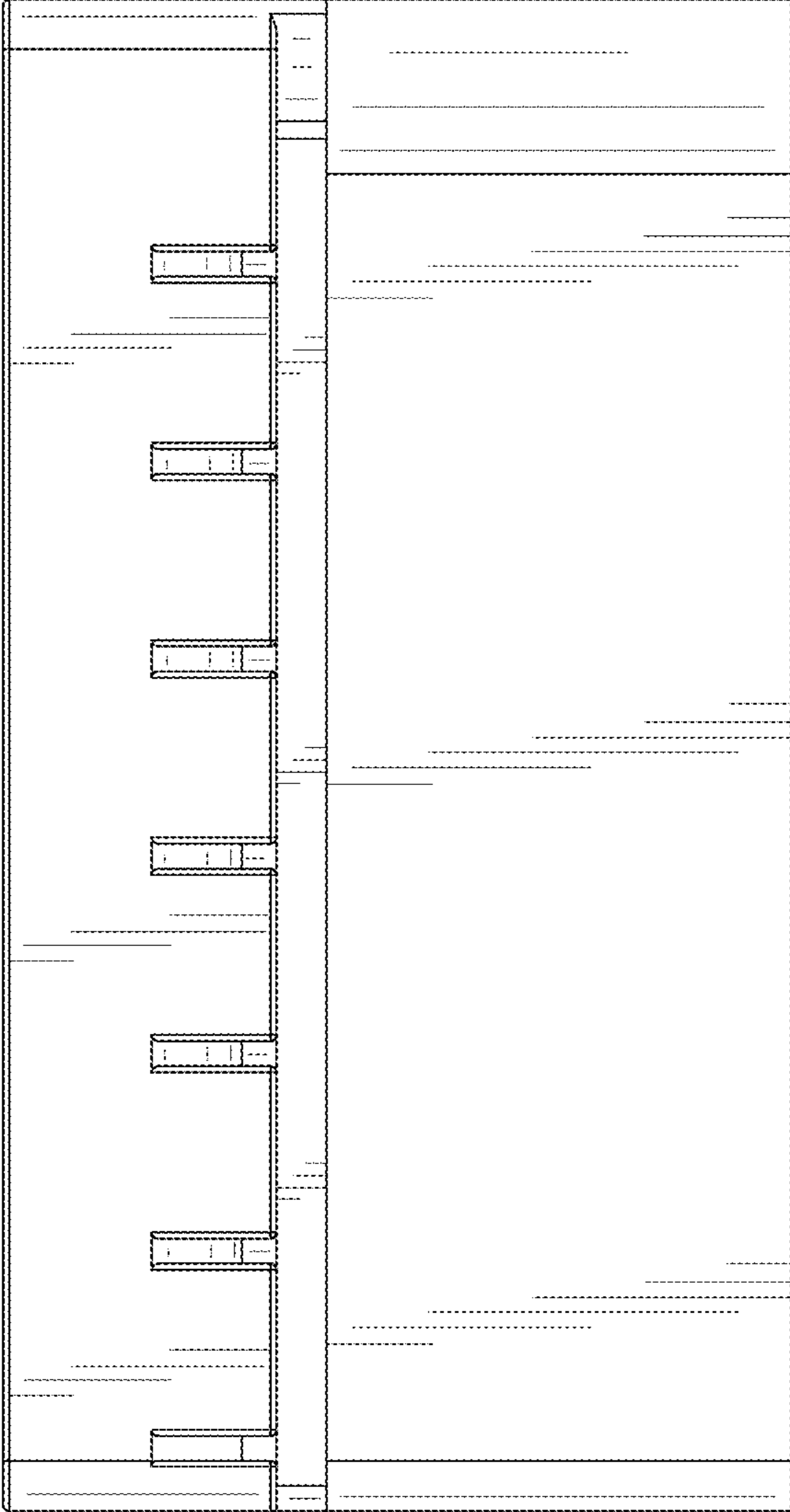


FIG.3

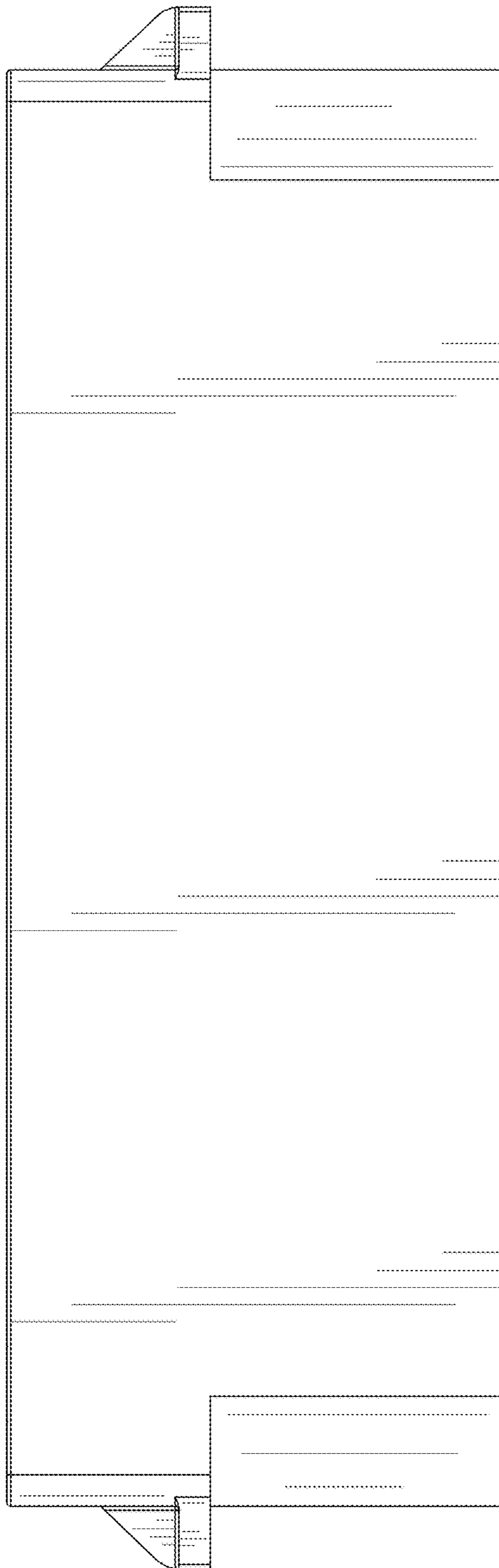


FIG.4

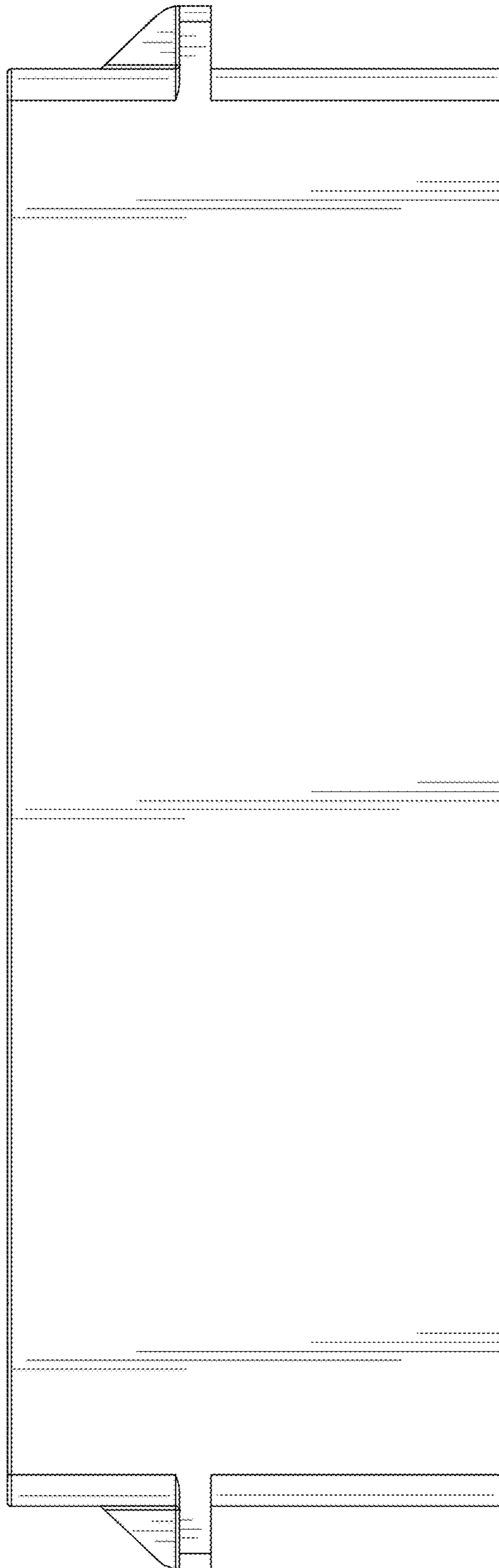


FIG.5

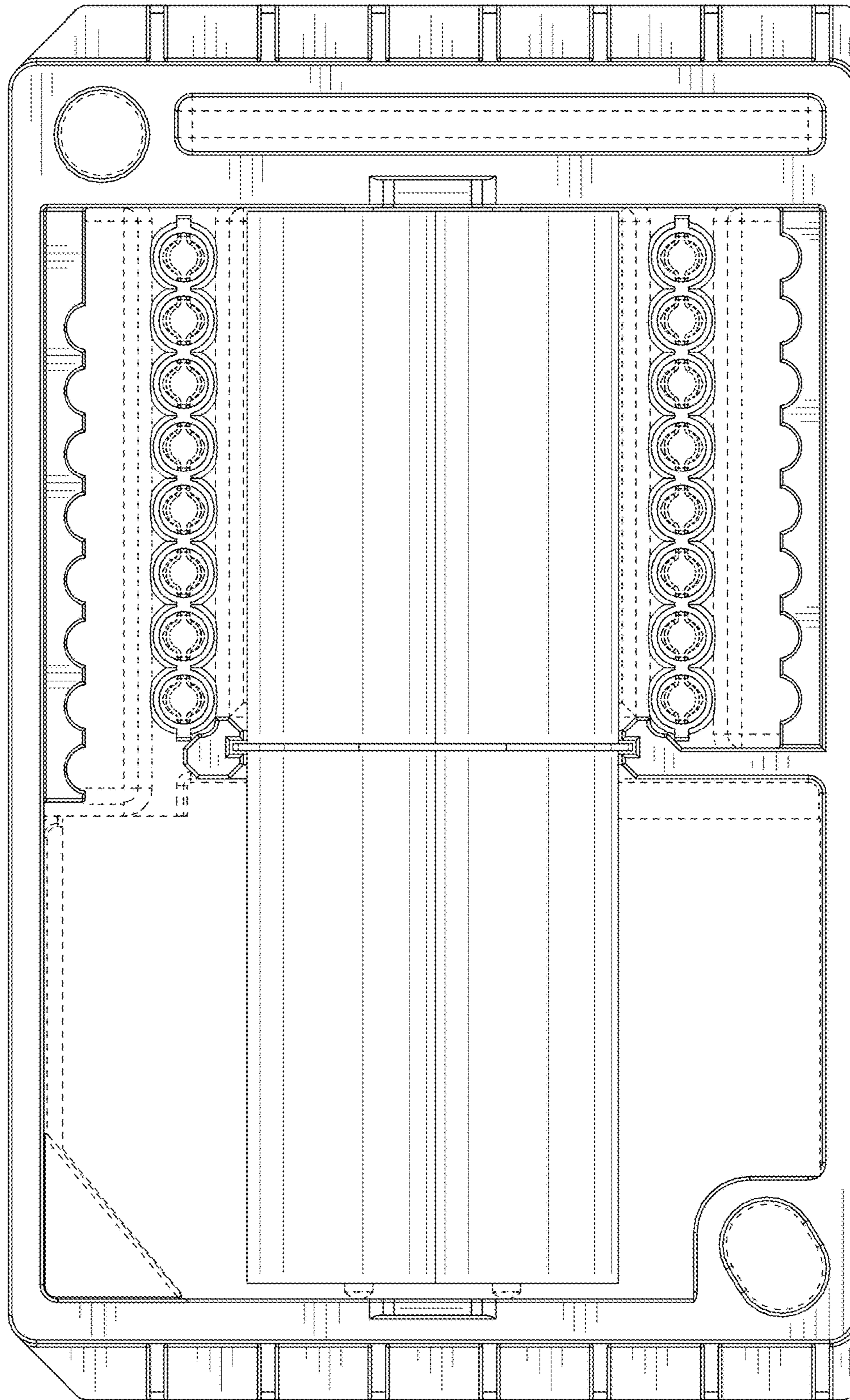


FIG.6



FIG.7