

US00D799707S

(12) **United States Design Patent** (10) **Patent No.:** **US D799,707 S**
Burke et al. (45) **Date of Patent:** **** Oct. 10, 2017**

(54) **TIGHTENING SYSTEM**

6,322,529 B1 11/2001 Chung
 D485,909 S * 1/2004 White D24/190
 6,676,620 B2 1/2004 Schwenn et al.
 7,001,348 B2 2/2006 Garth et al.

(71) Applicant: **Aspen Medical Partners, LLC**, Irvine, CA (US)

(Continued)

(72) Inventors: **Steven Burke**, Huntington Beach, CA (US); **Jozsef Horvath**, Fullerton, CA (US); **Erik Zimmer**, Oceanside, CA (US)

OTHER PUBLICATIONS

Cybertech Body Jacket TLSO, Spine Brace, Cybertech Medical, Downloaded on Apr. 15, 2015.

(73) Assignee: **ASPEN MEDICAL PARTNERS, LLC**, Irvine, CA (US)

Primary Examiner — George D Kirschbaum

Assistant Examiner — Jennifer Watkins

(**) Term: **15 Years**

(74) *Attorney, Agent, or Firm* — Fish IP Law LLP

(21) Appl. No.: **29/535,361**

(57) **CLAIM**

(22) Filed: **Aug. 5, 2015**

We claim the ornamental design for a tightening system, as shown and described.

(51) **LOC (10) Cl.** **24-01**

(52) **U.S. Cl.**
USPC **D24/190**

DESCRIPTION

(58) **Field of Classification Search**
 USPC D24/190–192
 CPC .. A61F 5/028; A61F 5/03; A61F 5/024; A61F 5/0193; A61F 5/02; A61F 5/026; A61F 5/0118; A61F 5/022; A61F 5/30; A61F 7/02; A61F 2007/0001; A61F 5/0106; A61F 5/055; A61F 2250/001
 See application file for complete search history.

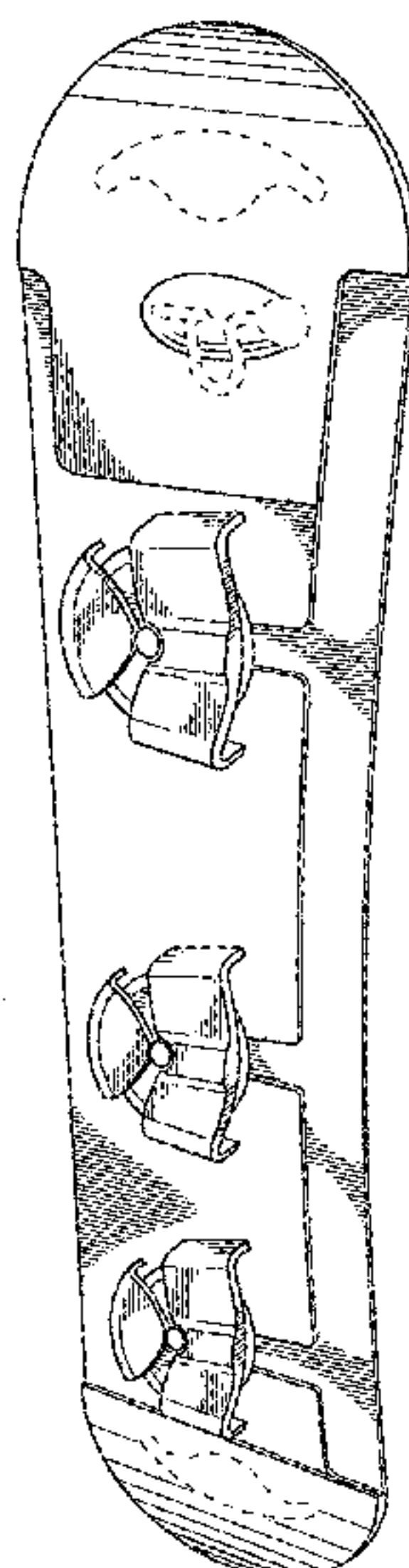
FIG. 1 is a top, front, right side perspective view of a tightening system showing my new design;
 FIG. 2 is a top plan view thereof, shown at an enlarged scale;
 FIG. 3 is a bottom plan view thereof, shown at an enlarged scale;
 FIG. 4 is a front elevation view thereof;
 FIG. 5 is a right side elevation view thereof;
 FIG. 6 is a left side elevation view thereof;
 FIG. 7 is a rear elevation view thereof;
 FIG. 8 is a top, front, right side perspective view of a second embodiment of FIG. 1, the only difference being the sheaves being shown in dotted lines and form no part of the second embodiment, it being understood that all other surfaces are the same as those of the first embodiment; and,
 FIG. 9 is a top, front, right side exploded perspective view of the tightening system of FIG. 1.
 The broken line showing in the drawings is for the purpose of illustrating portions of the tightening system and forms no part of the claim.

(56) **References Cited**

U.S. PATENT DOCUMENTS

321,146 A	6/1885	Spencer	
2,554,337 A	5/1951	Lampert	
D243,037 S *	1/1977	Spiro D24/190
4,508,110 A	4/1985	Modglin	
5,179,942 A	1/1993	Drulias et al.	
5,188,586 A	2/1993	Castel et al.	
5,484,395 A	1/1996	DeRoche	
5,690,609 A	11/1997	Heinze, III	
RE35,940 E	10/1998	Heinz et al.	
6,213,968 B1	4/2001	Heinz et al.	

1 Claim, 4 Drawing Sheets



(56)

References Cited

U.S. PATENT DOCUMENTS

D617,464	S *	6/2010	Weaver, II	D24/190
D636,494	S *	4/2011	Garth	D24/190
8,142,377	B2	3/2012	Garth et al.		
D666,301	S *	8/2012	Joseph	D24/190
8,372,023	B2 *	2/2013	Garth	A61F 5/028
					128/876
D677,390	S *	3/2013	Garth	D24/190
D706,938	S *	6/2014	Weaver, II	D24/190
8,808,213	B2 *	8/2014	Hendricks	A61F 5/028
					602/19
8,864,695	B2 *	10/2014	Thornton	A61F 5/028
					128/96.1
D725,786	S *	3/2015	Romo	D24/190
8,988,235	B2 *	3/2015	Burke	A61F 5/01
					116/212
9,066,792	B2 *	6/2015	Garth	A61F 5/028
9,345,279	B2 *	5/2016	Chao	A61F 5/028
9,504,596	B1 *	11/2016	Kozersky	A61F 5/028
2001/0020144	A1	9/2001	Heinz et al.		
2002/0148461	A1	10/2002	Heinz et al.		
2005/0059917	A1 *	3/2005	Garth	A61F 5/028
					602/19
2005/0267390	A1	12/2005	Garth et al.		
2009/0163841	A1 *	6/2009	Garth	A61F 5/028
					602/19
2012/0204381	A1 *	8/2012	Ingimundarson	A41F 1/04
					24/71.1
2012/0245502	A1	9/2012	Garth et al.		
2013/0239303	A1 *	9/2013	Cotterman	A42B 3/08
					2/417
2014/0100501	A1 *	4/2014	Burke	A61F 5/028
					602/19

* cited by examiner

FIG. 1

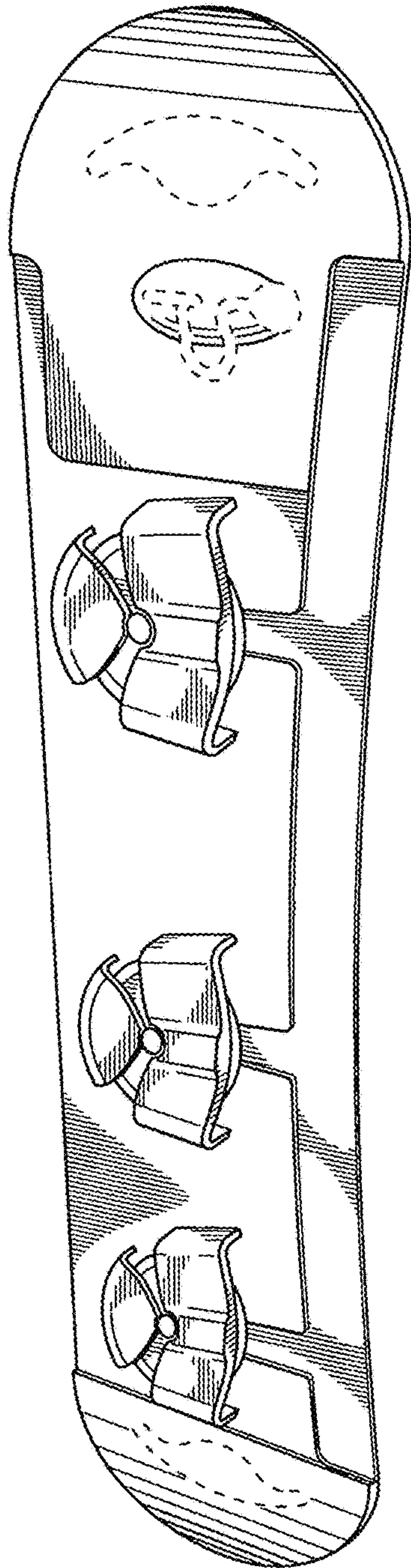


FIG. 2

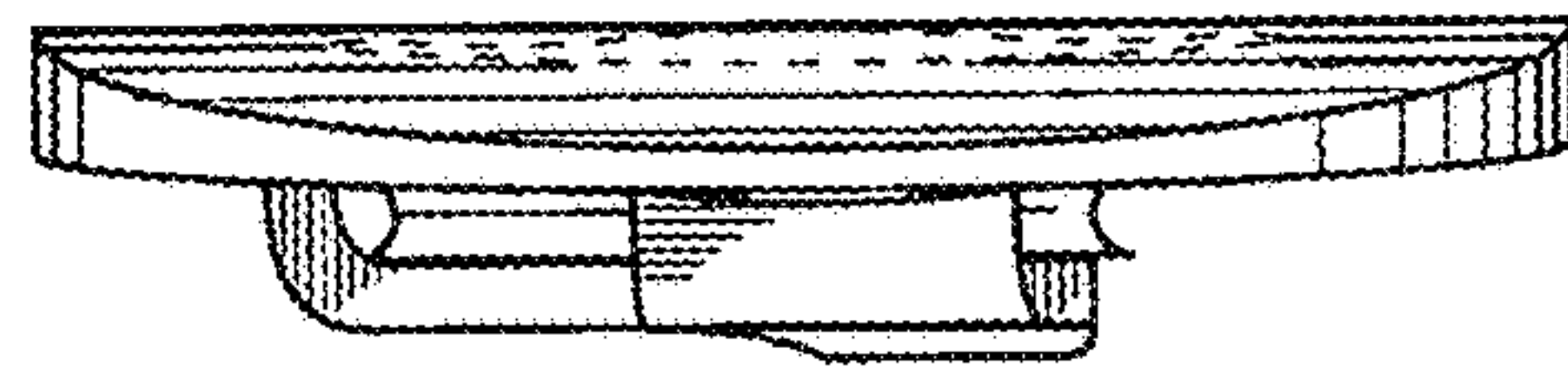
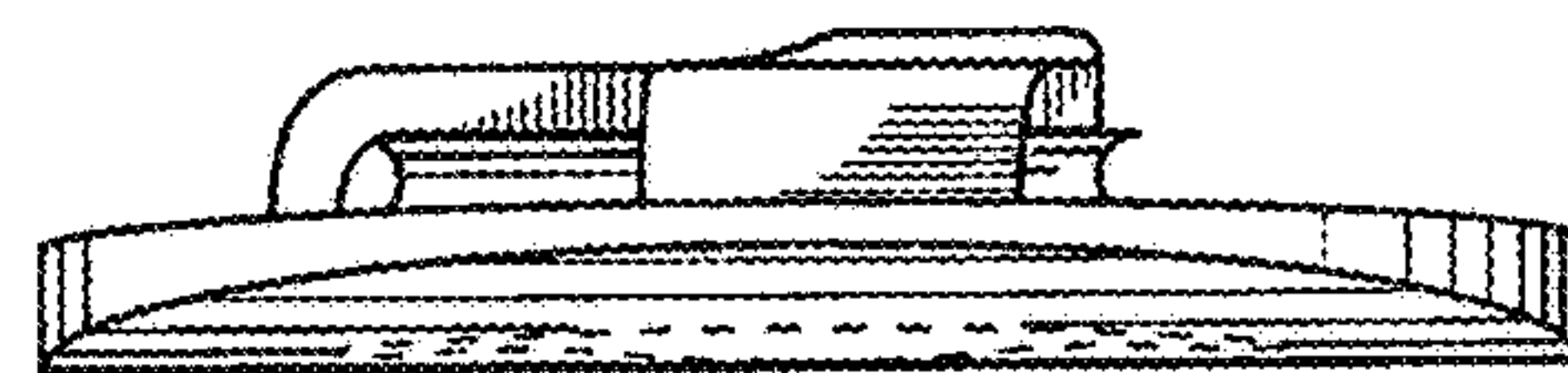


FIG. 3



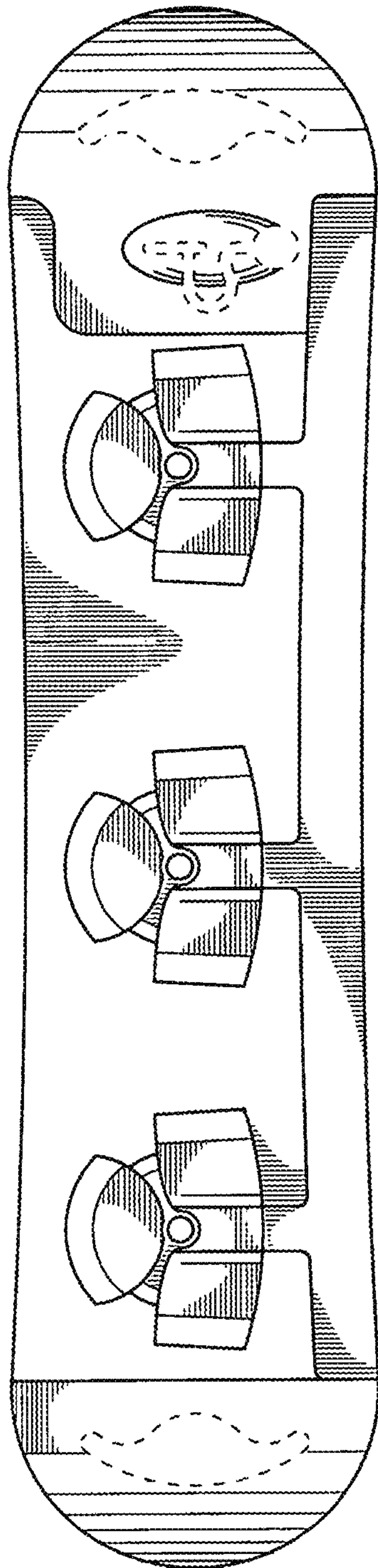


FIG. 4



FIG. 5



FIG. 6

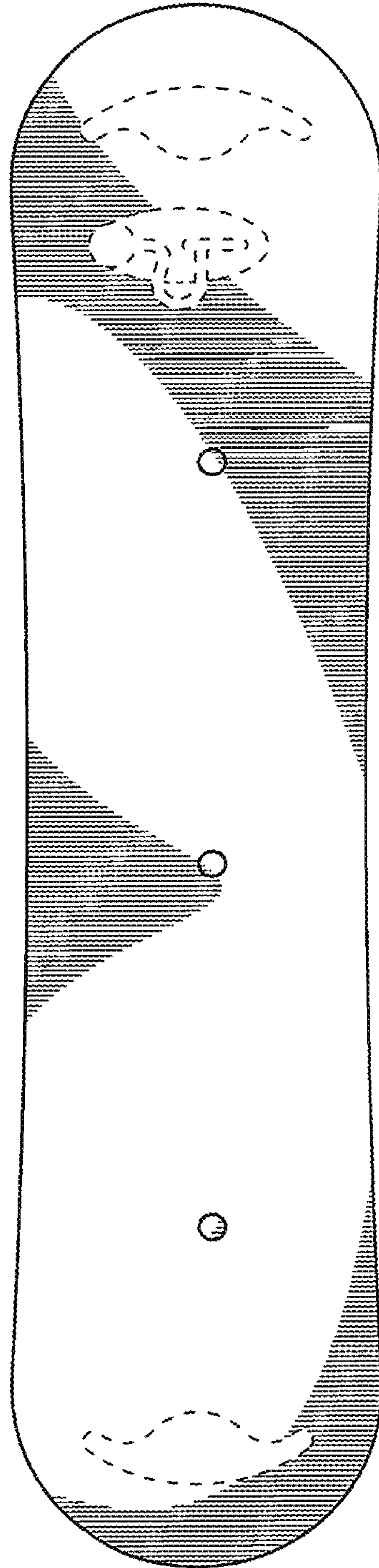


FIG. 7

FIG. 8

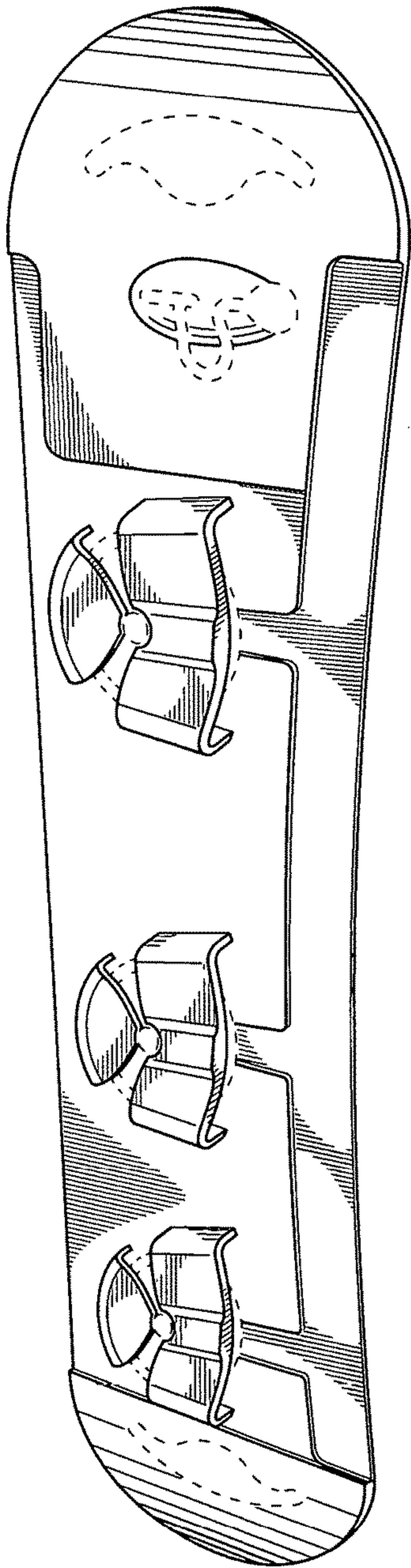


FIG. 9

