



US00D799705S

(12) **United States Design Patent**
Parker et al.

(10) **Patent No.:** **US D799,705 S**

(45) **Date of Patent:** **** Oct. 10, 2017**

(54) **SWALLOWING EXERCISE AND REHABILITATION DEVICE**

(71) Applicants: **Page Parker**, Alamonte Springs, FL (US); **Jolie Parker**, Alamonte Springs, FL (US)

(72) Inventors: **Page Parker**, Alamonte Springs, FL (US); **Jolie Parker**, Alamonte Springs, FL (US)

(**) Term: **15 Years**

(21) Appl. No.: **29/585,552**

(22) Filed: **Nov. 25, 2016**

(51) **LOC (10) Cl.** **24-02**

(52) **U.S. Cl.**
USPC **D24/188**

(58) **Field of Classification Search**
USPC D24/178, 188, 191, 152, 156, 176;
601/38
CPC A61H 2201/0153; A61H 2201/1269; A61H 2201/1607; A61H 2201/1619; A61H 2201/1253; A61B 1/24; A63B 23/03; A63B 23/032
See application file for complete search history.

(56) **References Cited**

U.S. PATENT DOCUMENTS

837,996 A * 12/1906 Youngman G09B 15/00
600/227
D367,118 S * 2/1996 Miller D24/188

D513,438 S * 1/2006 McNeice D24/188
D696,407 S * 12/2013 Herman D24/188
D782,047 S * 3/2017 Ritter D24/176
2014/0018711 A1* 1/2014 Philipson A61H 1/00
601/38
2016/0270878 A1* 9/2016 Fulton, III A61B 1/24
2016/0346146 A1* 12/2016 O'Loughlin A61G 5/12

* cited by examiner

Primary Examiner — Thomas Johannes

Assistant Examiner — Samantha Q Lawrence

(74) *Attorney, Agent, or Firm* — The Rapacke Law Group P.A.

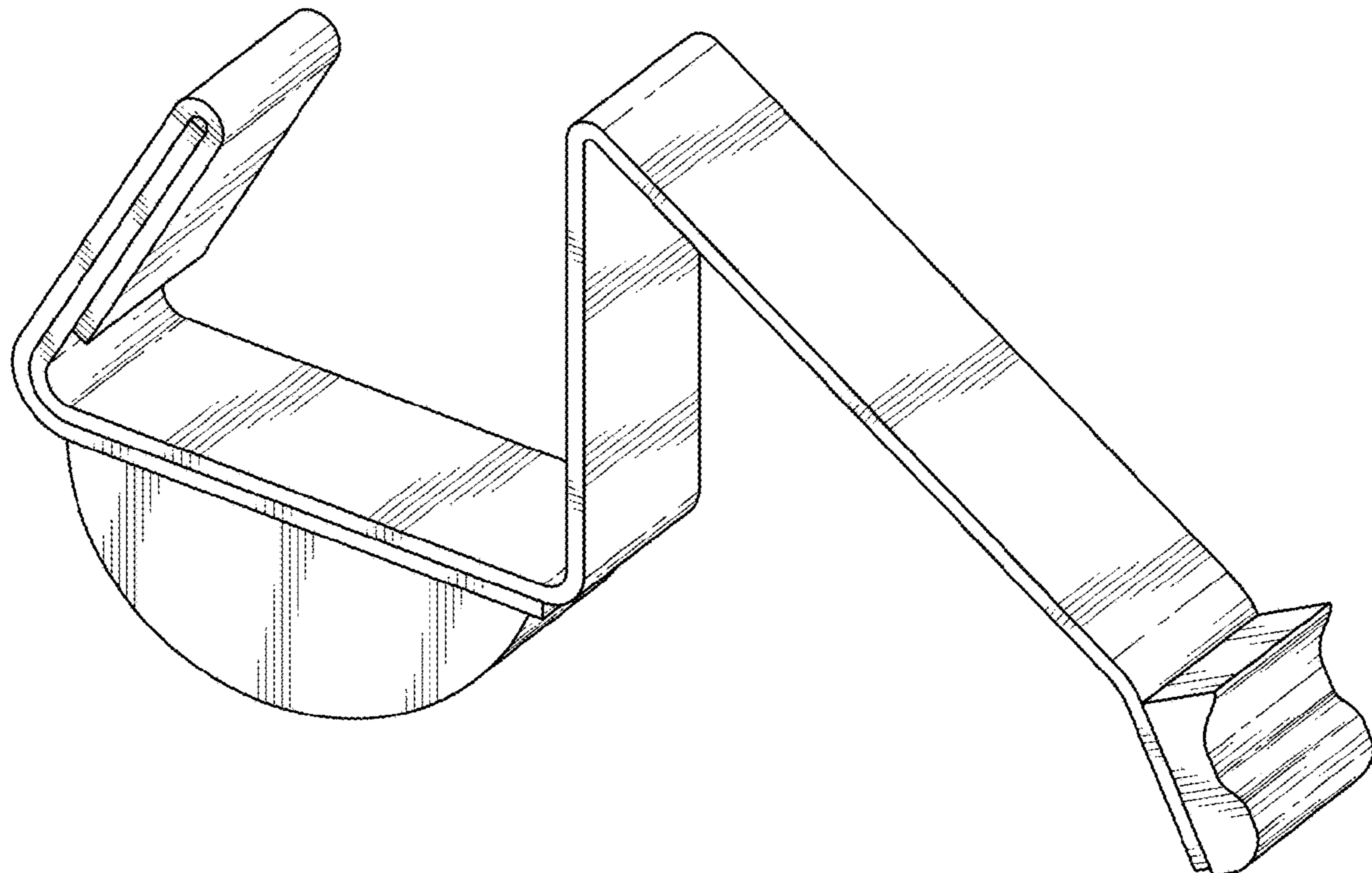
(57) **CLAIM**

The ornamental design for a swallowing exercise and rehabilitation device, as shown and described.

DESCRIPTION

FIG. 1 is a perspective view of the swallowing exercise and rehabilitation device;
FIG. 2 is a front view thereof;
FIG. 3 is a rear view thereof;
FIG. 4 is a left side view thereof;
FIG. 5 is top view thereof;
FIG. 6 is a bottom view thereof;
FIG. 7 is a right side view thereof in use; and,
FIG. 8 is another right side view thereof in use.
The break lines shown in FIGS. 7 and 8 form no part of the claimed design.
The broken lines shown in FIGS. 7 and 8 illustrate environment and form no part of the claimed design.

1 Claim, 4 Drawing Sheets



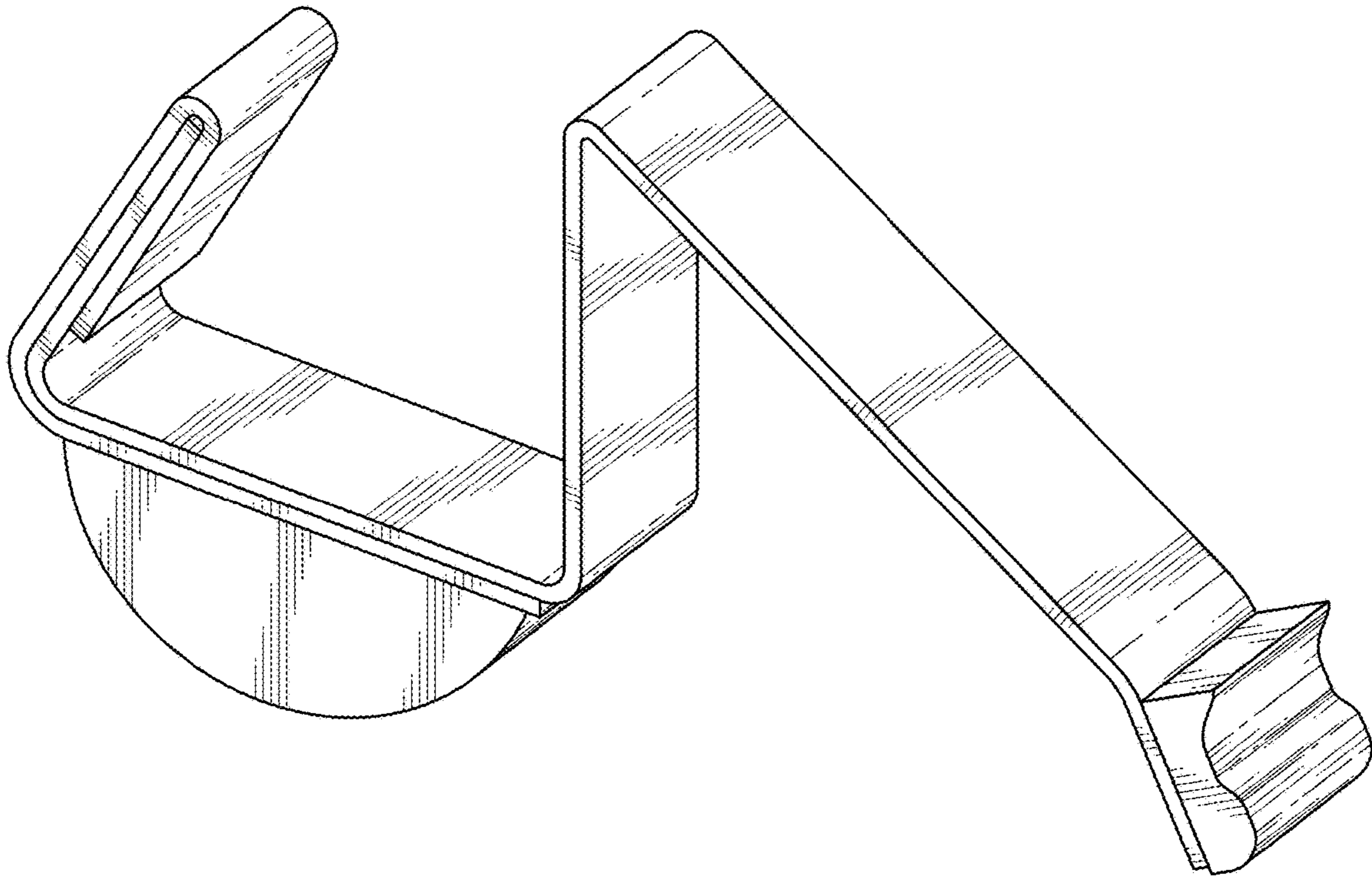


FIG. 1

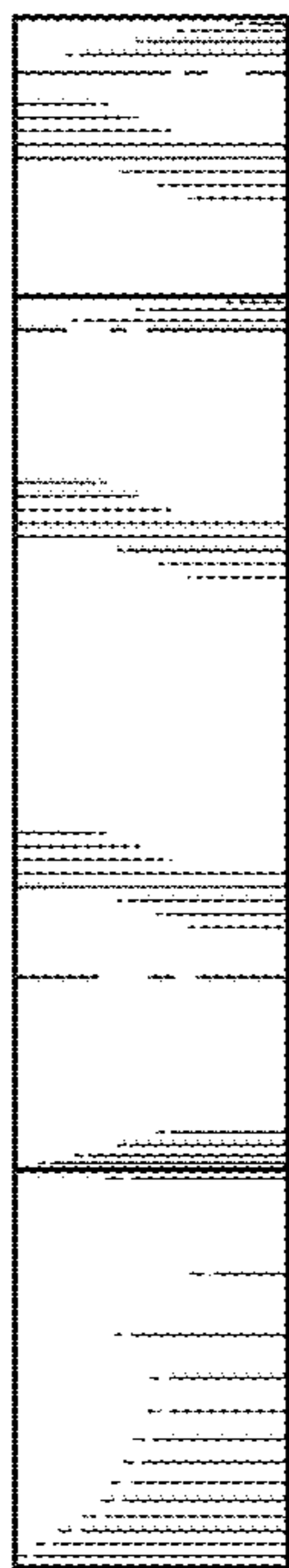


FIG. 2

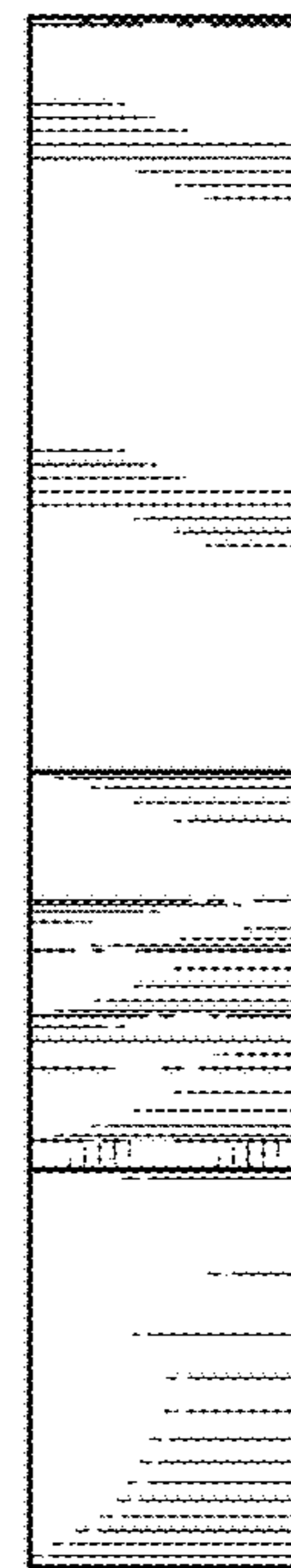


FIG. 3

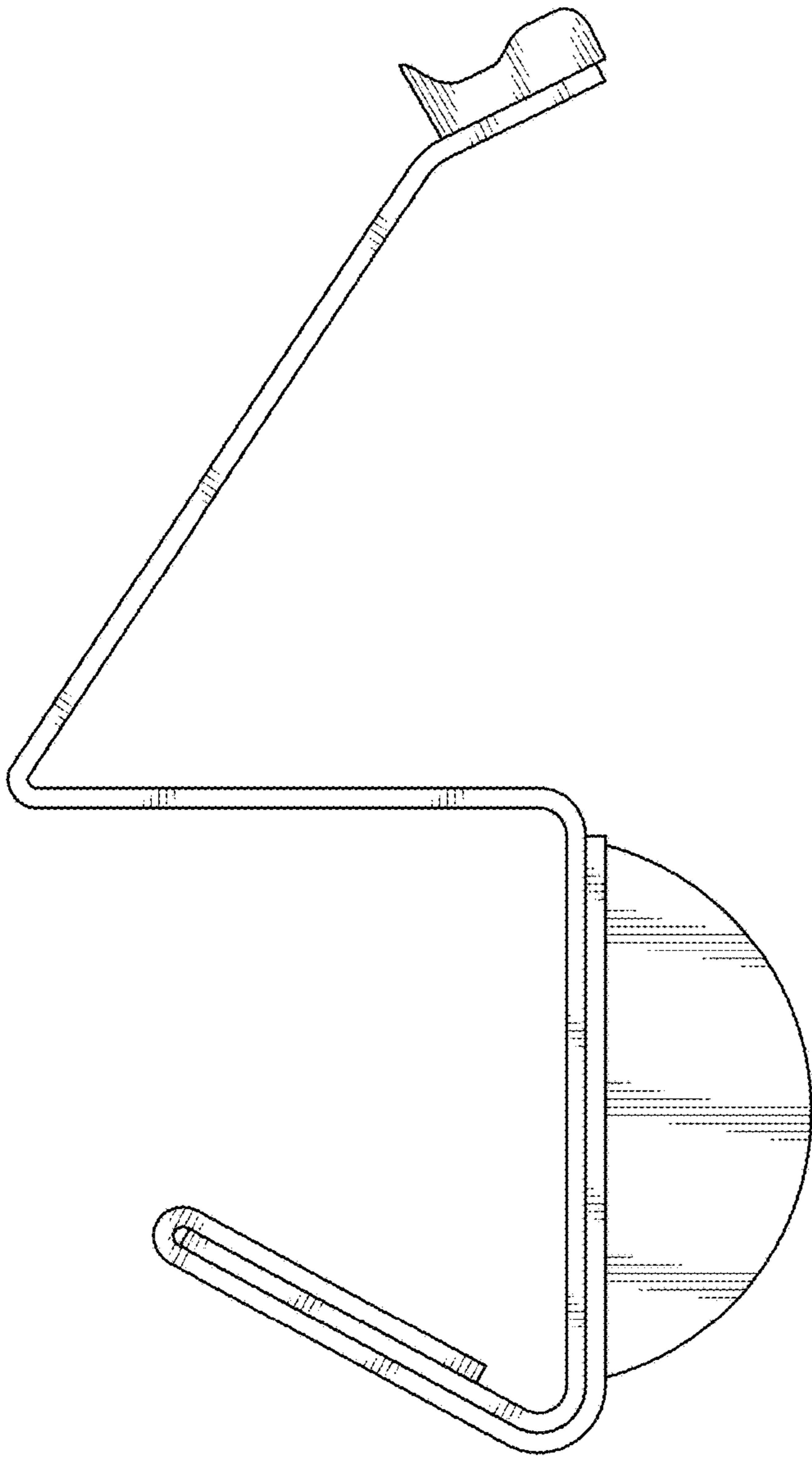


FIG. 4

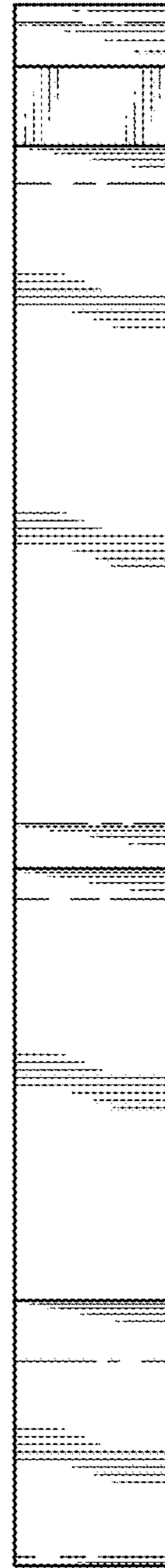


FIG. 5

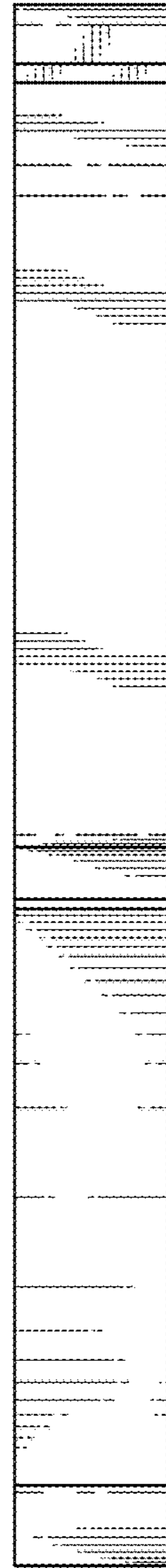


FIG. 6



FIG. 7



FIG. 8