



US00D799704S

(12) **United States Design Patent** (10) **Patent No.:** **US D799,704 S**
Younger (45) **Date of Patent:** **** Oct. 10, 2017**

(54) **CRUTCH**

(71) Applicant: **MOBILITY DESIGNED, LLC**,
Kansas City, MO (US)

(72) Inventor: **Max Jefferies Younger**, Roeland Park,
KS (US)

(73) Assignee: **Mobility Designed, LLC**, Kansas City,
MO (US)

(**) Term: **15 Years**

(21) Appl. No.: **29/570,544**

(22) Filed: **Jul. 8, 2016**

(51) **LOC (10) Cl.** **24-03**

(52) **U.S. Cl.**
USPC **D24/188**

(58) **Field of Classification Search**
USPC D24/188; D3/8, 7
CPC A61H 3/02; A61H 3/0288; A61H
2003/0211; A61H 2003/006; A61H
2003/007; A61H 2201/0192; A45B 9/04
See application file for complete search history.

(56) **References Cited**

U.S. PATENT DOCUMENTS

D256,404 S * 8/1980 Barfod D3/10
D258,096 S * 2/1981 Barfod D3/8
5,331,989 A * 7/1994 Stephens A45B 9/00
135/65
D381,196 S * 7/1997 Stefanelli D3/16
D394,148 S * 5/1998 Hosick D3/8

D426,377 S * 6/2000 Barnes D3/7
D482,192 S * 11/2003 Lewicki D3/7
D485,675 S * 1/2004 Selvig D3/8
D552,245 S * 10/2007 Davis D24/188
8,474,470 B2 * 7/2013 Albertyn A61H 3/02
135/69

FOREIGN PATENT DOCUMENTS

ES 2431414 A1 11/2013

* cited by examiner

Primary Examiner — Charles Hanson

(74) *Attorney, Agent, or Firm* — Lathrop Gage LLP

(57) **CLAIM**

The ornamental design for a crutch, as shown and described.

DESCRIPTION

FIG. 1 is a perspective view of a crutch according to the invention.

FIG. 2 is a front view of the crutch of FIG. 1.

FIG. 3 is a rear view of the crutch of FIG. 1.

FIG. 4 is a right side view of the crutch of FIG. 1.

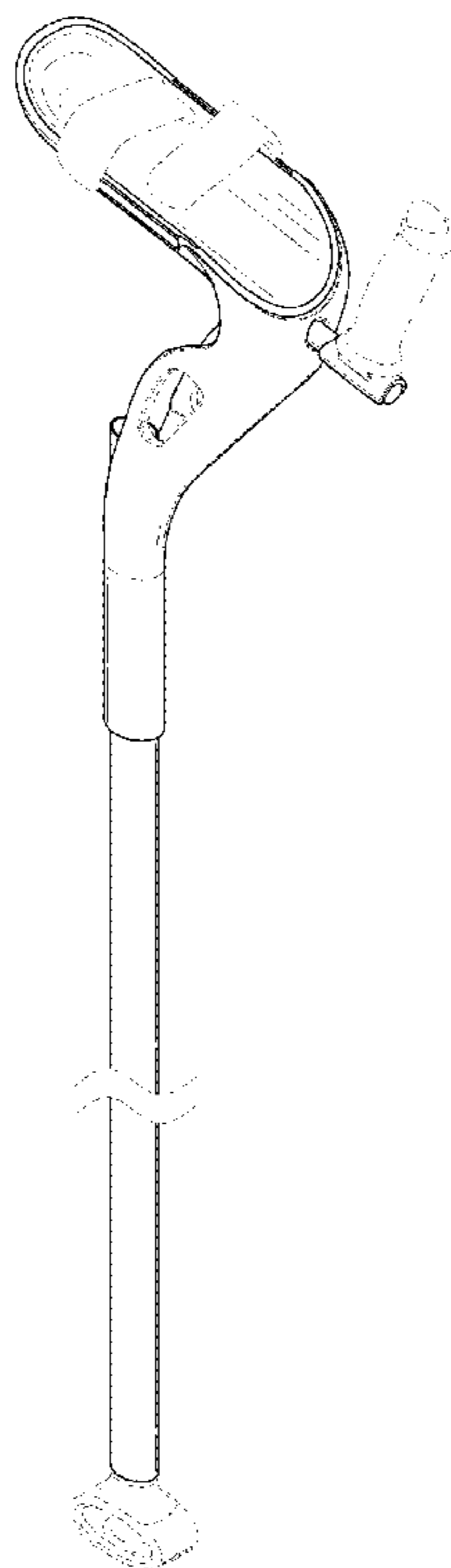
FIG. 5 is a left side view of the crutch of FIG. 1.

FIG. 6 is a top view of the crutch of FIG. 1; and,

FIG. 7 is a bottom view of the crutch of FIG. 1.

The broken lines in the drawings depict environmental subject matter only and form no part of the claimed design.

1 Claim, 6 Drawing Sheets



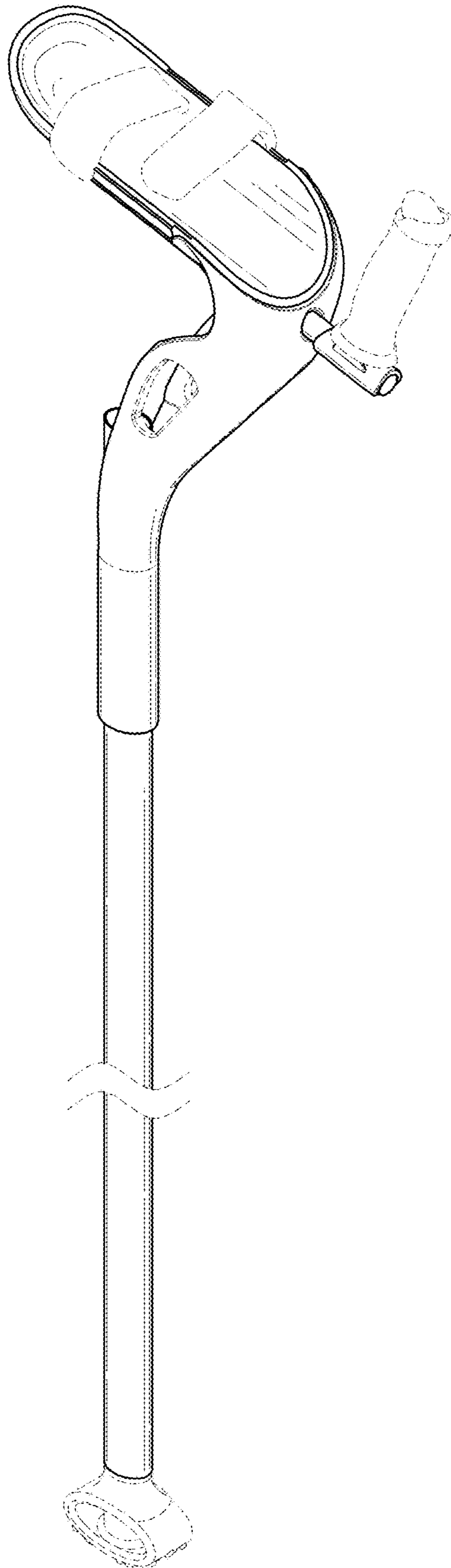


FIG. 1

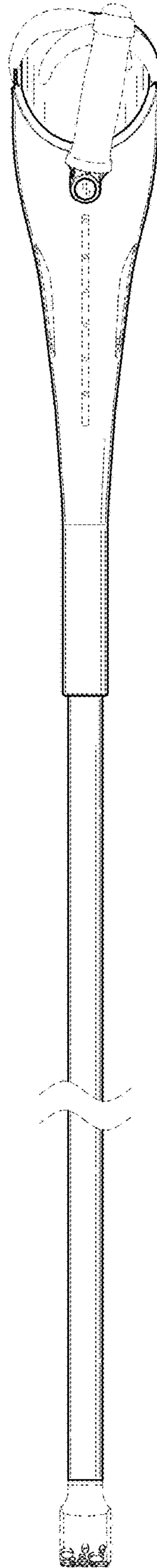


FIG. 2

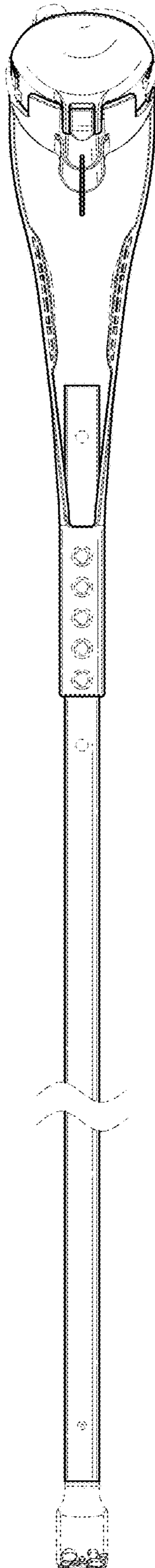


FIG. 3

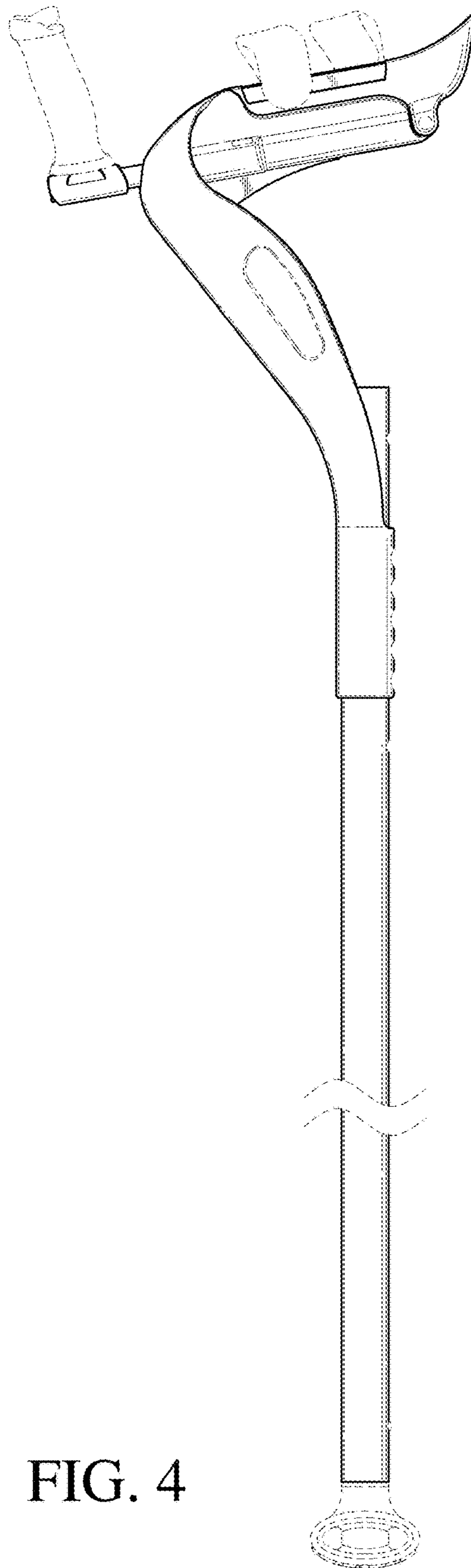


FIG. 4

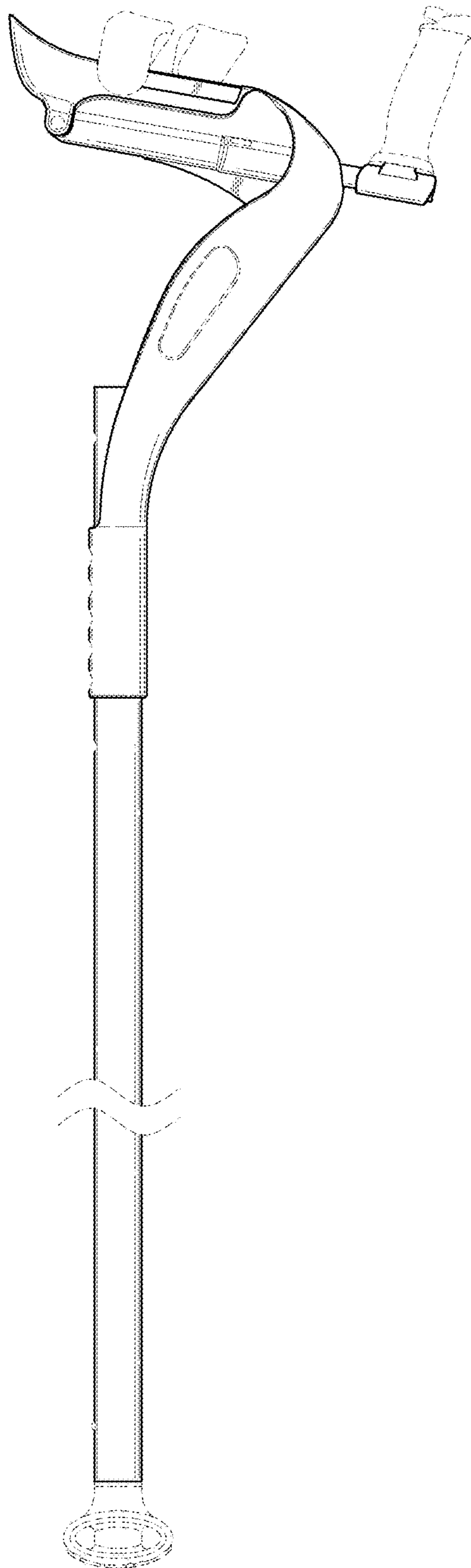


FIG. 5

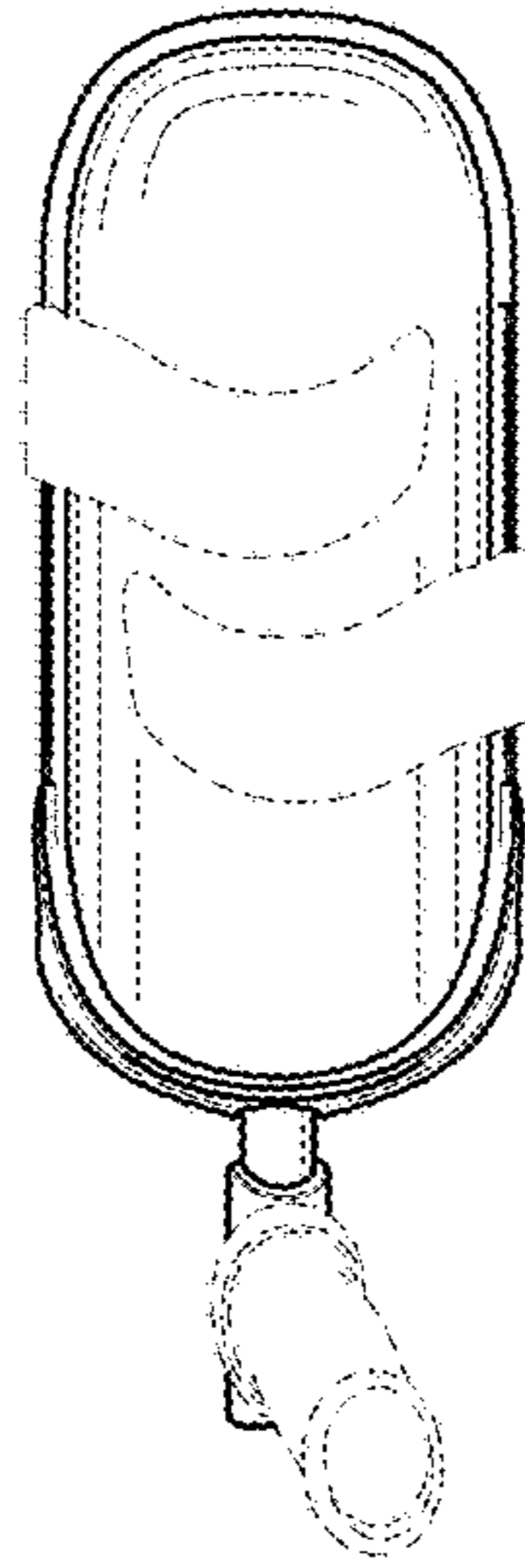


FIG. 6

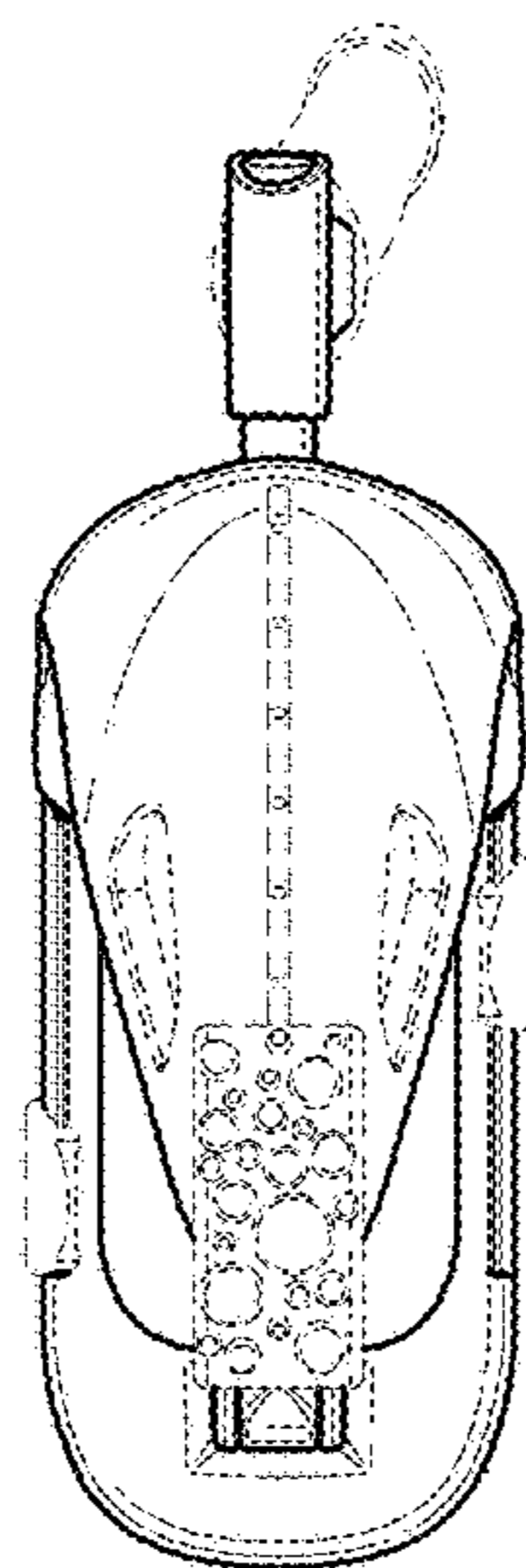


FIG. 7