



US00D799703S

(12) **United States Design Patent**  
**Saunamäki et al.**

(10) **Patent No.:** **US D799,703 S**  
(45) **Date of Patent:** **\*\* Oct. 10, 2017**

(54) **WRIST DEVICE**

(71) Applicant: **PulseOn Oy**, Espoo (FI)

(72) Inventors: **Jarkko Saunamäki**, Vantaa (FI); **Jari Nousiainen**, Espoo (FI); **Ilkka Korhonen**, Lempaala (FI)

(73) Assignee: **PULSEON OY**, Espoo (FI)

(\*\*) Term: **15 Years**

(21) Appl. No.: **29/577,381**

(22) Filed: **Sep. 13, 2016**

**Related U.S. Application Data**

(62) Division of application No. 29/492,190, filed on May 29, 2014.

(51) **LOC (10) Cl.** ..... **24-02**

(52) **U.S. Cl.**  
USPC ..... **D24/186**

(58) **Field of Classification Search**  
USPC ..... D24/165–168, 186, 187, 107; D10/70, D10/65, 97, 98, 30–32, 38; D11/3; D14/341, 344, 138 R  
CPC ..... A61B 5/6802; A61B 5/681; A61B 5/6824; A61B 5/6831; A61B 2560/0412; A61B 2560/0431; A61B 2560/0443; A61B 2560/0462; A61B 2560/0468; A61B 5/02405; A61B 5/02438; G08B 21/0211  
See application file for complete search history.

(56) **References Cited**

**U.S. PATENT DOCUMENTS**

4,305,401 A \* 12/1981 Reissmueller ..... A61B 5/02241  
600/503  
D567,950 S \* 4/2008 Savage, Jr. .... D24/186

D670,583 S \* 11/2012 Shaanan ..... D10/70  
D674,488 S \* 1/2013 McKay ..... D24/167  
D677,792 S \* 3/2013 Vandiver ..... D24/167  
D687,951 S \* 8/2013 Della Torre ..... D24/167  
D736,935 S \* 8/2015 Just ..... D24/187  
D737,157 S \* 8/2015 Akana ..... D24/167  
2006/0195020 A1 \* 8/2006 Martin ..... G06F 19/3475  
600/301  
2010/0036270 A1 \* 2/2010 Chen ..... A61B 5/04085  
600/509  
2014/0135612 A1 \* 5/2014 Yuen ..... A61B 5/02405  
600/407  
2014/0371601 A1 \* 12/2014 Fei ..... A61B 5/02427  
600/476  
2016/0022220 A1 \* 1/2016 Lee ..... A61B 5/02438  
600/479

\* cited by examiner

*Primary Examiner* — Anhdao Doan

(74) *Attorney, Agent, or Firm* — Jacobson Holman, PLLC.

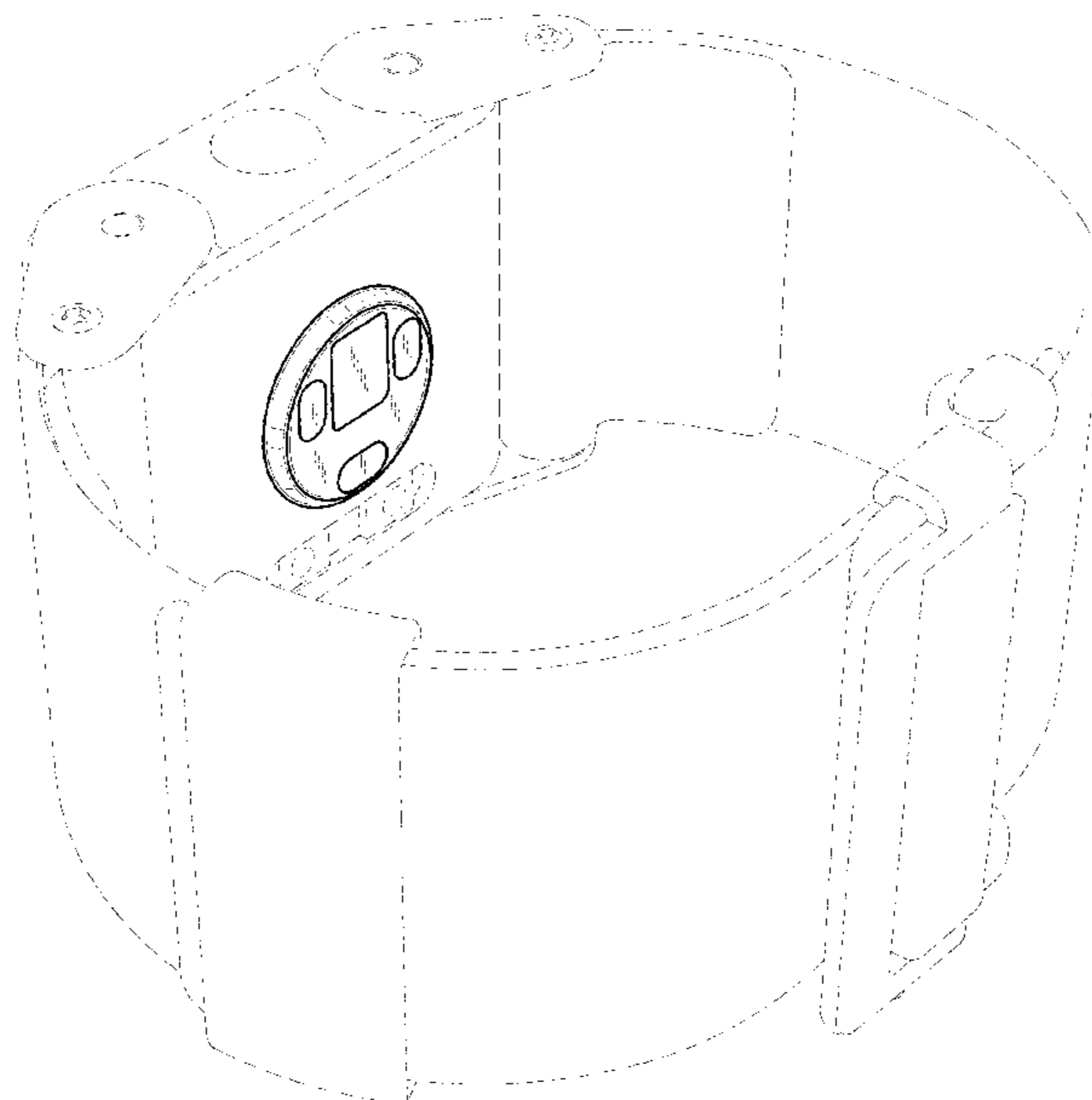
(57) **CLAIM**

We claim the ornamental design for the wrist device, as shown and described.

**DESCRIPTION**

FIG. 1 is a bottom perspective view of a wrist device embodying our design;  
FIG. 2 is a bottom perspective view of the wrist device shown in FIG. 1; and,  
FIG. 3 is a bottom view thereof.  
The dotted lines are not part of the wrist device being claimed but solely show environment.

**1 Claim, 2 Drawing Sheets**



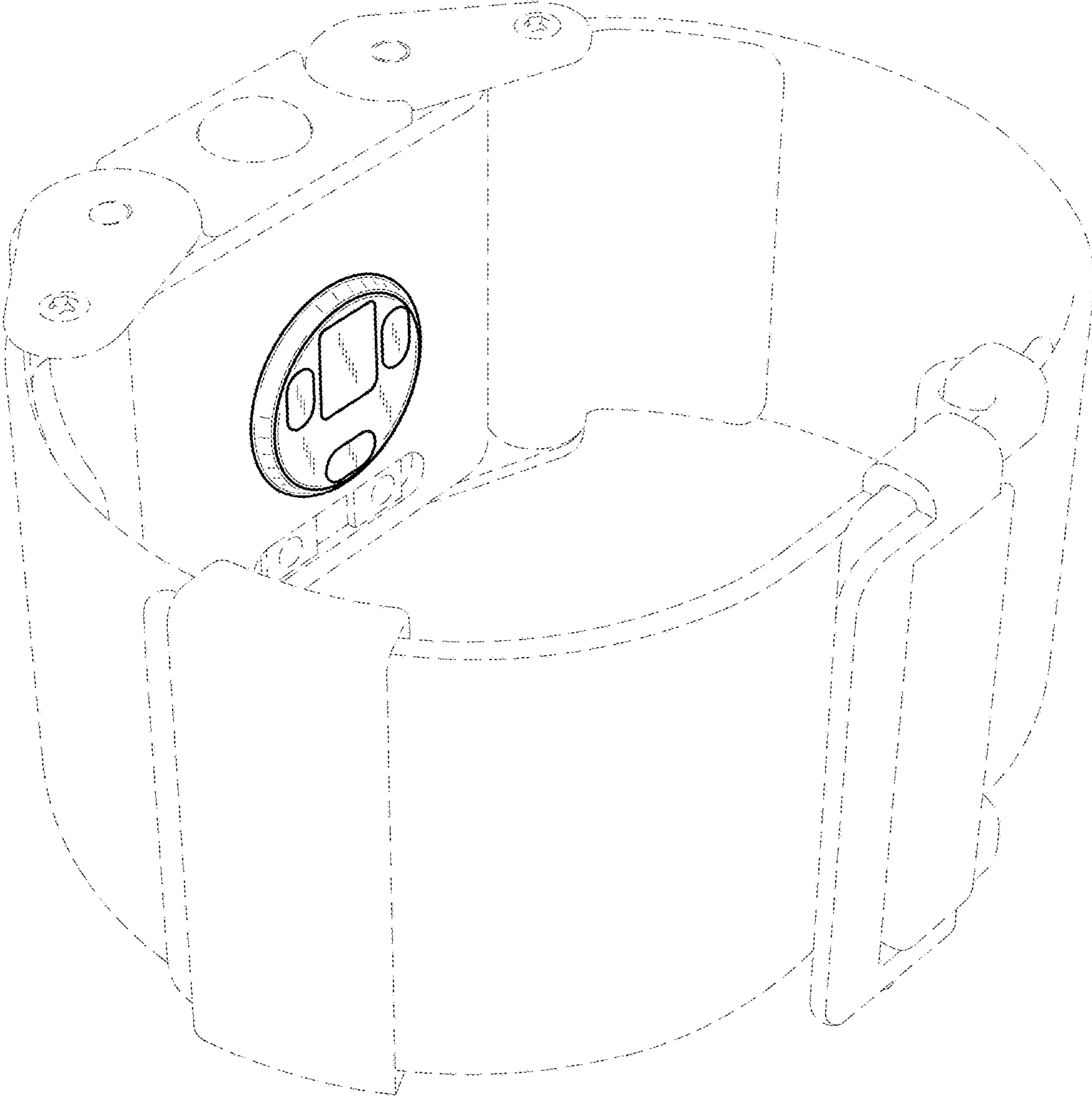


FIG. 1

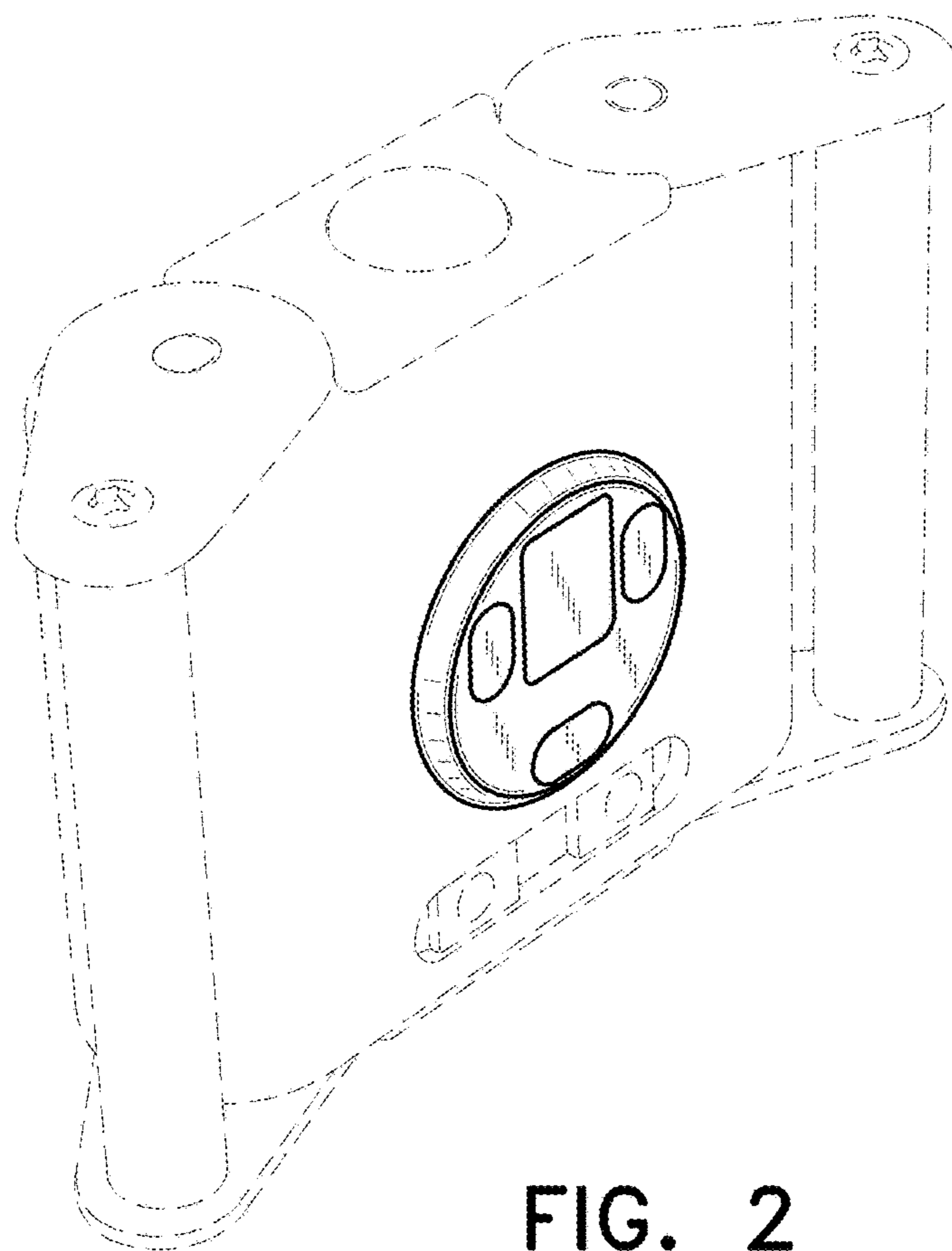


FIG. 2

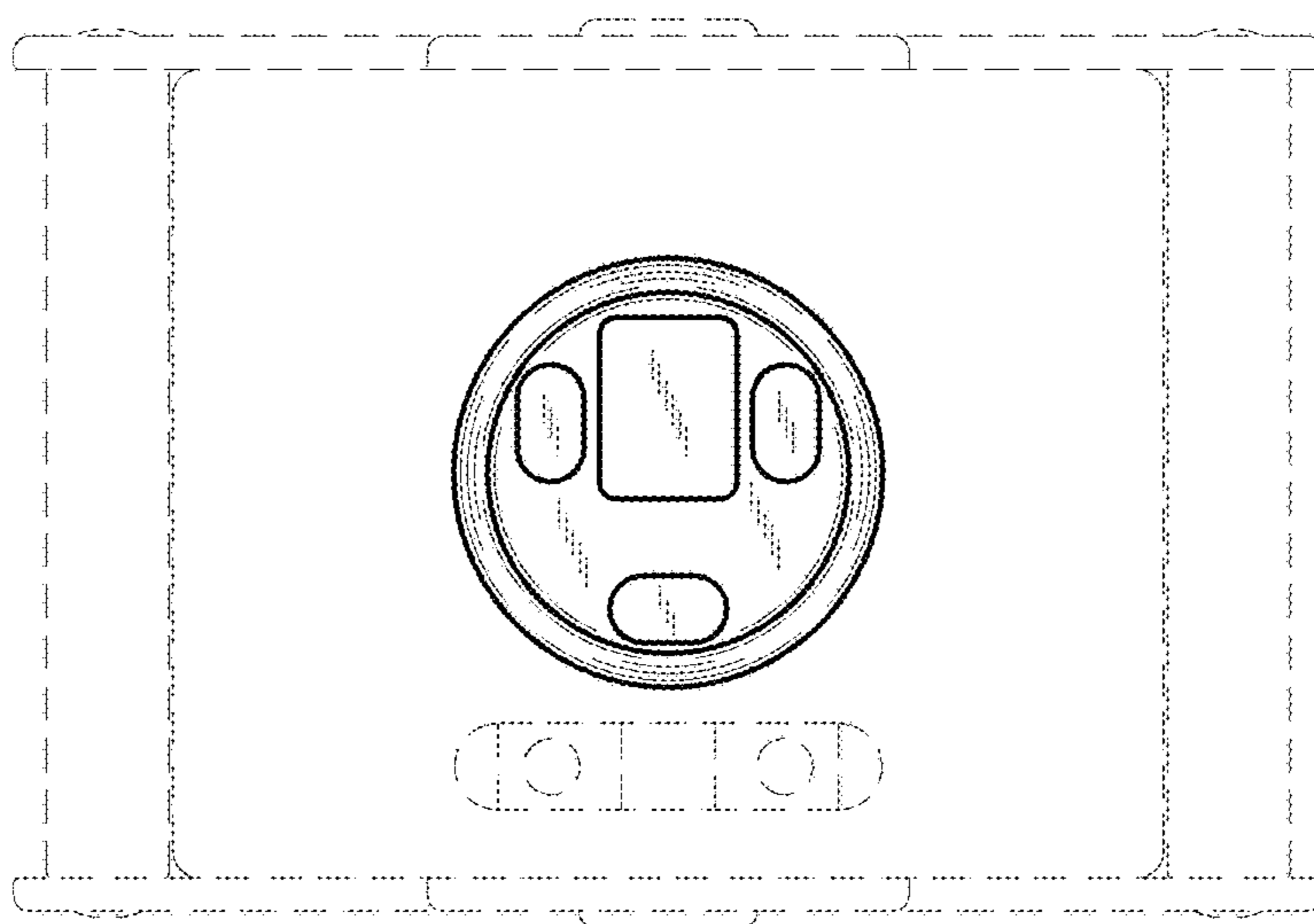


FIG. 3