



US00D799702S

(12) **United States Design Patent** (10) **Patent No.:** **US D799,702 S**
Wong et al. (45) **Date of Patent:** **** Oct. 10, 2017**

(54) **CASE FOR A TWO-POINT DISCRIMINATOR**

(71) Applicants: **Julielynn Yee-Ching Wong**, Toronto (CA); **Jody Mou**, North York (CA)

(72) Inventors: **Julielynn Yee-Ching Wong**, Toronto (CA); **Jody Mou**, North York (CA)

(73) Assignee: **3D4MD Inc.**, Toronto (CA)

(**) Term: **15 Years**

(21) Appl. No.: **29/561,452**

(22) Filed: **Apr. 15, 2016**

(51) **LOC (10) Cl.** **24-02**

(52) **U.S. Cl.**
USPC **D24/186**

(58) **Field of Classification Search**

USPC D24/186, 133, 140, 142, 144; D7/387, D7/619.1-619.2, 624.1-624.3; 220/738, 220/740, 796; D8/354; 600/557
CPC A61B 5/4824; A61B 5/4827; A61B 5/483; A61H 39/08

See application file for complete search history.

(56) **References Cited**

U.S. PATENT DOCUMENTS

6,387,055 B1 *	5/2002	Christy	A61B 5/0057	600/557
D669,985 S *	10/2012	Cheney	D24/140	
D750,467 S *	3/2016	Hill	D8/349	
D775,933 S *	1/2017	Hill	D8/349	
D777,917 S *	1/2017	Kabra	D24/144	
2010/0331723 A1 *	12/2010	Chandrasekar	A61B 5/4827	600/557

* cited by examiner

Primary Examiner — Wan Laymon

Assistant Examiner — Mark Booker

(74) *Attorney, Agent, or Firm* — Sunstein Kann Murphy & Timbers LLP

(57) **CLAIM**

The ornamental design for a case for a two-point discriminator, as shown and described.

DESCRIPTION

FIG. 1 shows a perspective view of a case for a two-point discriminator in accordance with the present invention;

FIG. 2 shows a top view of the case;

FIG. 3 shows a bottom view of the case;

FIG. 4 shows a front view of the case;

FIG. 5 shows a right side view of the case;

FIG. 6 shows a rear view of the case;

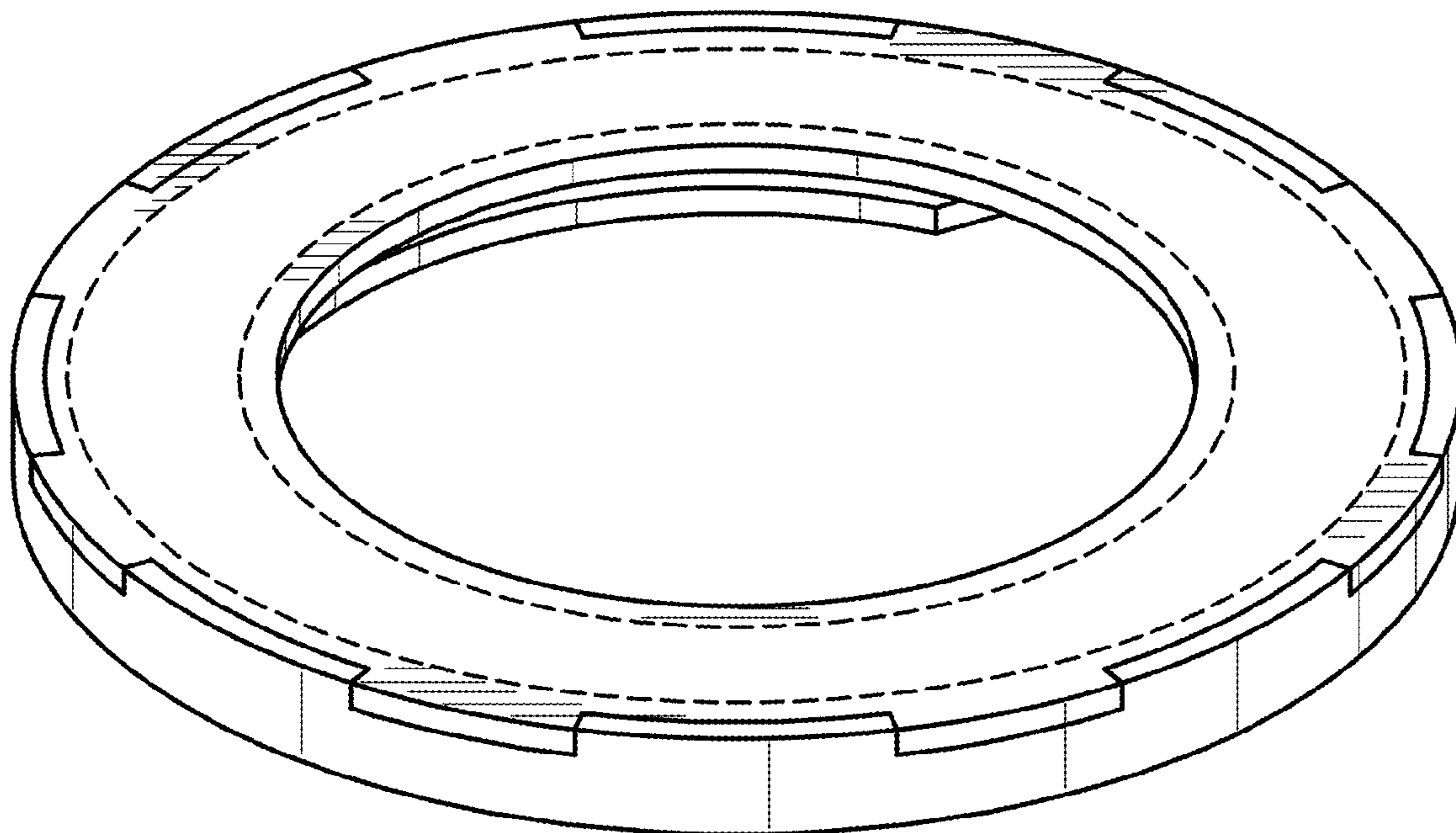
FIG. 7 shows a left side view of the case;

FIG. 8 shows an exploded perspective view of the case showing a lid, a two-point discriminator, and base; and, FIG. 9 shows a top view of the case with the two-point discriminator.

The broken lines shown in the figures represent portions of the case for a two-point discriminator that form no part of the claimed design.

The broken line perimeters seen on surfaces of the case are boundaries of the claimed design. These broken lines and the areas within them also form no part of the claimed design. Surfaces of the case are illustrated with surface shading and contour shading.

1 Claim, 6 Drawing Sheets



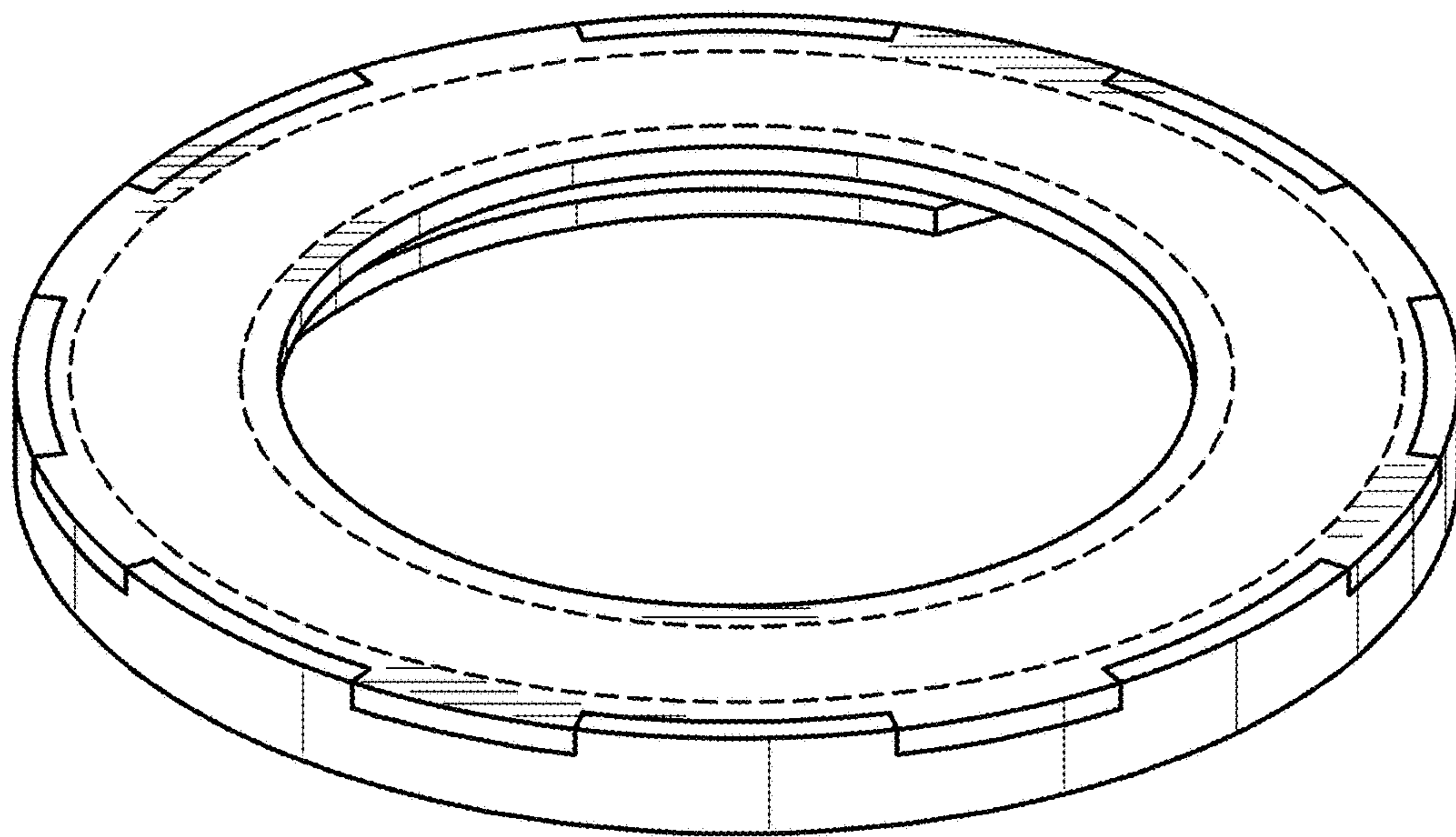


FIG. 1

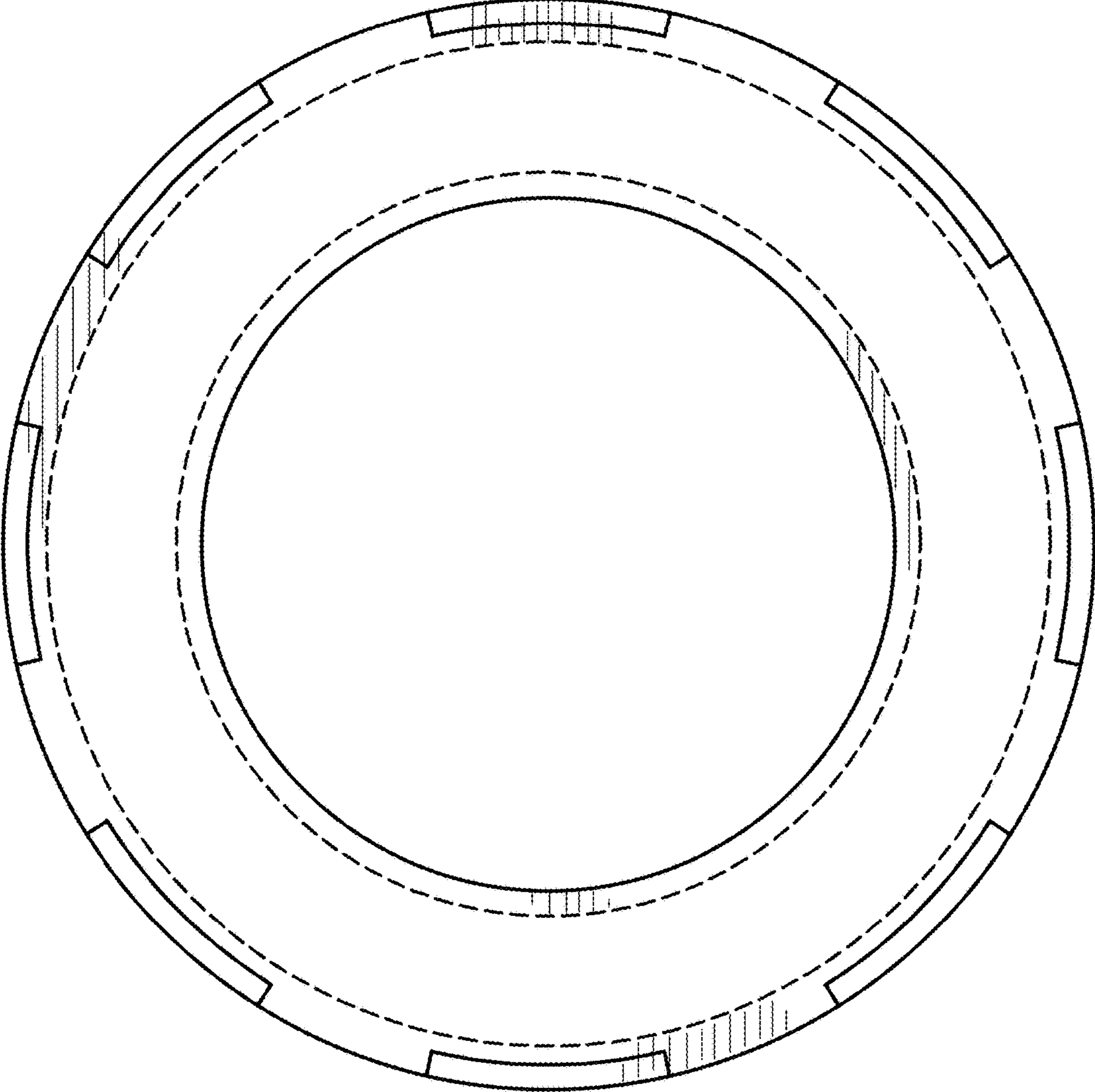


FIG. 2

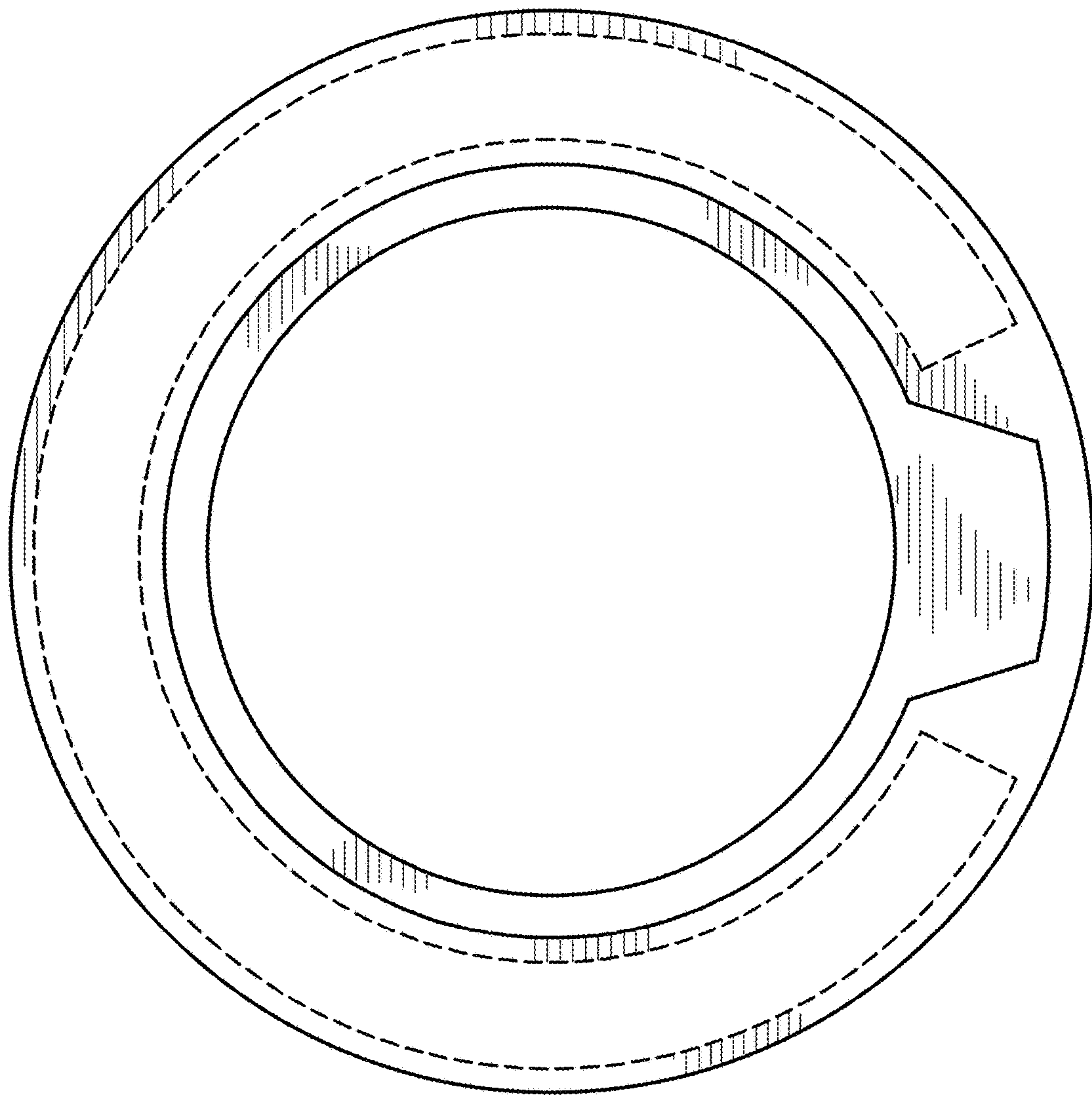


FIG. 3



FIG. 4



FIG. 5



FIG. 6



FIG. 7

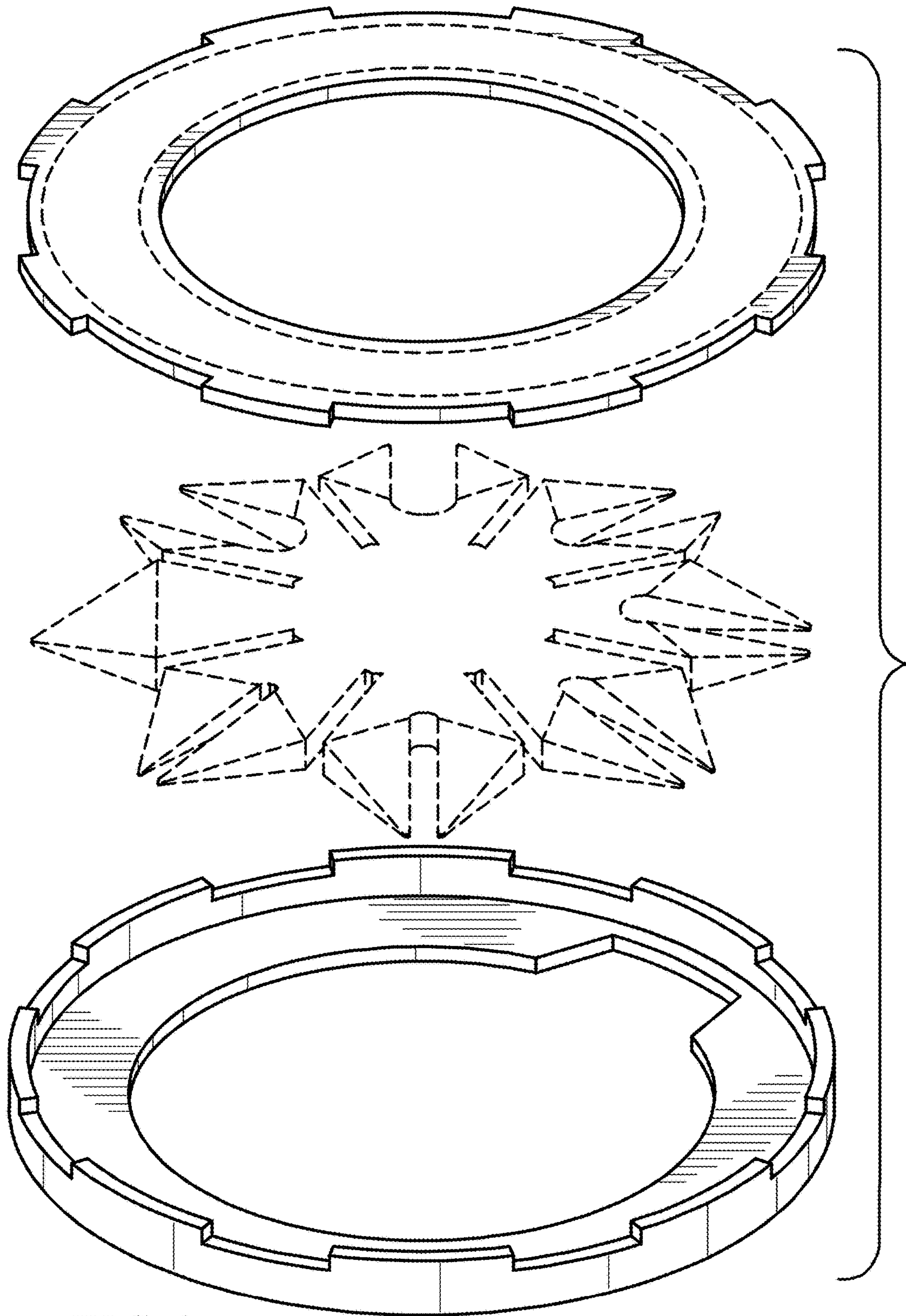


FIG. 8

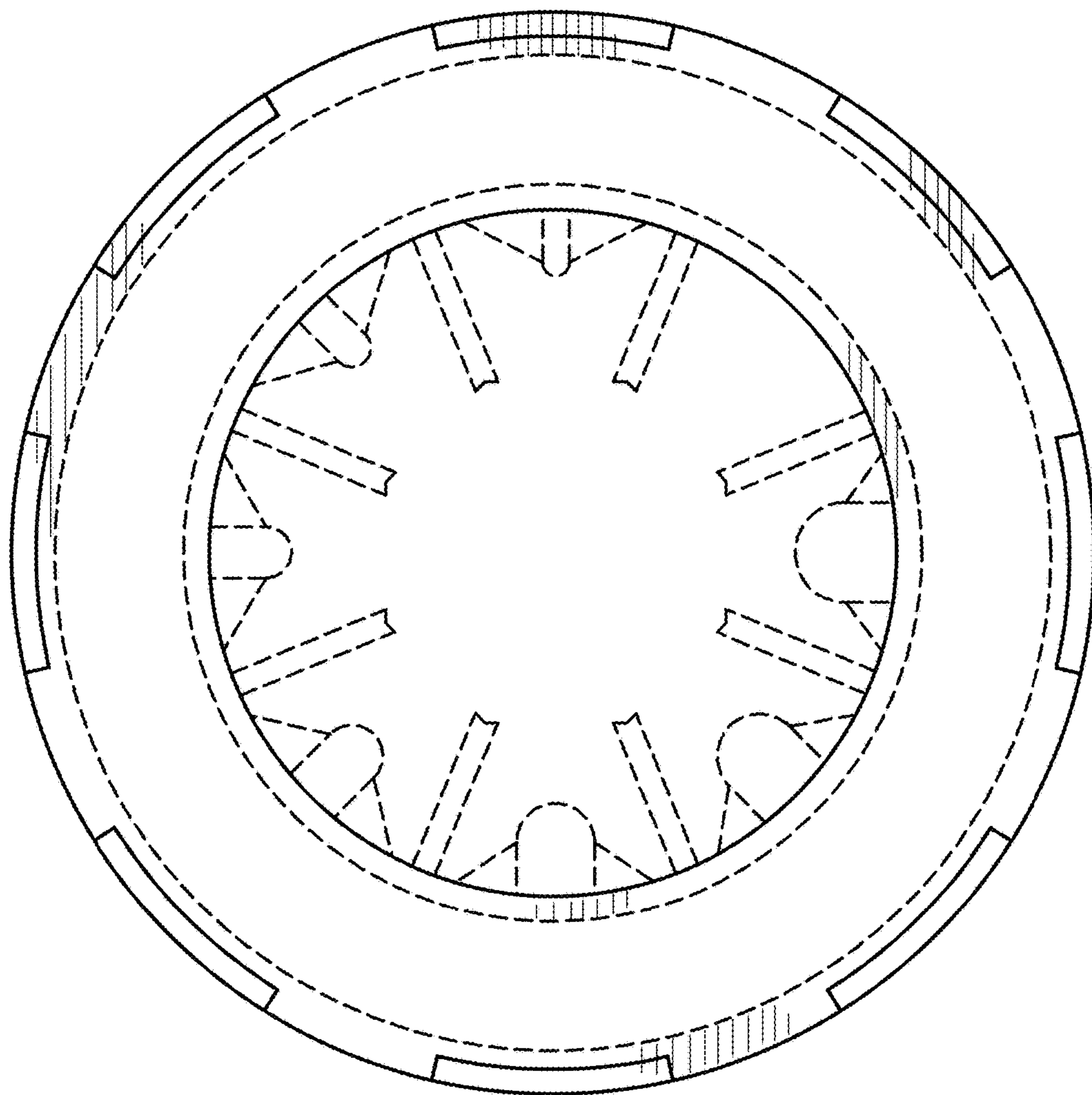


FIG. 9