



US00D799696S

(12) **United States Design Patent** (10) **Patent No.:** **US D799,696 S**  
**Sahhar** (45) **Date of Patent:** **\*\* Oct. 10, 2017**

(54) **HUMAN LUMBAR PUNCTURE ASSIST DEVICE**

(71) Applicant: **Edward Via College of Osteopathic Medicine**, Blacksburg, VA (US)

(72) Inventor: **Hanna S. Sahhar**, Spartanburg, SC (US)

(73) Assignee: **Edward Via Virginia College of Osteopathic Medicine**, Blacksburg, VA (US)

(\*\*) Term: **15 Years**

(21) Appl. No.: **29/530,696**

(22) Filed: **Jun. 18, 2015**

(51) **LOC (10) Cl.** ..... **24-02**

(52) **U.S. Cl.**  
USPC ..... **D24/140**

(58) **Field of Classification Search**  
USPC ..... D24/140, 146, 147, 154, 133; D10/62, D10/65, 70, 71, 74  
CPC ..... A61B 17/3401; A61B 17/3403; A61B 2017/3407; A61M 25/06

See application file for complete search history.

(56) **References Cited**

**U.S. PATENT DOCUMENTS**

D197,936 S *	4/1964	Kroll	.....	D24/140
D282,277 S *	1/1986	Kenna	.....	D24/140
D310,044 S *	8/1990	Alberts	.....	D10/73
D322,851 S *	12/1991	Pilling	.....	D24/140
D357,875 S *	5/1995	Becker	.....	D10/65
D480,978 S *	10/2003	Cardew	.....	D10/65
D568,184 S *	5/2008	Rogell	.....	D10/64
D586,246 S *	2/2009	Rosso	.....	D10/65
D614,515 S *	4/2010	Templin	.....	D10/71
D682,425 S *	5/2013	Nunes	.....	D10/65
D694,883 S *	12/2013	Zamierowski	.....	A61B 5/445 D24/133

(Continued)

**FOREIGN PATENT DOCUMENTS**

EP 2679263 A1 \* 1/2014 ..... A61M 5/427

**OTHER PUBLICATIONS**

Toolmonger. <URL: <http://toolmonger.com/2011/08/25/a-try-squaregolf-pencil-holder/>> Visited Aug. 25, 2011. T-square with golf pencil holder.\*

(Continued)

*Primary Examiner* — Bridget L Eland

*Assistant Examiner* — Lauren McVey

(74) *Attorney, Agent, or Firm* — Tarolli, Sundheim, Covell & Tummino LLP; John A. Yirga, Esq.

(57) **CLAIM**

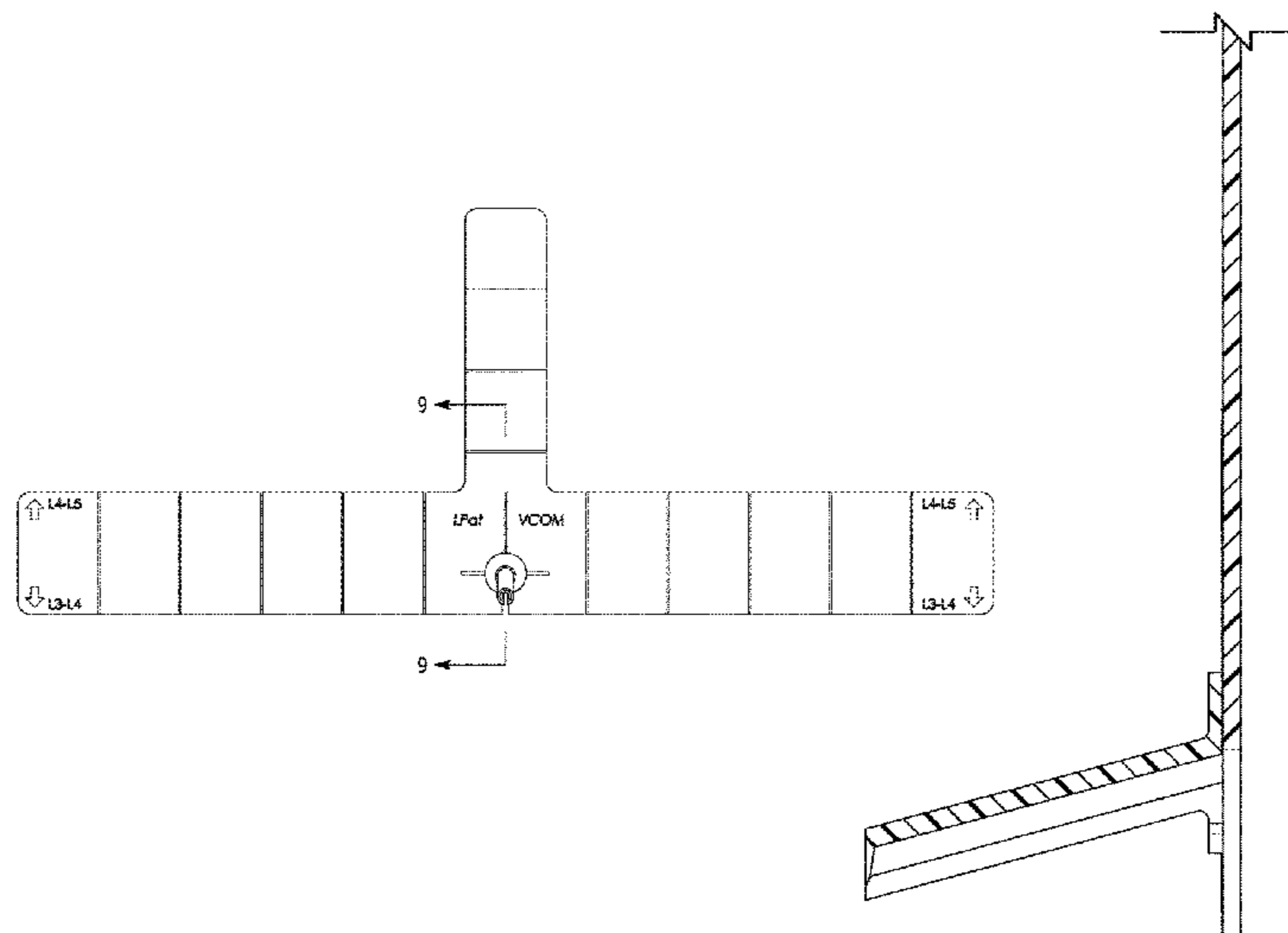
The ornamental design for a human lumbar puncture assist device, as shown and described.

**DESCRIPTION**

FIG. 1 is a front bottom perspective view of a human lumbar puncture assist device, showing my new design; FIG. 2 is a rear top perspective view thereof; FIG. 3 is a front elevation view thereof; FIG. 4 is a rear elevation view thereof; FIG. 5 is a bottom plan view thereof; FIG. 6 is a top plan view thereof; FIG. 7 is a left side elevation view thereof; FIG. 8 is a right side elevation view thereof; and, FIG. 9 is an enlarged cross section view taken in the direction of 9-9 of the FIG. 3 view.

The broken lines in the views are directed to environment and the dot-dot-dash lines and break symbol in FIGS. 3 and 9 are for reference puposes only in order to illustrate the partially enlarged view; the broken lines form no part of the claimed design. The wire frame lines shown throughout the views at the edges are intended to indicate surface contour.

**1 Claim, 6 Drawing Sheets**



(56)

**References Cited**

U.S. PATENT DOCUMENTS

D750,776 S \* 3/2016 Lytle ..... D24/140  
2016/0324539 A1 \* 11/2016 Sahhar ..... A61B 17/3403

OTHER PUBLICATIONS

Amazon UK. <URL: <https://www.amazon.co.uk/Metric%ADPlastiC%ADT%ADSquare%ADSquare%ADDrawing%ADx/dp/B008SNP0YC>> Mar. 15, 2013. Drawing T-square.\*

\* cited by examiner

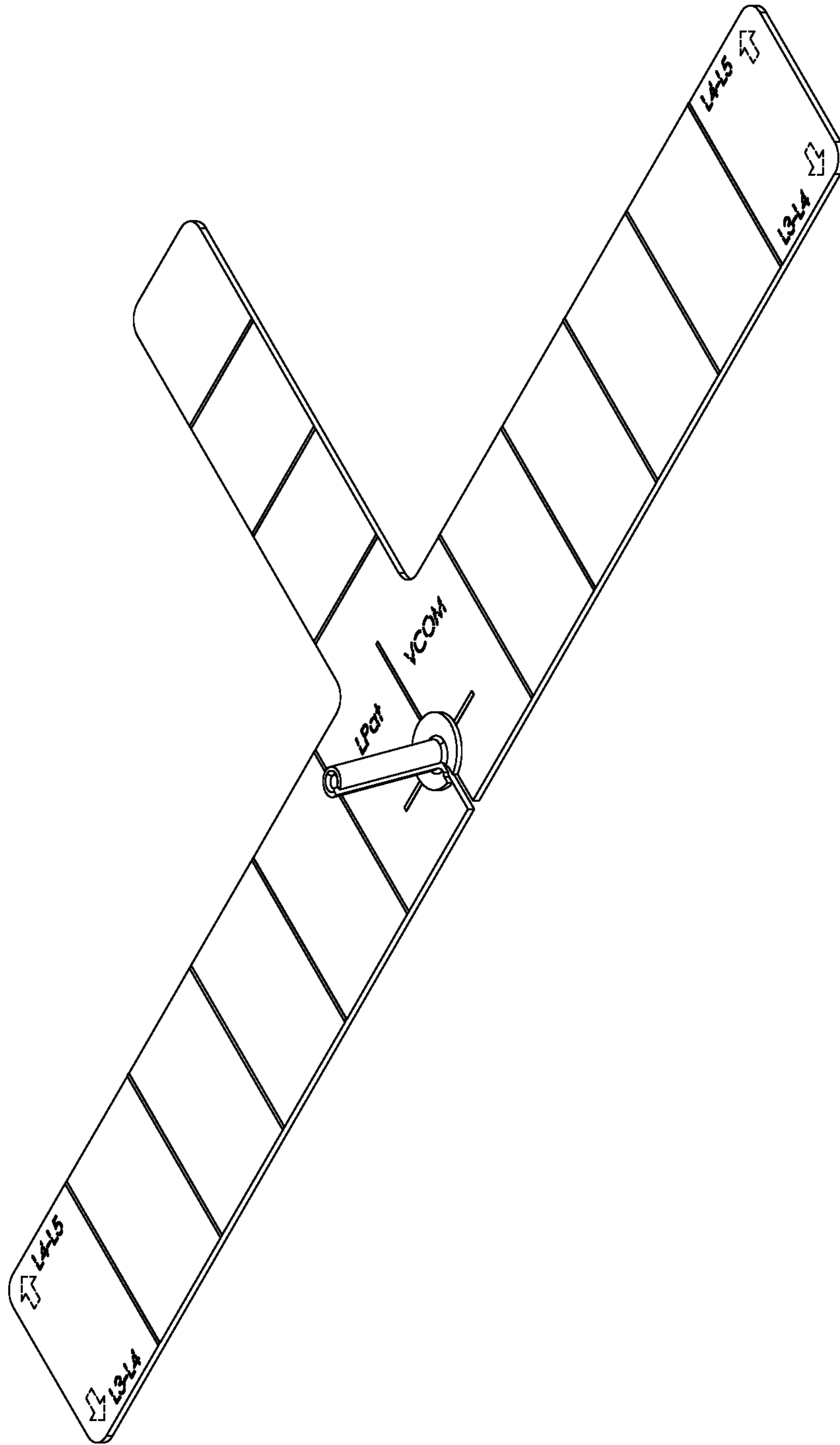


FIG. 1

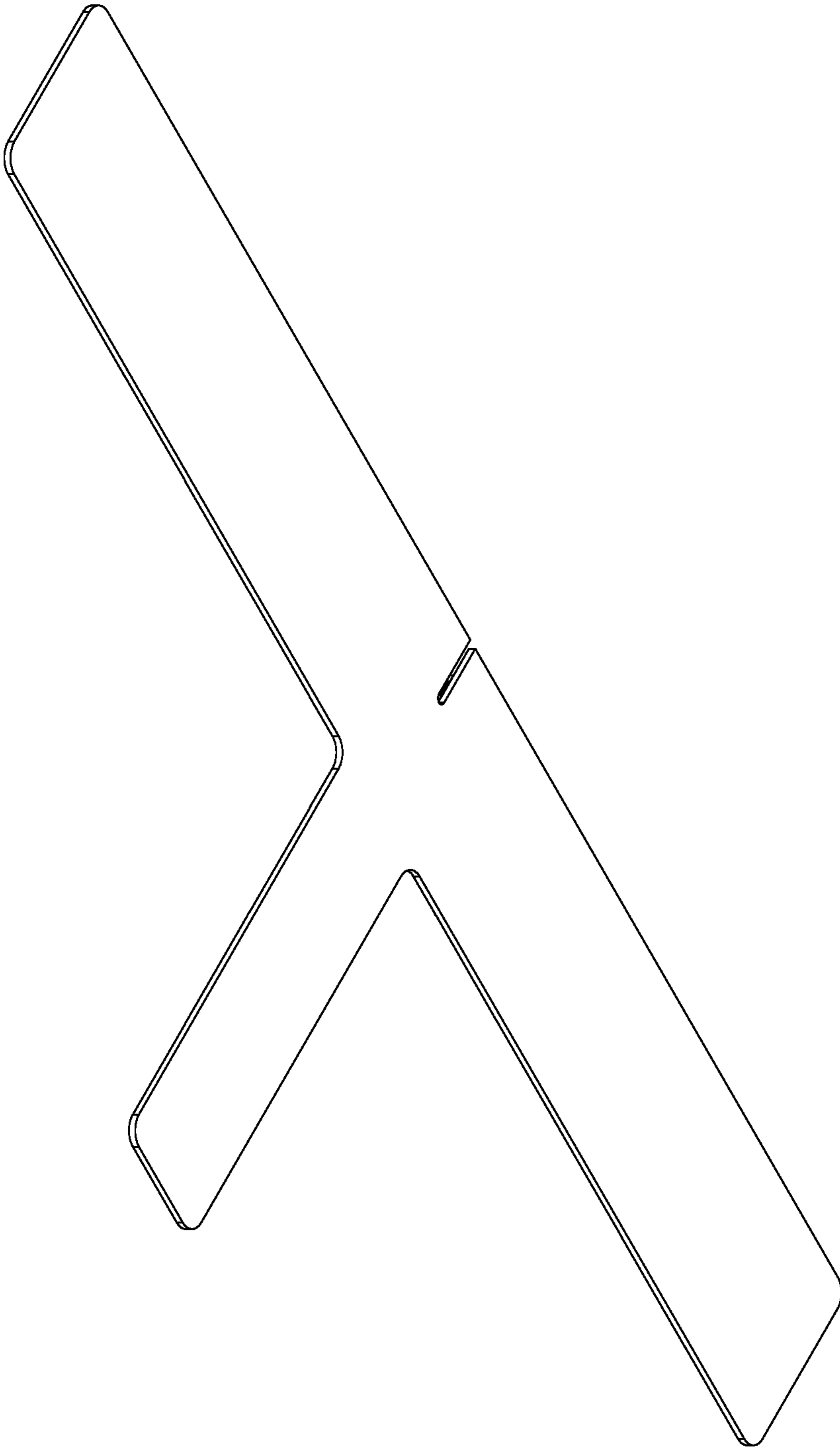


FIG. 2

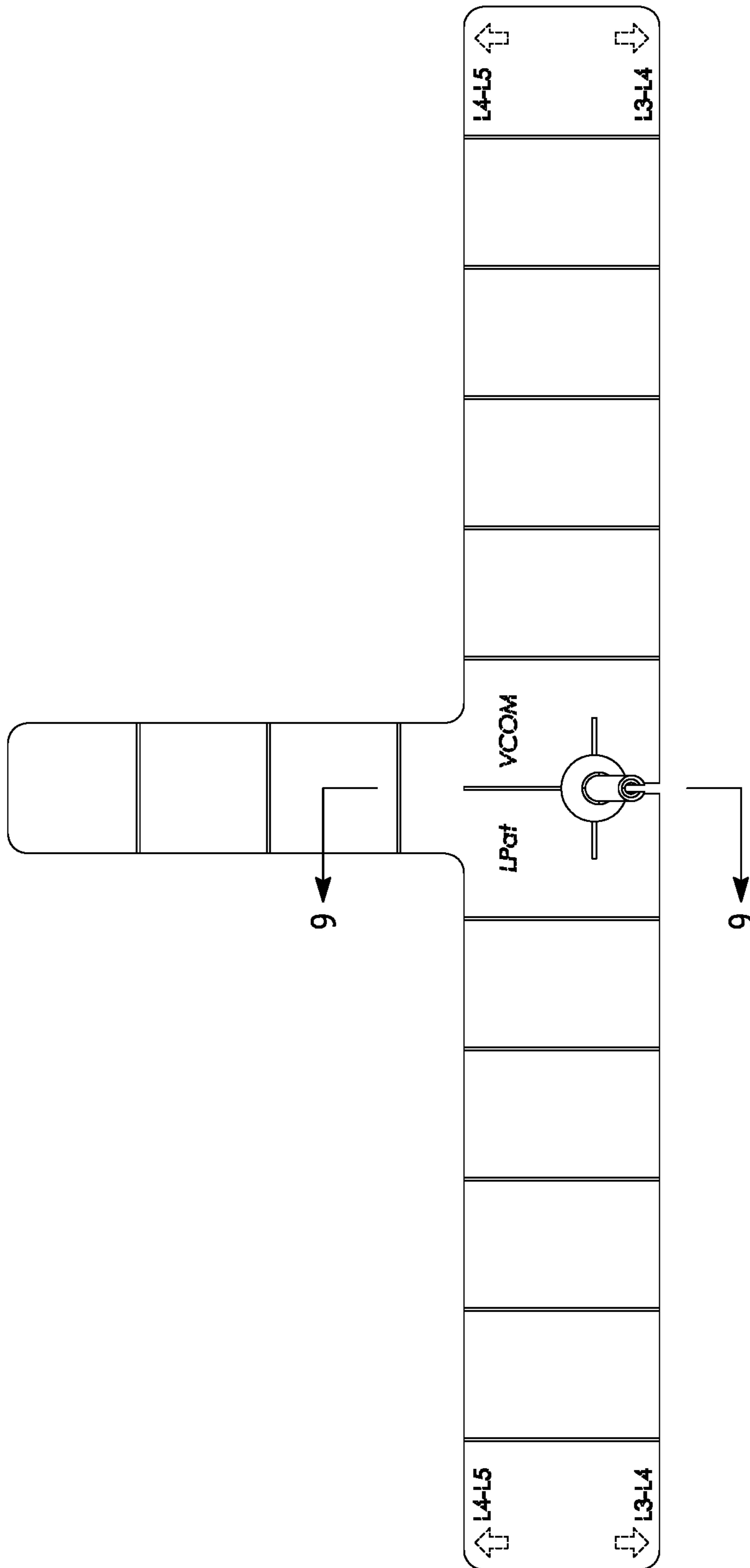


FIG. 3

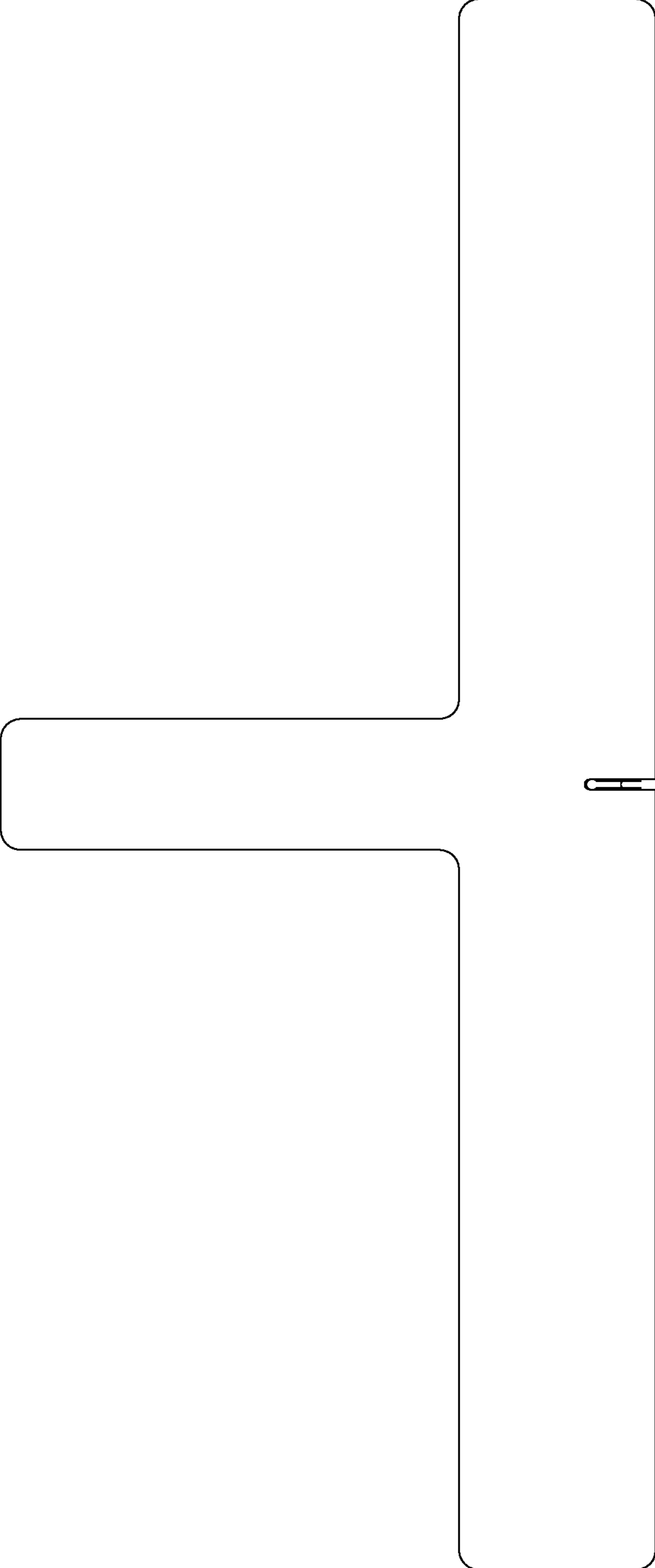


FIG. 4

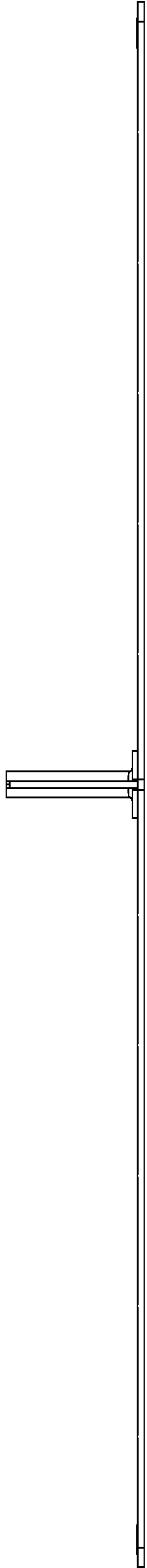


FIG. 5

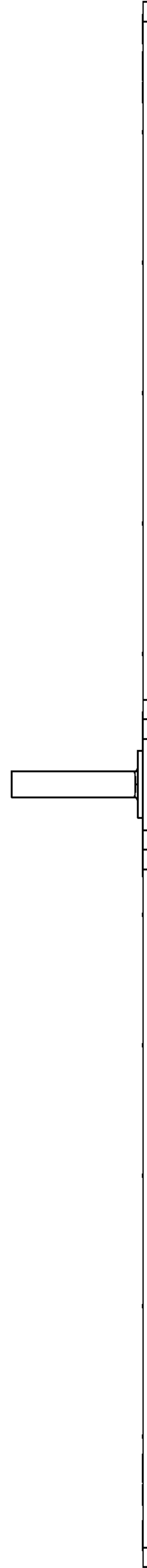


FIG. 6

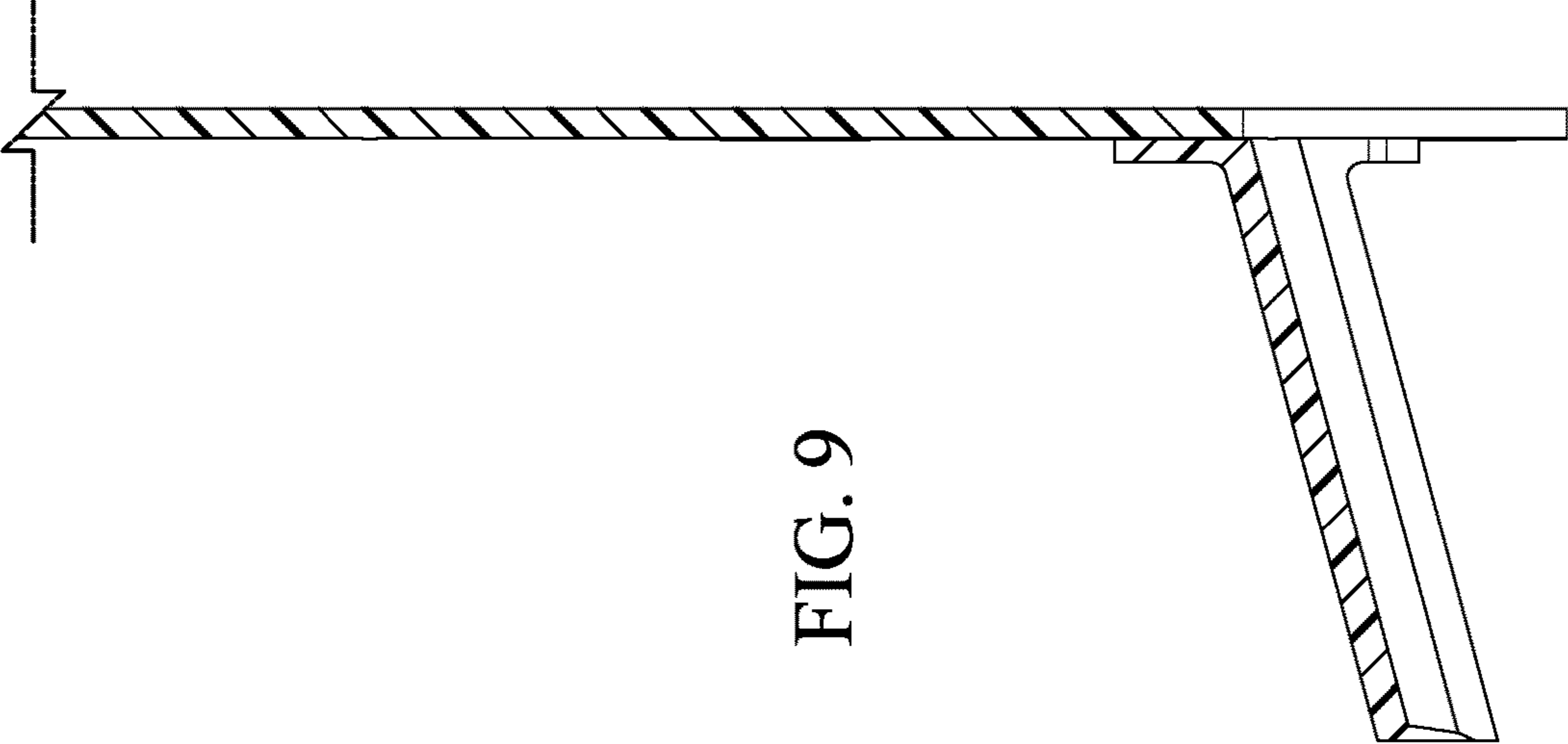


FIG. 9



FIG. 7

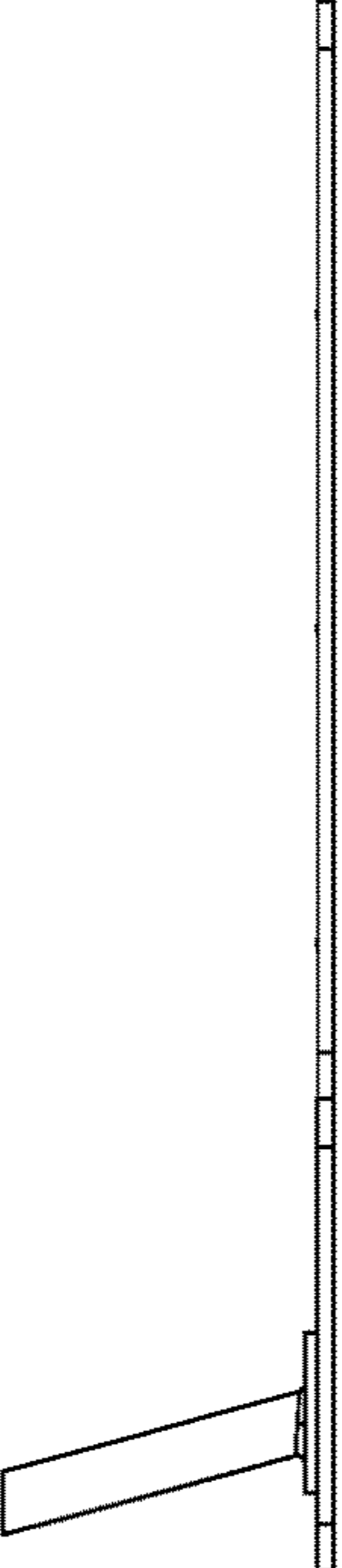


FIG. 8