



US00D799695S

(12) **United States Design Patent**  
**Honein**

(10) **Patent No.:** **US D799,695 S**

(45) **Date of Patent:** **\*\* Oct. 10, 2017**

(54) **HANDRAIL SUPPORT**

(71) Applicant: **Jad Honein**, Seattle, WA (US)

(72) Inventor: **Jad Honein**, Seattle, WA (US)

(\*\*) Term: **15 Years**

(21) Appl. No.: **29/543,710**

(22) Filed: **Oct. 27, 2015**

(51) **LOC (10) Cl.** ..... **24-02**

(52) **U.S. Cl.**  
USPC ..... **D24/134**

(58) **Field of Classification Search**  
USPC ..... D25/126-135; 256/63, 64, 65.01, 65.03,  
256/65.04, 65.05, 65.06

See application file for complete search history.

(56) **References Cited**

U.S. PATENT DOCUMENTS

D205,282 S *	7/1966	Hern	.....	D25/132
3,516,644 A *	6/1970	Horgan, Jr.	.....	E04F 11/1836 256/22
D508,572 S *	8/2005	Suggate	.....	D25/134
D543,287 S *	5/2007	Neuhofer, Jr.	.....	D25/135
D687,170 S *	7/2013	Kovalchick	.....	D25/126
D695,424 S *	12/2013	Dionne	.....	D25/126
D718,241 S *	11/2014	Gretz	.....	D13/139.5
D739,960 S *	9/2015	Britton	.....	D25/126

D740,367 S *	10/2015	White	.....	D20/41
2015/0204105 A1 *	7/2015	Honein	.....	E04F 11/1834 256/65.07
2015/0247342 A1 *	9/2015	Honein	.....	E04F 11/1834 256/65.03

\* cited by examiner

*Primary Examiner* — Thomas Johannes

*Assistant Examiner* — Samantha Q Lawrence

(74) *Attorney, Agent, or Firm* — Seed IP Law Group LLP

(57) **CLAIM**

The ornamental design for a handrail support, substantially as shown and described.

**DESCRIPTION**

FIG. 1 is an isometric view of a handrail support showing my new design.

FIG. 2 is an enlarged front view of the handrail support of FIG. 1.

FIG. 3 is a back elevational view thereof.

FIG. 4 is a left elevational view thereof.

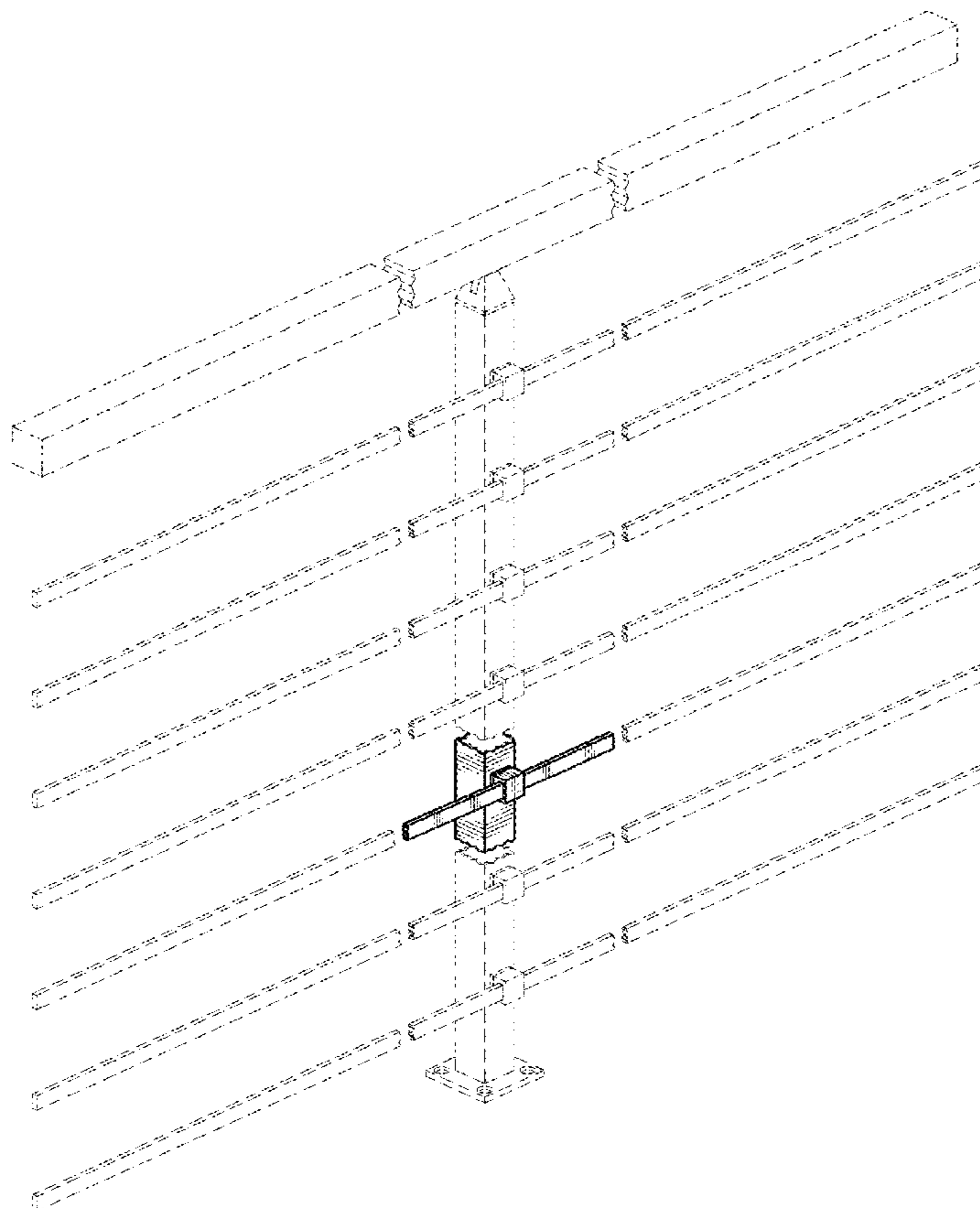
FIG. 5 is a right elevational view thereof.

FIG. 6 is a top plan view thereof; and,

FIG. 7 is a bottom plan view thereof.

The broken lines shown in FIGS. 1-7 illustrate environment and form no part of the claimed design.

**1 Claim, 5 Drawing Sheets**



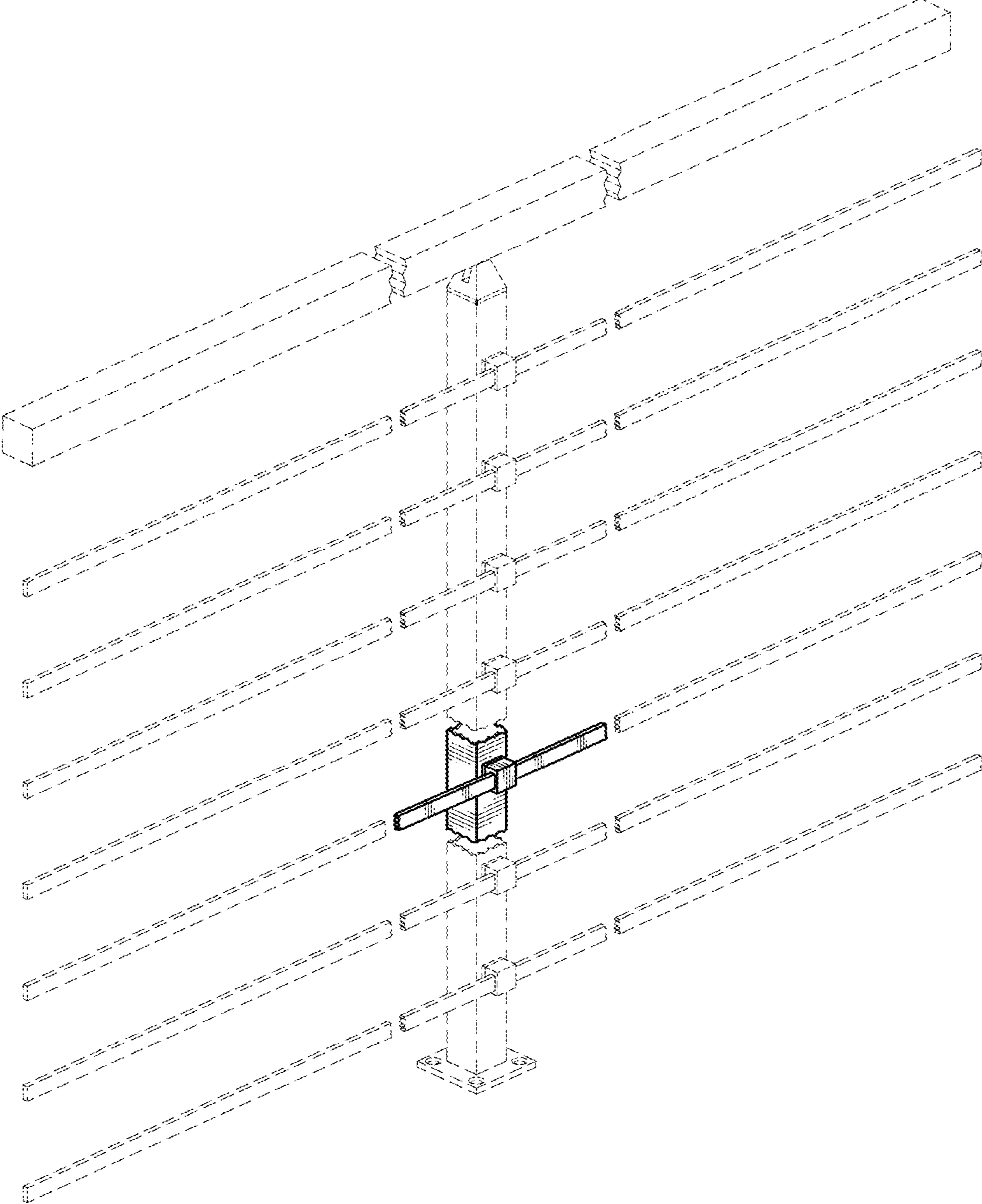


FIG. 1

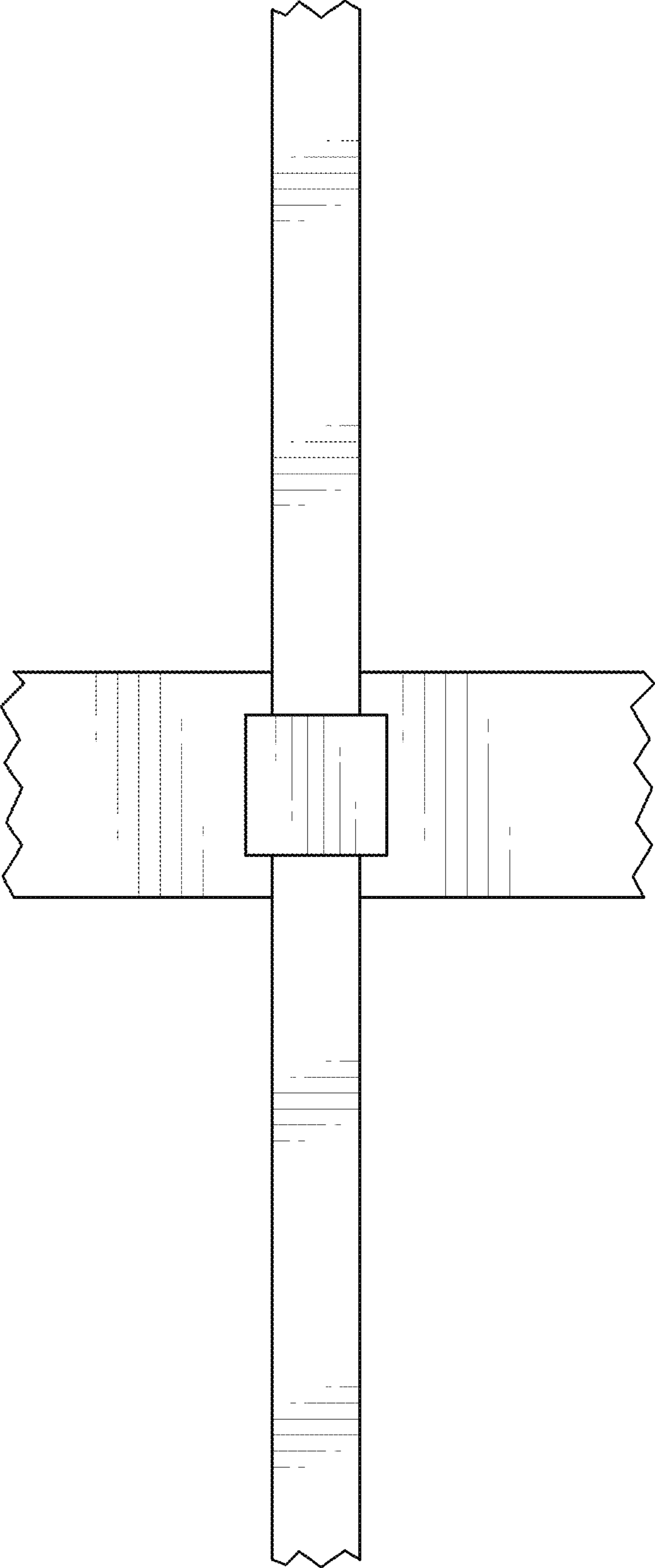


FIG. 2

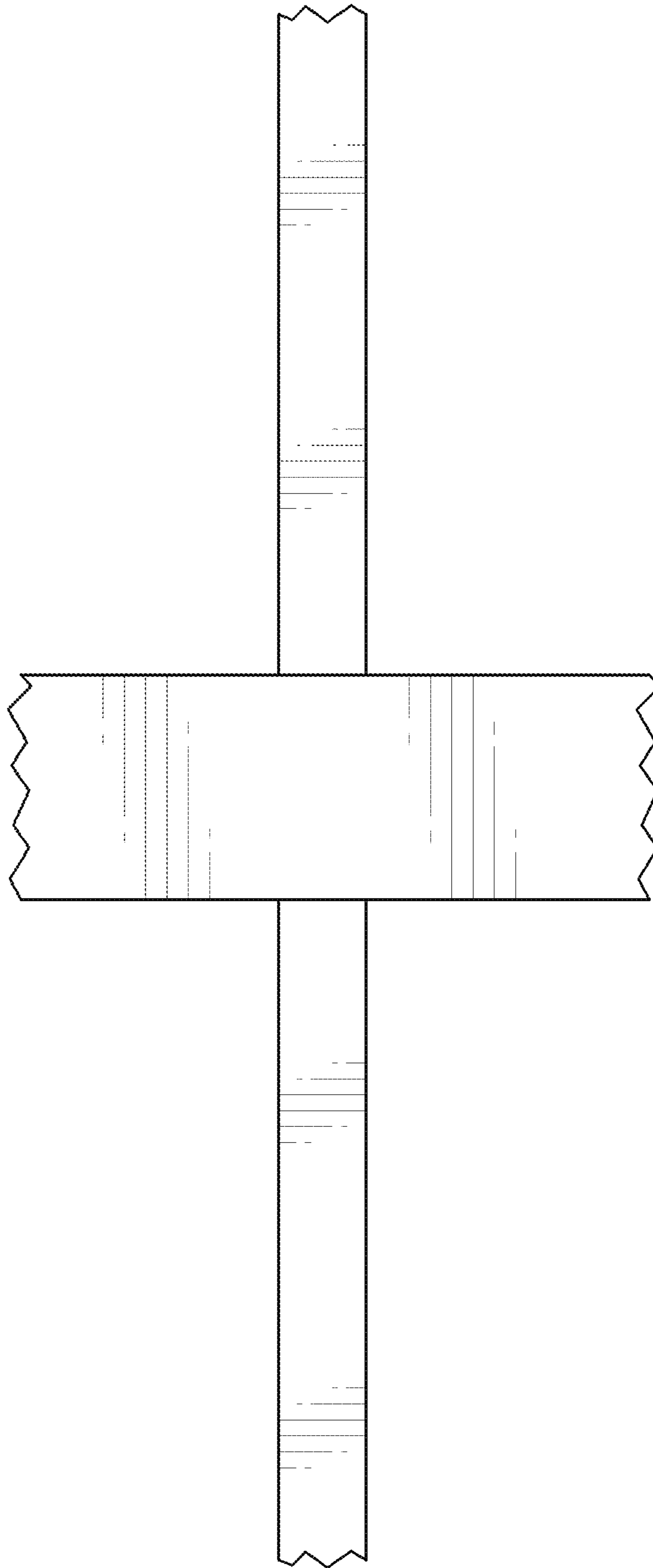


FIG. 3

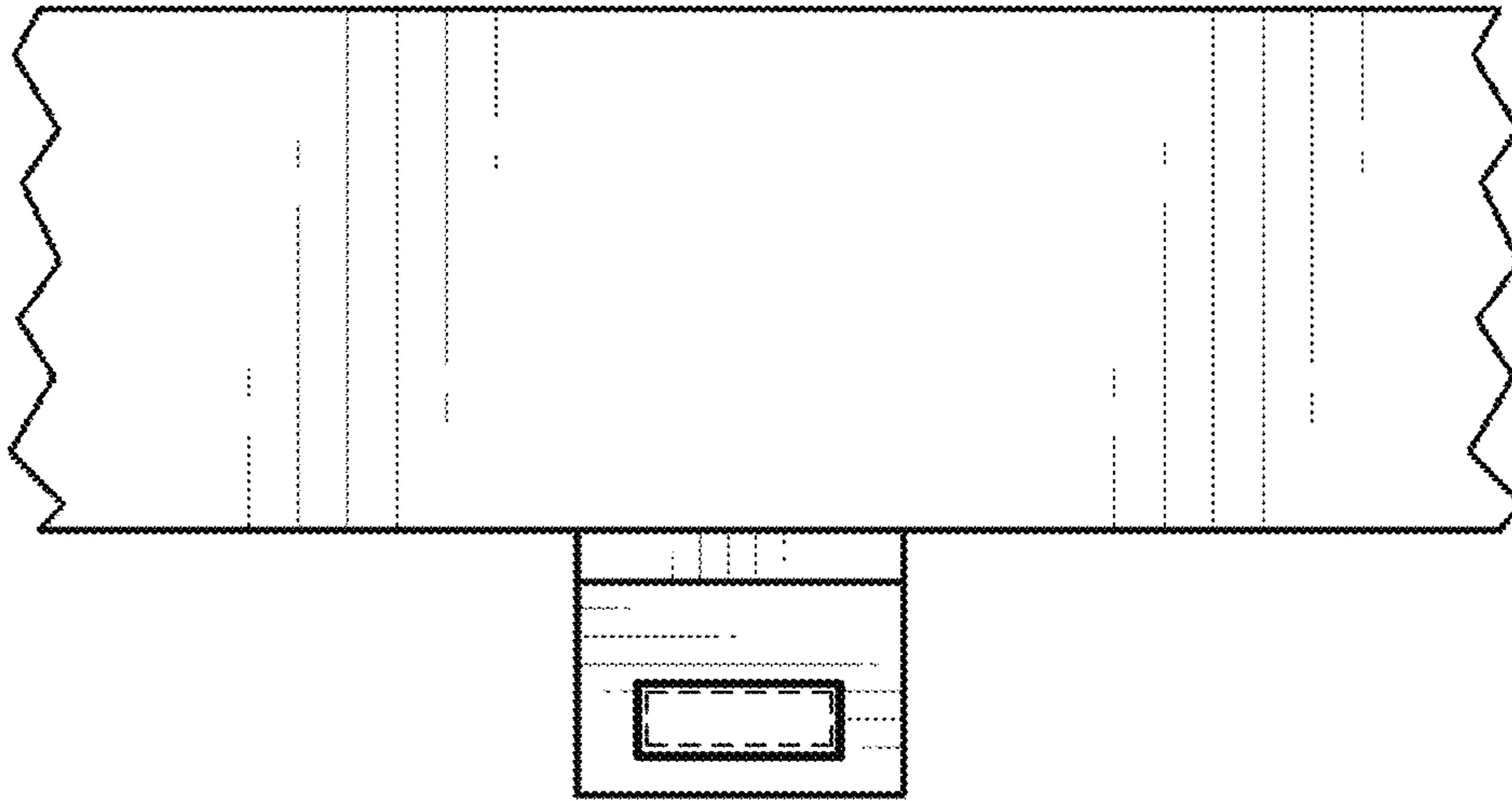


FIG. 5

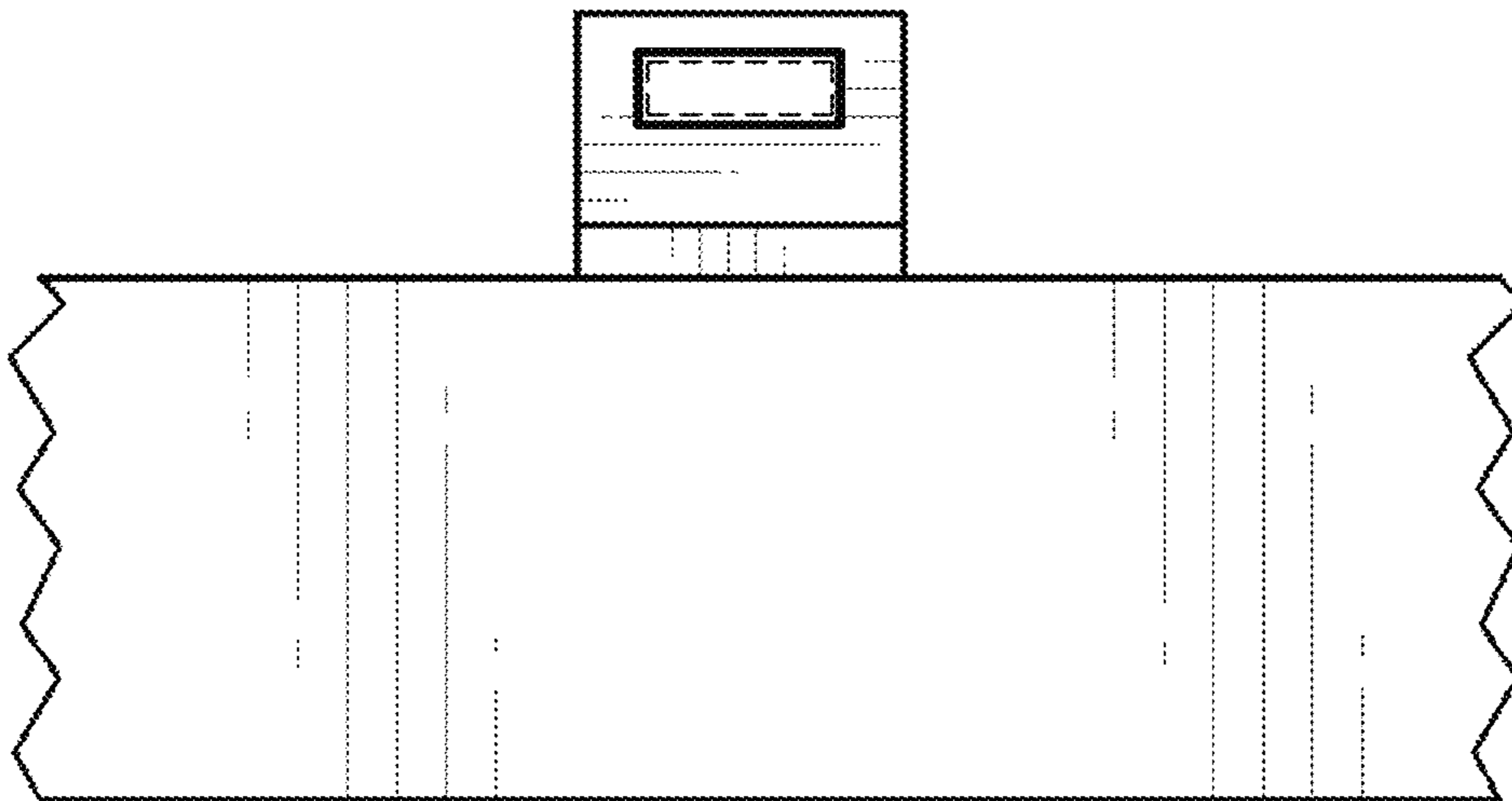


FIG. 4

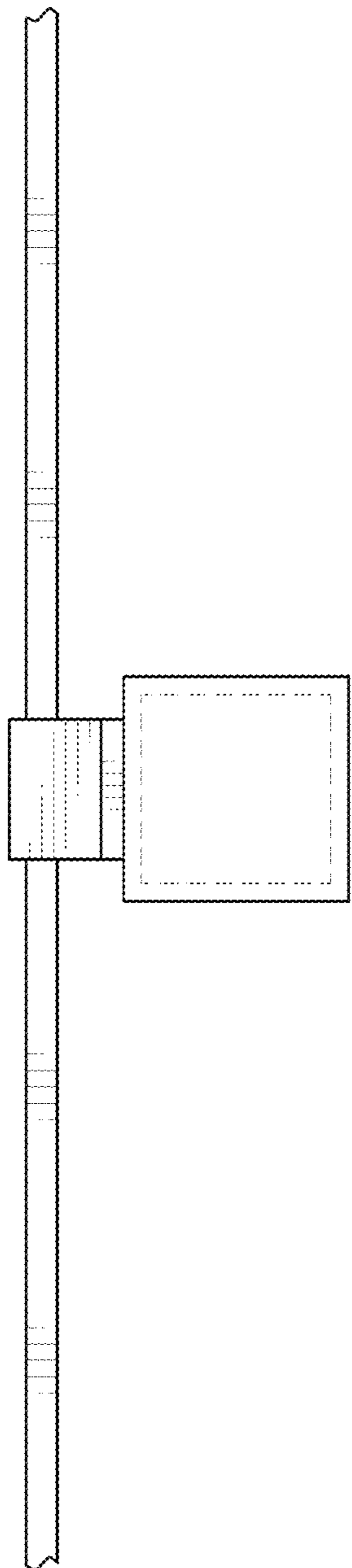


FIG. 6

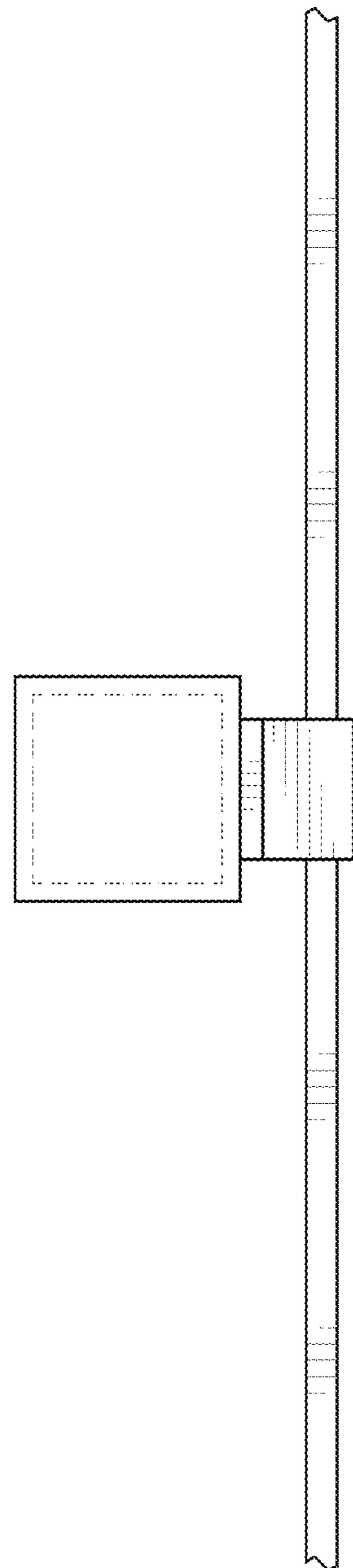


FIG. 7