

US00D799693S

(12) **United States Design Patent** (10) **Patent No.:** **US D799,693 S**
Mueller et al. (45) **Date of Patent:** **** Oct. 10, 2017**

(54) **BOTTLE HOLDER FOR A MODULAR FILLING STATION FOR FILLING SYRINGES**

Primary Examiner — David Muller
(74) *Attorney, Agent, or Firm* — John H. Thomas, P.C.

(71) Applicant: **Coltene/Whaledent GmbH & Co. KG**,
Langenau (DE)

(57) **CLAIM**
The ornamental design for a bottle holder for a modular filling station for filling syringes, as shown and described.

(72) Inventors: **Barbara Mueller**, Langenau (DE);
Martin Schlueter, Wangen (DE);
Johannes Wolfert, Langweid (DE);
Werner Mannschedel, Langenau (DE)

DESCRIPTION

(73) Assignee: **Coltene/Whaledent GmbH & Co. KG**,
Langenau (DE)

FIG. 1 is a top front perspective view of the bottle holder of the modular filling station of the invention.

(**) Term: **15 Years**

FIG. 2 is a left side view of the bottle holder of the modular filling station, the right side view being a mirror image thereto.

(21) Appl. No.: **29/553,076**

FIG. 3 is a top rear perspective view of the bottle holder of the modular filling station.

(22) Filed: **Jan. 28, 2016**

FIG. 4 is a top view of the bottle holder of the modular filling station.

(51) **LOC (10) Cl.** **24-02**

FIG. 5 is a bottom view of the bottle holder of the modular filling station.

(52) **U.S. Cl.**
USPC **D24/128**

FIG. 6 is a front view of the bottle holder of the modular filling station.

(58) **Field of Classification Search**
USPC D24/121, 123, 224, 128; 604/317-325;
141/27, 320, 322

FIG. 7 is a bottom front perspective view of the bottle holder of the modular filling station.

(Continued)

FIG. 8 is a rear view of the bottle holder of the modular filling station; and,

(56) **References Cited**

FIG. 9 is a bottom rear perspective view of the bottle holder of the modular filling station.

U.S. PATENT DOCUMENTS

The dashed lines in FIGS. 1, 3 and 5-9 represent the fastener holes in the bottom and back of the bottle holder and form no part of the claimed design.

3,840,011 A * 10/1974 Wright A61M 5/1782
141/376
6,056,135 A * 5/2000 Widman A61J 1/18
215/247

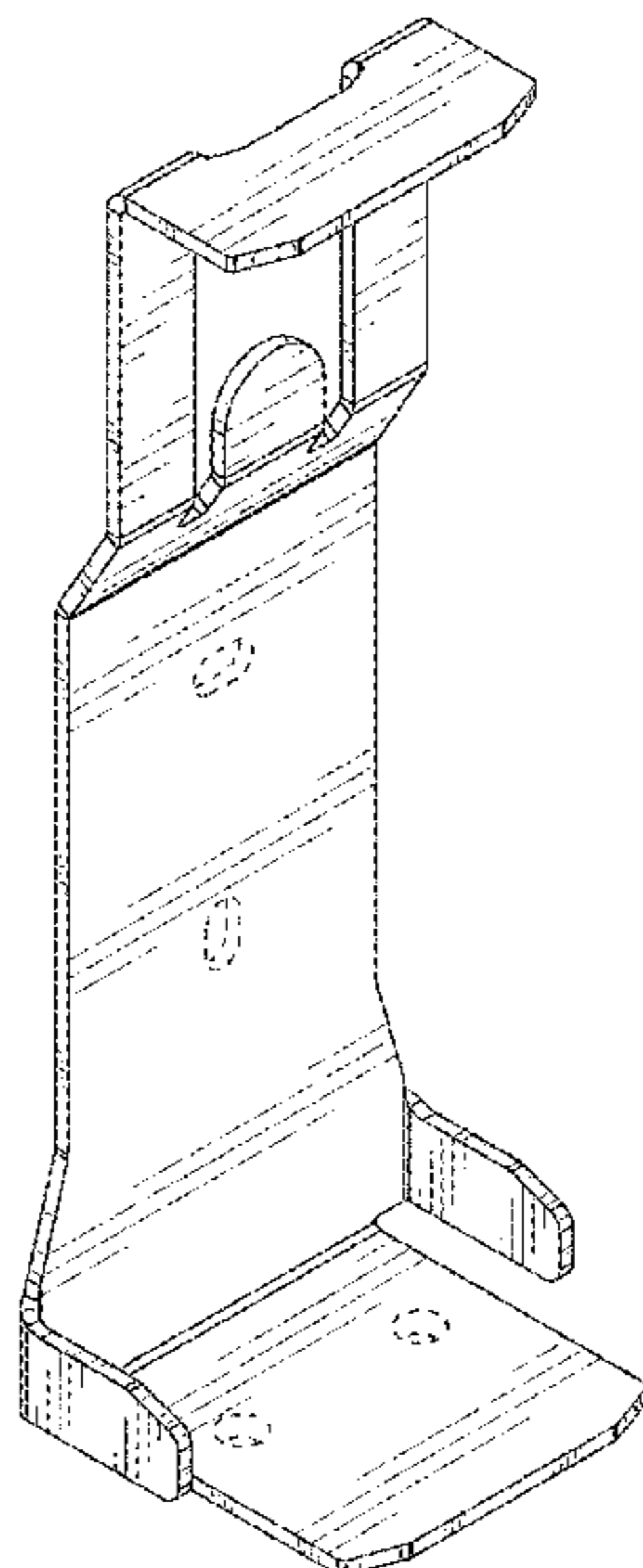
The claimed bottle holder for a modular filling station is for use in filling a syringe, in particular in dental applications. The modular filling station includes a dispenser head, a bottle holder, which can be used in combination with any suitable bottle or container containing, e.g., an irrigation solution, and a base. The modular filling station of the invention protects against contamination and allows for time-saving one-hand use without loss of material.

(Continued)

FOREIGN PATENT DOCUMENTS

DE 202012007582 11/2013
DE 102013012353 3/2014

1 Claim, 8 Drawing Sheets



(58) **Field of Classification Search**

CPC A61J 1/2096; A61J 1/2037; A61M 5/1782;
B65D 41/04; B65D 2251/023; B65D
41/0485; B65D 41/3428

See application file for complete search history.

(56) **References Cited**

U.S. PATENT DOCUMENTS

| | | | | |
|-----------|------|---------|------------------|------------------------|
| 6,701,976 | B1 * | 3/2004 | Toraishi | A61M 5/31535 141/21 |
| D599,012 | S * | 8/2009 | Falbaum | D24/121 |
| 7,703,483 | B2 * | 4/2010 | Hartman | B65B 3/003 141/27 |
| 8,225,824 | B2 * | 7/2012 | Eliuk | B65B 3/003 141/192 |
| 8,403,008 | B2 * | 3/2013 | Bouix | A45D 34/04 141/23 |
| 8,671,994 | B2 | 3/2014 | Pond et al. | 141/27 |
| 8,978,935 | B2 * | 3/2015 | Heatley | B65D 83/32 141/18 |
| 9,352,312 | B2 * | 5/2016 | Grover | B01L 3/502 |
| 9,387,151 | B2 * | 7/2016 | Davidian | A61M 5/31591 |
| 9,433,726 | B2 * | 9/2016 | Creaturo | A61M 5/1409 |
| 9,456,956 | B1 * | 10/2016 | Webster | A61J 1/2096 |
| 9,539,241 | B2 * | 1/2017 | Timm | A61K 31/407 |

* cited by examiner

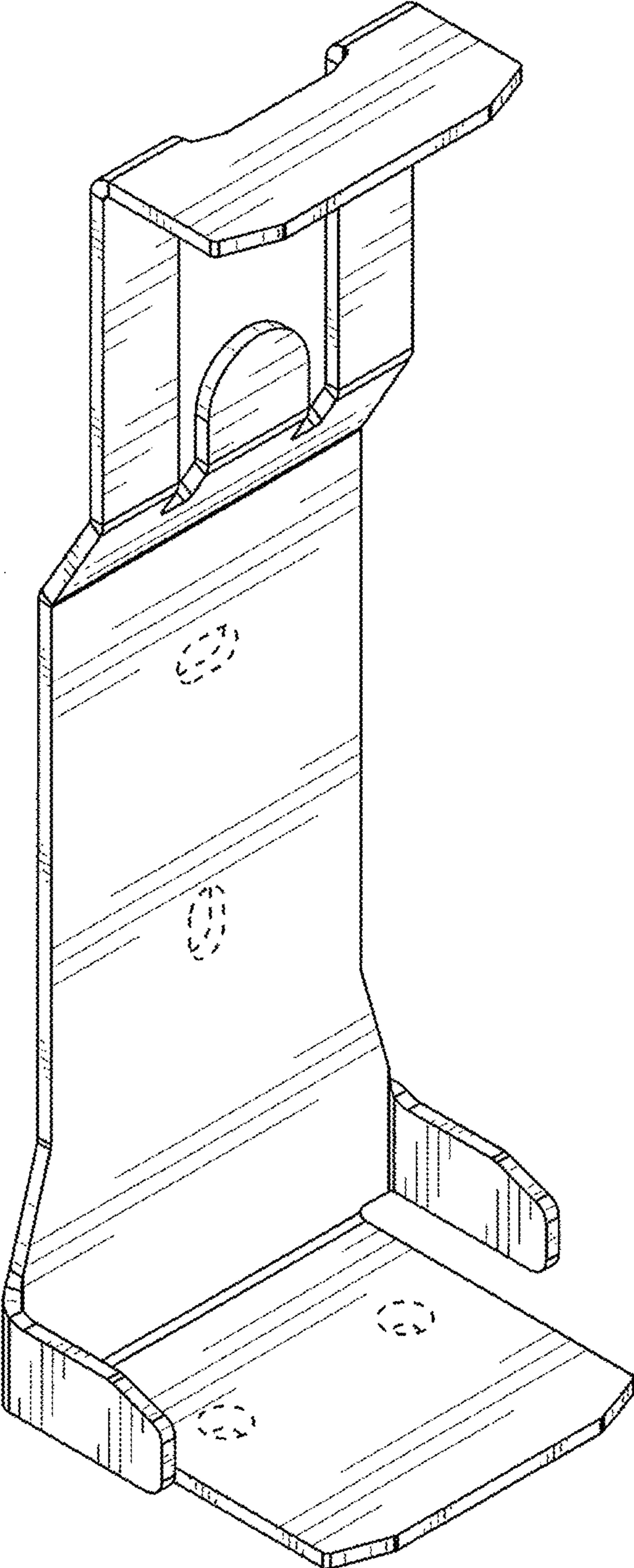


FIG. 1

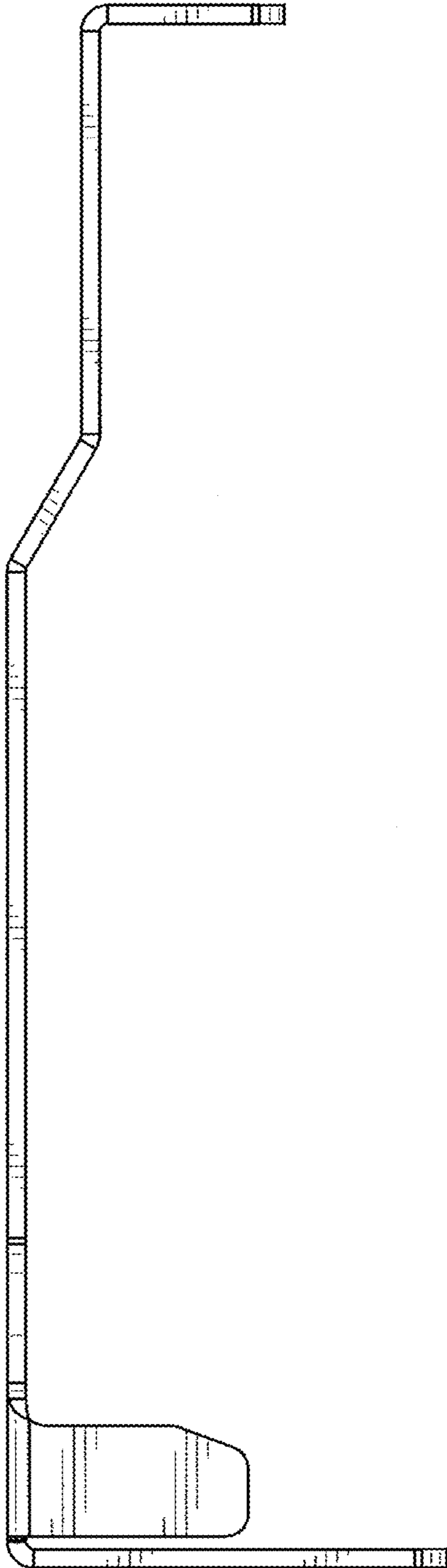


FIG. 2

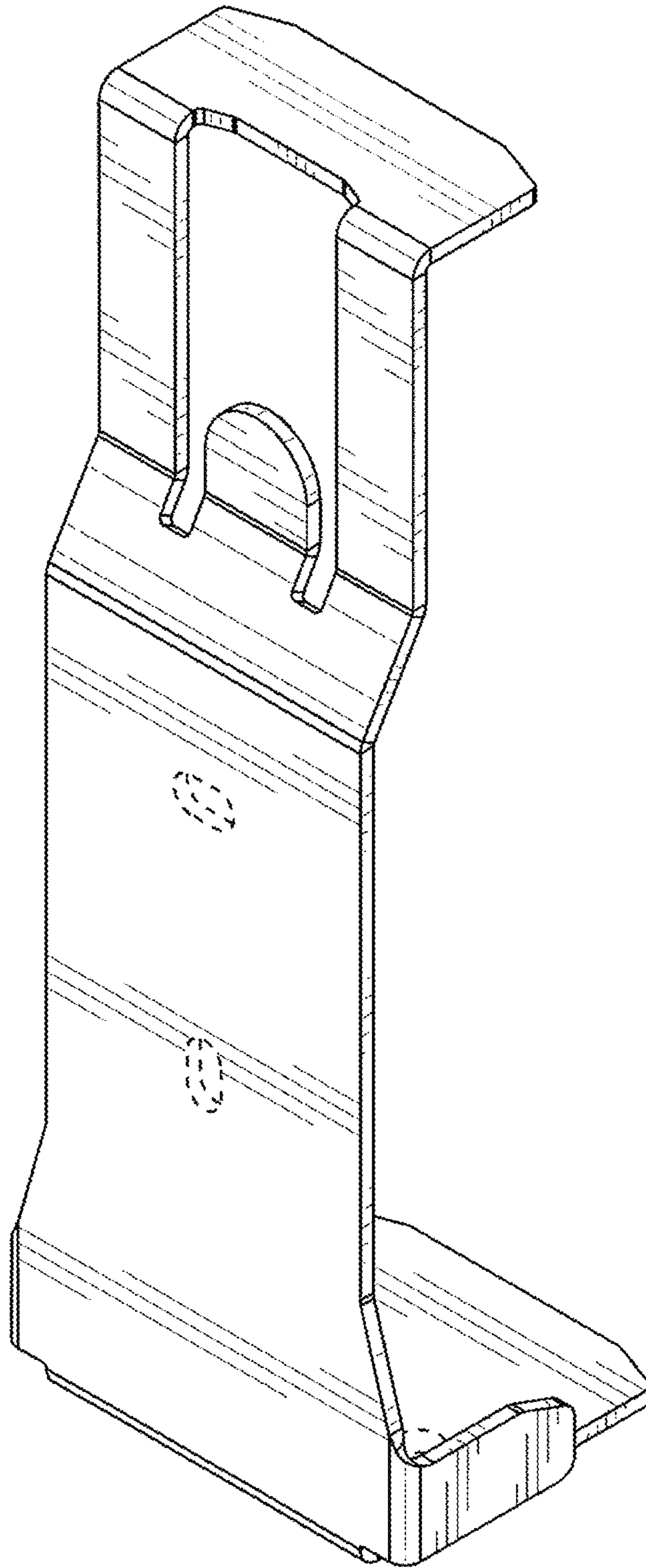


FIG. 3

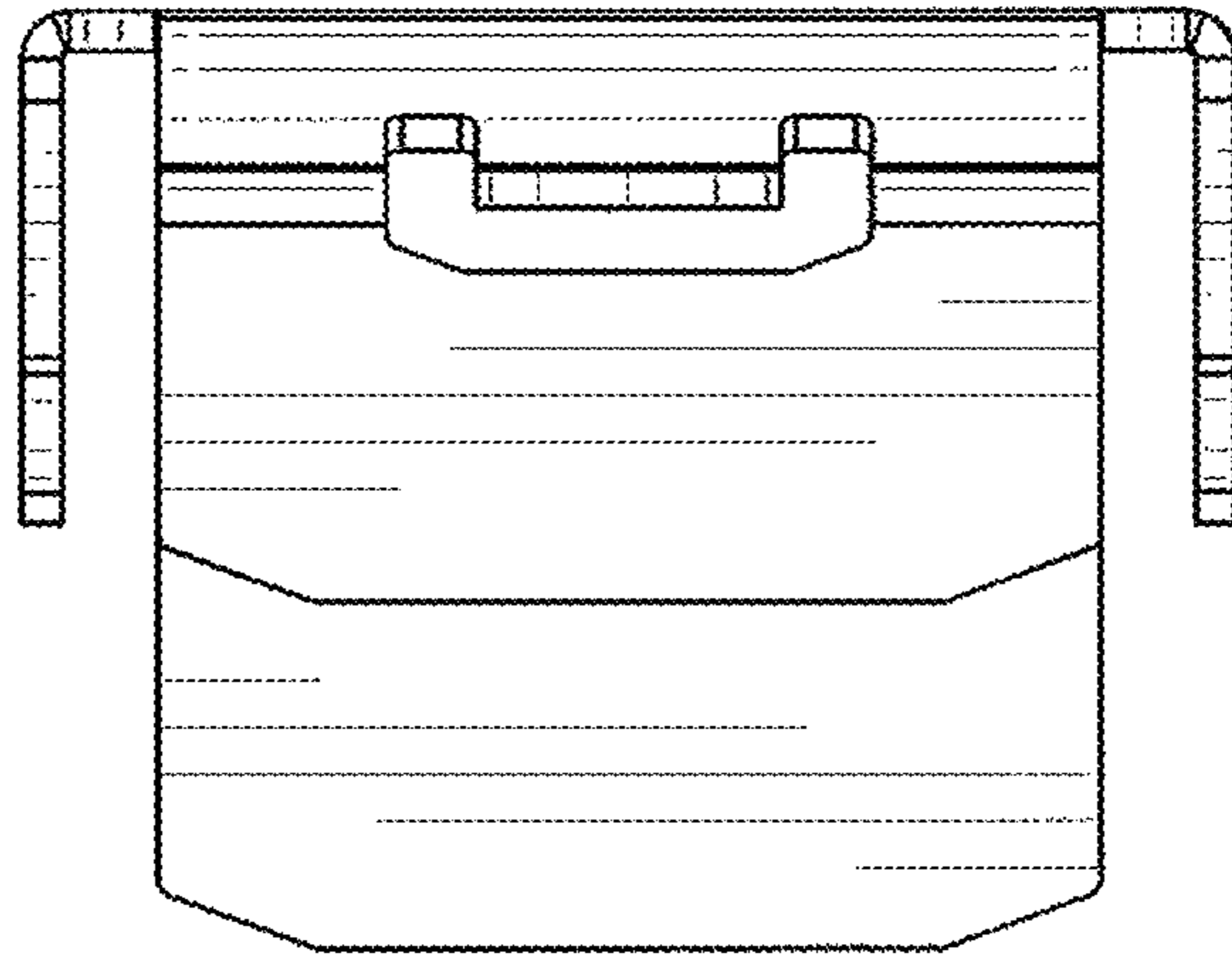


FIG. 4

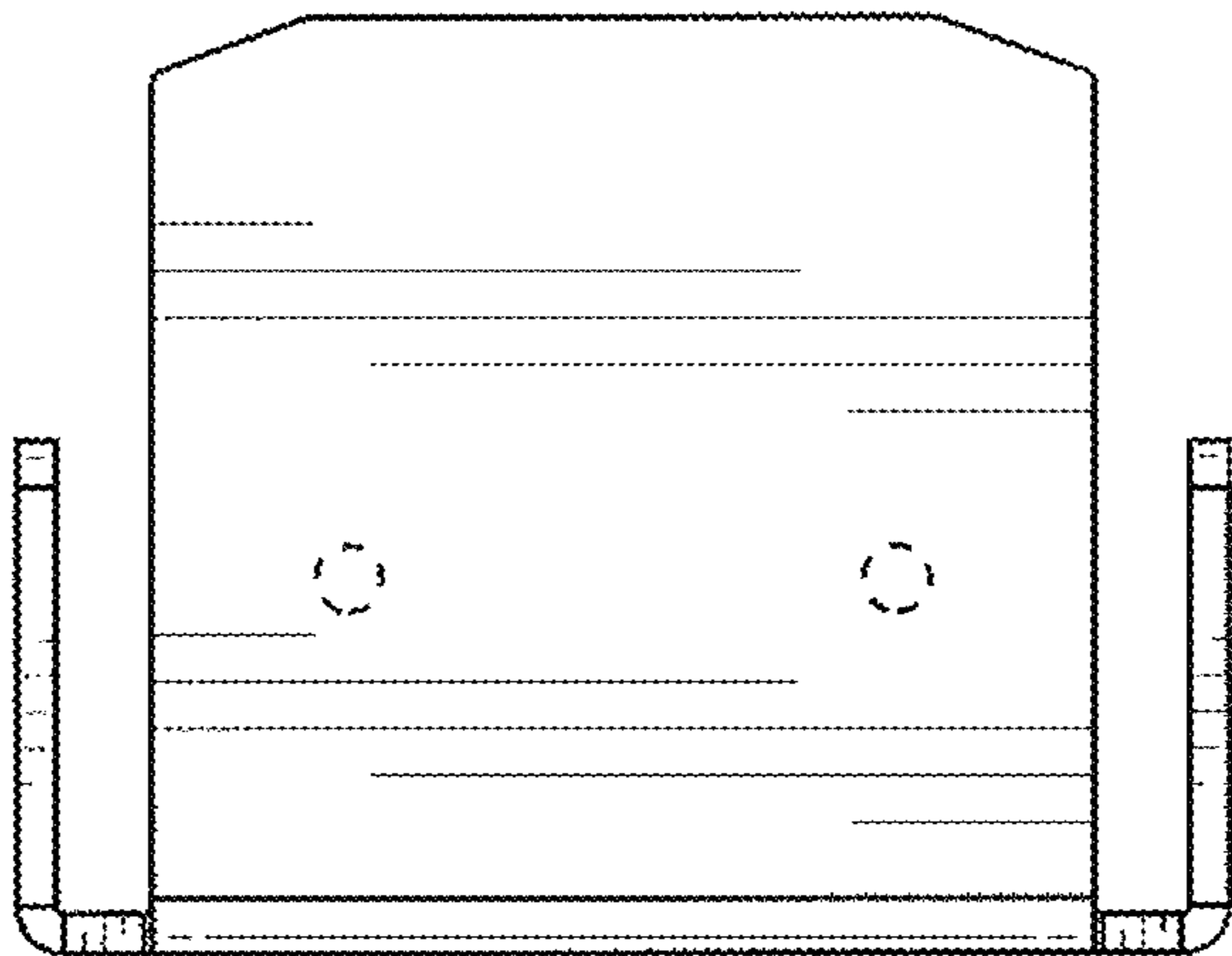


FIG. 5

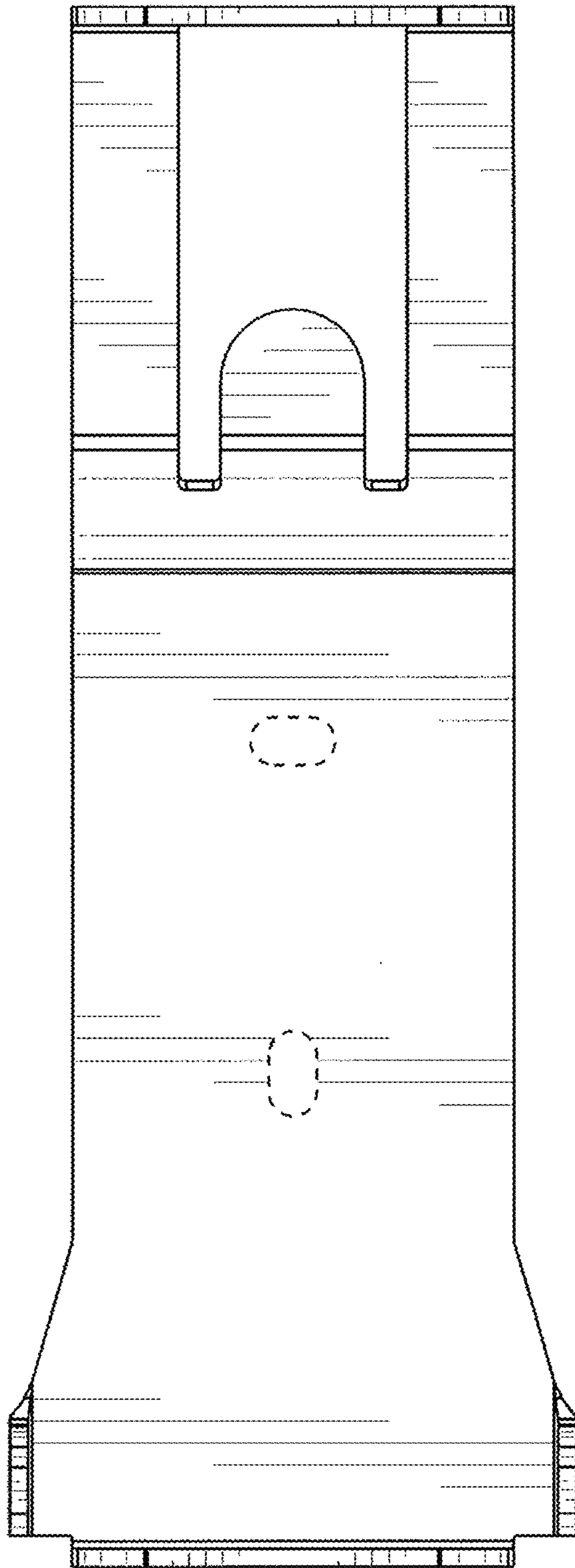


FIG. 6

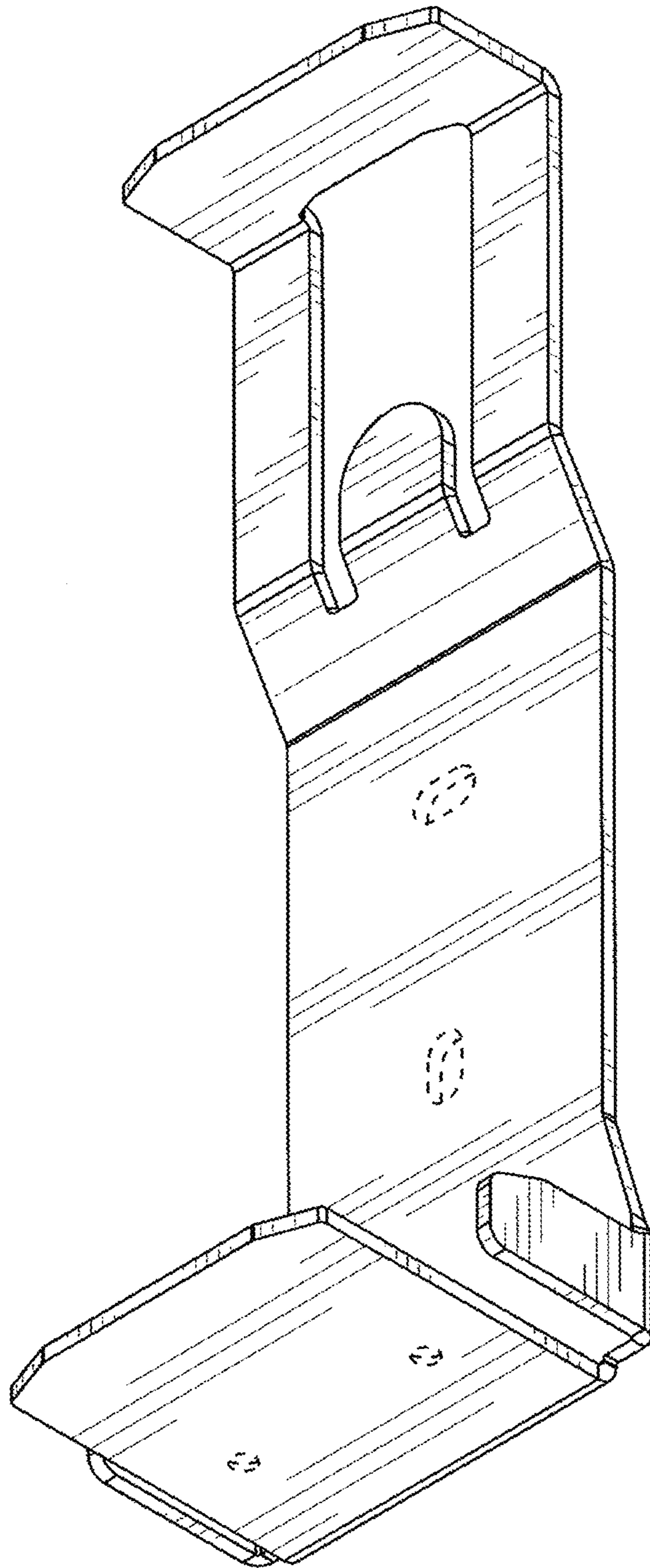


FIG. 7

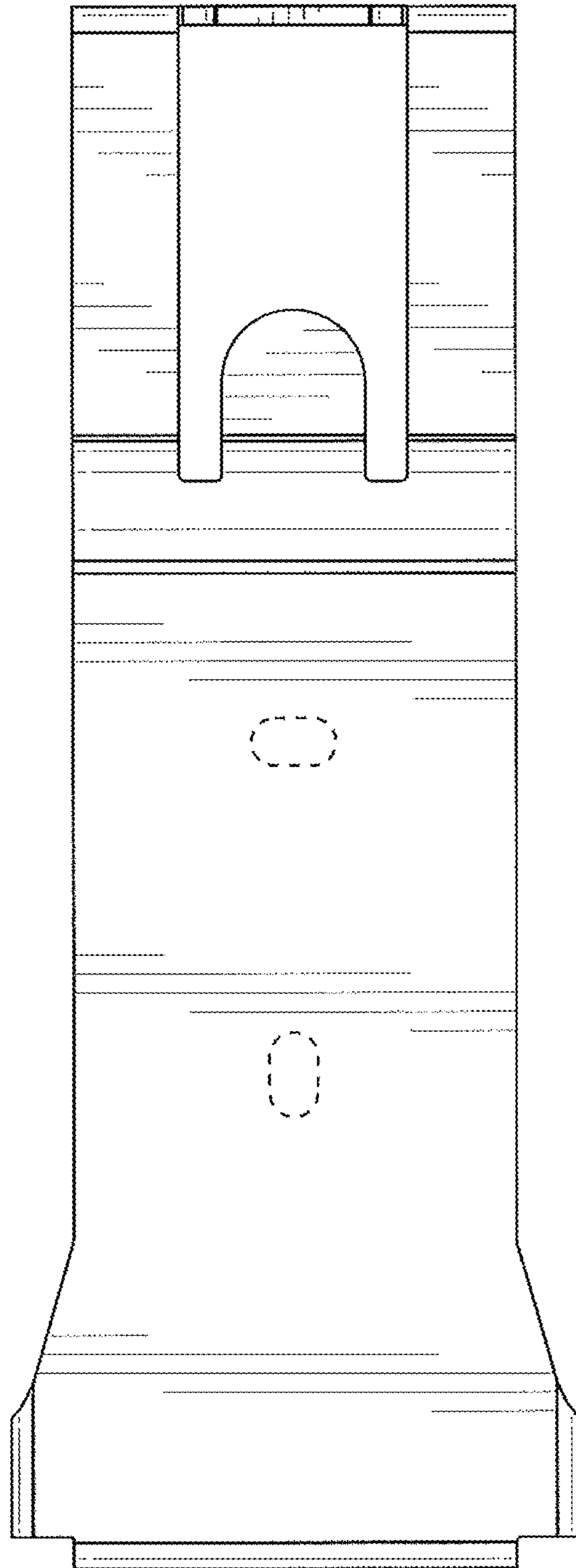


FIG. 8

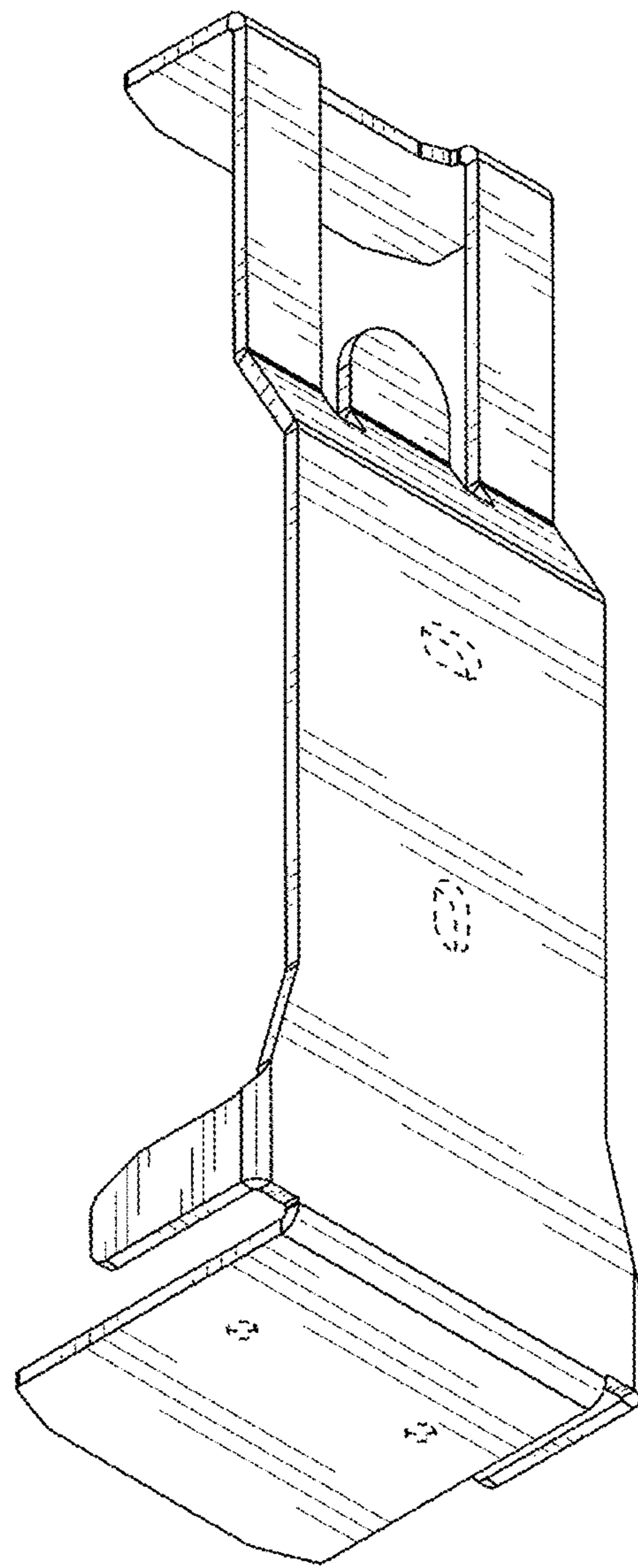


FIG. 9