



US00D799691S

(12) **United States Design Patent** (10) **Patent No.:** **US D799,691 S**
Pratt, Jr. et al. (45) **Date of Patent:** **** Oct. 10, 2017**

(54) **TRAY FOR A THERAPEUTIC VAPORIZER**
(71) Applicant: **1READY, LLC**, San Diego, CA (US)
(72) Inventors: **Robert Irving Pratt, Jr.**, El Cajon, CA (US); **Joshua Smith Young**, Bartlesville, OK (US)
(73) Assignee: **1READY, LLC**, San Diego, CA (US)

6,158,431 A 12/2000 Poole
D443,350 S 6/2001 Delmenico et al.
D450,116 S 11/2001 Dal Toso
(Continued)

FOREIGN PATENT DOCUMENTS

AT 249853 10/2003
AT 489981 12/2010
(Continued)

(**) Term: **15 Years**
(21) Appl. No.: **29/538,425**

OTHER PUBLICATIONS

Extended Supplementary European Search Report issued Feb. 26, 2016 in EP 11 82 7570; which is related to the present application.
(Continued)

(22) Filed: **Sep. 3, 2015**
(51) **LOC (10) Cl.** **29-02**
(52) **U.S. Cl.**
USPC **D24/110**; D27/162; D27/194
(58) **Field of Classification Search**
USPC D23/360-363, 366, 356; D24/110;
D27/101, 162-168, 194; 392/386, 390,
392/391, 394; 128/203.26, 203.22
CPC A61M 16/00; A61M 16/0054; A61M
16/0069; A24F 1/30
See application file for complete search history.

Primary Examiner — Janice Hallmark
(74) *Attorney, Agent, or Firm* — Knobbe, Martens, Olson & Bear LLP

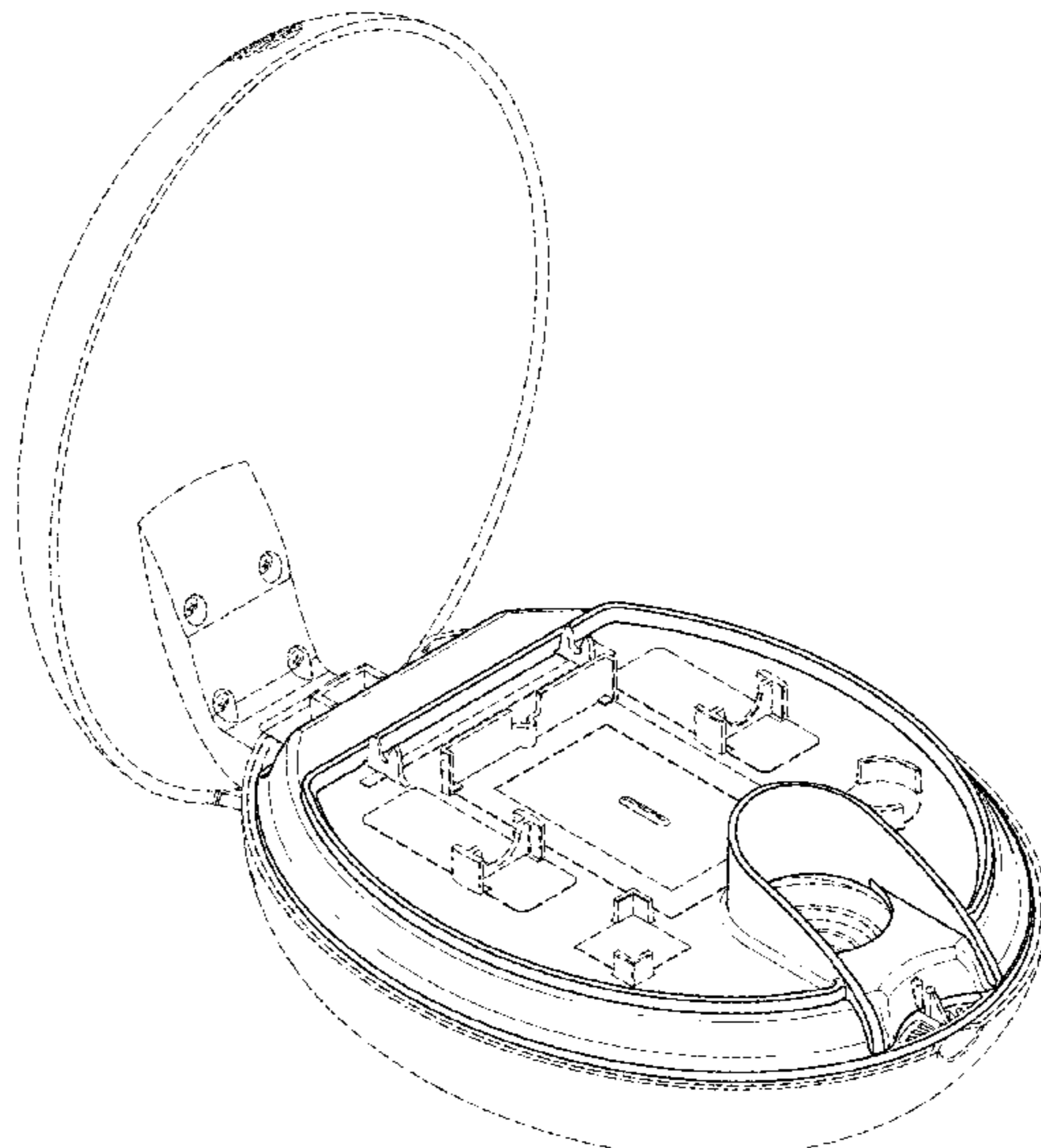
(57) **CLAIM**
We claim the ornamental design for a tray for a therapeutic vaporizer, as shown and described.

DESCRIPTION

FIG. 1 is a top left perspective view of a tray for a therapeutic vaporizer shown in a raised position for clarity of disclosure;
FIG. 2 is a bottom left perspective view of the tray of FIG. 1;
FIG. 3 is a top view of the tray of FIG. 1;
FIG. 4 is a bottom view of the tray of FIG. 1;
FIG. 5 is a front view of the tray of FIG. 1;
FIG. 6 is a rear view of the tray of FIG. 1;
FIG. 7 is a left side view of the tray of FIG. 1; and,
FIG. 8 is a right side view of the tray of FIG. 1.
The broken lines in the drawings depict a therapeutic vaporizer and portions of the tray for a therapeutic vaporizer that form no part of the claimed design.

(56) **References Cited**
U.S. PATENT DOCUMENTS
1,968,509 A 7/1934 Tiffany
2,057,353 A 10/1936 Whittemore
D221,657 S 8/1971 Katzman
D237,198 S 10/1975 Dollen
4,027,681 A * 6/1977 Todd A24F 19/10
131/232
5,195,514 A 3/1993 Liu et al.
D374,922 S 10/1996 Moore
D374,923 S 10/1996 Moore
D421,109 S 2/2000 Wolfe
D424,677 S 5/2000 Chen
D425,975 S 5/2000 Wolfe
6,095,153 A 8/2000 Kessler et al.

1 Claim, 8 Drawing Sheets



(56)

References Cited

U.S. PATENT DOCUMENTS

6,413,476	B1	7/2002	Barnhart	
6,513,524	B1	2/2003	Storz	
D510,135	S	9/2005	Marlotti	
D511,568	S	11/2005	Wheatley	
D535,002	S	1/2007	Caserta et al.	
D576,724	S	9/2008	Jensen et al.	
D583,463	S	12/2008	Wood et al.	
D591,411	S	4/2009	Weisbeck	
7,840,122	B1	11/2010	Hanrahan et al.	
D637,280	S	5/2011	Harvey et al.	
D639,414	S	6/2011	Berndt	
D642,733	S	8/2011	Sweitzer	
D649,237	S	11/2011	Bilko et al.	
D680,208	S	4/2013	Gordon	
D680,684	S	4/2013	Enshiwat	
8,474,663	B2	7/2013	Westphal	
D698,429	S	1/2014	Jorgensen	
D700,316	S	2/2014	Nichols	
D703,300	S	4/2014	Lee	
8,715,210	B2	5/2014	Orlando	
D713,971	S	9/2014	Nichols	
D719,248	S	12/2014	Smith et al.	
D742,492	S *	11/2015	Robinson	D23/360
D752,807	S *	3/2016	Young	D23/362
2002/0158351	A1	10/2002	Wohrle	
2003/0209246	A1	11/2003	Schroeder et al.	
2004/0099266	A1	5/2004	Cross et al.	
2004/0211418	A1	10/2004	Shayan	
2004/0241053	A1	12/2004	Thompson	
2006/0283449	A1	12/2006	Balch et al.	
2007/0045288	A1	3/2007	Nelson	
2007/0125765	A1	6/2007	Nelson	
2007/0169776	A1	7/2007	Kepler	
2008/0023003	A1	1/2008	Rosenthal	
2008/0029099	A1	2/2008	Storz	
2008/0053979	A1 *	3/2008	Toya	A61F 7/007 219/201
2009/0078253	A1	3/2009	Bao	
2009/0293892	A1	12/2009	Williams	
2010/0012118	A1	1/2010	Storz	
2010/0176213	A1	7/2010	Belongia	
2011/0103776	A1	5/2011	Jorgensen	

2012/0222696	A1	9/2012	Nichols
2013/0174842	A1	7/2013	Young et al.
2014/0158129	A1	6/2014	Pratt et al.

FOREIGN PATENT DOCUMENTS

CA	2671604	1/2010
DE	29806239	9/1998
DE	19803376	10/1999
DE	10042396	3/2002
DE	102006017787	10/2007
DE	502006008441	1/2011
EP	933093	8/1999
EP	1845368	10/2007
EP	1884254	2/2008
EP	2145643	1/2010
ES	2355983	4/2011
JP	2004-531555 A	10/2004
JP	5920940	4/2016
WO	WO 02/094218 A2	11/2002
WO	WO 2008/015918	2/2008
WO	WO 2008/050434 A1	5/2008
WO	WO 2010/035581 A1	4/2010
WO	WO 2012/040512	3/2012

OTHER PUBLICATIONS

International Search Report and Written Opinion in PCT Application No. PCT/US11/52835, dated Apr. 5, 2012, filed Sep. 22, 2011. Video at http://www.youtube.com/watch?v=Zo0VS_-VFIM (posted Sep. 20, 2011); now available at <http://web.archive.org/web/20111006152537/http://www.clovershield.com/about/>. First Office Action issued by the Japanese Patent Office in JP 2013-530330, which is related to the present application. Notice of Allowance (with English translation) issued by the Japanese Patent Office (JPO) on Mar. 22, 2016 in JP 2013-530330; which is related to the present application. Notification to Grant Patent Right for Invention issued by the State Intellectual Property Office of China on Jul. 4, 2016 in CN 2011800544310; which is related to the present application.

* cited by examiner

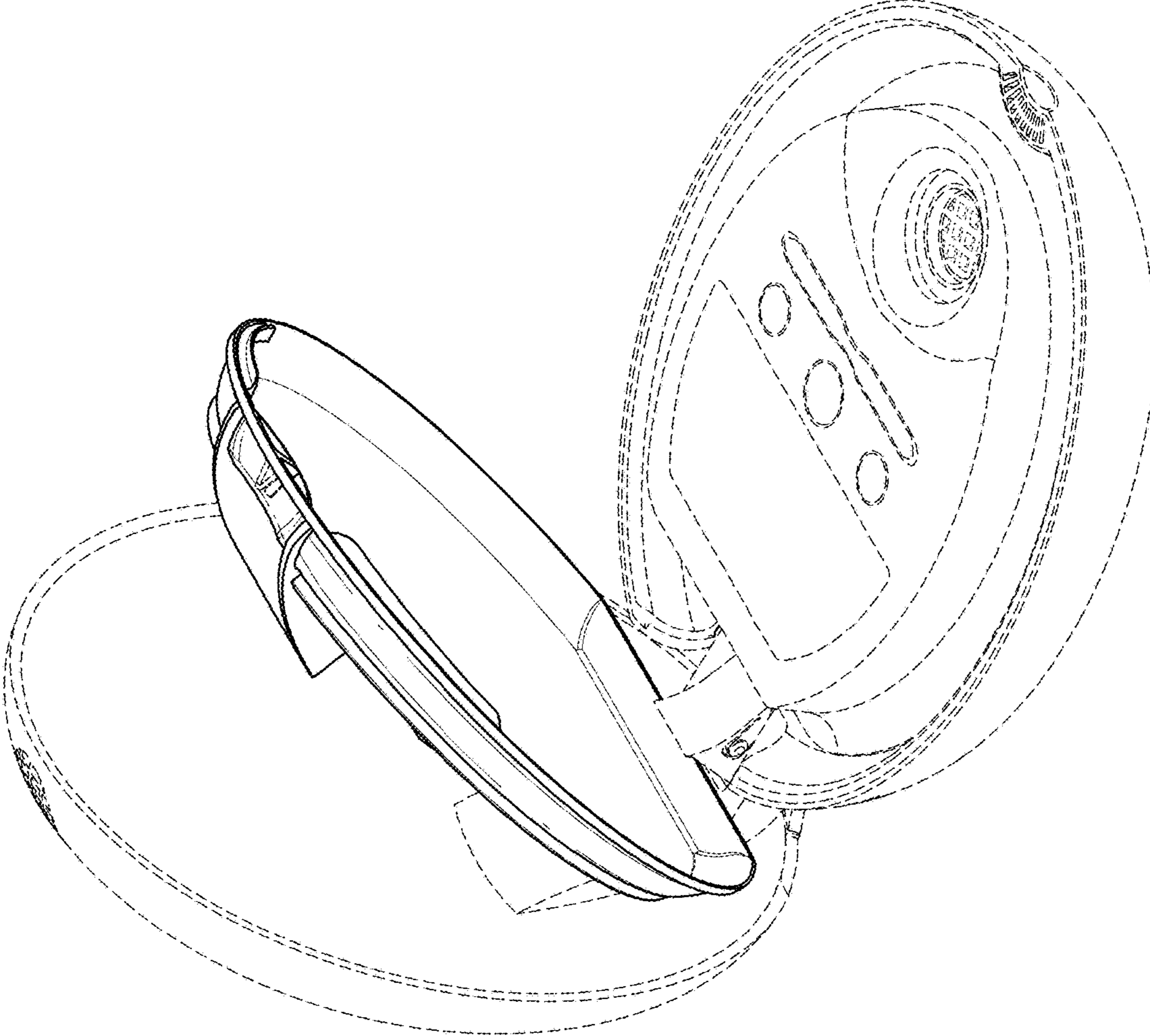


FIG. 1

FIG. 2

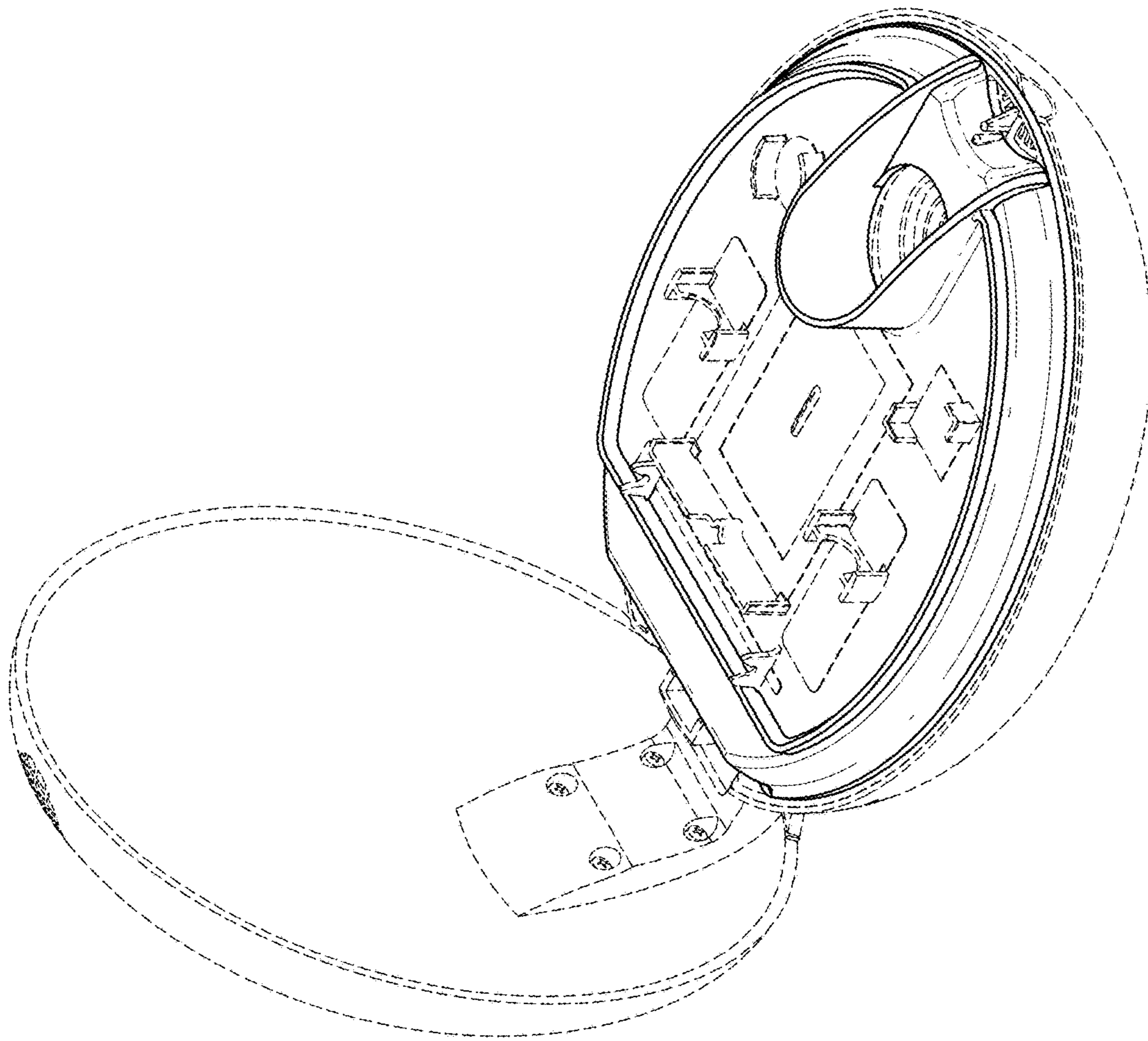


FIG. 3

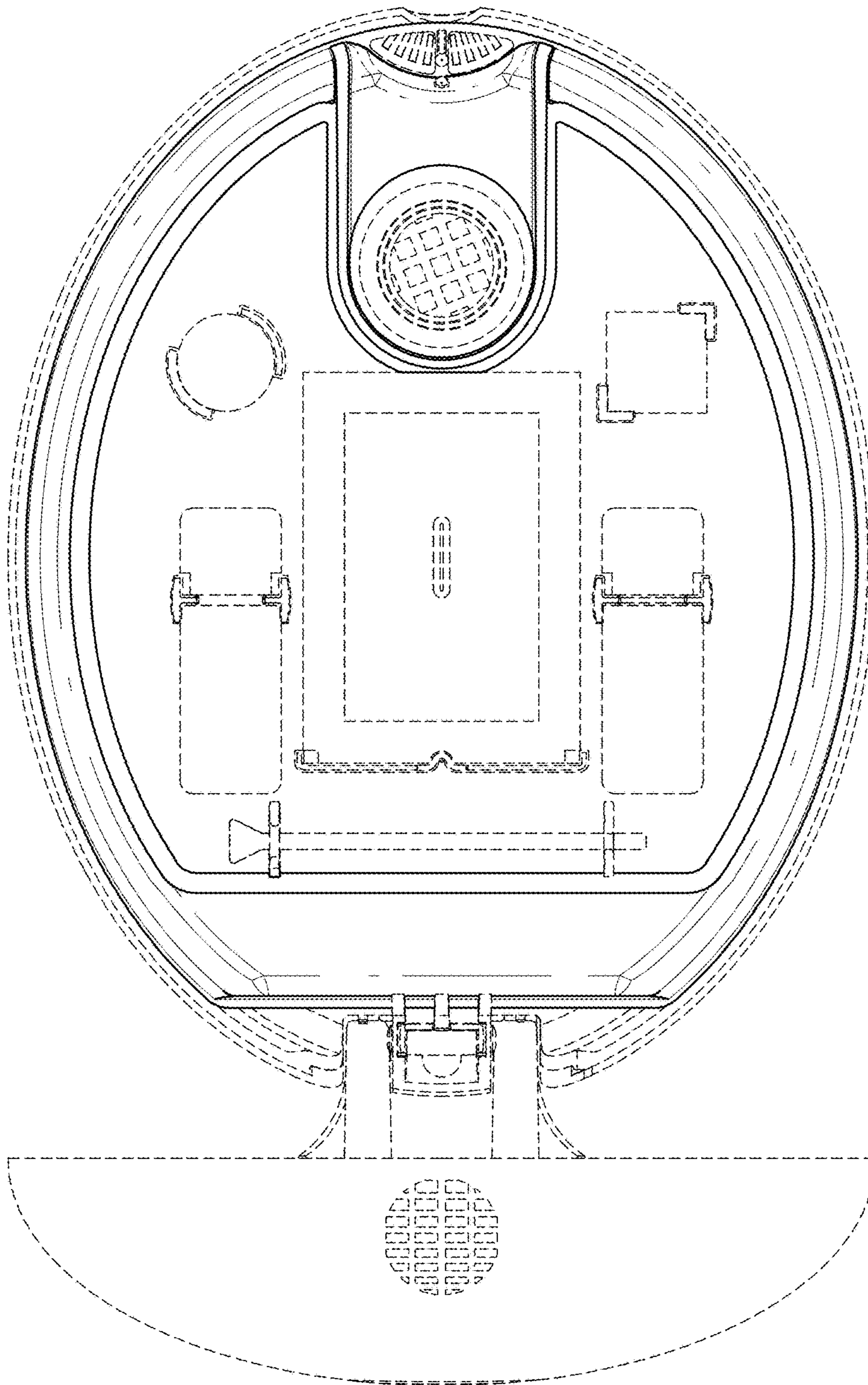
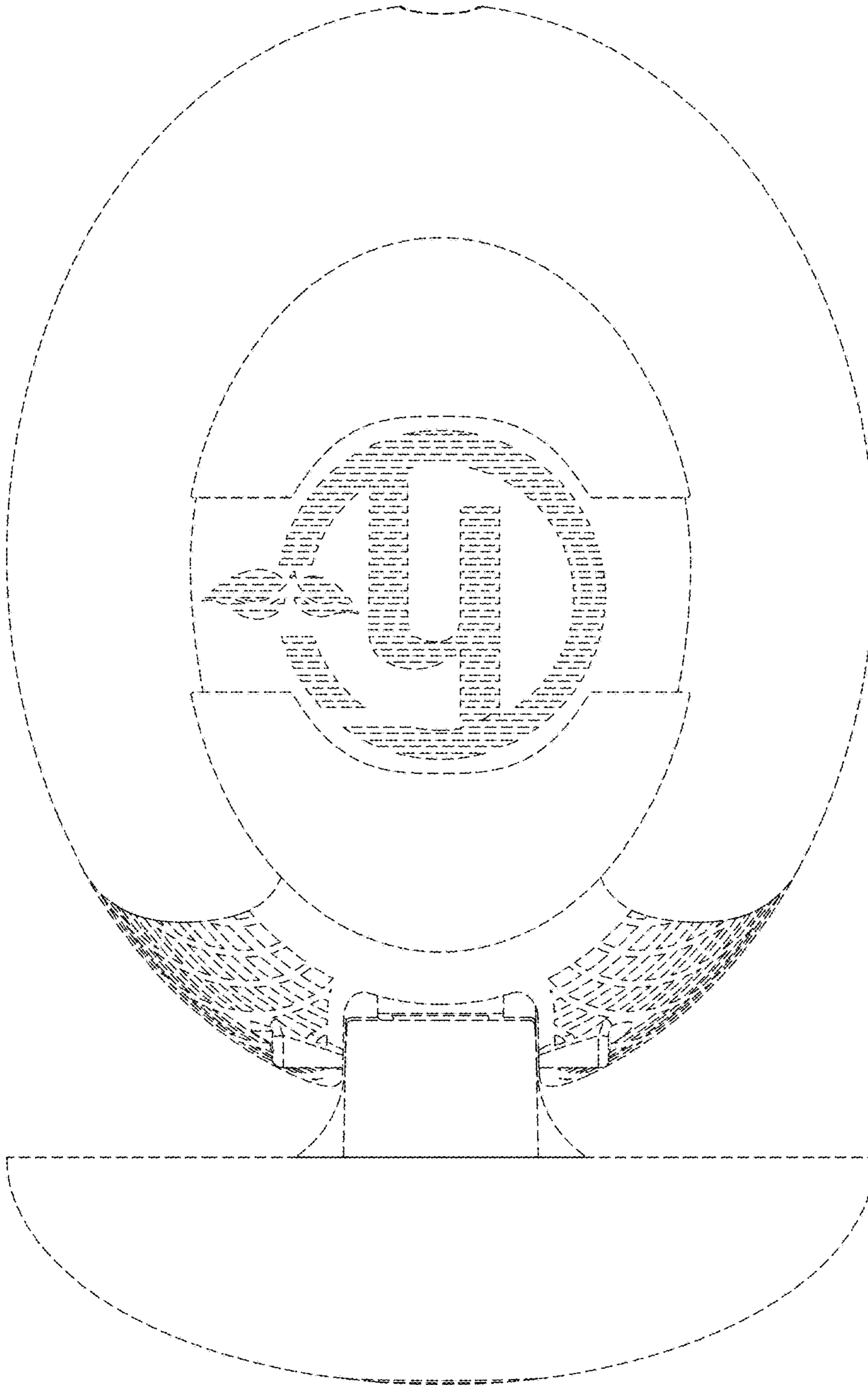


FIG. 4



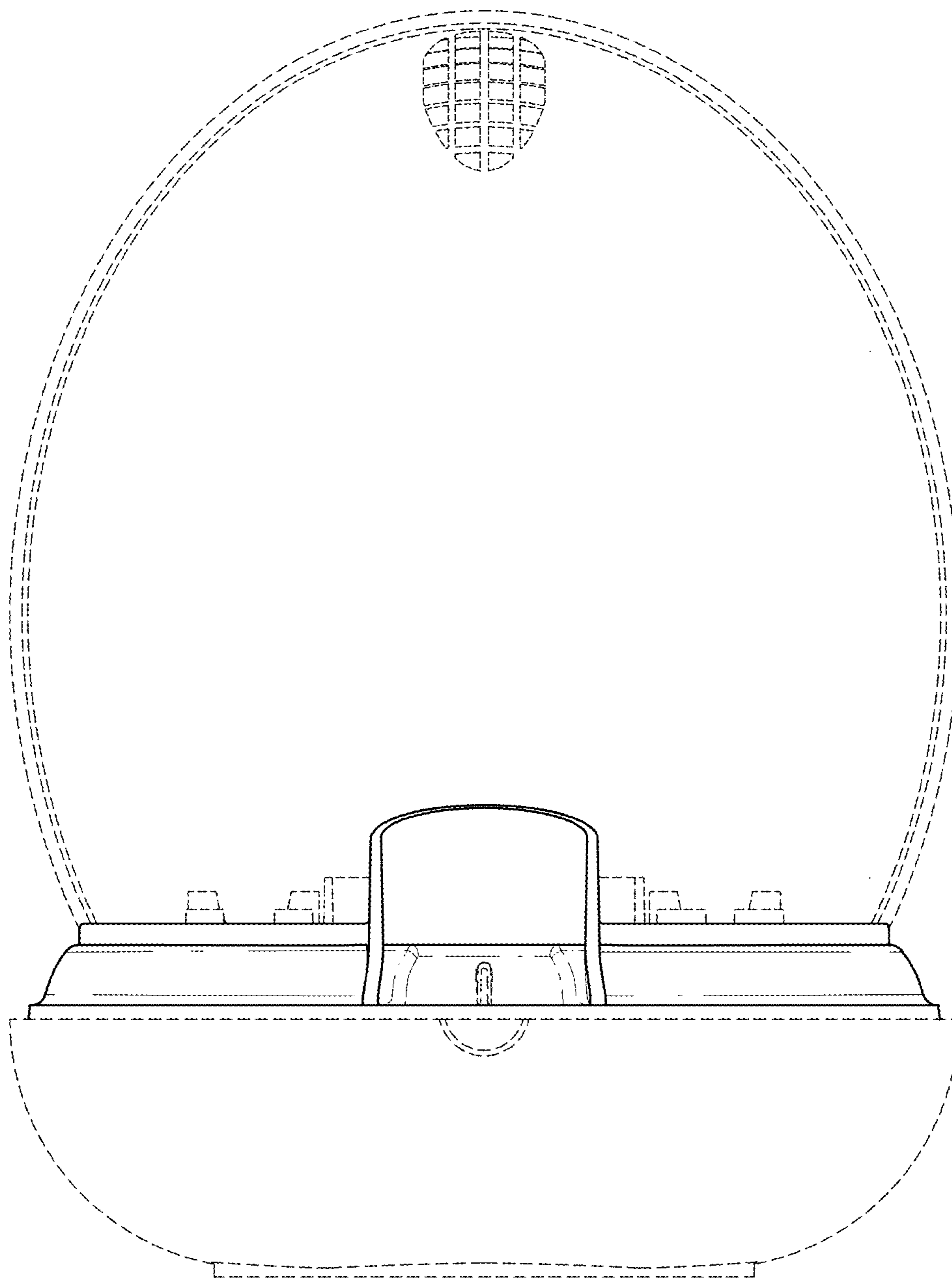


FIG. 5

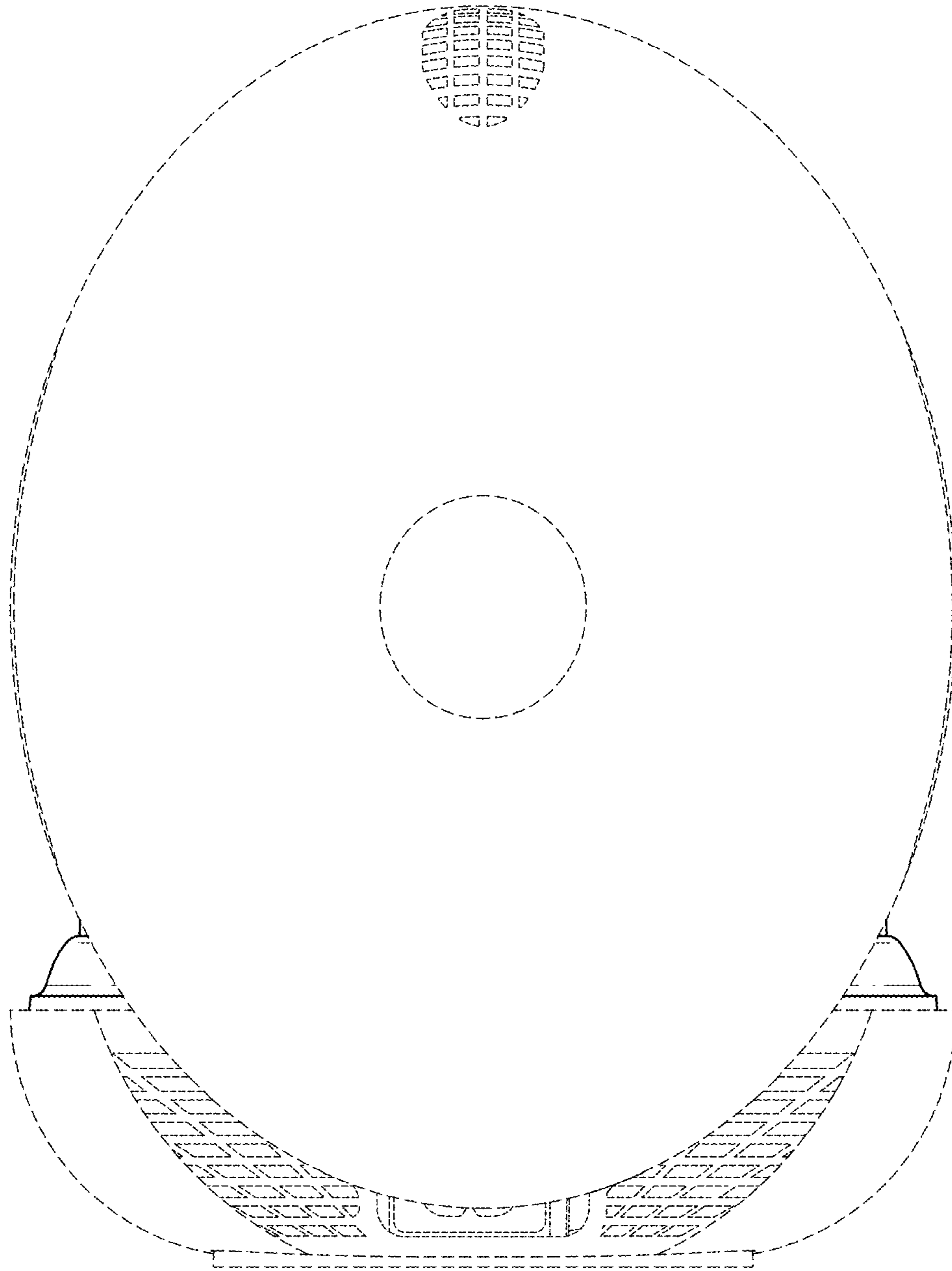


FIG. 6

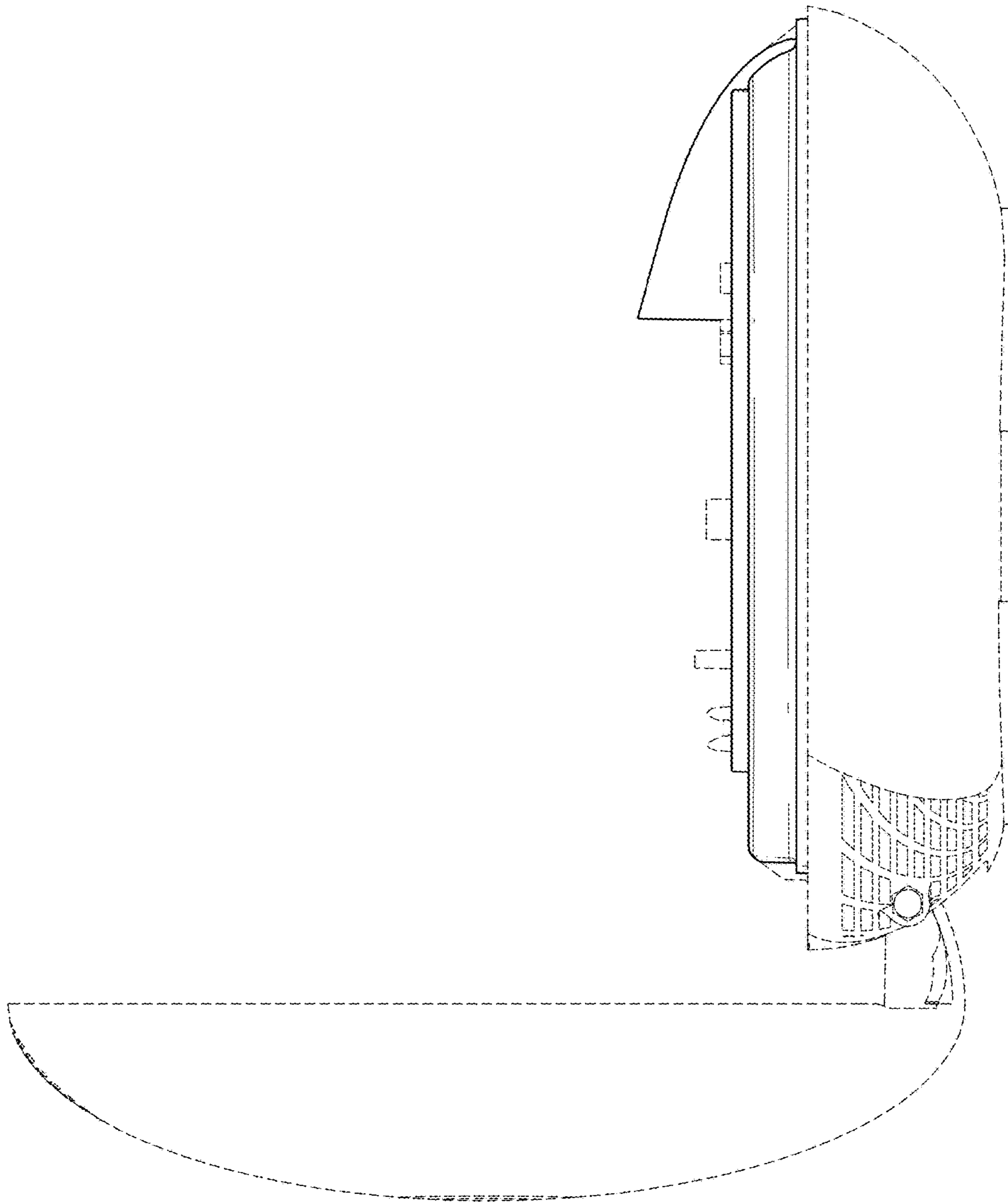


FIG. 7

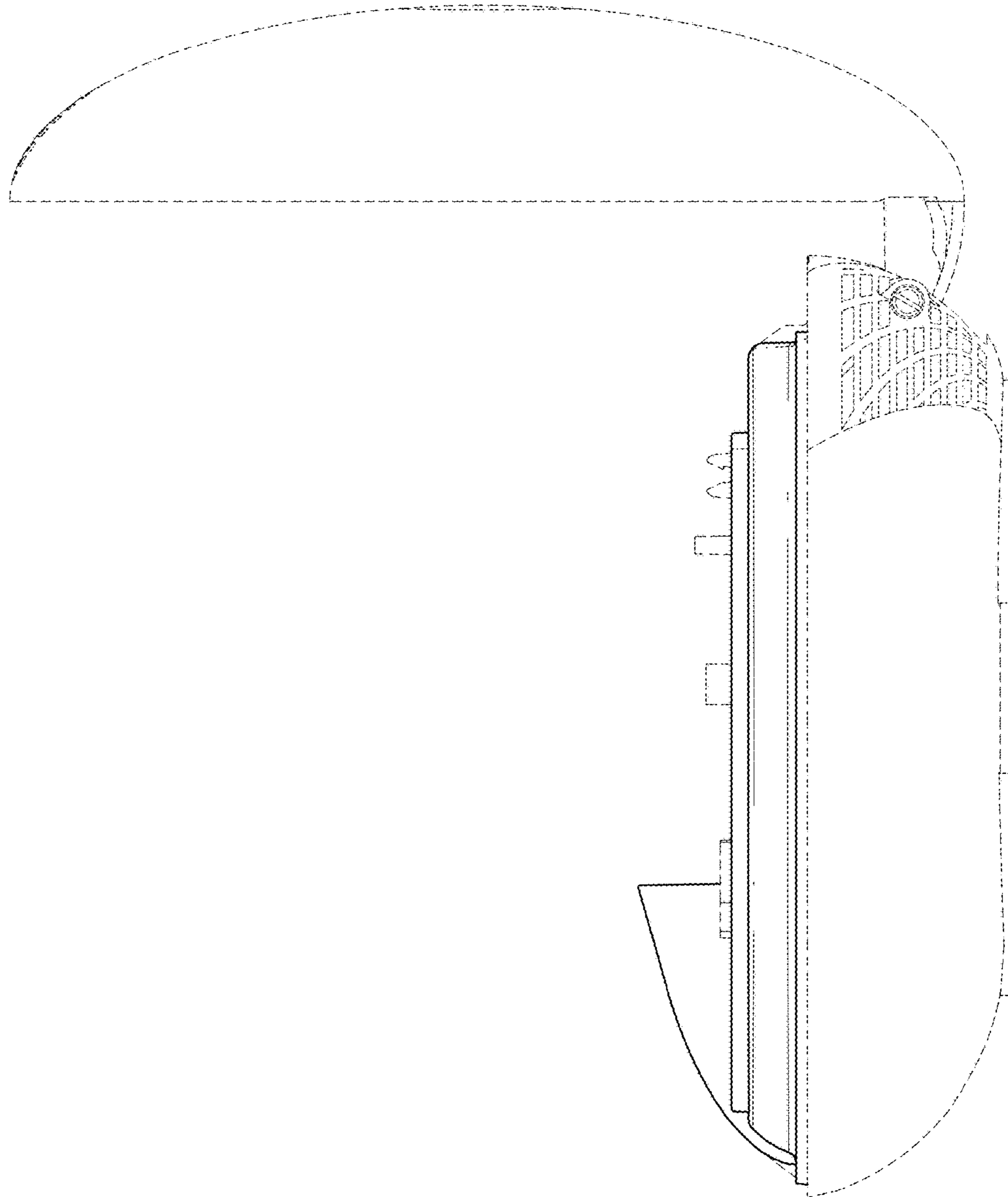


FIG. 8

UNITED STATES PATENT AND TRADEMARK OFFICE
CERTIFICATE OF CORRECTION

PATENT NO. : D799,691 S
APPLICATION NO. : 29/538425
DATED : October 10, 2017
INVENTOR(S) : Robert Irving Pratt, Jr. et al.

Page 1 of 1

It is certified that error appears in the above-identified patent and that said Letters Patent is hereby corrected as shown below:

On the Title Page

After item (22), Filed: Sep. 3, 2015

Please add the following item (65):

Related U.S. Application Data

Continuation of U.S. Patent Application No. 29/446,005, filed on Feb. 19, 2013, now Pat. No. Des 752,807.

Signed and Sealed this
Second Day of October, 2018



Andrei Iancu
Director of the United States Patent and Trademark Office