



(12) **United States Design Patent**  
**Kawamura et al.**

(10) **Patent No.:** **US D799,690 S**  
(45) **Date of Patent:** **\*\* Oct. 10, 2017**

(54) **INNER CYLINDER FOR EXHAUST GAS TREATMENT APPARATUS**

(71) Applicant: **EBARA CORPORATION**, Tokyo (JP)

(72) Inventors: **Khotaro Kawamura**, Tokyo (JP);  
**Makoto Kashiwagi**, Tokyo (JP);  
**Hiroshi Ikeda**, Tokyo (JP)

(73) Assignee: **EBARA CORPORATION**, Tokyo (JP)

(\*\*) Term: **15 Years**

(21) Appl. No.: **29/530,928**

(22) Filed: **Jun. 22, 2015**

(30) **Foreign Application Priority Data**

Dec. 22, 2014 (JP) ..... 2014-028696  
Dec. 22, 2014 (JP) ..... 2014-028697  
Dec. 22, 2014 (JP) ..... 2014-028698  
Dec. 22, 2014 (JP) ..... 2014-028699

(51) **LOC (10) Cl.** ..... **23-99**

(52) **U.S. Cl.**  
USPC ..... **D23/499**

(58) **Field of Classification Search**  
USPC ..... D23/394, 398, 403, 405, 407, 409, 410,  
D23/415, 417, 499  
CPC .... A23L 1/01; A47J 33/00; A47J 37/04; A47J  
37/06; A47J 37/08; F23C 3/00; F23D  
3/18; F23D 14/02; F24B 1/182; F24B  
1/192; F24B 1/193; F24B 3/00; F24F  
13/20; F24C 1/16; F24C 15/10; F24C  
15/14; F26B 11/02; F26B 19/00  
See application file for complete search history.

(56) **References Cited**

**U.S. PATENT DOCUMENTS**

444,676 A \* 1/1891 Shull ..... F16L 37/252  
285/362  
D25,709 S \* 6/1896 Pratt ..... D23/262

715,945 A \* 12/1902 Beach ..... F24C 15/10  
126/215  
836,145 A \* 11/1906 Shohutz ..... F23C 3/008  
110/104 R  
909,131 A \* 1/1909 Antic ..... F16L 37/084  
285/148.14

(Continued)

**OTHER PUBLICATIONS**

Couplage de tuyaux en pvc, image post date 2010, site visited Aug. 7, 2016, (online), <<https://www.aliexpress.com/cheap/cheap-coupling-pvc-pipe.html>>.\*

(Continued)

*Primary Examiner* — Kevin Rudzinski

*Assistant Examiner* — Sean D Lough

(74) *Attorney, Agent, or Firm* — Pearne & Gordon LLP

(57) **CLAIM**

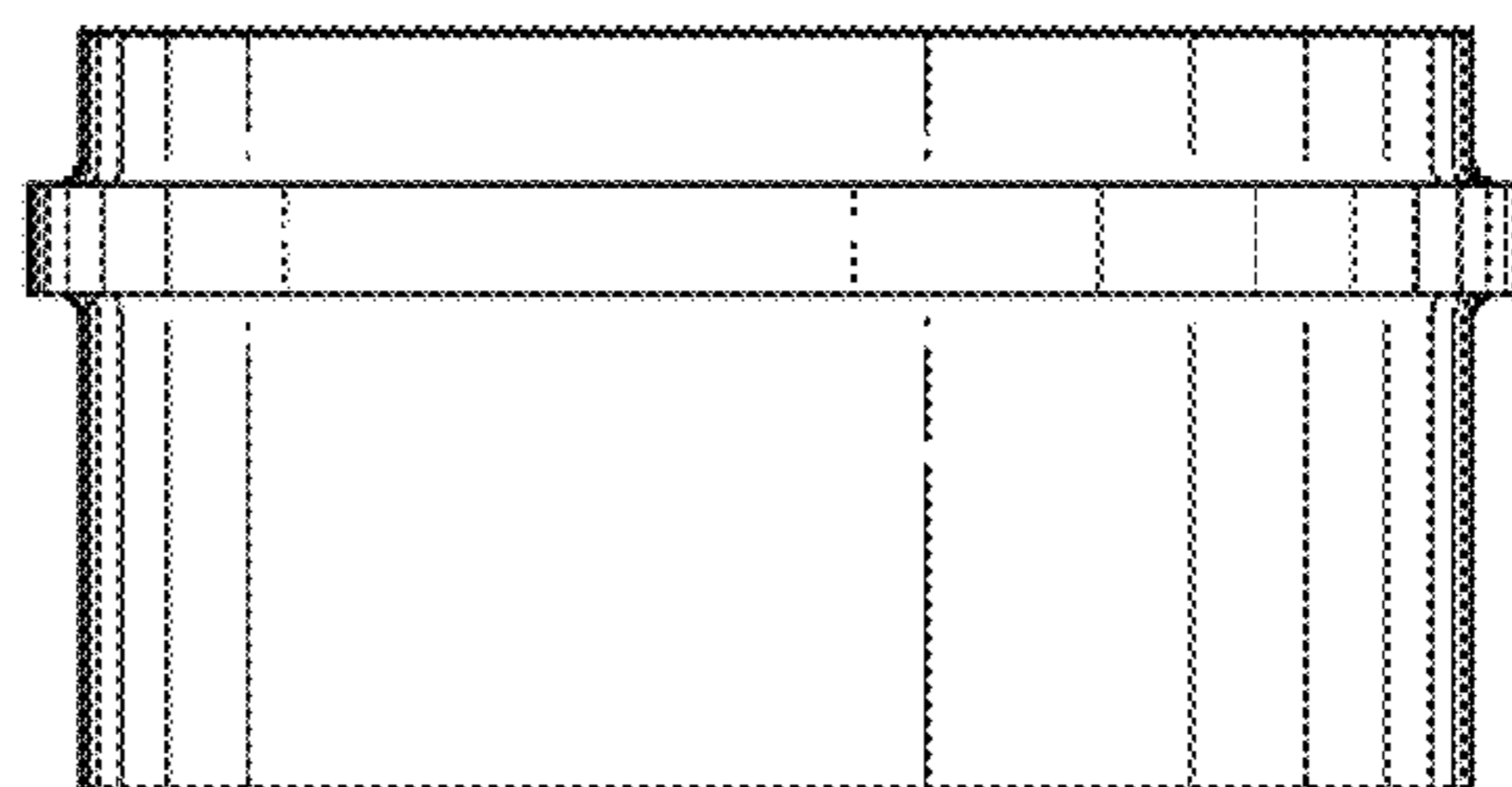
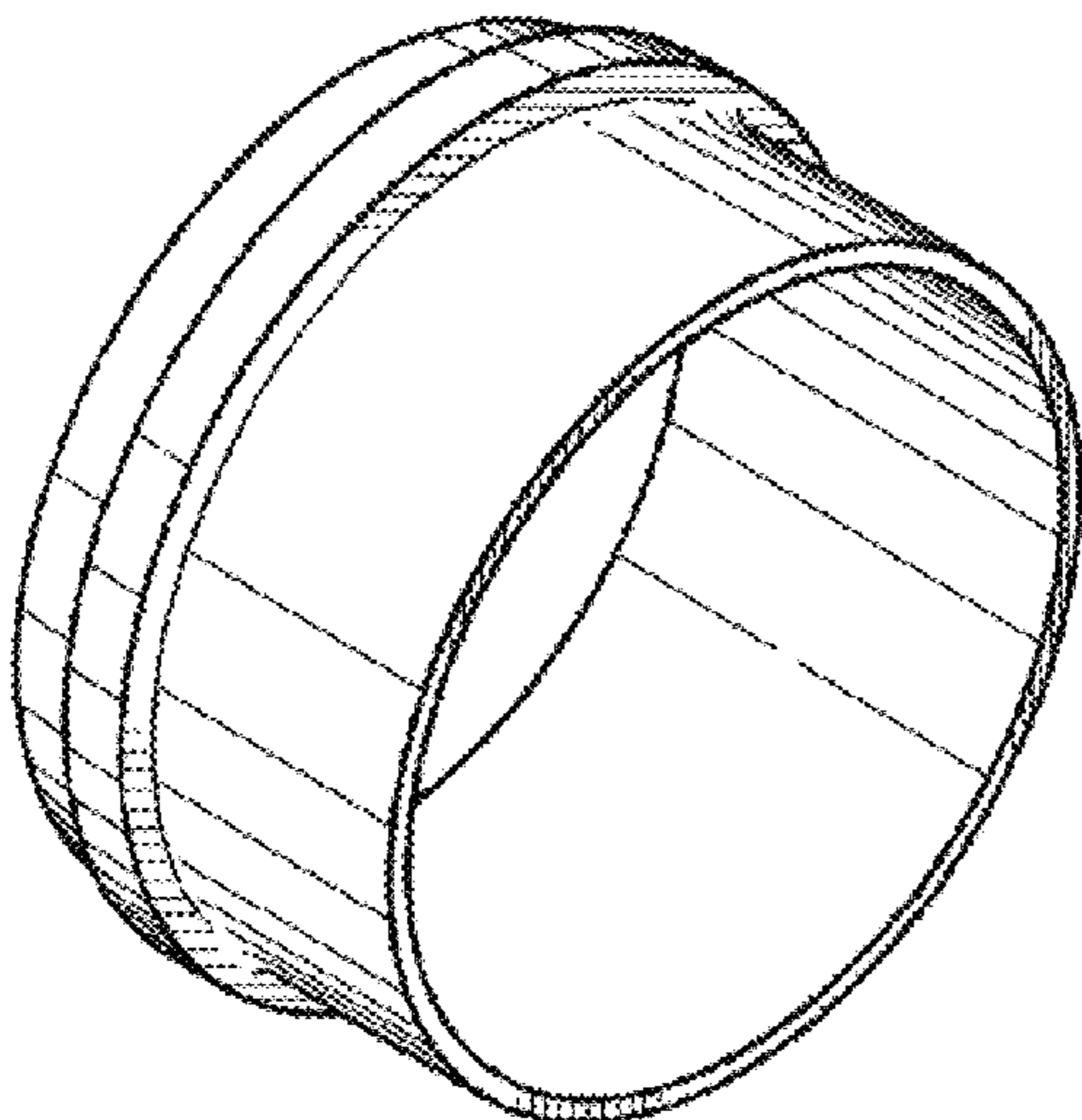
The ornamental design for an inner cylinder for exhaust gas treatment apparatus, as shown and described.

**DESCRIPTION**

FIG. 1 is a perspective view of an inner cylinder for exhaust gas treatment apparatus showing our new design; FIG. 2 is a front view thereof, a rear view being identical thereto; FIG. 3 is a left-side view thereof, a right-side being identical thereto; FIG. 4 is a plan view thereof, a bottom view being identical thereto; and, FIG. 5 is a cross-section view thereof taken along the line 5-5 of FIG. 2.

No claim is made to the internal details represented by the cross-hatching in FIG. 5, and the particular cross-hatching patterns do not represent any particular materials.

**1 Claim, 1 Drawing Sheet**





(56)

References Cited

U.S. PATENT DOCUMENTS

D621,873 S \* 8/2010 Tsai ..... D19/26  
 D623,277 S \* 9/2010 Guzzoni ..... D23/262  
 D623,943 S \* 9/2010 Weld ..... D9/454  
 D625,404 S \* 10/2010 Yu ..... D23/386  
 D630,191 S \* 1/2011 Chang ..... D14/225  
 D631,142 S \* 1/2011 Angell ..... D23/262  
 D637,697 S \* 5/2011 Steiner ..... D23/262  
 D651,291 S \* 12/2011 Liebson ..... D23/262  
 D655,796 S \* 3/2012 DeWitt ..... D23/269  
 8,210,029 B2 \* 7/2012 Hart ..... G01M 3/022  
 73/37  
 D665,071 S \* 8/2012 Goel ..... D15/144  
 D673,657 S \* 1/2013 Sisk ..... D23/262  
 D681,176 S \* 4/2013 Chacko ..... D23/269  
 D681,684 S \* 5/2013 Fornaci ..... D15/13  
 D681,798 S \* 5/2013 Nagasaka ..... D23/393  
 D682,690 S \* 5/2013 Bowes ..... D9/439  
 D688,283 S \* 8/2013 Choi ..... D15/152  
 8,641,413 B2 \* 2/2014 Chen ..... F23D 5/04  
 431/288  
 D700,682 S \* 3/2014 Bayyouk ..... D23/233  
 D700,695 S \* 3/2014 Koga ..... D23/386  
 D703,519 S \* 4/2014 Senseney ..... D8/382  
 D706,908 S \* 6/2014 Knapp ..... D23/269  
 D710,488 S \* 8/2014 Alima ..... D23/363  
 D715,145 S \* 10/2014 Yamagishi ..... D23/259  
 D715,918 S \* 10/2014 Pan ..... D23/411  
 D720,051 S \* 12/2014 Dole ..... D23/266  
 D723,153 S \* 2/2015 Borkholder ..... D23/411  
 D723,667 S \* 3/2015 Locke ..... D23/266  
 D728,627 S \* 5/2015 Walter ..... D15/7  
 D728,774 S \* 5/2015 Graham ..... D23/393  
 D730,494 S \* 5/2015 Arment ..... D23/262  
 D730,734 S \* 6/2015 Rapparini ..... D9/454  
 D732,972 S \* 6/2015 Barroso Miana ..... D9/688  
 D733,262 S \* 6/2015 Kang ..... D23/261  
 D735,255 S \* 7/2015 Sickinger ..... D15/144.2  
 D736,261 S \* 8/2015 Bellinger ..... D15/28  
 D737,946 S \* 9/2015 Leatzow ..... D23/365  
 D739,509 S \* 9/2015 Bazemore ..... D23/263  
 D739,515 S \* 9/2015 Johnson ..... D23/393  
 D743,513 S \* 11/2015 Yamagishi ..... D23/269  
 D744,626 S \* 12/2015 Leatzow ..... D23/365  
 D745,957 S \* 12/2015 Pan ..... D23/411

D747,454 S \* 1/2016 Stewart ..... D23/370  
 D748,228 S \* 1/2016 Bayyouk ..... D23/269  
 D749,702 S \* 2/2016 Rohn ..... D23/259  
 9,341,291 B2 \* 5/2016 Sandman ..... F24F 13/10  
 D758,554 S \* 6/2016 Lohmann ..... D23/261  
 D760,365 S \* 6/2016 Zanelli ..... D23/262  
 9,377,187 B2 \* 6/2016 Chen ..... F23C 7/002  
 9,399,509 B2 \* 7/2016 Rolfes ..... B64C 3/34  
 9,399,510 B2 \* 7/2016 Rolfes ..... B64D 37/04  
 D766,716 S \* 9/2016 Logel ..... D9/434  
 2005/0227193 A1 \* 10/2005 Lin ..... C11C 5/008  
 431/291  
 2005/0229916 A1 \* 10/2005 Fitzgerald ..... A47J 33/00  
 126/25 R  
 2005/0268450 A1 \* 12/2005 Young ..... B21D 53/02  
 29/412  
 2016/0102885 A1 \* 4/2016 Karkheck ..... E04D 13/1476  
 454/367

OTHER PUBLICATIONS

Silver Pinstripe Ring, image post date Feb. 25, 2015, site visited Nov. 2, 2016, (online), <<http://web.archive.org/web/20150225143825/http://www.spexton.com/collections/wedding-bands>>.\*  
 Meteorite Ring from TinEye, image post date Aug. 22, 2014, site visited Nov. 2, 2016, (online), <<https://www.tineye.com/search/993e7c094ef13b059d34c3b740234433bd36e448>>.\*  
 JB-Power, image post date 2014, site visited Nov. 2, 2016, (online), <<http://www.jb-power.co.jp/info/?p=107>>.\*  
 Main cylinder gland, (Long Term Pavement Performance Program Falling Weight Deflectometer Maintenance Manual—p. 17), image post date 2006, site visited Nov. 2, 2016, (online), <<https://www.fhwa.dot.gov/publications/research/infrastructure/pavements/Itpp/05153/chapt3.cfm>>.\*  
 Outboard motor piston, image post date Dec. 29, 2011, site visited Nov. 2, 2016, (online), <<https://conductorjonz.wordpress.com/2011/12/29/>>.\*  
 Three Ring Cylinder Knob from TinEye, image post date Nov. 26, 2014, site visited Nov. 2, 2016, (online), <<https://www.tineye.com/search/93f98e6cd4e5f15751bda6c53a99f693bd7a2f8b>>.\*  
 GM Duramax Diesel engine part, image post date Nov. 5, 2012, site visited Nov. 2, 2016, (online), <<http://www.underhoodservice.com/tech-feature-venturing-into-gm-duramax-diesel-service/>>.\*

\* cited by examiner

FIG. 1

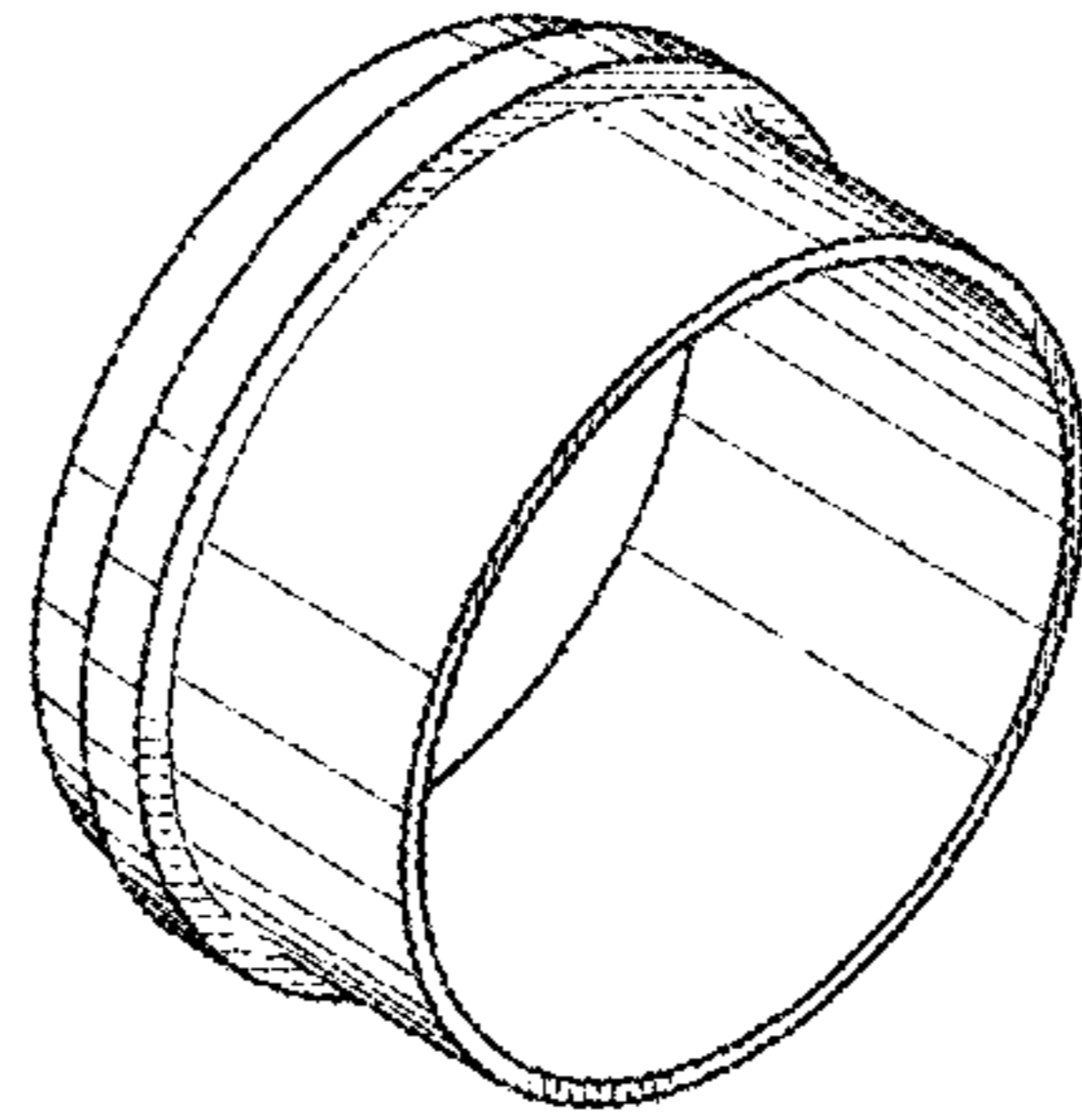


FIG. 2

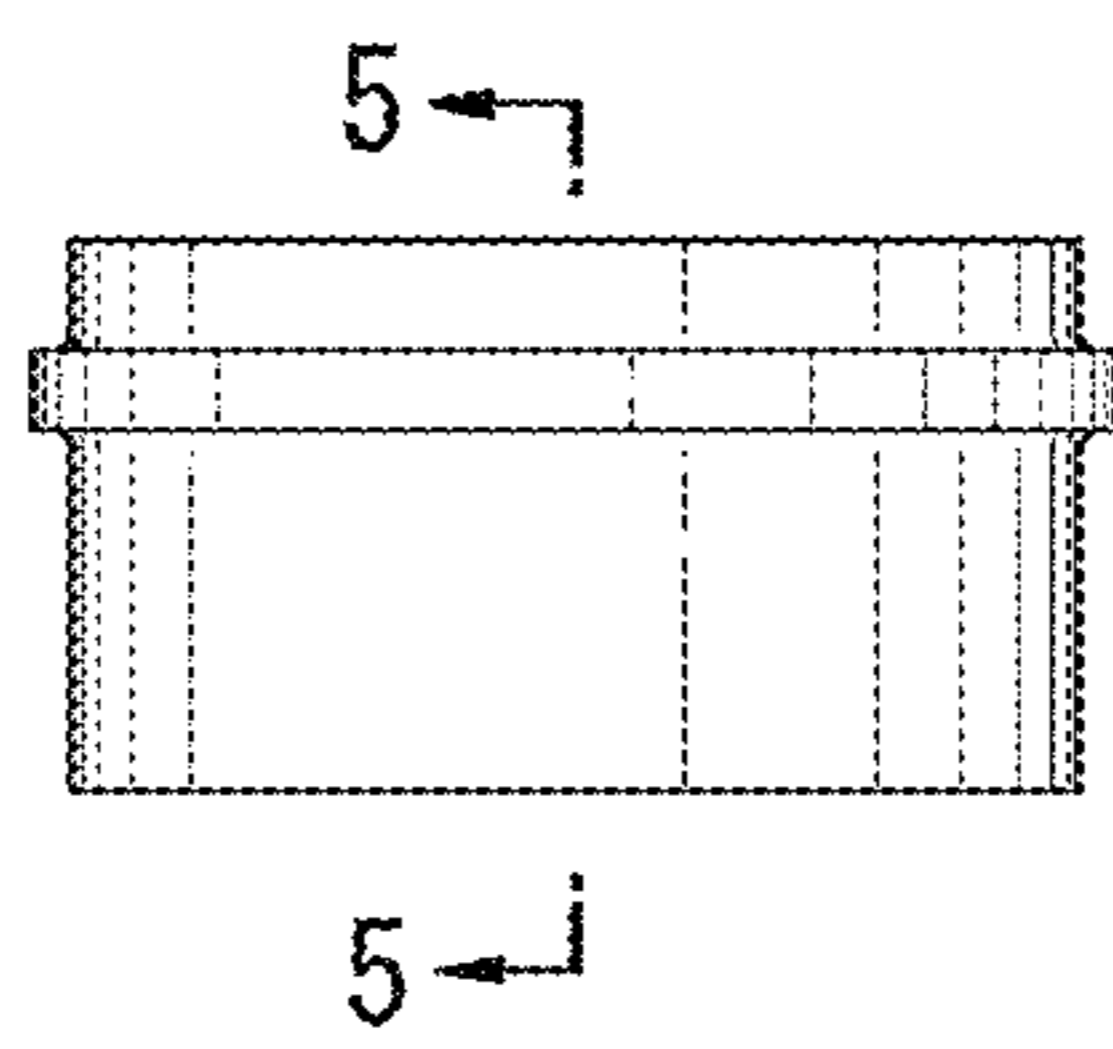


FIG. 3

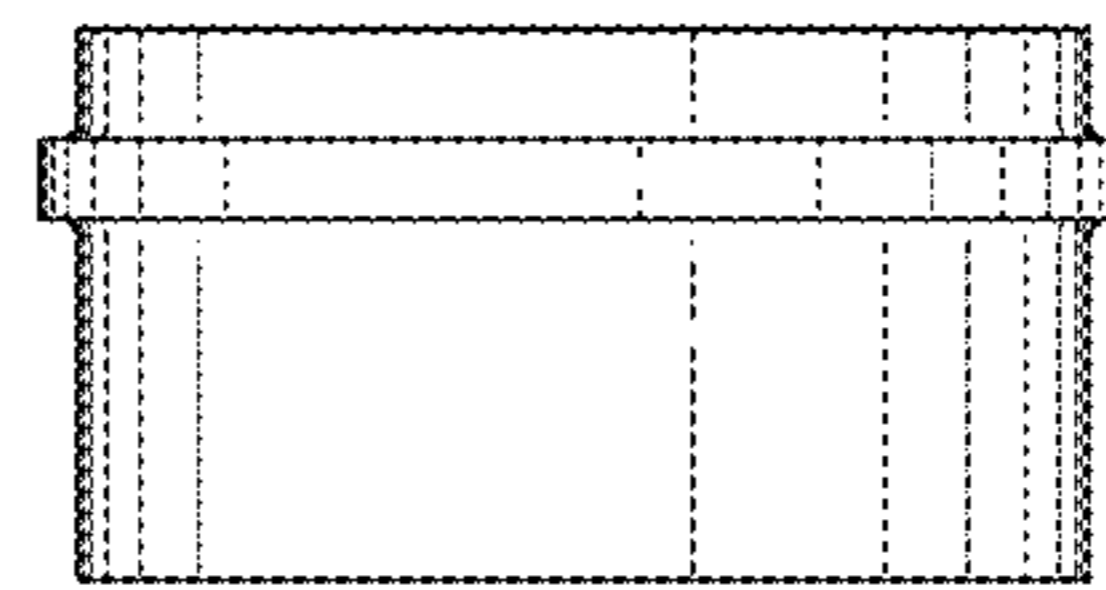


FIG. 4

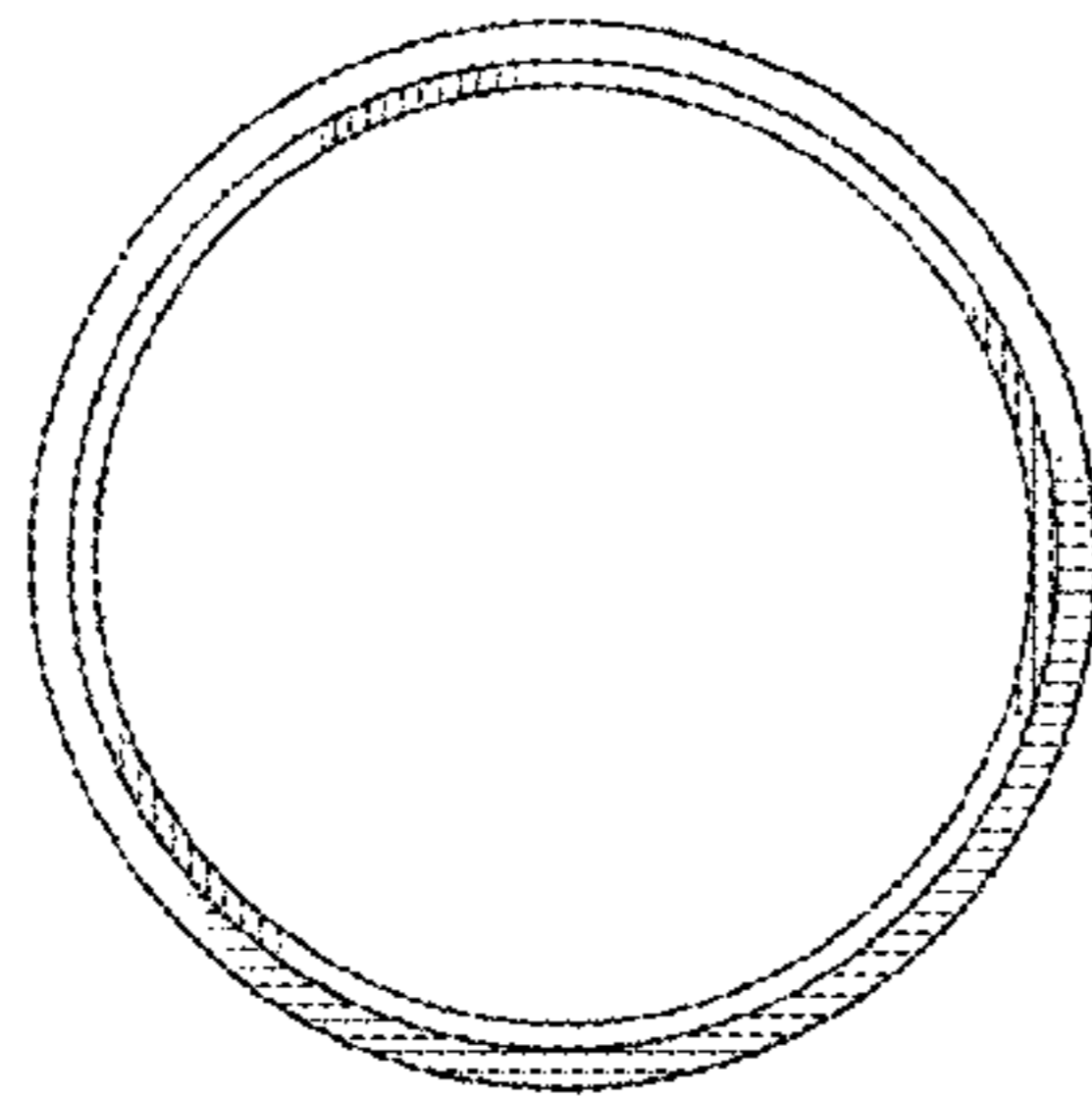


FIG. 5

