



US00D799689S

(12) **United States Design Patent**  
**Wang**

(10) **Patent No.:** **US D799,689 S**  
(45) **Date of Patent:** **\*\* Oct. 10, 2017**

- (54) **CEILING FAN BLADE**
- (71) Applicant: **AIR COOL INDUSTRIAL CO., LTD.**, Taichung (TW)
- (72) Inventor: **Cliff Wang**, Taichung (TW)
- (73) Assignee: **AIR COOL INDUSTRIAL CO., LTD.**, Taichung (TW)
- (\*\*) Term: **15 Years**
- (21) Appl. No.: **29/578,838**
- (22) Filed: **Sep. 25, 2016**
- (51) **LOC (10) Cl.** ..... **23-04**
- (52) **U.S. Cl.**  
USPC ..... **D23/413**
- (58) **Field of Classification Search**  
USPC ..... D23/370, 377, 379, 381, 382, 385, 411,  
D23/413, 414, 332, 328; D26/59  
CPC ..... F04D 25/08; F04D 29/388; F04D 29/34;  
F04D 25/088; H02K 1/187  
See application file for complete search history.

(56) **References Cited**

**U.S. PATENT DOCUMENTS**

D437,406 S *	2/2001	Frampton	.....	D23/377
D451,997 S *	12/2001	Schwartz	.....	D23/379
D454,192 S *	3/2002	Frampton	.....	D23/377
D454,634 S *	3/2002	Frampton	.....	D23/413
D460,817 S *	7/2002	Frampton	.....	D23/413
D484,969 S *	1/2004	Tai	.....	D23/413
6,890,155 B2 *	5/2005	Cartwright	.....	F04D 29/023 416/229 R
D506,826 S *	6/2005	Frampton	.....	D23/411
D507,646 S *	7/2005	Young	.....	D23/413

D517,200 S *	3/2006	Frampton	.....	D23/413
D517,201 S *	3/2006	Gajewski	.....	D23/413
D597,649 S *	8/2009	Frampton	.....	D23/377
D597,650 S *	8/2009	Orozco	.....	D23/377
D627,457 S *	11/2010	Klausing	.....	D23/413
D633,193 S *	2/2011	Frampton	.....	D23/413
D633,194 S *	2/2011	Frampton	.....	D23/413
D636,480 S *	4/2011	Frampton	.....	D23/377
D645,556 S *	9/2011	Orozco	.....	D23/413
D672,026 S *	12/2012	Glasbrenner	.....	D23/377
D729,928 S *	5/2015	Thornton	.....	D23/413
2003/0202881 A1 *	10/2003	MacCuaig	.....	F04D 29/34 416/62

\* cited by examiner

*Primary Examiner* — Janice Hallmark

(74) *Attorney, Agent, or Firm* — Pai Patent & Trademark Law Firm; Chao-Chang David Pai

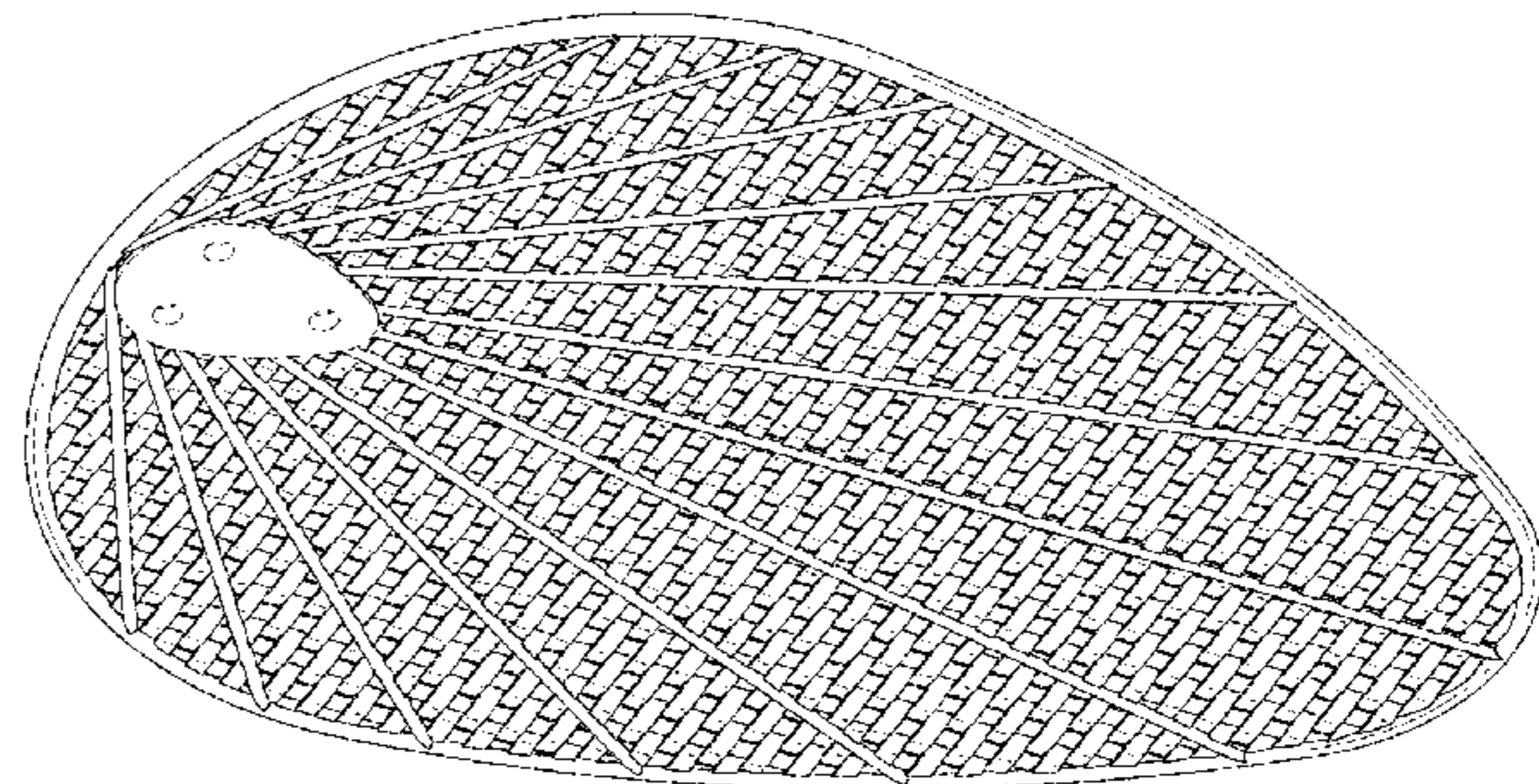
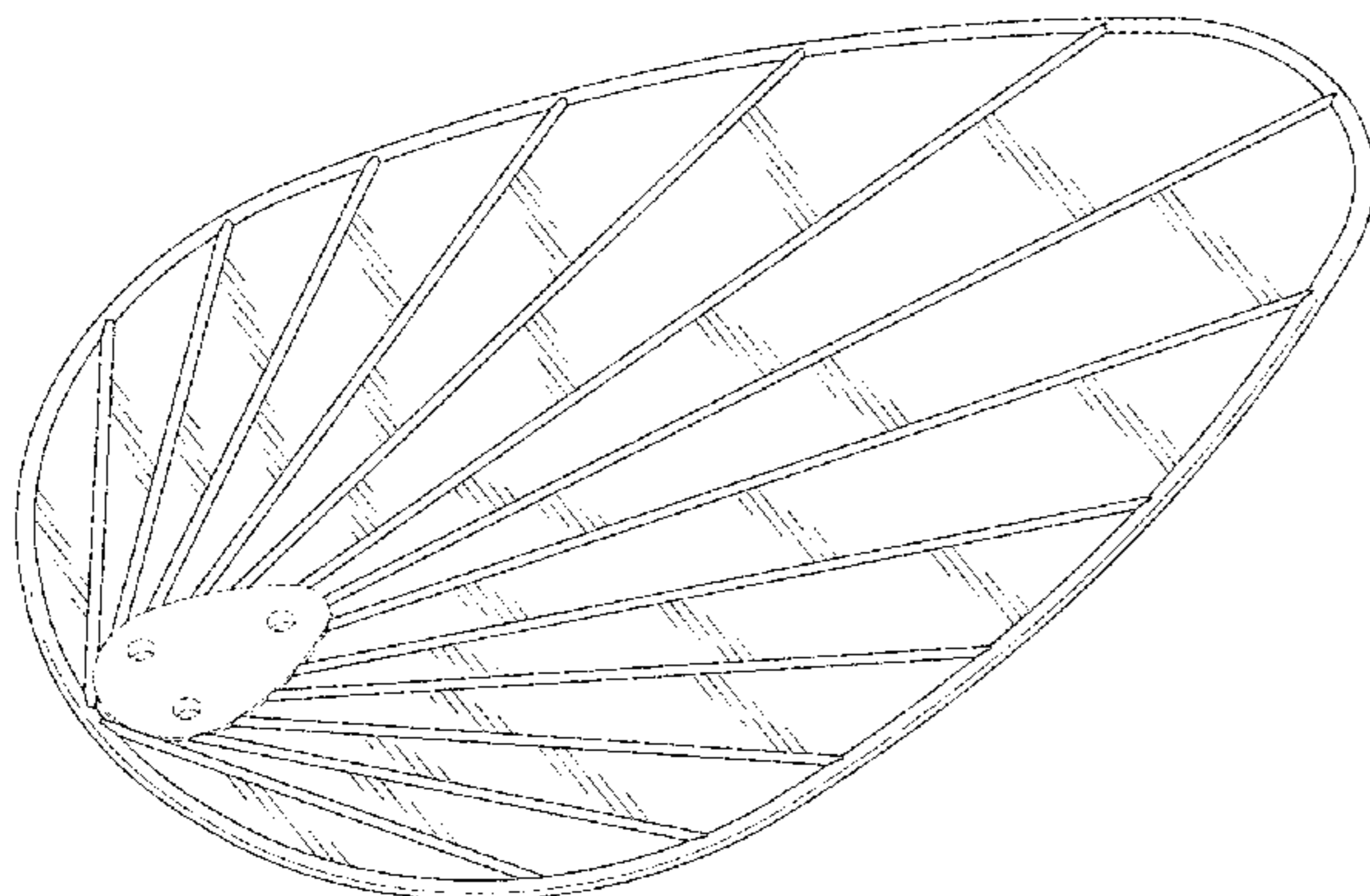
(57) **CLAIM**

The ornamental design for a ceiling fan blade, as shown and described.

**DESCRIPTION**

FIG. 1 is a front perspective view of a ceiling fan blade showing my new design;  
 FIG. 2 is a front elevational view thereof;  
 FIG. 3 is a rear elevational view thereof;  
 FIG. 4 is a left side elevational view thereof;  
 FIG. 5 is a right side elevational view thereof;  
 FIG. 6 is a top plan view thereof;  
 FIG. 7 is a bottom plan view thereof; and,  
 FIG. 8 is another front perspective view thereof.  
 The broken lines are for the purpose of illustrating environmental structure and form no part of the claimed design.

**1 Claim, 6 Drawing Sheets**



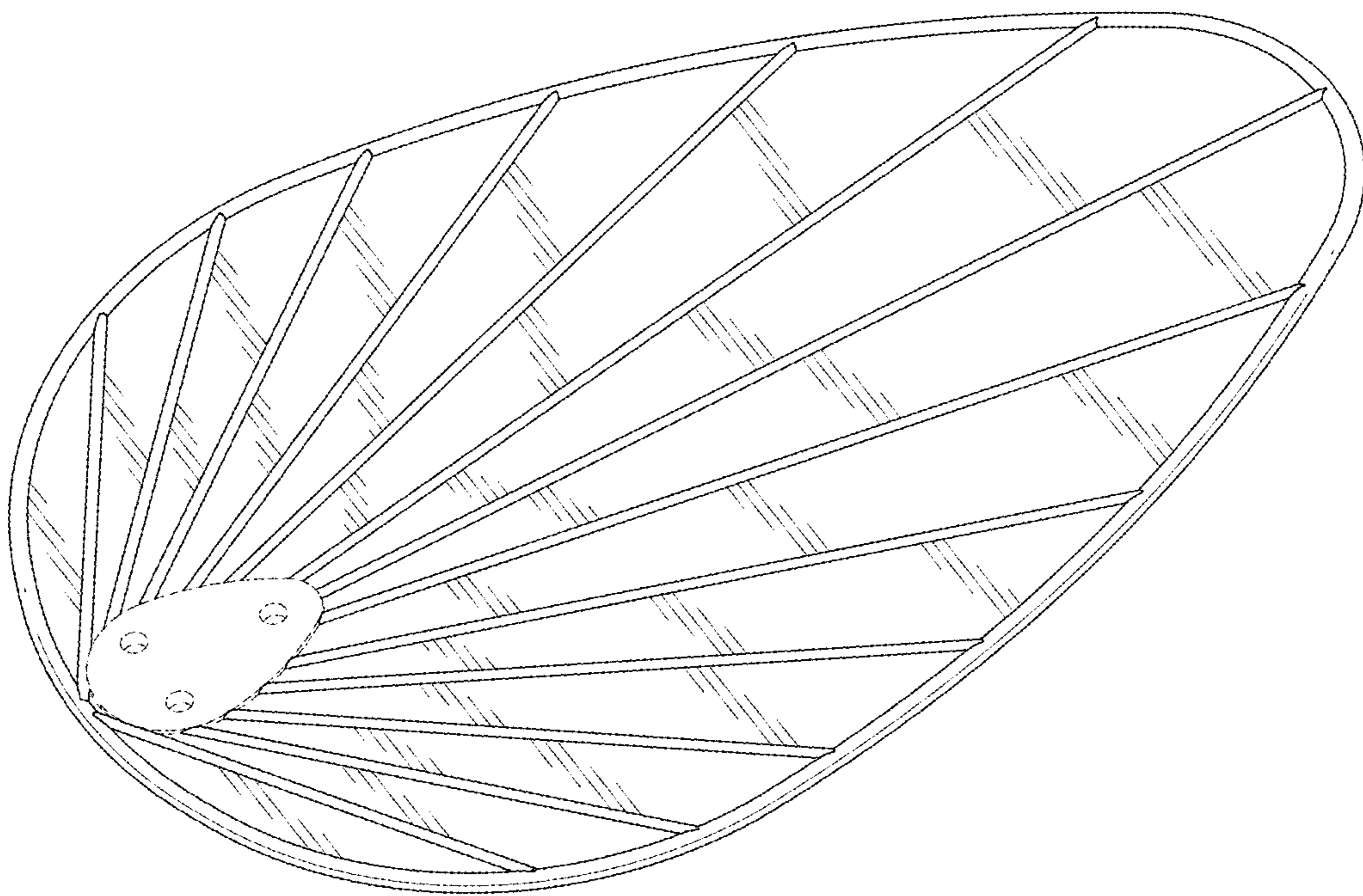


FIG. 1

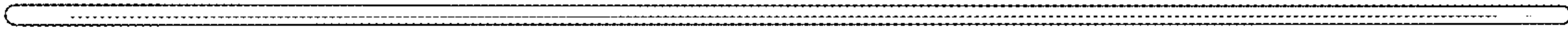


FIG. 2

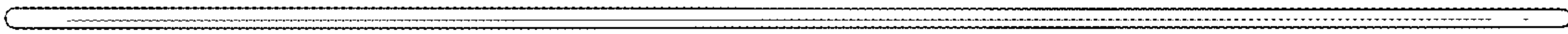


FIG. 3

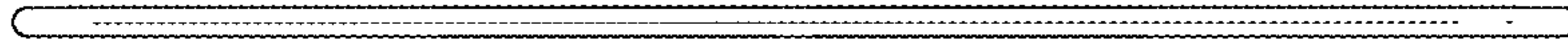


FIG. 4

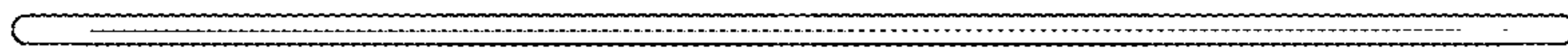


FIG. 5



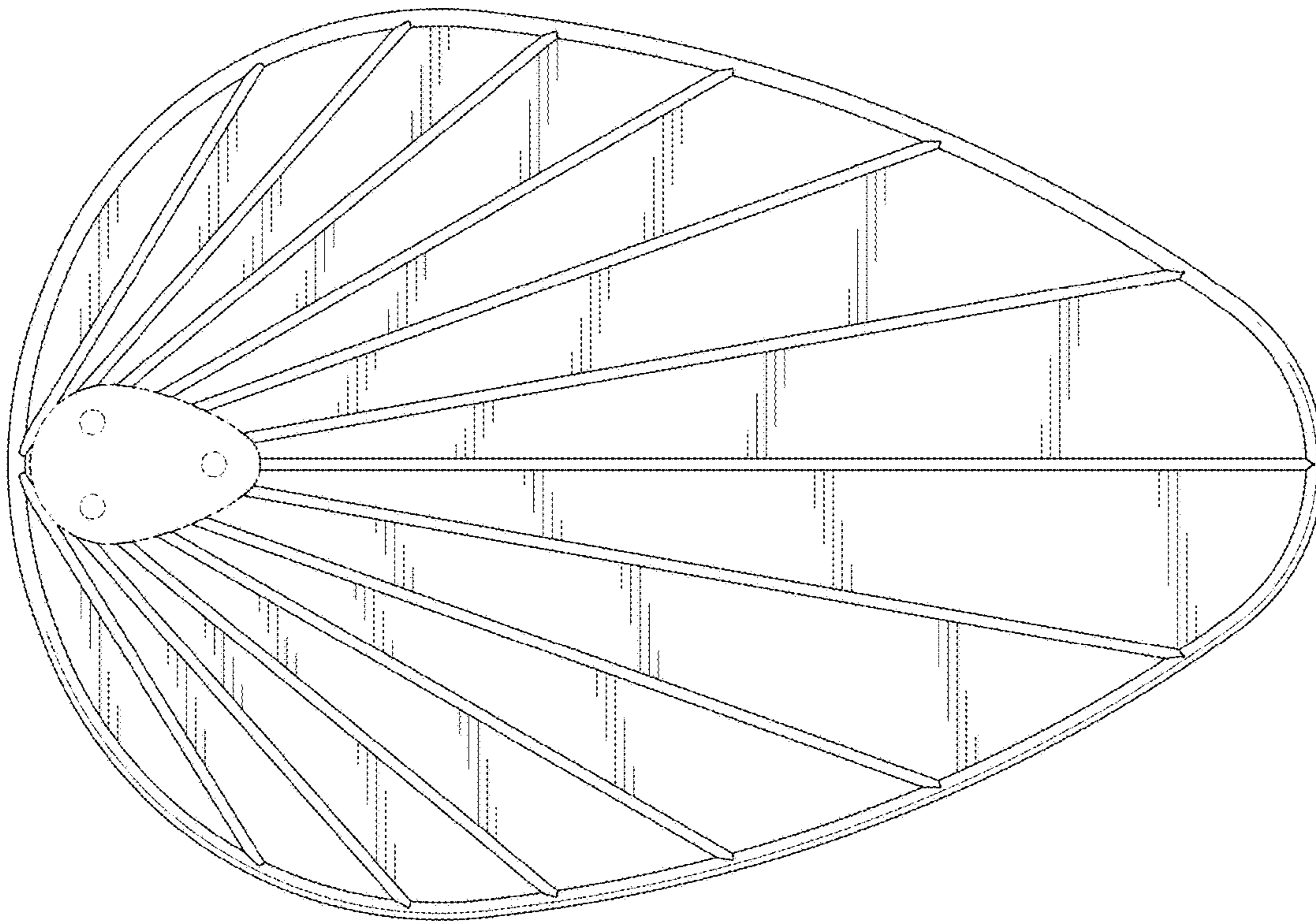


FIG. 6

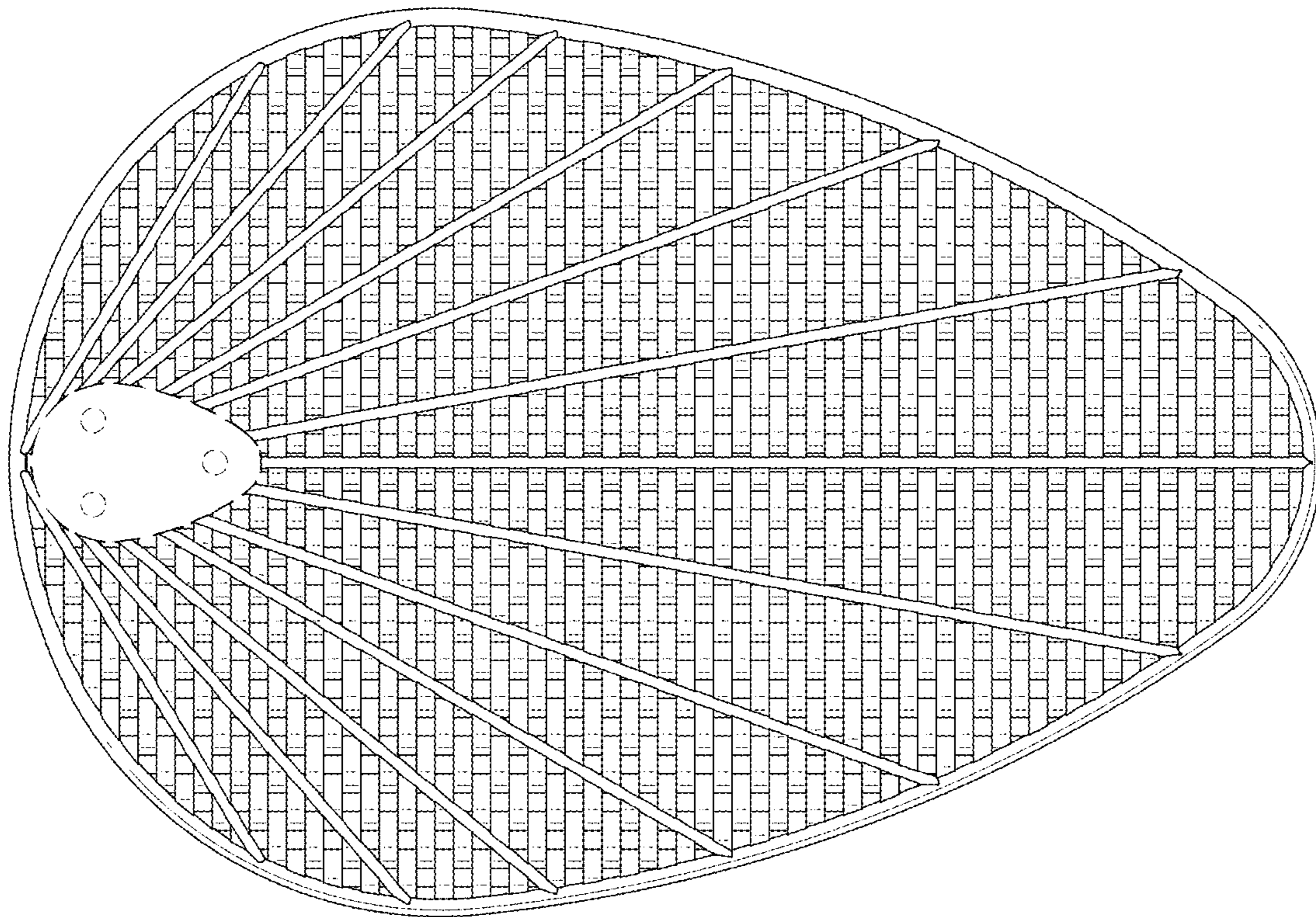


FIG. 7

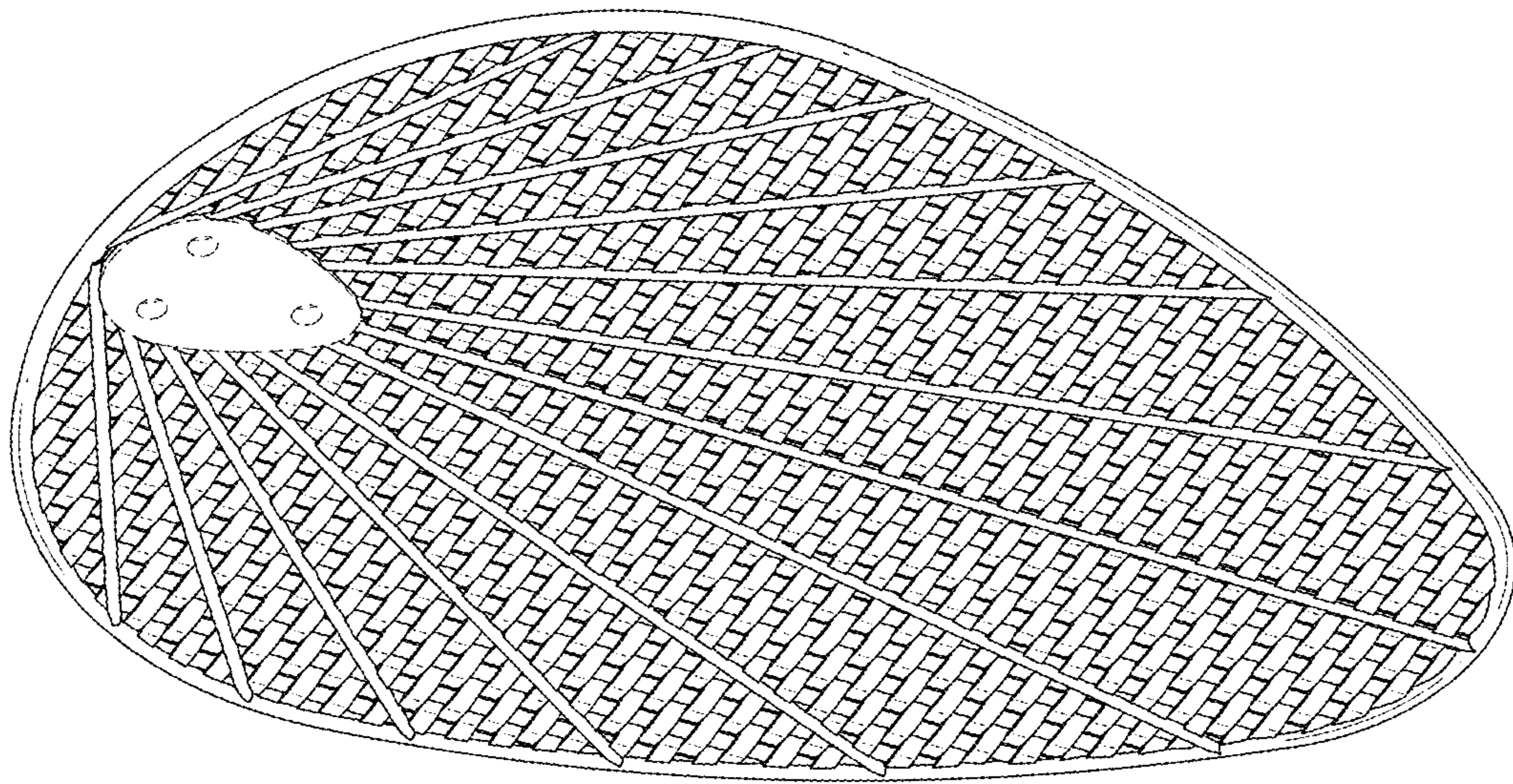


FIG. 8