



US00D799687S

(12) **United States Design Patent**
Wang

(10) **Patent No.:** **US D799,687 S**
(45) **Date of Patent:** **** Oct. 10, 2017**

- (54) **FAN BLADE WITH BRACKET**
- (71) Applicant: **YOUNGO LIMITED**, Hong Kong (CN)
- (72) Inventor: **Cliff Wang**, Taichung (TW)
- (73) Assignee: **YOUNGO LIMITED**, Hong Kong (CN)
- (**) Term: **15 Years**
- (21) Appl. No.: **29/549,190**
- (22) Filed: **Dec. 18, 2015**
- (51) **LOC (10) Cl.** **23-04**
- (52) **U.S. Cl.**
USPC **D23/413**; D23/411
- (58) **Field of Classification Search**
USPC D23/370-387, 411-414, 365, 355, 342, D23/332, 328, 337, 335, 314, 393; 415/60, 66, 68, 208.1, 213.1, 214.1, 415/209.3; 310/257; 361/695; 126/299 D, 299 R; D26/59, 89; D12/214
CPC F01D 9/042; F04D 25/08; F04D 29/70; F04D 29/34; F04D 19/00; F04D 29/38; F24F 7/007; F24F 13/082; F24F 7/065; F24F 13/078
See application file for complete search history.

(56) **References Cited**

U.S. PATENT DOCUMENTS

- D382,955 S * 8/1997 Liu D23/377
- D582,030 S * 12/2008 Pickett D23/411

- D604,829 S * 11/2009 Liu D23/413
- D670,801 S * 11/2012 Searle D23/411
- D706,411 S * 6/2014 Wang D23/413
- D743,529 S * 11/2015 Pan D23/413
- D744,083 S * 11/2015 Wang D23/413
- D745,133 S * 12/2015 Wang D23/413
- D745,658 S * 12/2015 Wang D23/413
- D750,221 S * 2/2016 Schulzman D23/413
- D773,640 S * 12/2016 Wang D23/413
- 2013/0220542 A1 * 8/2013 Parkin F04D 29/324 156/331.7

* cited by examiner

Primary Examiner — Janice Hallmark

(74) *Attorney, Agent, or Firm* — Pai Patent & Trademark Law Firm; Chao-Chang David Pai

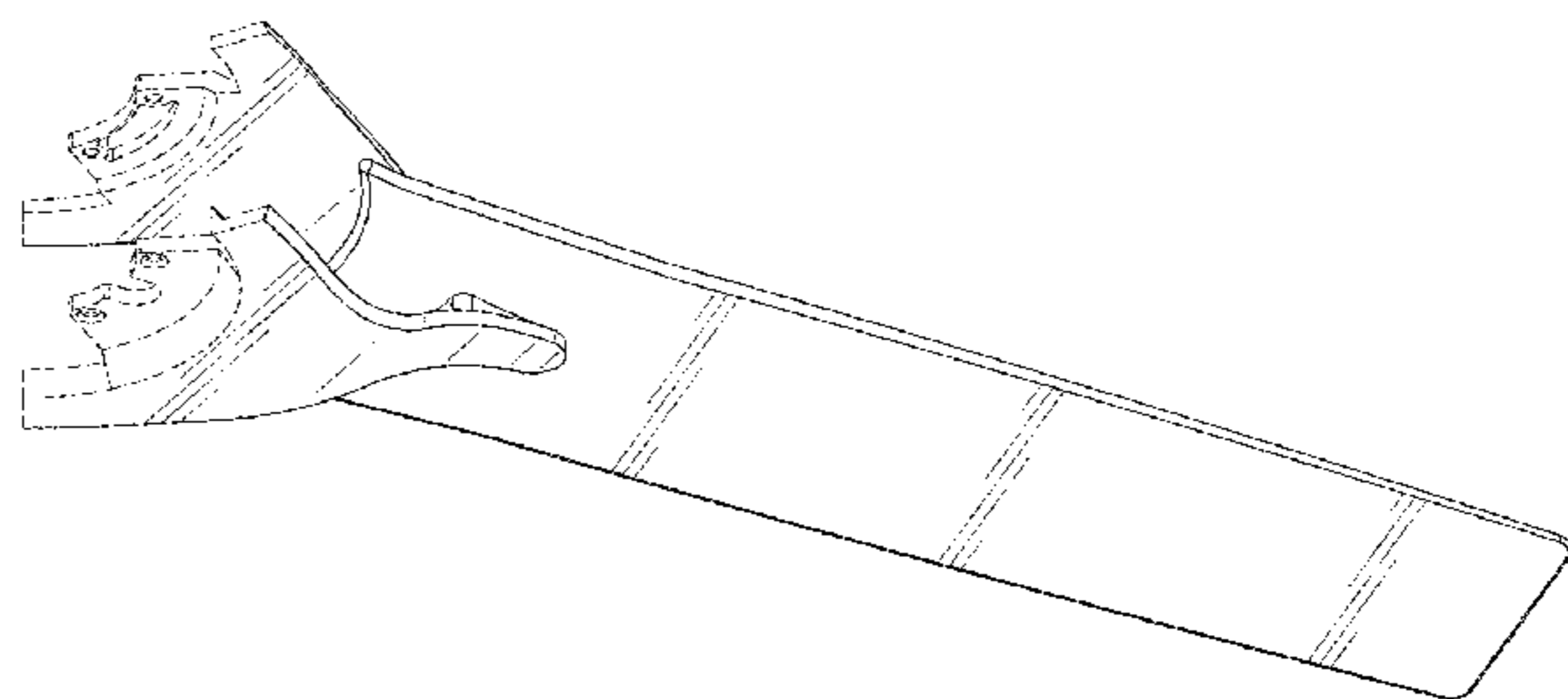
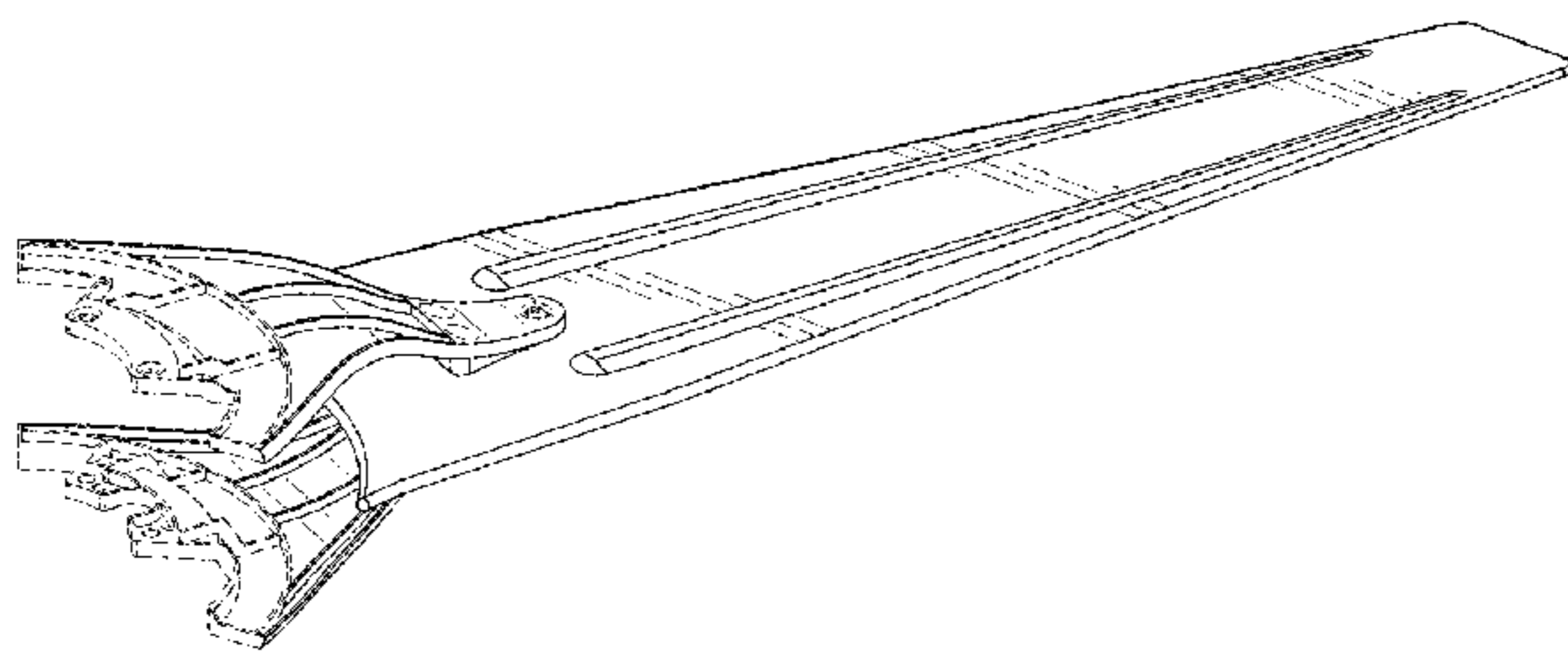
(57) **CLAIM**

The ornamental design for a fan blade with bracket, as shown and described.

DESCRIPTION

FIG. 1 is a front top perspective view of a fan blade with bracket showing my new design;
 FIG. 2 is a front elevational view thereof;
 FIG. 3 is a rear elevational view thereof;
 FIG. 4 is a left side elevational view thereof;
 FIG. 5 is a right side elevational view thereof;
 FIG. 6 is a top plan view thereof;
 FIG. 7 is a bottom plan view thereof; and,
 FIG. 8 is a front bottom perspective view thereof.
 The broken lines are for the purpose of illustrating environmental structure and form no part of the claimed design.

1 Claim, 5 Drawing Sheets



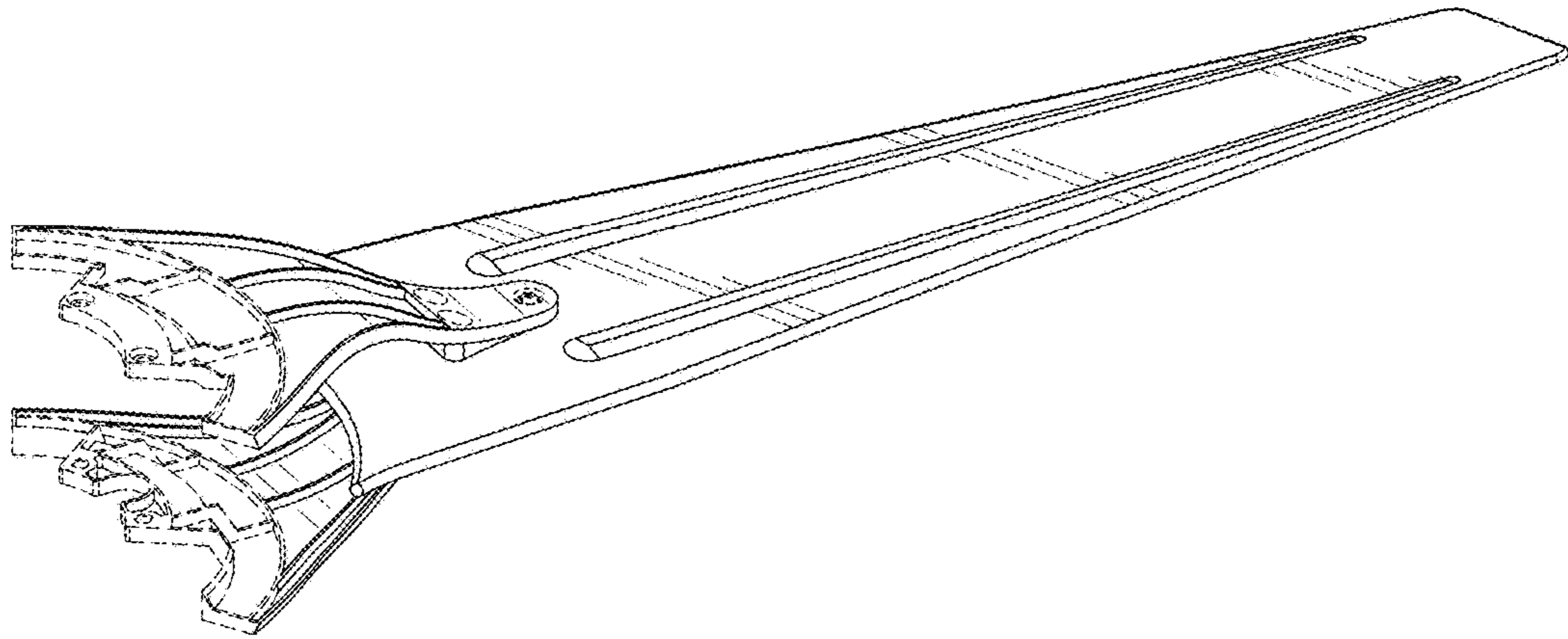


FIG. 1

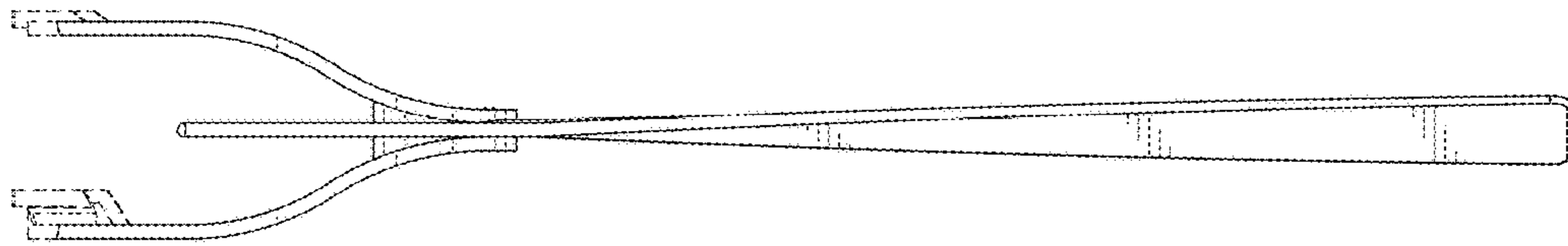


FIG. 2

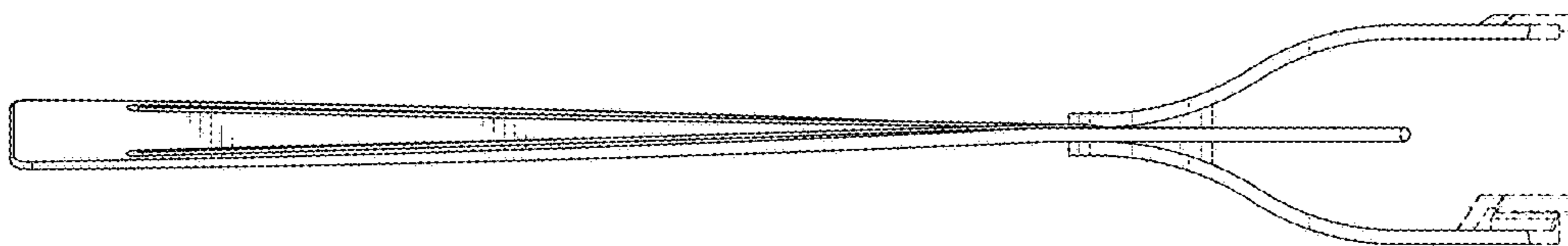


FIG. 3

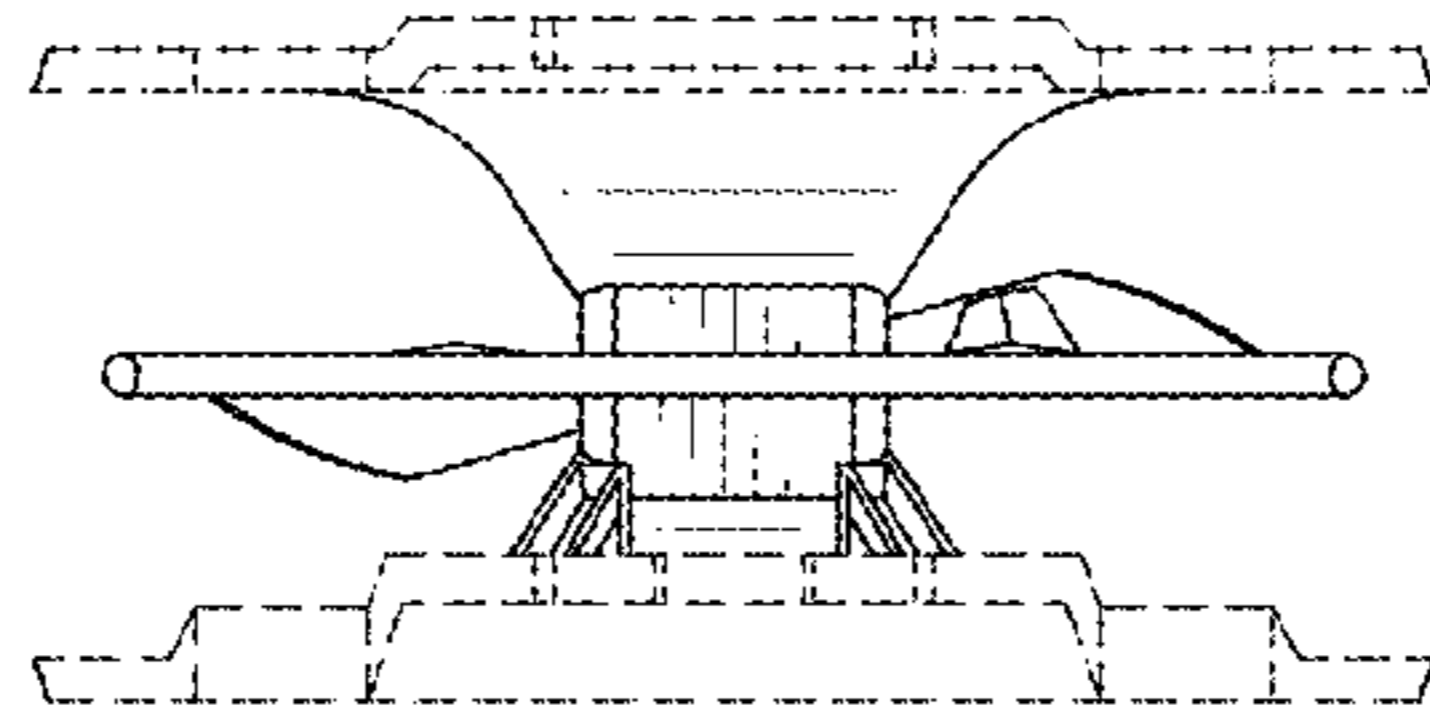


FIG. 4

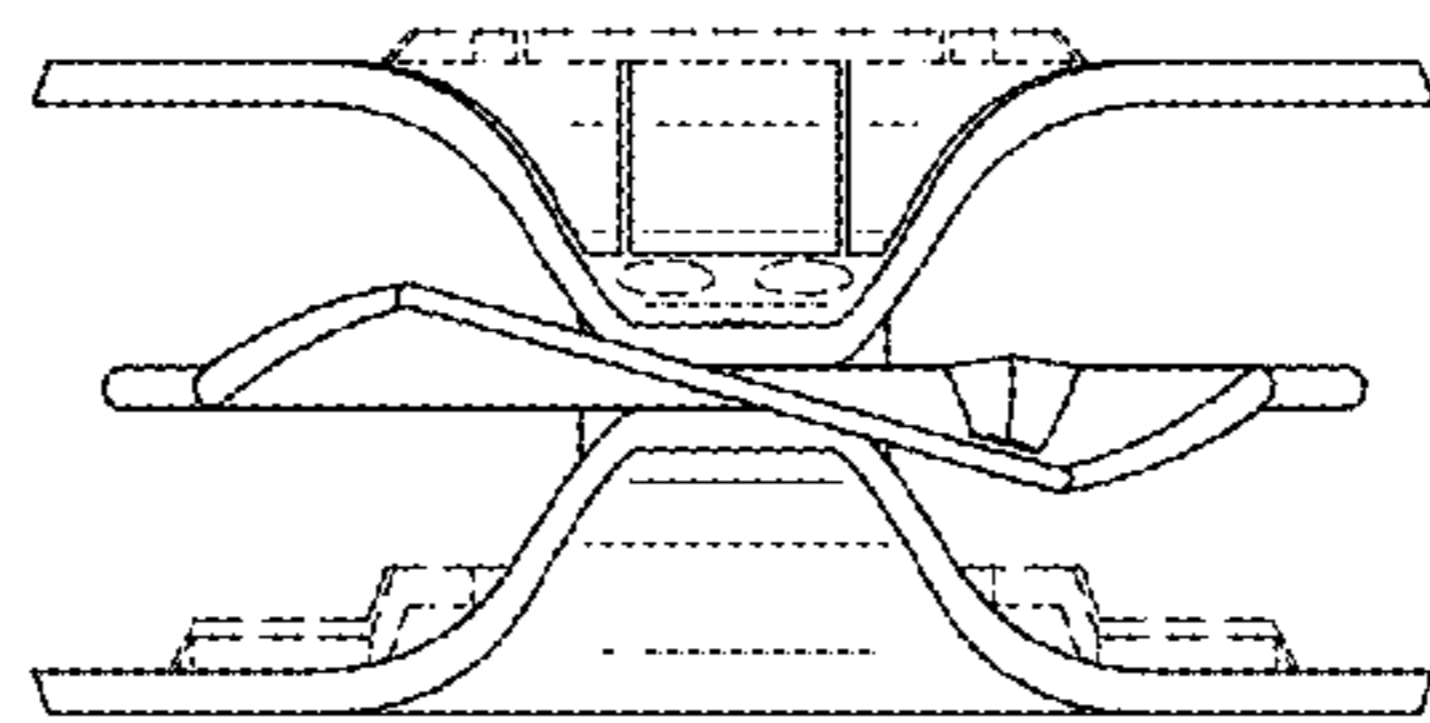


FIG. 5

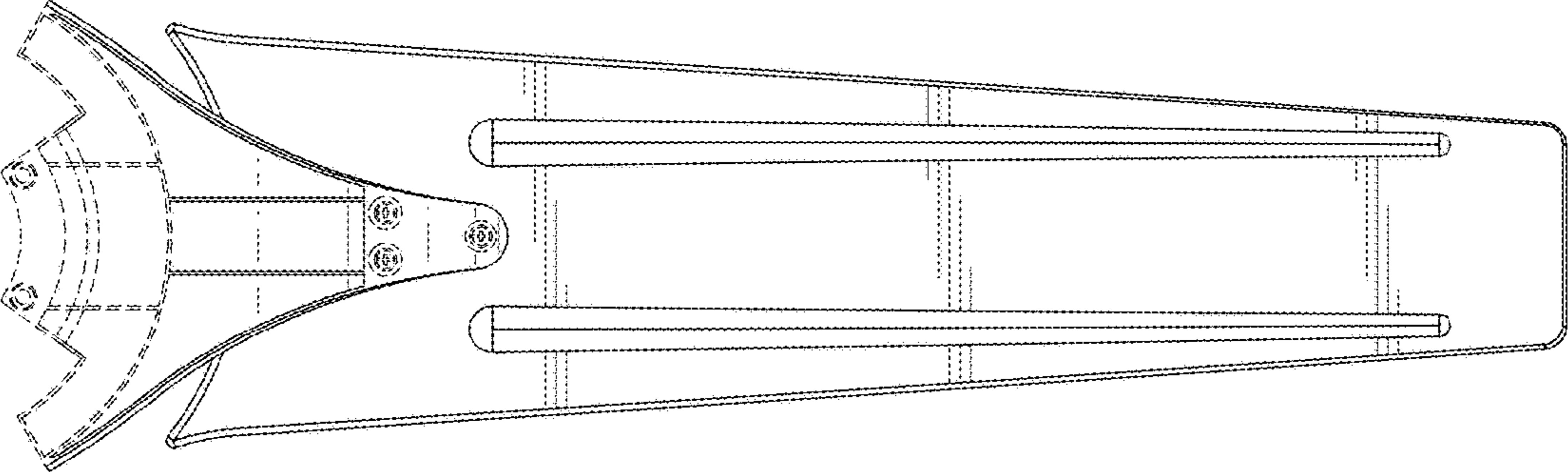


FIG. 6

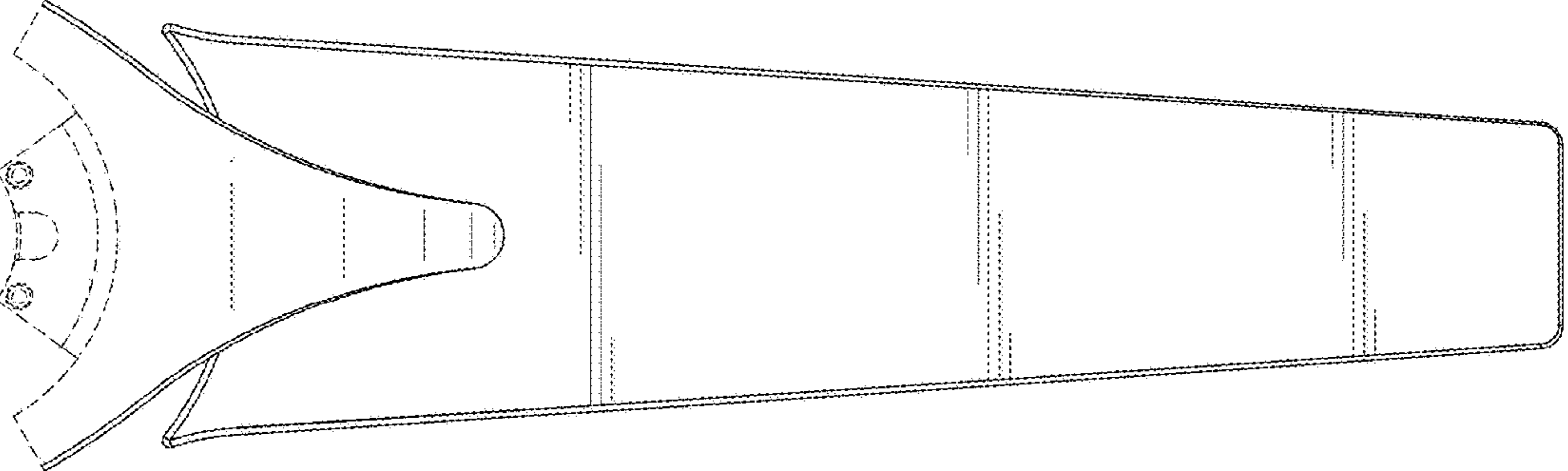


FIG. 7

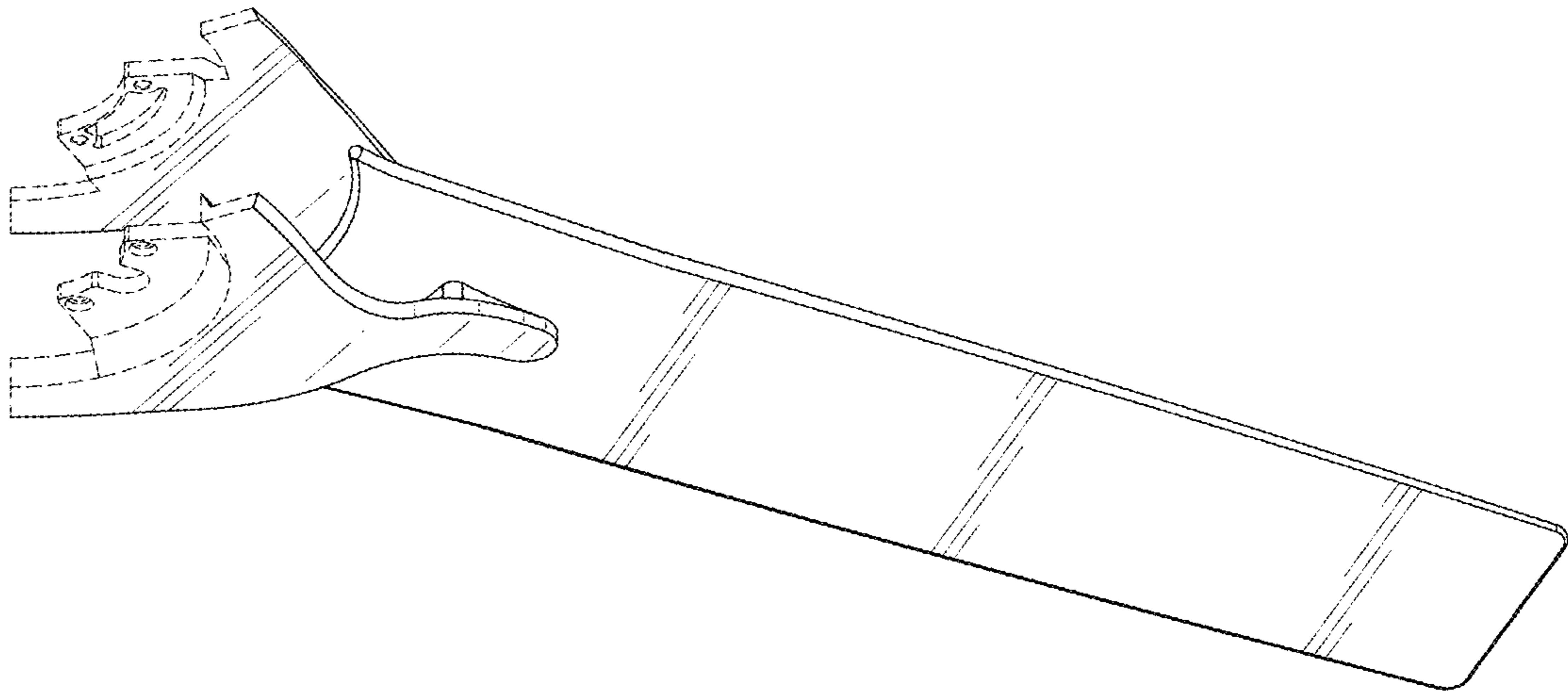


FIG. 8