



US00D799683S

(12) **United States Design Patent**  
**Wang**

(10) **Patent No.:** **US D799,683 S**

(45) **Date of Patent:** **\*\* Oct. 10, 2017**

(54) **FAN BLADE BRACKET**

(71) Applicant: **AIR COOL INDUSTRIAL CO., LTD.**, Taichung (TW)

(72) Inventor: **Cliff Wang**, Taichung (TW)

(73) Assignee: **AIR COOL INDUSTRIAL CO., LTD.**, Taichung (TW)

(\*\*) Term: **15 Years**

(21) Appl. No.: **29/574,283**

(22) Filed: **Aug. 12, 2016**

(51) **LOC (10) Cl.** ..... **23-04**

(52) **U.S. Cl.**  
USPC ..... **D23/411**

(58) **Field of Classification Search**  
USPC ..... D23/370, 377, 379, 381, 382, 385, 411,  
D23/413, 414, 332, 328; D26/59;  
D8/380, 381  
CPC ..... F04D 25/08; F04D 29/388; F04D 29/34;  
F04D 25/088; H02K 1/187  
See application file for complete search history.

(56) **References Cited**

**U.S. PATENT DOCUMENTS**

D526,406 S \* 8/2006 Hidalgo ..... D23/411  
D528,652 S \* 9/2006 Hidalgo ..... D23/411

D705,922 S \* 5/2014 Wang ..... D23/411  
D706,409 S \* 6/2014 Wang ..... D23/411  
D745,960 S \* 12/2015 Pickett ..... D23/411  
D773,636 S \* 12/2016 Wang ..... D23/411  
D778,427 S \* 2/2017 Hidalgo ..... D23/411  
2009/0246028 A1\* 10/2009 Richardson ..... F04D 29/34  
416/210 R

\* cited by examiner

*Primary Examiner* — Janice Hallmark

(74) *Attorney, Agent, or Firm* — Pai Patent & Trademark Law Firm; Chao-Chang David Pai

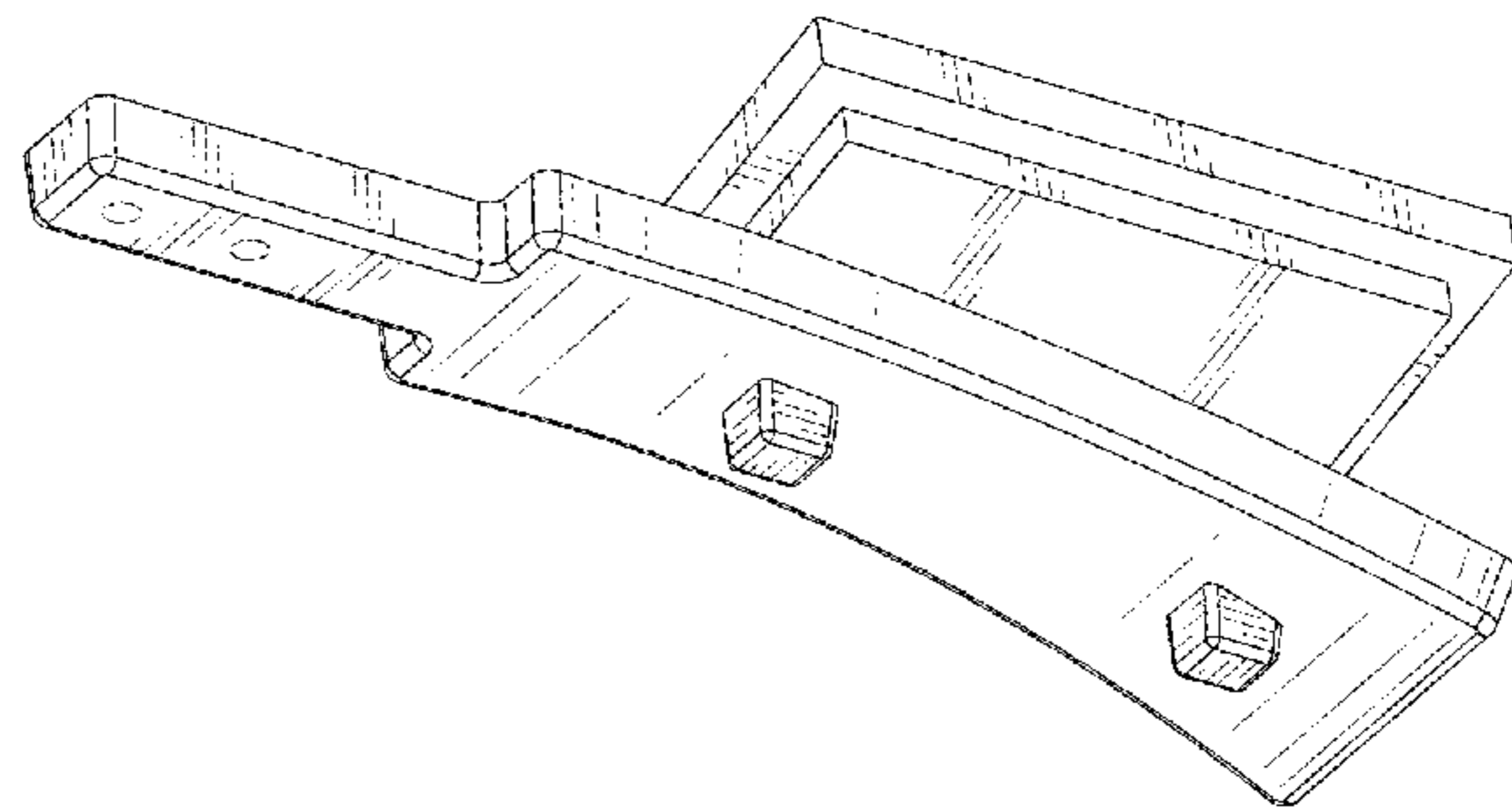
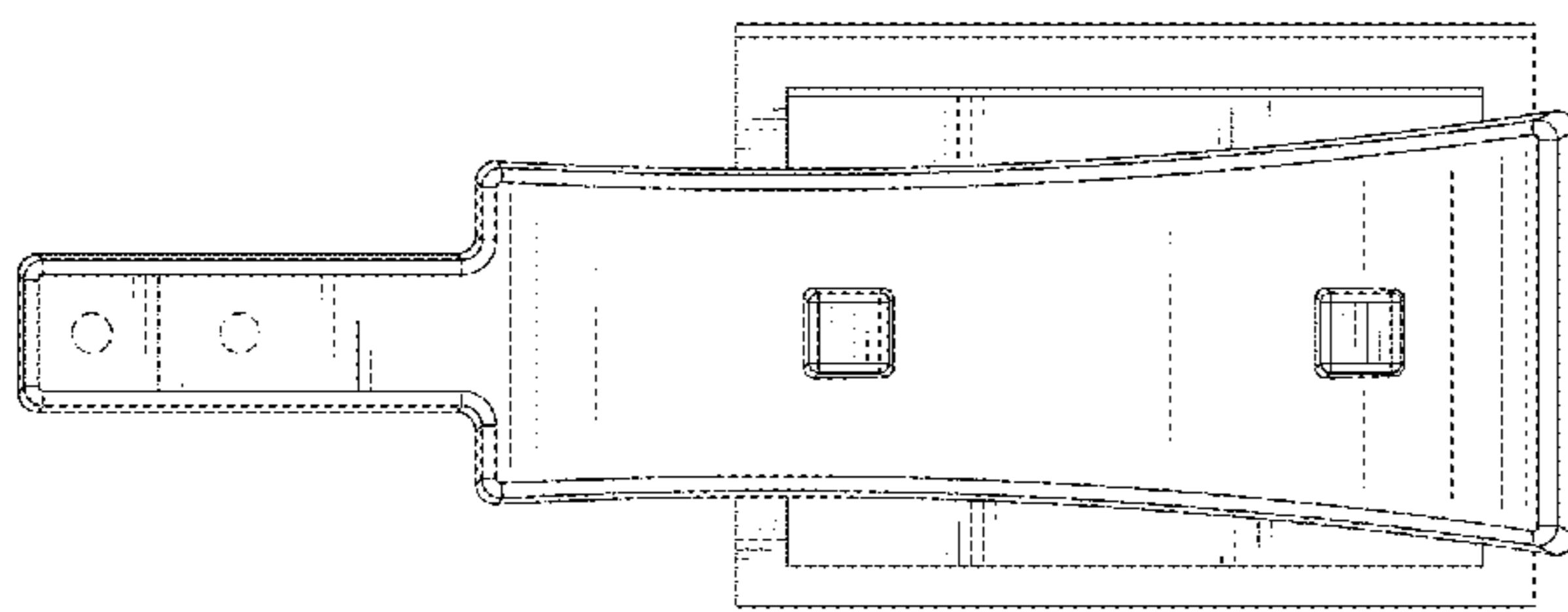
(57) **CLAIM**

The ornamental design for a fan blade bracket, as shown and described.

**DESCRIPTION**

FIG. 1 is a front top perspective view of a fan blade bracket showing my new design;  
FIG. 2 is a front elevational view thereof;  
FIG. 3 is a rear elevational view thereof;  
FIG. 4 is a left side elevational view thereof;  
FIG. 5 is a right side elevational view thereof;  
FIG. 6 is a top plan view thereof;  
FIG. 7 is a bottom plan view thereof; and,  
FIG. 8 is a front bottom perspective view thereof.  
The broken lines are for the purpose of illustrating environmental structure and form no part of the claimed design.

**1 Claim, 5 Drawing Sheets**



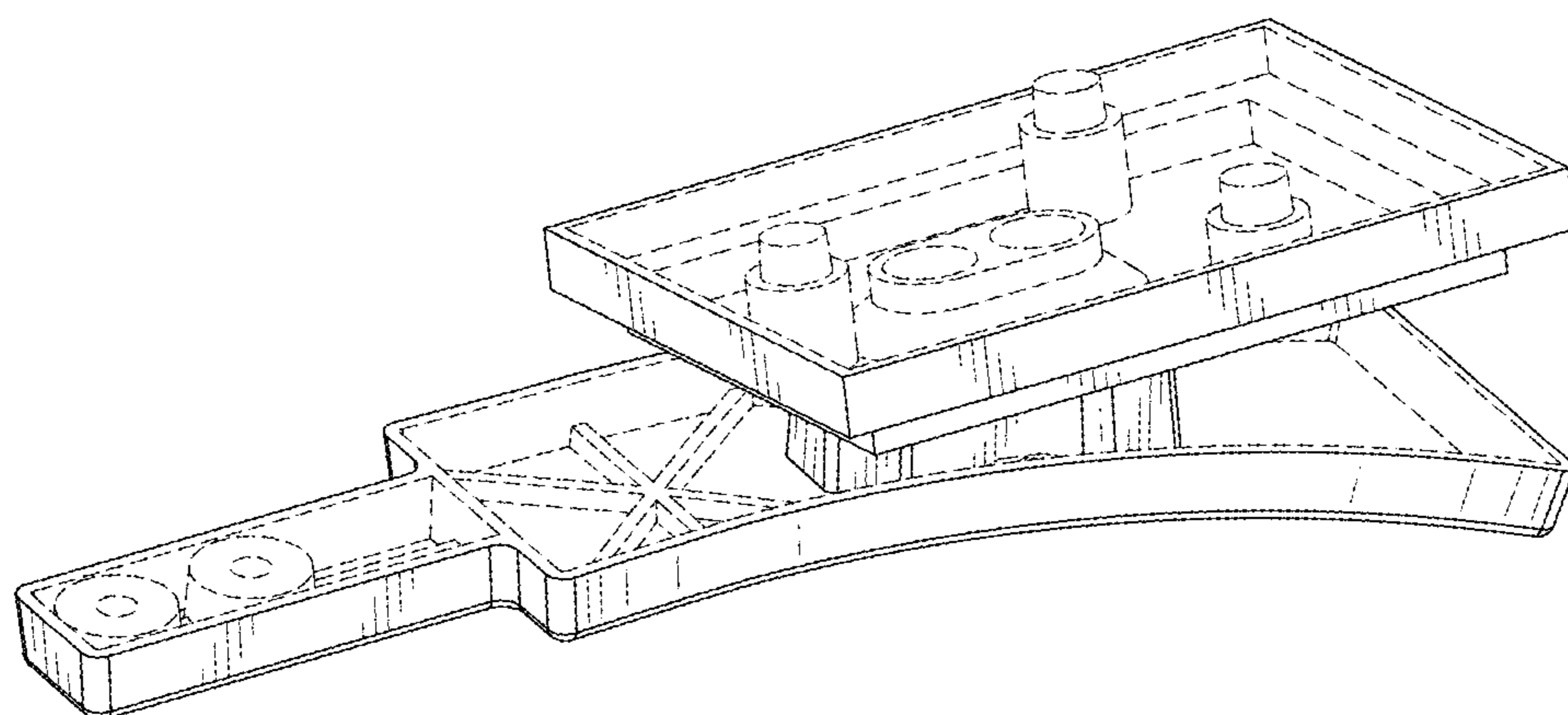


FIG. 1

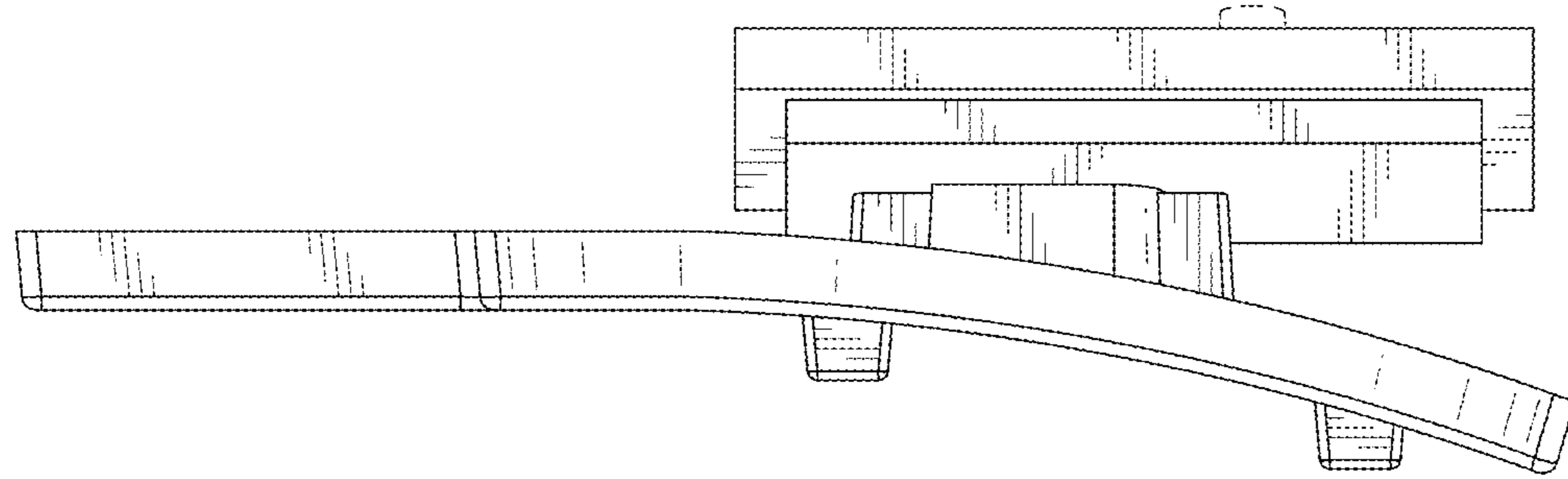


FIG. 2

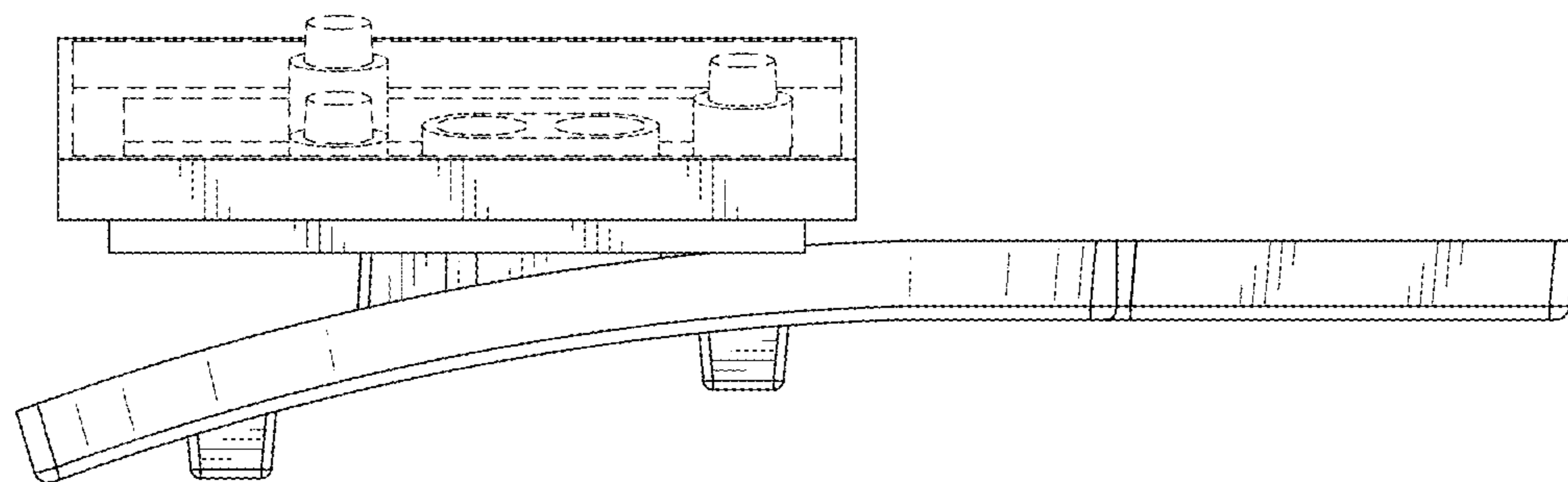


FIG. 3

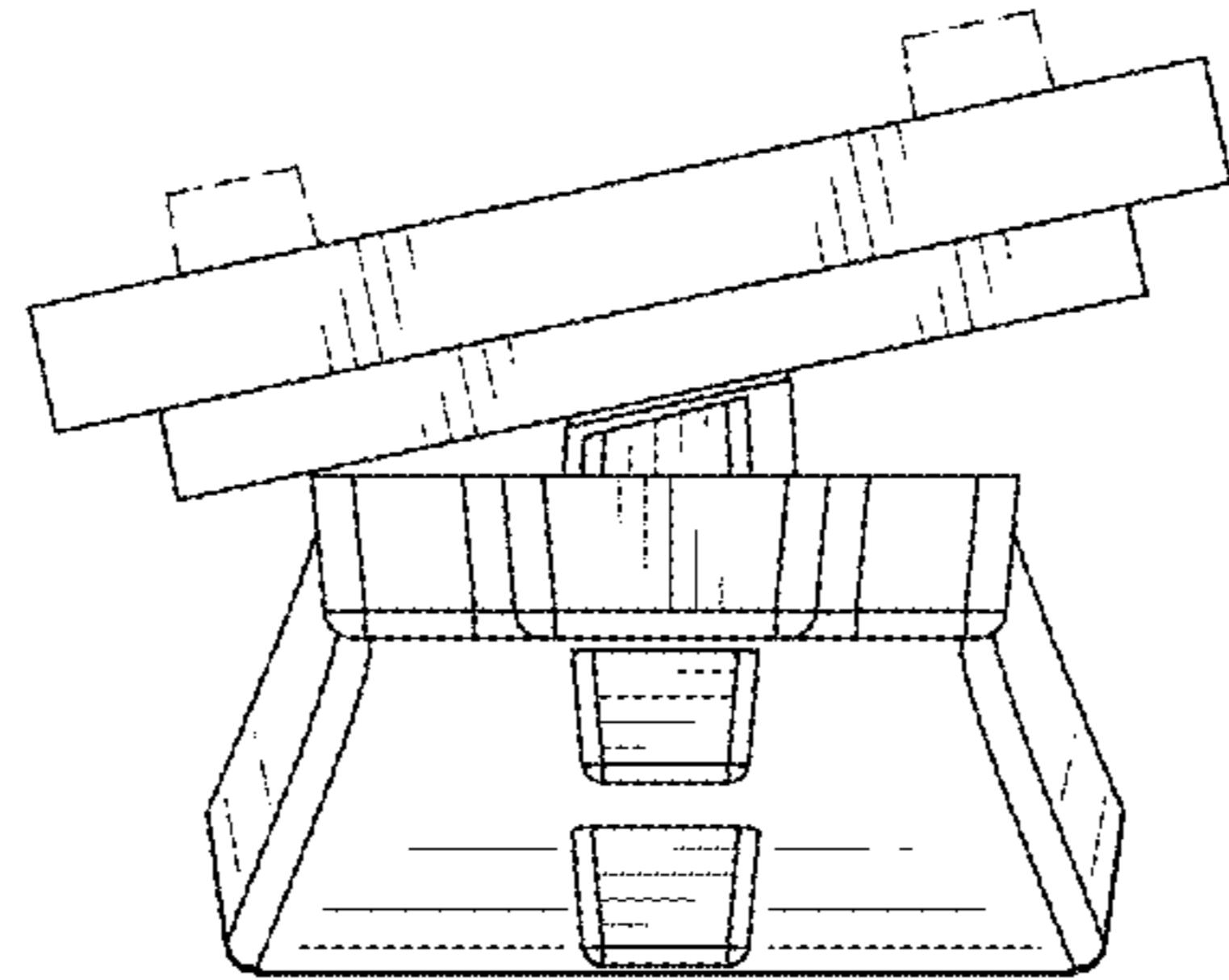


FIG. 4

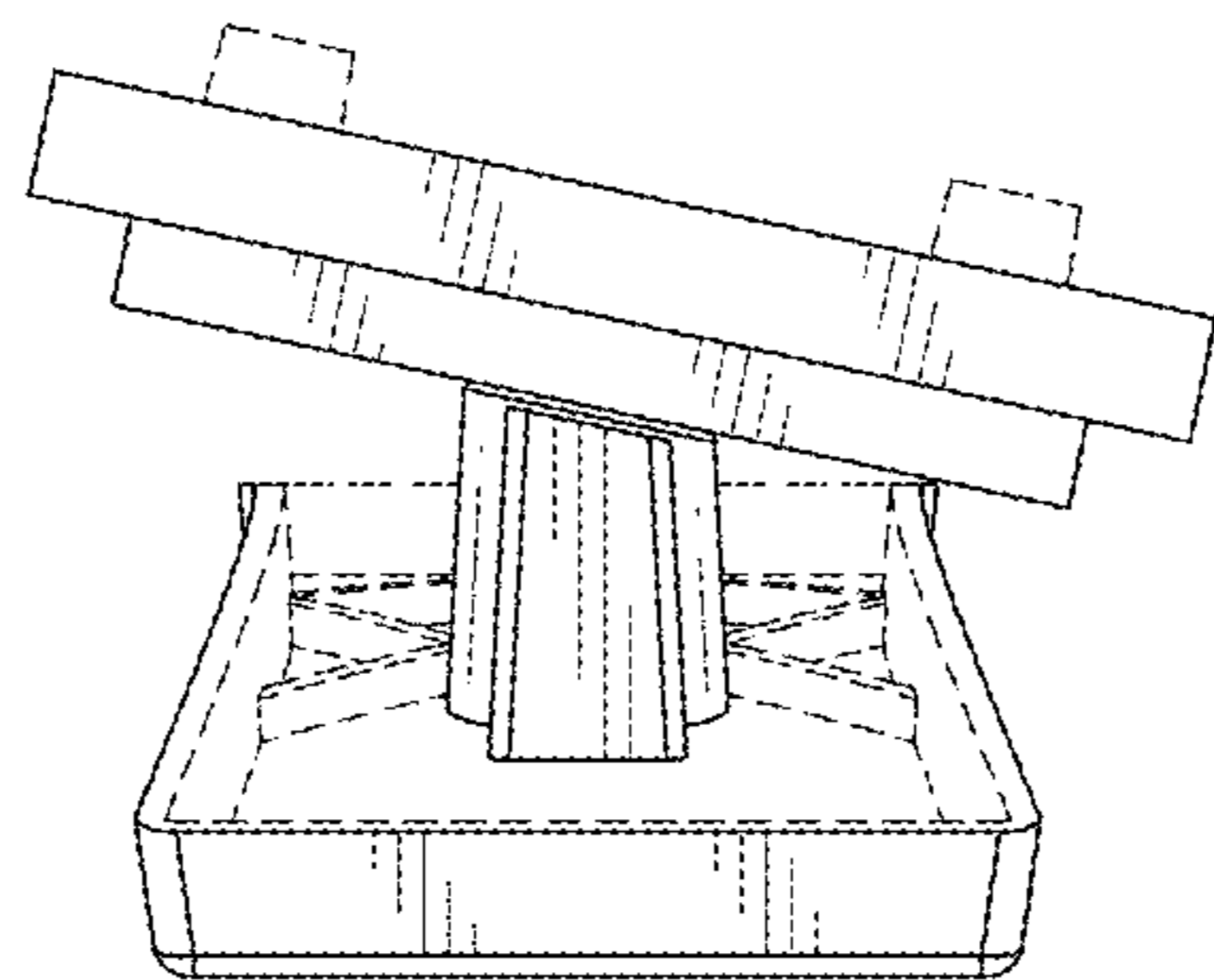


FIG. 5

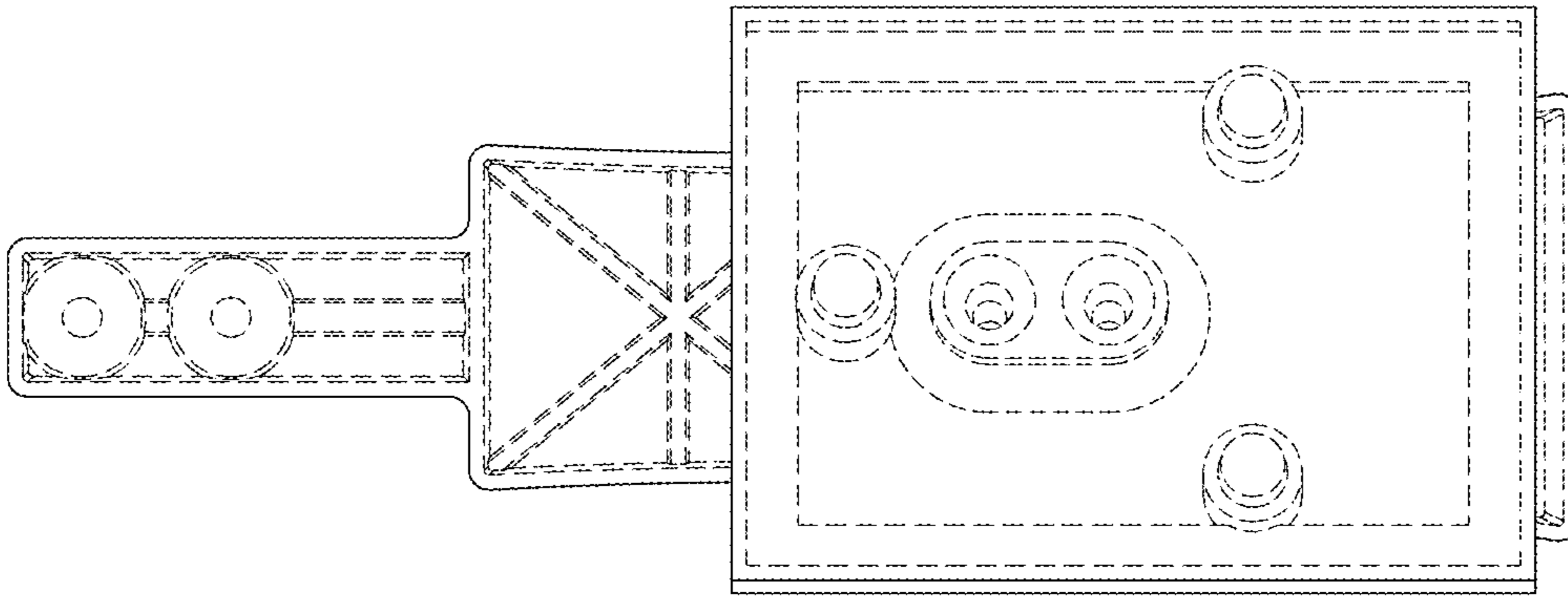


FIG. 6

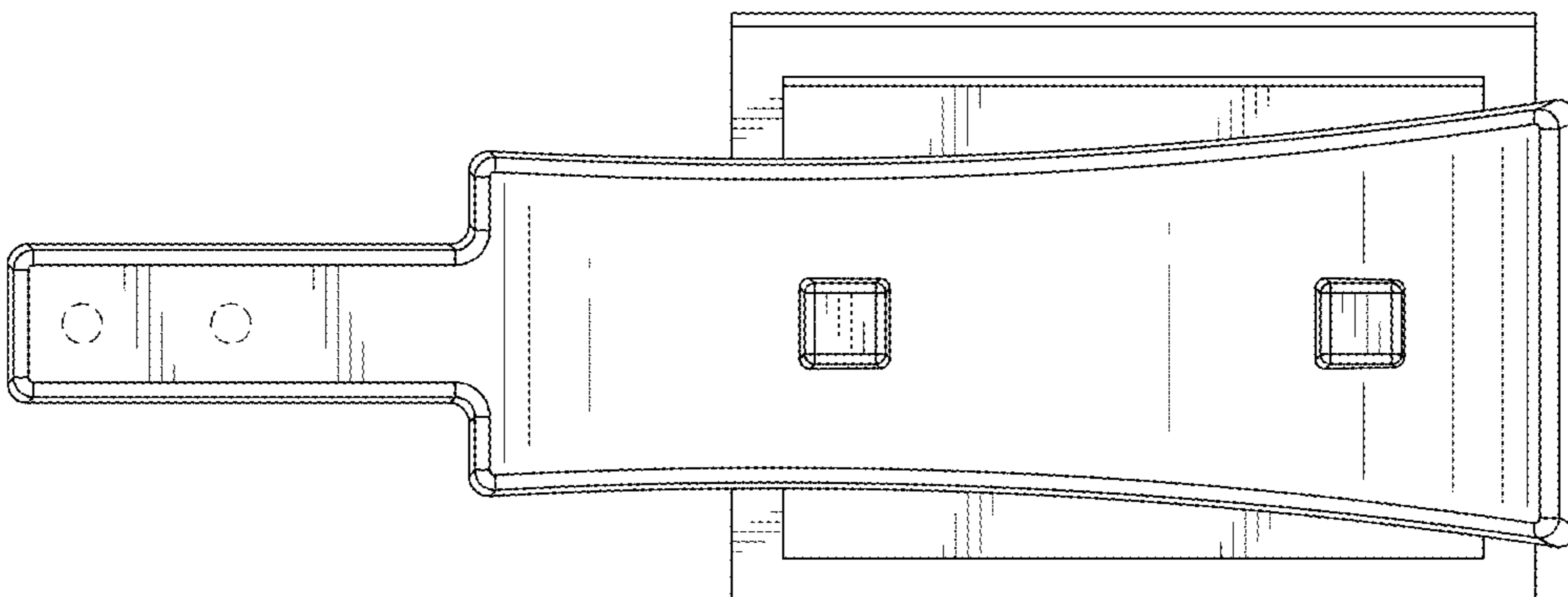


FIG. 7

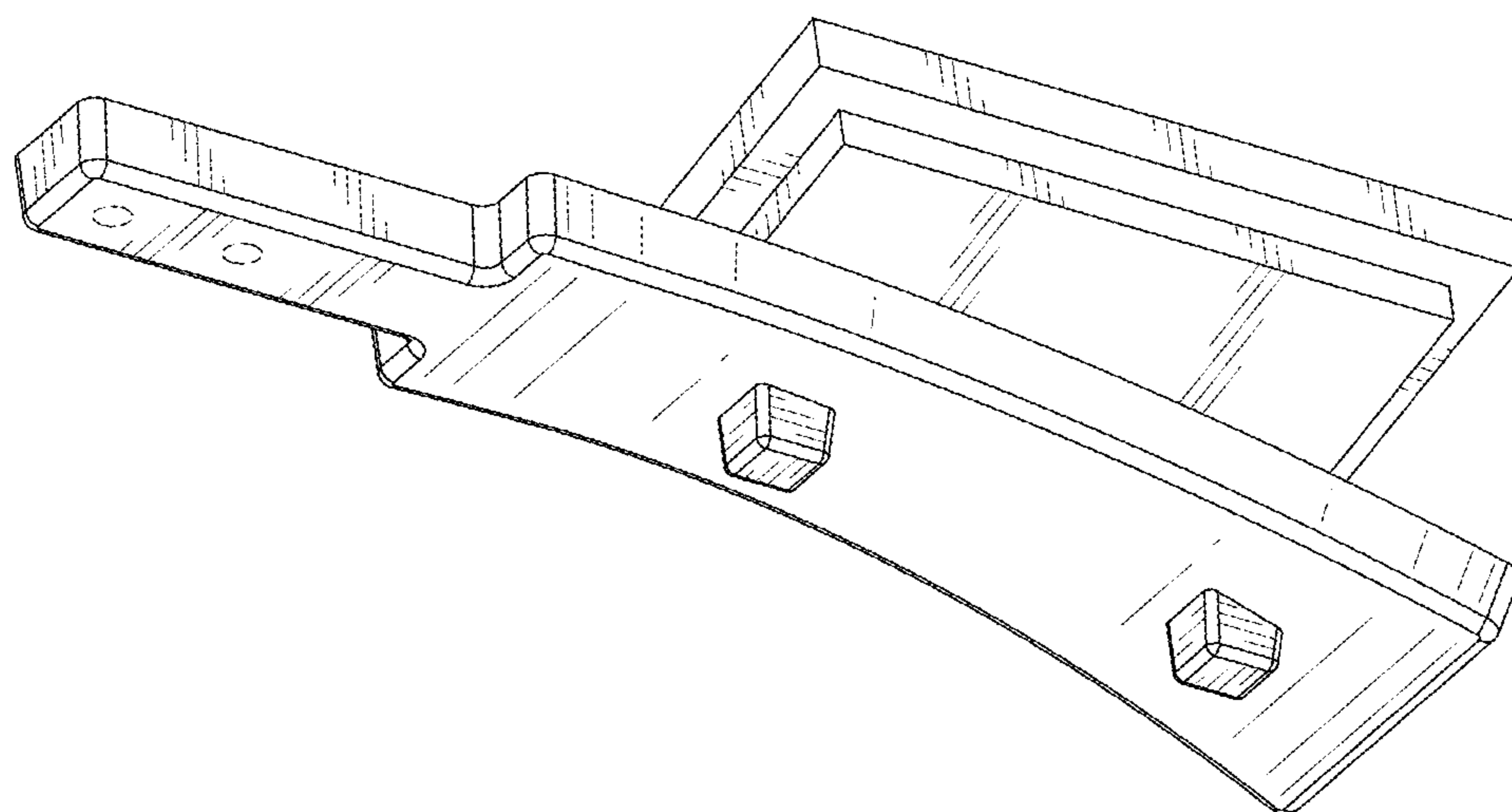


FIG. 8