



US00D799682S

(12) **United States Design Patent**
Wang

(10) **Patent No.:** **US D799,682 S**

(45) **Date of Patent:** **** Oct. 10, 2017**

(54) **CEILING FAN MOTOR HOUSING WITH LIGHT KIT**

(71) Applicant: **AIR COOL INDUSTRIAL CO., LTD.**, Taichung (TW)

(72) Inventor: **Cliff Wang**, Taichung (TW)

(73) Assignee: **AIR COOL INDUSTRIAL CO., LTD.**, Taichung (TW)

(**) Term: **15 Years**

(21) Appl. No.: **29/574,282**

(22) Filed: **Aug. 12, 2016**

(51) **LOC (10) Cl.** **23-04**

(52) **U.S. Cl.**
USPC **D23/411; D26/59**

(58) **Field of Classification Search**
USPC D23/370-387, 411-414, 365, 355, 342, D23/332, 328, 337, 335, 314, 393; 415/60, 66, 68, 208.1, 213.1, 214.1, 415/209.3; 310/257; 361/695; 126/299 D, 299 R; D26/59, 89
CPC F01D 9/042; F04D 25/08; F04D 29/70; F04D 29/34; F04D 19/00; F24F 7/007; F24F 13/082; F24F 7/065; F24F 13/078
See application file for complete search history.

(56) **References Cited**

U.S. PATENT DOCUMENTS

D545,424 S * 6/2007 Ertze D23/411
D671,631 S * 11/2012 Searle D23/411
D704,822 S * 5/2014 Wang D23/411

D706,918 S * 6/2014 Wang D23/411
D706,919 S * 6/2014 Wang D23/411
D744,081 S * 11/2015 Wang D23/411
D745,959 S * 12/2015 Ertze D23/411
D745,961 S * 12/2015 Pickett D23/411
D771,794 S * 11/2016 Wang D23/411
D771,795 S * 11/2016 Wang D23/411
D773,637 S * 12/2016 Ertze D23/377
D779,052 S * 2/2017 Gajewski D23/411
2008/0089791 A1 * 4/2008 Cartwright F04D 29/646
416/244 R
2016/0131152 A1 * 5/2016 Wang F04D 29/34
416/214 R

* cited by examiner

Primary Examiner — Janice Hallmark

(74) *Attorney, Agent, or Firm* — Pai Patent & Trademark Law Firm; Chao-Chang David Pai

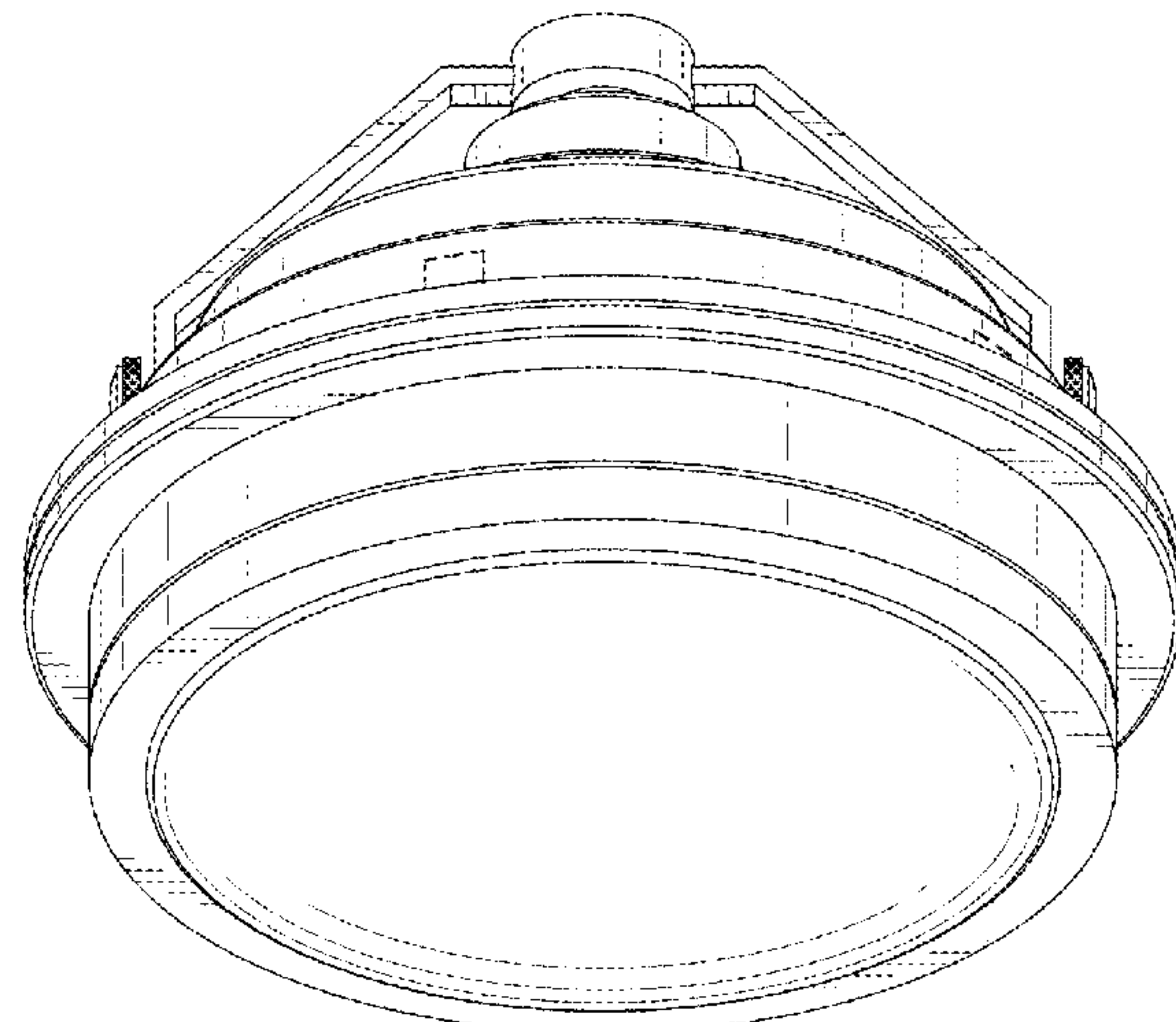
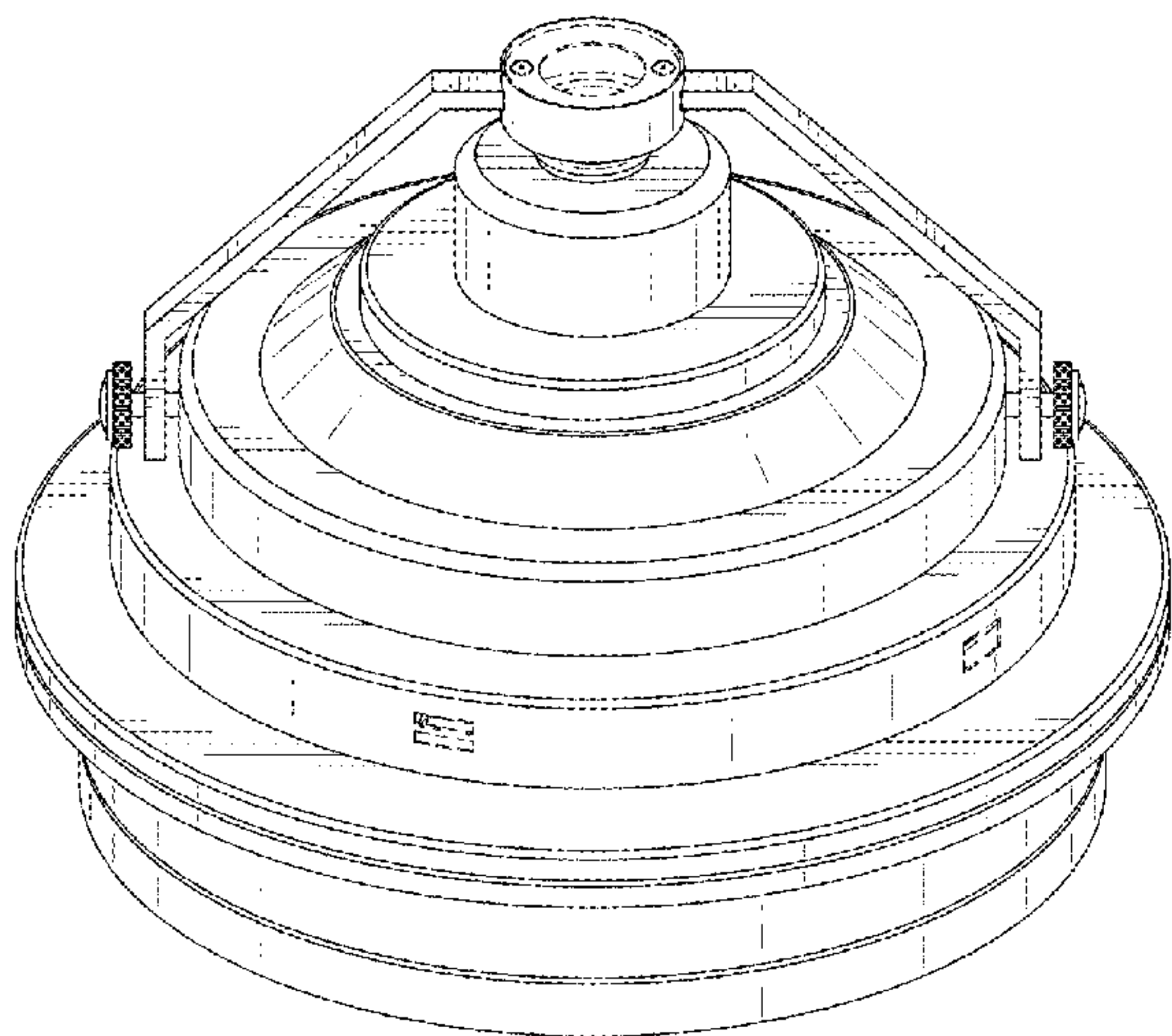
(57) **CLAIM**

The ornamental design for a ceiling fan motor housing with light kit, as shown and described.

DESCRIPTION

FIG. 1 is a front top perspective view of a ceiling fan motor housing with light kit showing my new design; FIG. 2 is a front elevational view thereof; FIG. 3 is a rear elevational view thereof; FIG. 4 is a left side elevational view thereof; FIG. 5 is a right side elevational view thereof; FIG. 6 is a top plan view thereof; FIG. 7 is a bottom plan view thereof; and, FIG. 8 is a front bottom perspective view thereof. The broken lines are for the purpose of illustrating environmental structure and form no part of the claimed design.

1 Claim, 6 Drawing Sheets



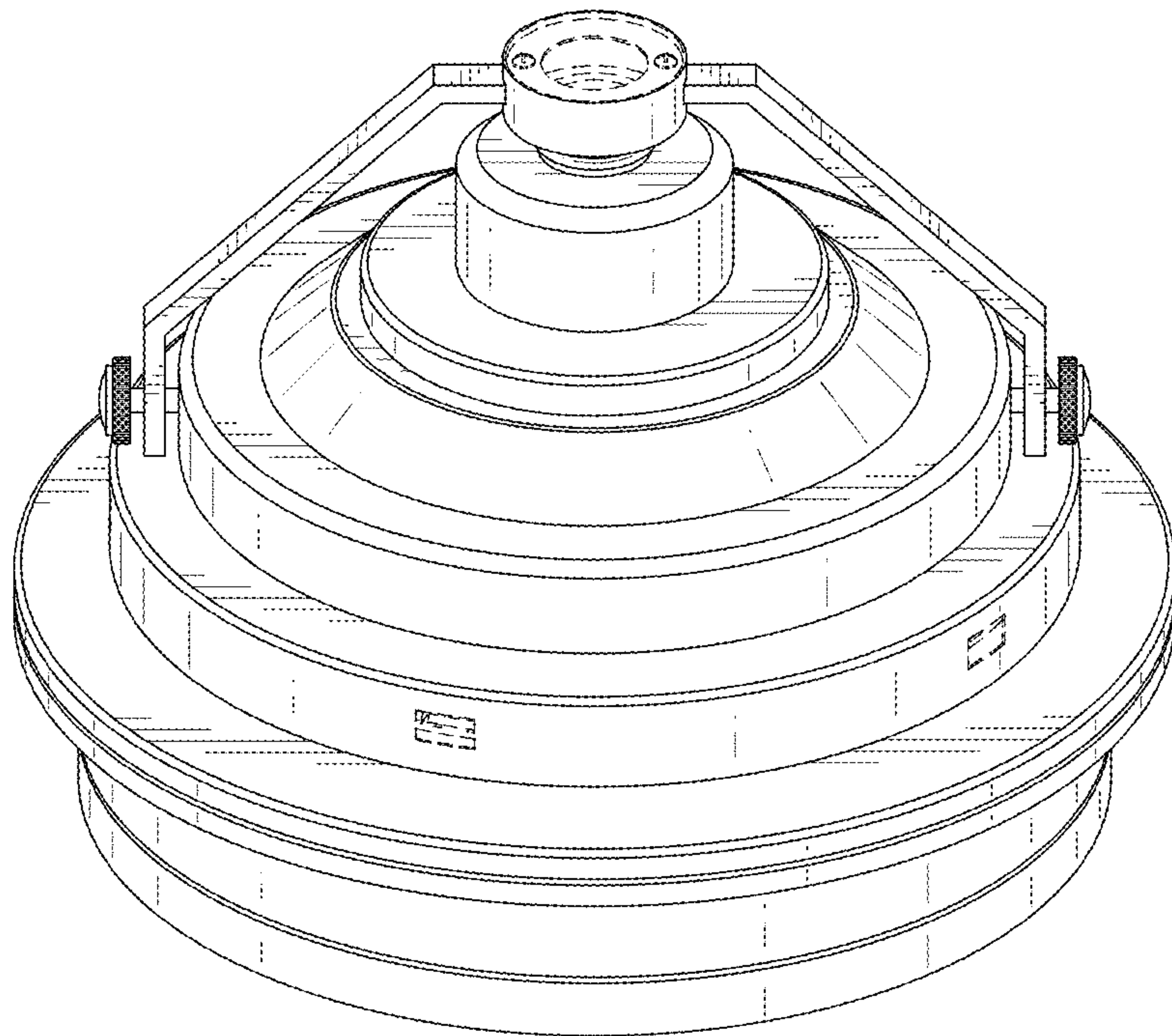


FIG. 1

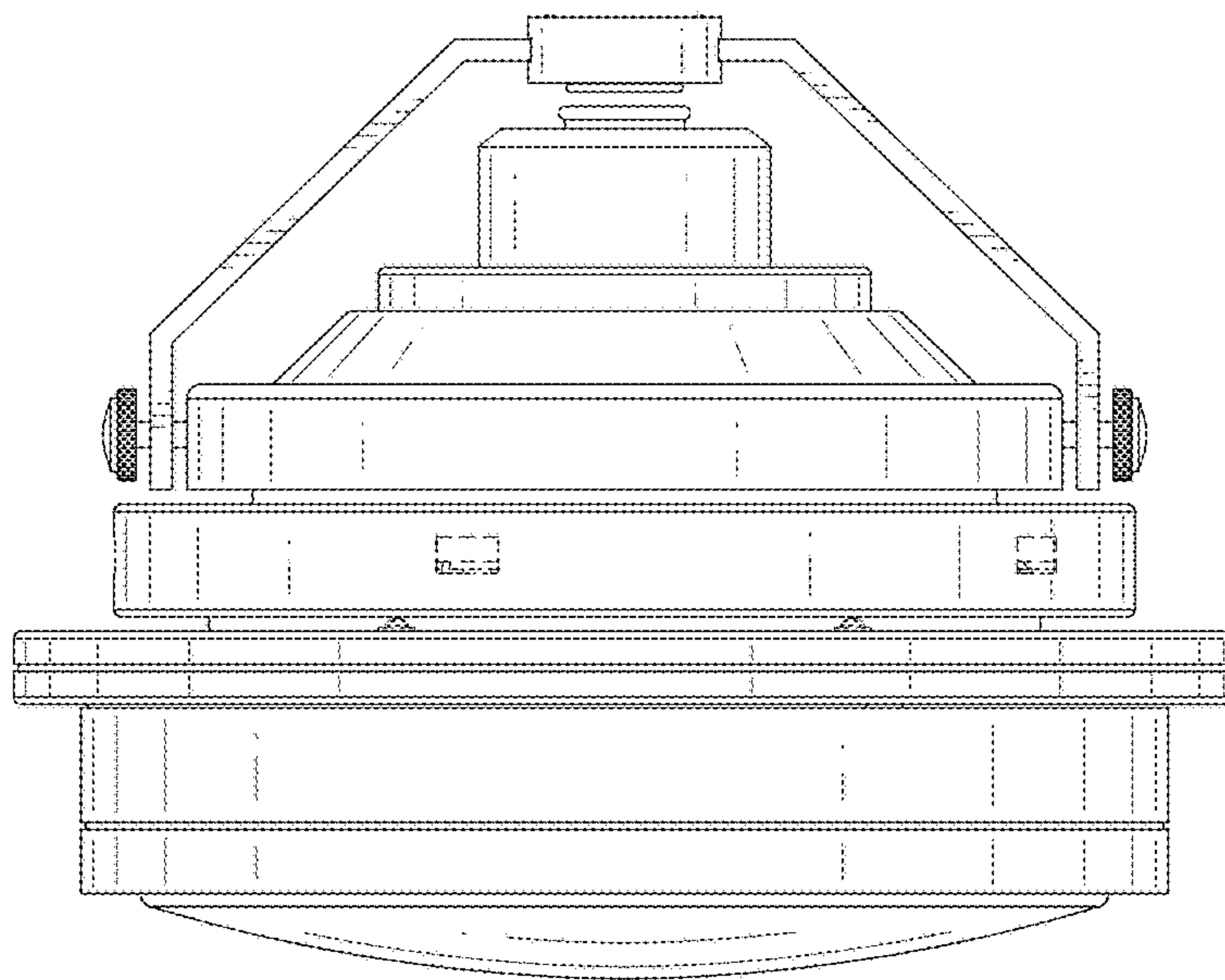


FIG. 2

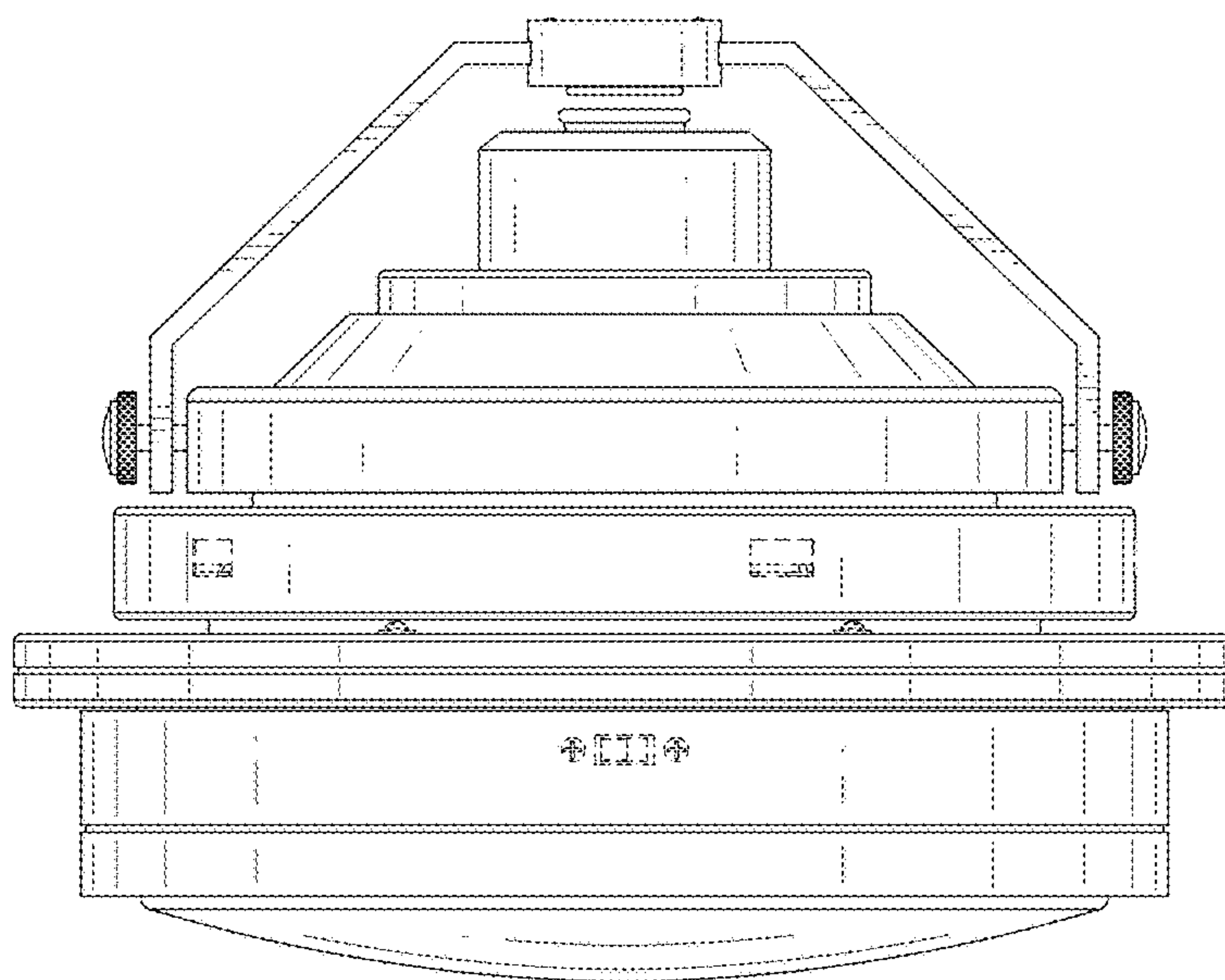


FIG. 3

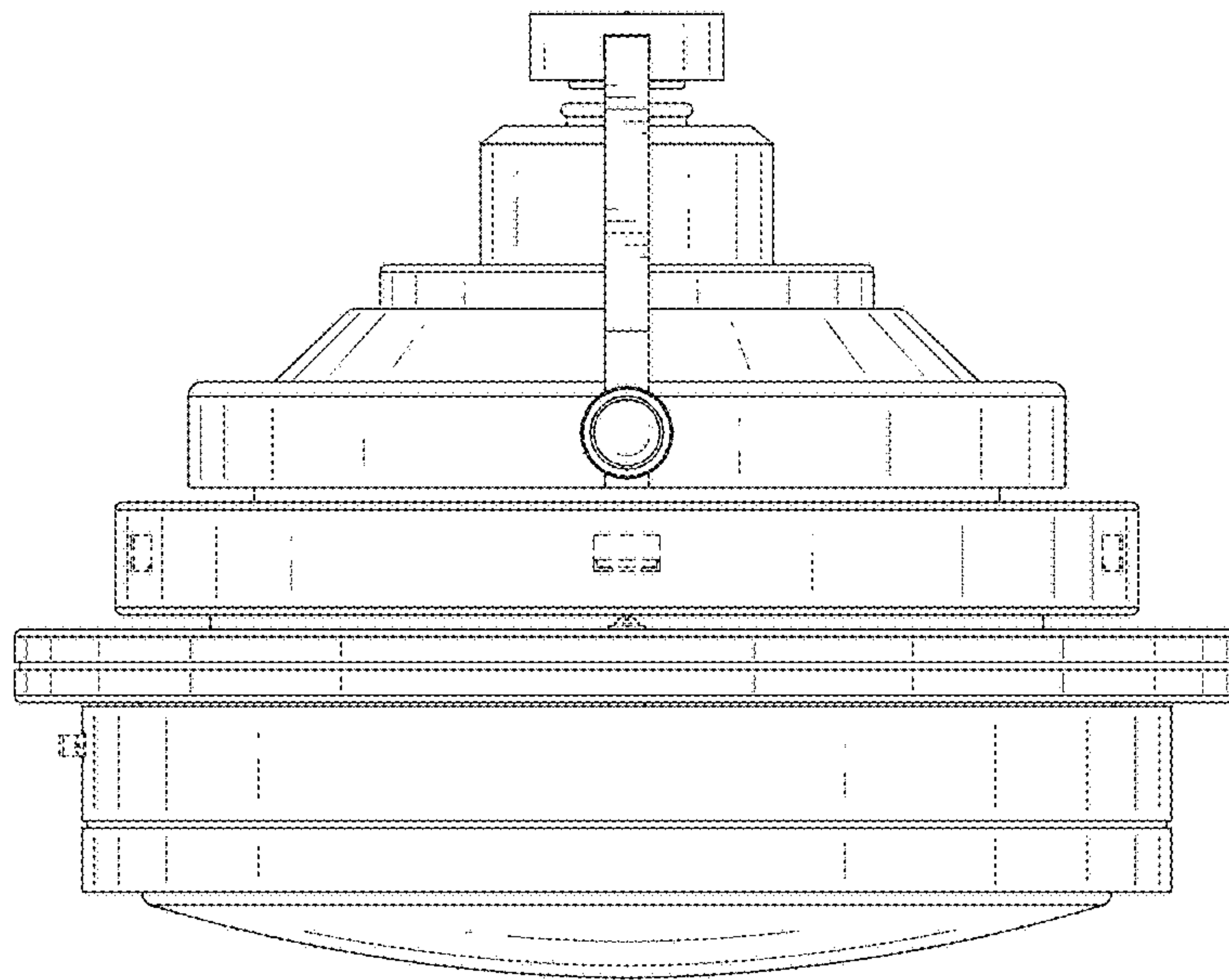


FIG. 4

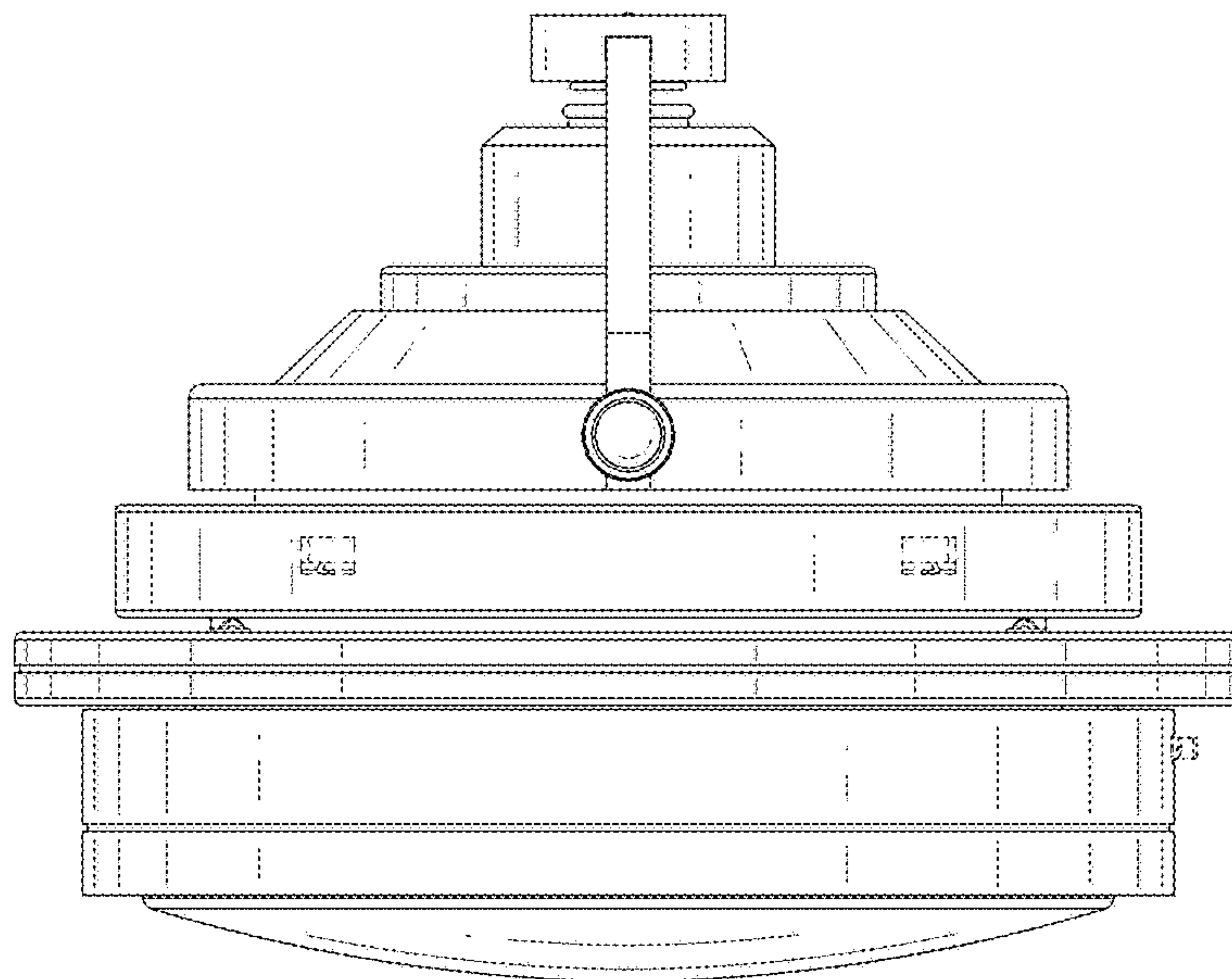


FIG. 5

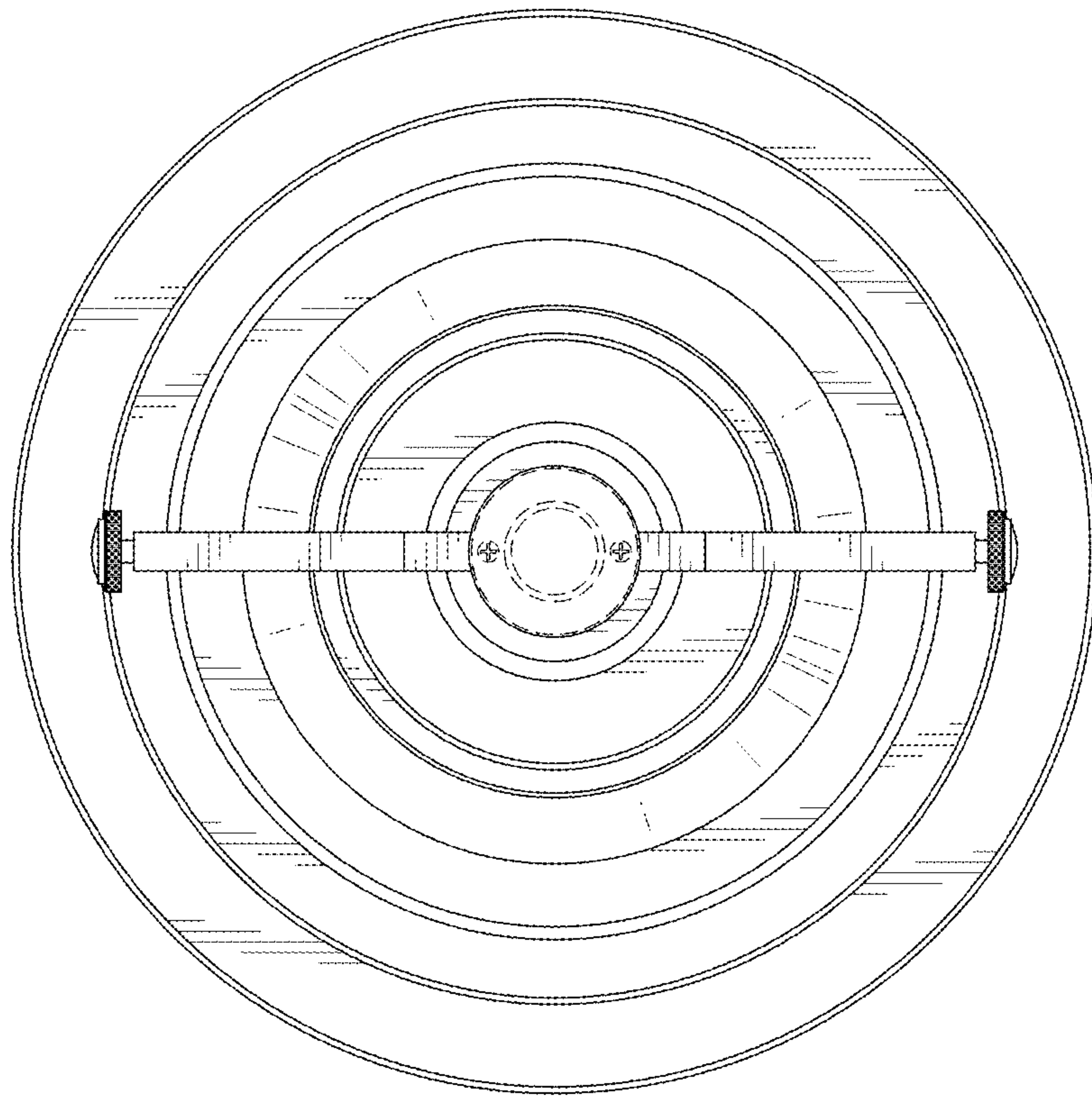


FIG. 6

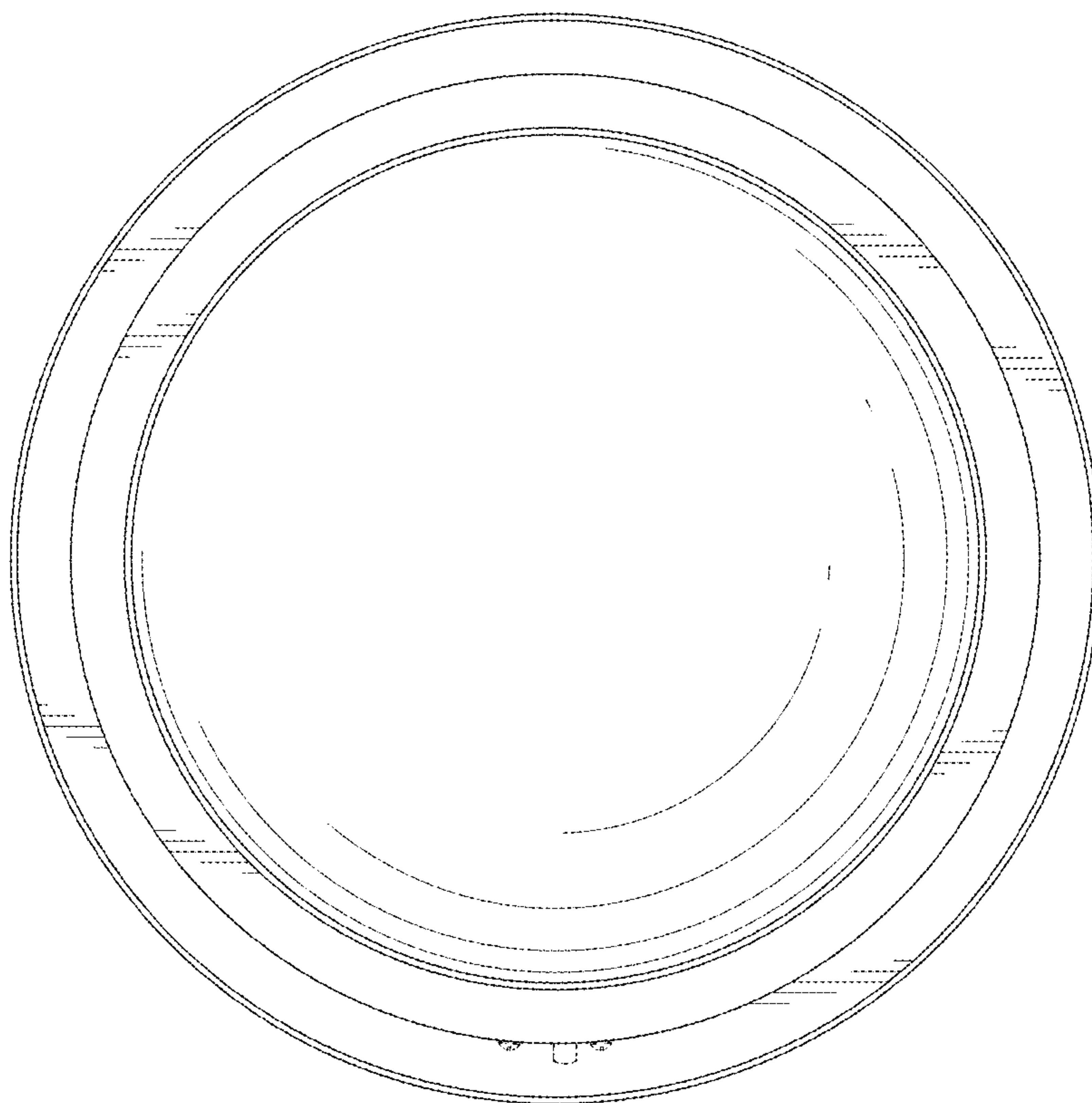


FIG. 7

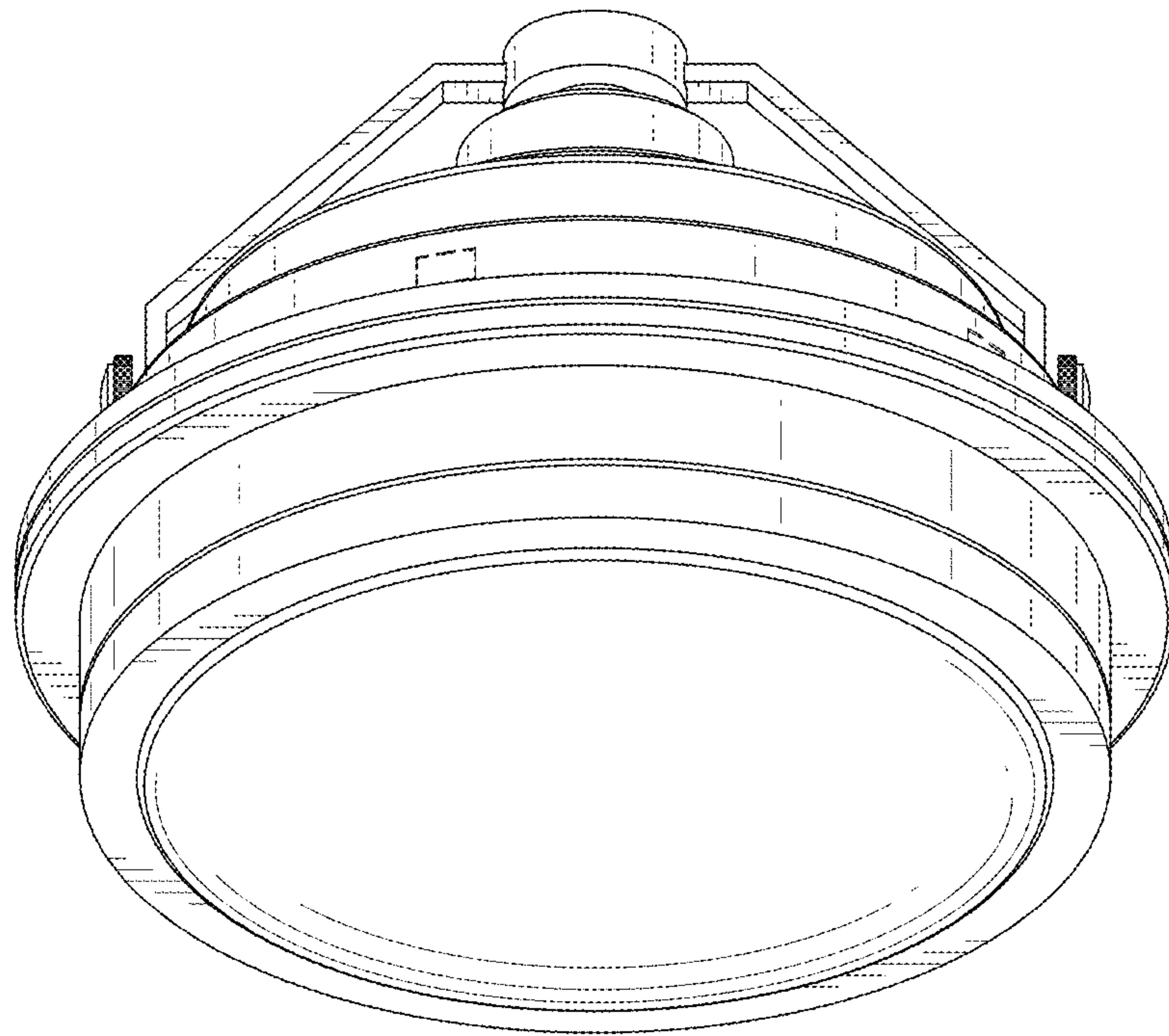


FIG. 8