



US00D799678S

(12) **United States Design Patent** (10) **Patent No.:** **US D799,678 S**
Jonas et al. (45) **Date of Patent:** **** Oct. 10, 2017**

- (54) **VENTILATION GRILL**
- (71) Applicant: **Broan-NuTone LLC**, Hartford, WI (US)
- (72) Inventors: **Kenneth John Jonas**, Mequon, WI (US); **Corey Scott Jacak**, West Bend, WI (US); **Benjamin Thorpe Puffer**, Hartford, WI (US); **Michael J. Aleven**, West Bend, WI (US)
- (73) Assignee: **Broan-NuTone LLC**, Hartford, WI (US)

- D567,354 S 4/2008 Jacak et al.
- D567,355 S 4/2008 Zakula et al.
- D567,933 S 4/2008 Hollingsworth et al.
- D575,387 S * 8/2008 Zakula D23/371
- D577,431 S 9/2008 Miyake et al.
- D581,508 S * 11/2008 Miyake D23/371
- D581,516 S 11/2008 Koury et al.
- D581,517 S 11/2008 Koury et al.
- D584,393 S 1/2009 Miyake et al.
- D584,394 S 1/2009 Miyake et al.
- D595,402 S 6/2009 Miyake et al.
- D617,441 S 6/2010 Koury et al.
- D654,998 S * 2/2012 Zakula D23/371
- D655,403 S * 3/2012 Zakula D23/388
- D678,497 S * 3/2013 Tom D23/328

(Continued)

- (**) Term: **15 Years**
 - (21) Appl. No.: **29/539,401**
 - (22) Filed: **Sep. 14, 2015**
 - (51) **LOC (10) Cl.** **23-04**
 - (52) **U.S. Cl.**
USPC **D23/385; D23/412**
 - (58) **Field of Classification Search**
USPC **D23/370, 371, 377-379, 381, 382, D23/385-388, 411, 412; D26/59**
CPC **F04D 25/088; F04D 29/005; F04D 29/601; F04D 29/324; F21V 33/0096; F21V 33/0092; F24F 13/078**
- See application file for complete search history.

- (56) **References Cited**
U.S. PATENT DOCUMENTS
- | | | | |
|--------------|---------|----------------------|---------|
| D426,292 S | 6/2000 | Nanjo | |
| D457,616 S * | 5/2002 | Yamanaka | D23/371 |
| D510,432 S | 10/2005 | Bargiel | |
| D510,996 S * | 10/2005 | Vladika | D23/385 |
| D512,503 S | 12/2005 | Roland | |
| D535,433 S * | 1/2007 | Craw | D26/119 |
| D543,270 S | 5/2007 | Miura et al. | |
| D567,352 S | 4/2008 | Hollingsworth et al. | |
| D567,353 S | 4/2008 | Hollingsworth et al. | |

OTHER PUBLICATIONS

“U.S. Appl. No. 29/539,391, Notice of Allowance dated Mar. 1, 2017”, 8 pgs.

(Continued)

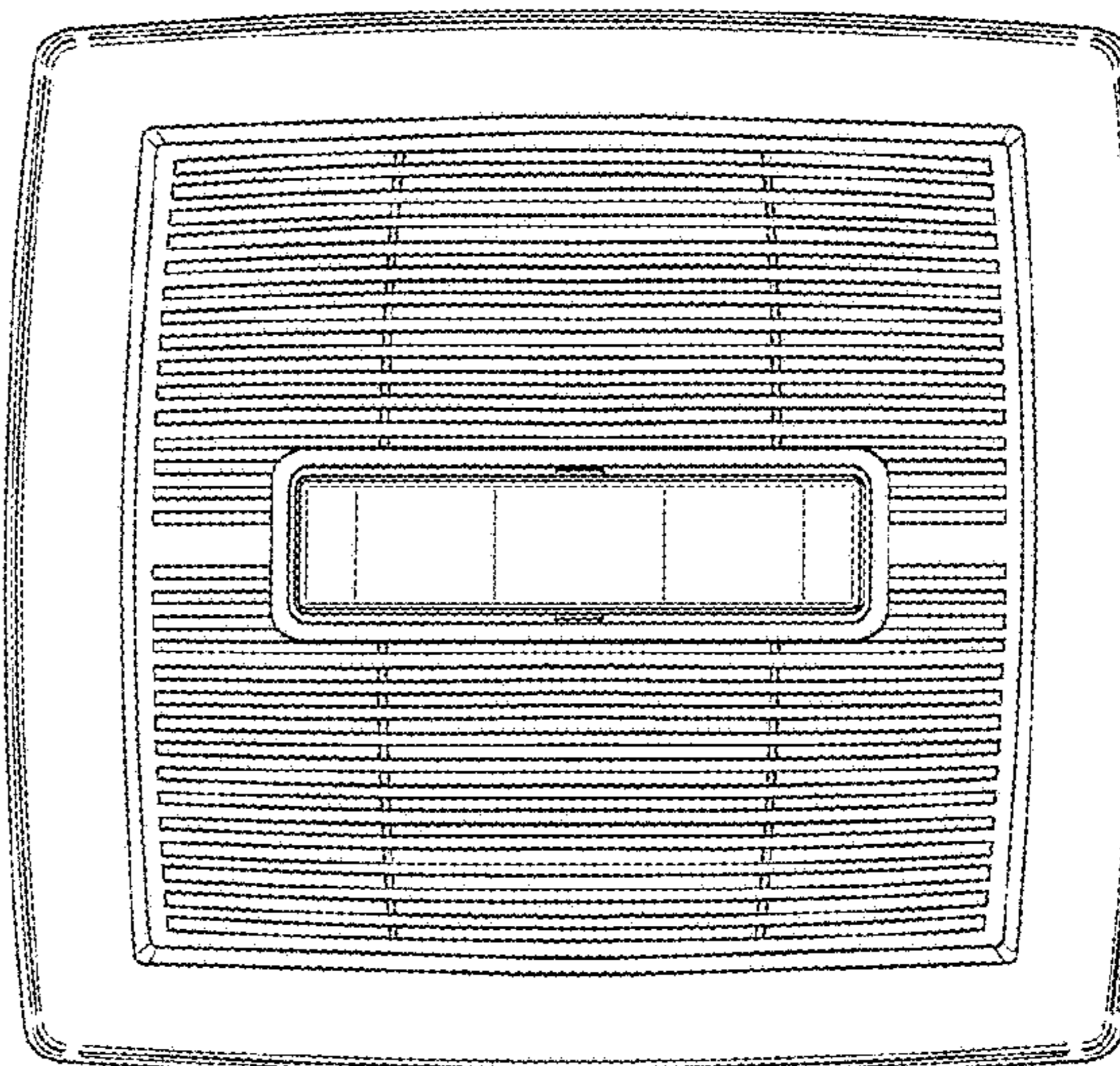
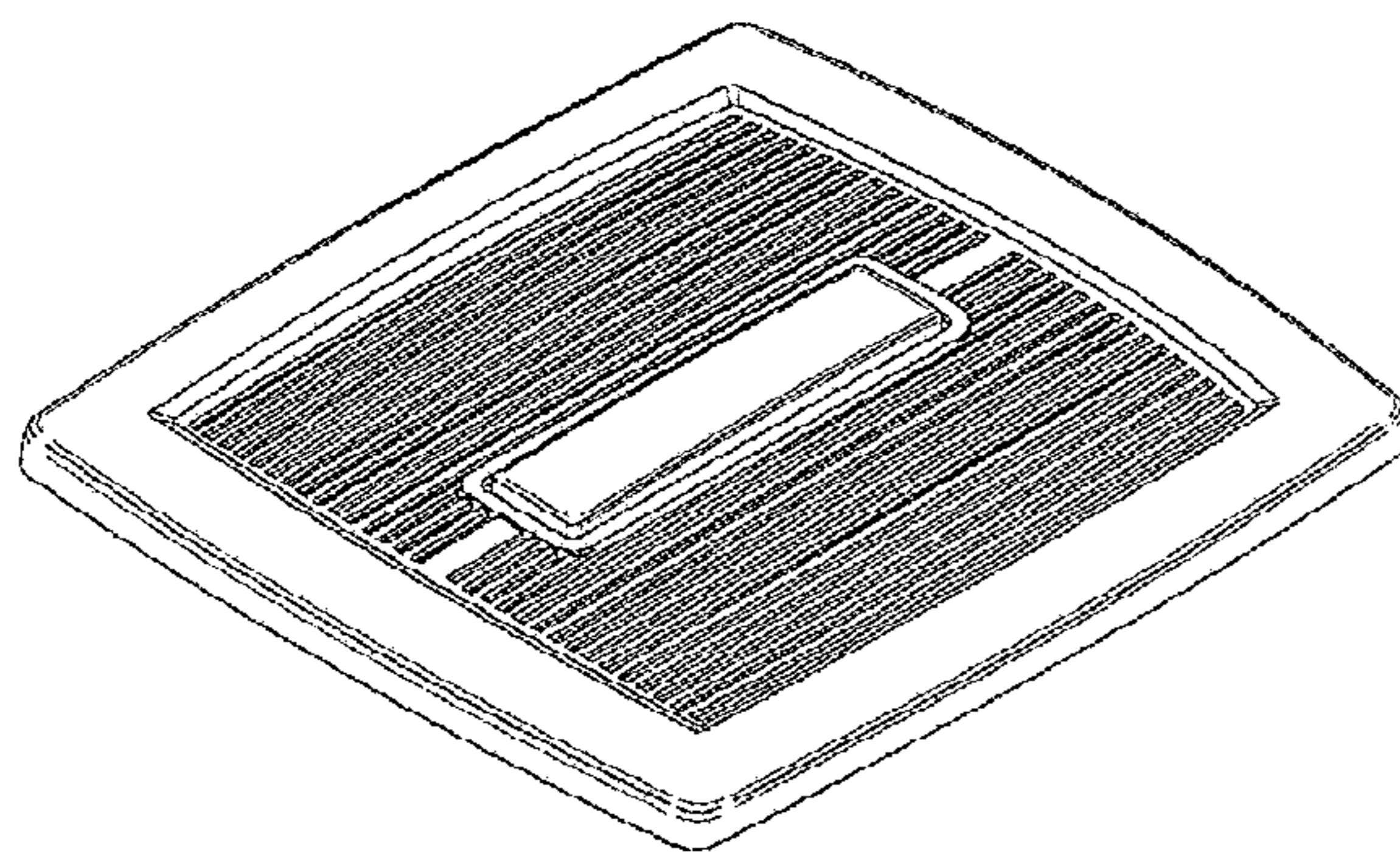
Primary Examiner — Janice Hallmark
(74) *Attorney, Agent, or Firm* — McDermott Will and Emery LLP

(57) **CLAIM**
The ornamental design for a ventilation grill, as shown and described.

DESCRIPTION

FIG. 1 is a perspective view of a ventilation grill showing our new design;
FIG. 2 is a top plan view thereof;
FIG. 3 is a bottom view thereof;
FIG. 4 is a side view thereof; and,
FIG. 5 is a front view, the rear view being exactly the same in appearance, thereof.
The broken lines depict environmental subject matter only and form no part of the claimed design.

1 Claim, 4 Drawing Sheets



(56)

References Cited

U.S. PATENT DOCUMENTS

D681,794	S	*	5/2013	Lin	D23/371
D701,952	S		4/2014	Hoshino et al.		
D702,827	S	*	4/2014	Mase	D23/370
D705,417	S	*	5/2014	Lin	D23/371
D771,231	S		11/2016	Chen et al.		
D778,424	S	*	2/2017	Jonas	D23/388
D778,425	S		2/2017	Jonas et al.		
D779,050	S	*	2/2017	Jonas	D23/388
2013/0088855	A1	*	4/2013	Ye	F21V 33/0096 362/96
2014/0063796	A1		3/2014	Zakula et al.		
2015/0117034	A1	*	4/2015	Hornig	F24F 13/078 362/373
2015/0125292	A1		5/2015	Karst et al.		
2016/0069561	A1	*	3/2016	Jonas	F21V 29/83 362/96

OTHER PUBLICATIONS

- "U.S. Appl. No. 29/539,392, Notice of Allowance dated Mar. 3, 2017", 8 pgs.
- "U.S. Appl. No. 29/539,396, Notice of Allowance dated Feb. 27, 2017", 9 pgs.
- "U.S. Appl. No. 29/539,405, Notice of Allowance dated Mar. 1, 2017", 9 pgs.
- "U.S. Appl. No. 29/539,409, Notice of Allowance dated Mar. 2, 2017", 8 pgs.
- "U.S. Appl. No. 29/539,414, Notice of Allowance dated Mar. 13, 2017", 8 pgs.
- "U.S. Appl. No. 29/539,415, Notice of Allowance dated Mar. 9, 2017", 8 pgs.

* cited by examiner

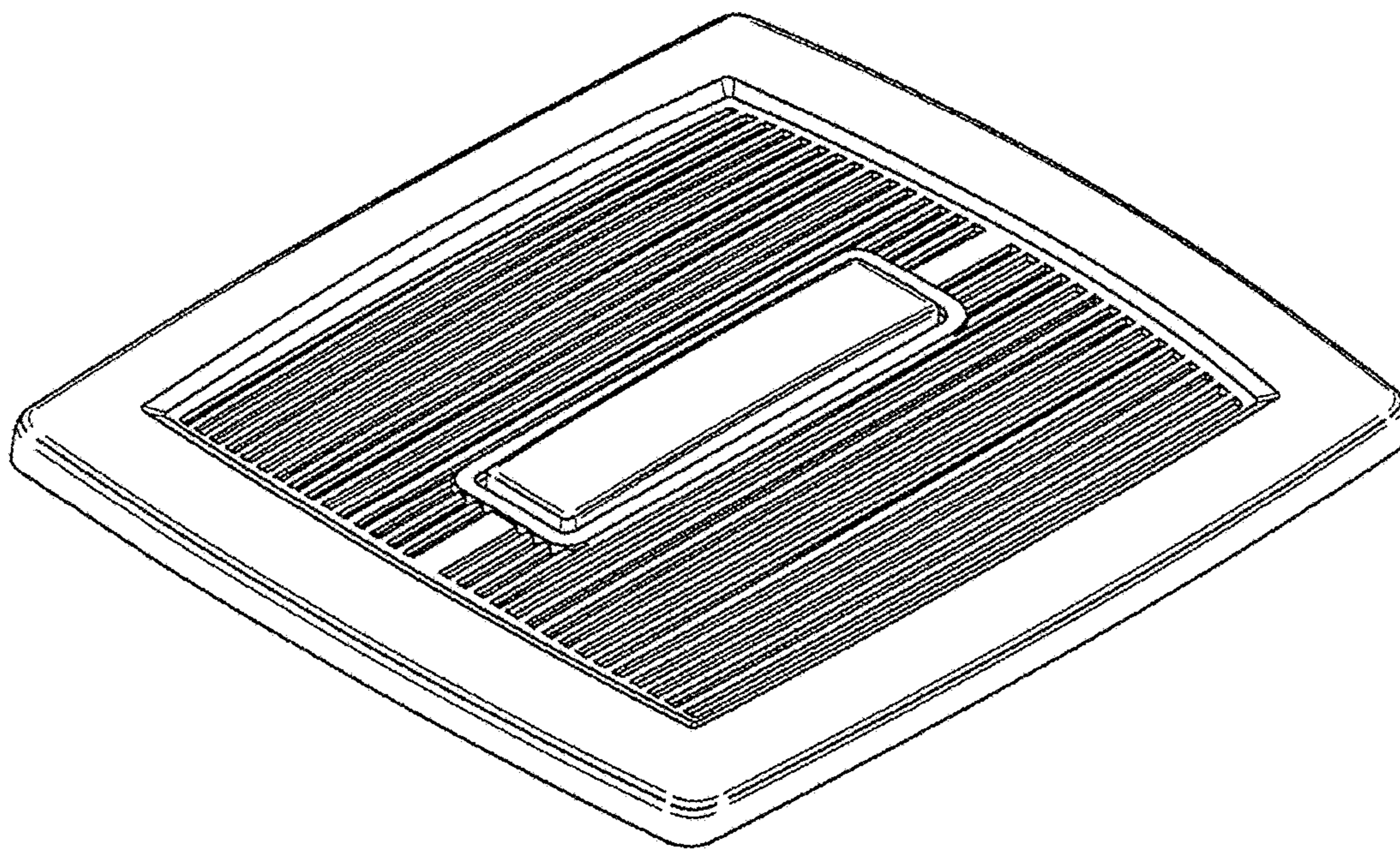


FIG. 1

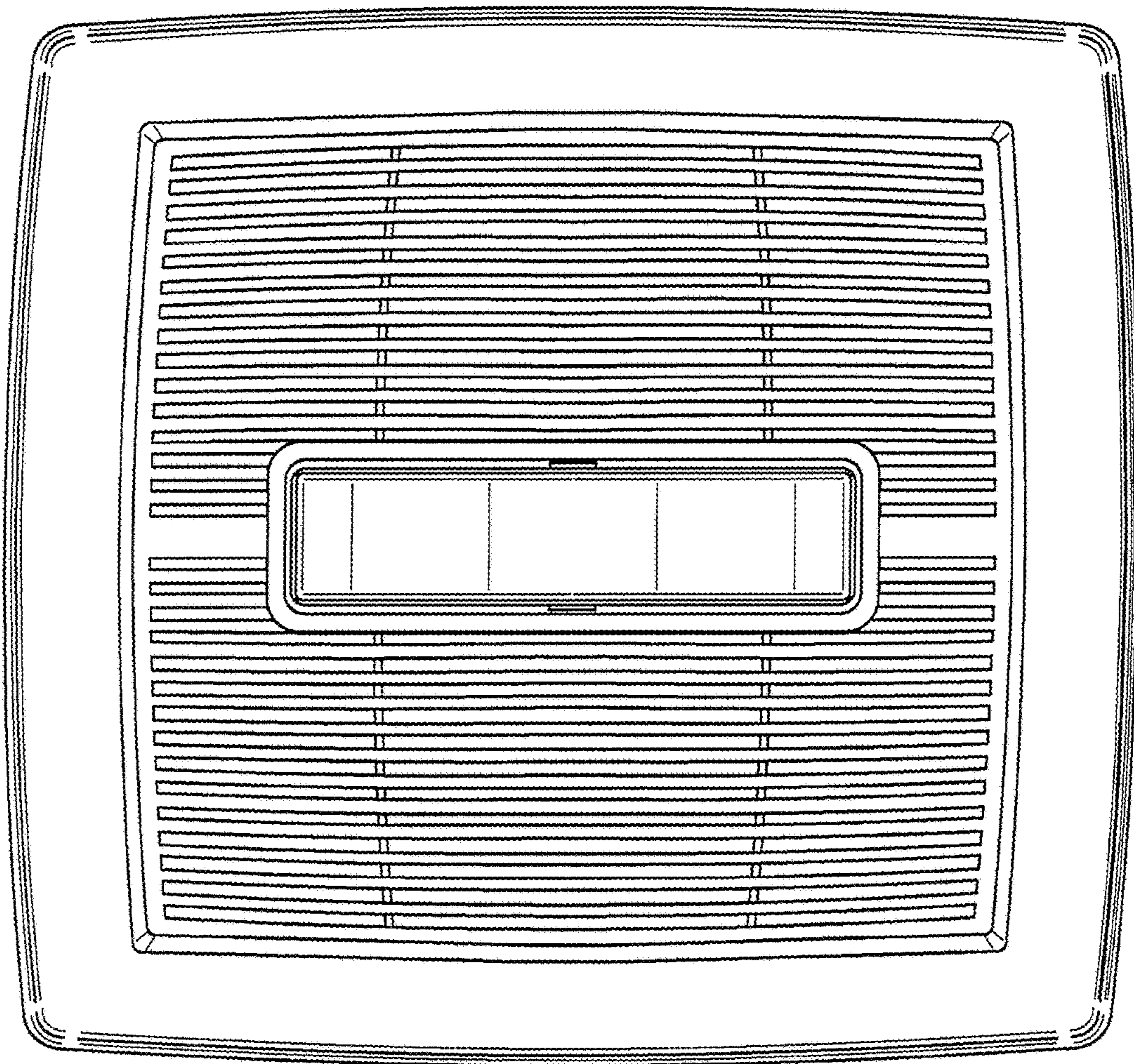


FIG. 2

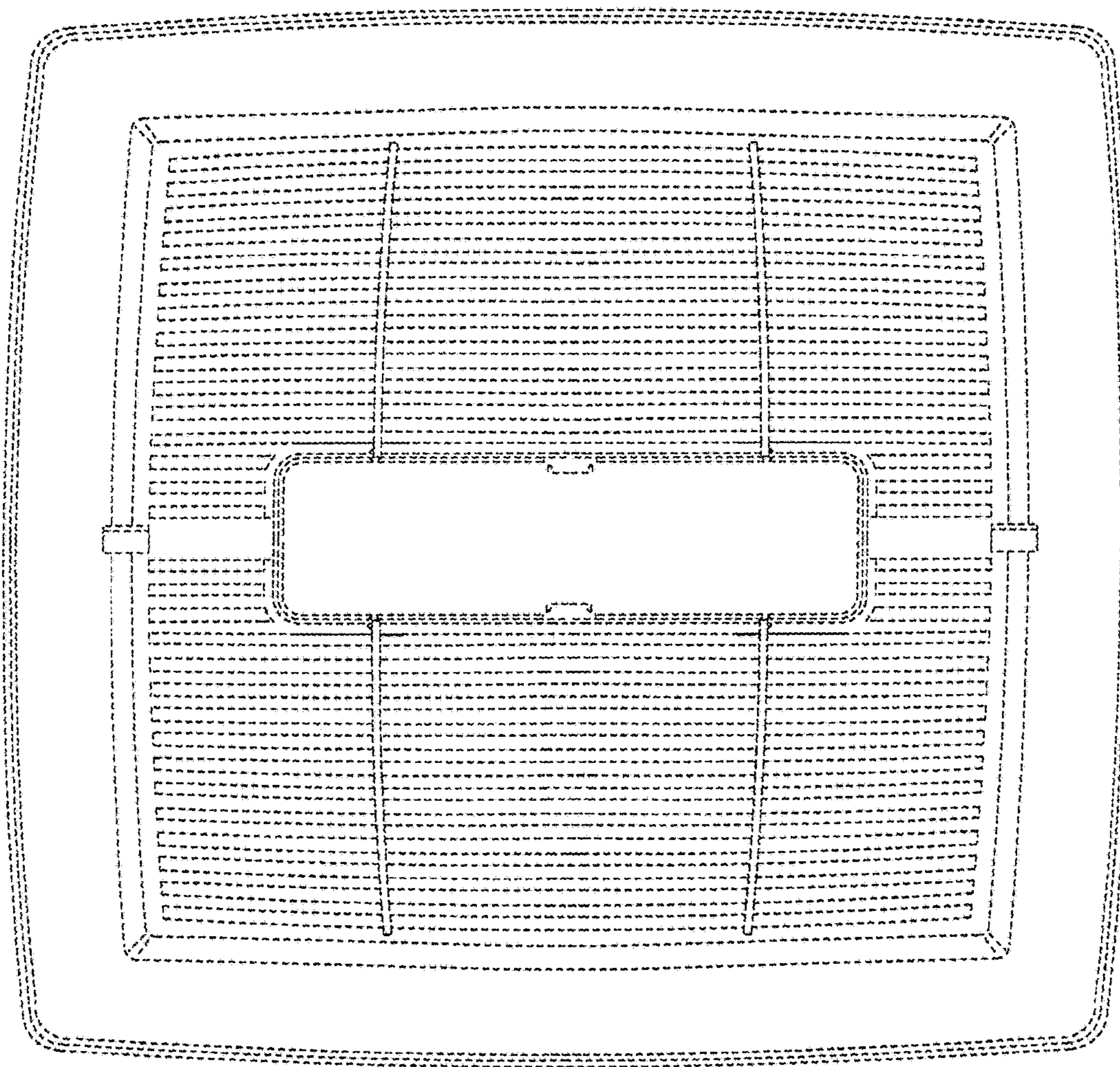


FIG. 3

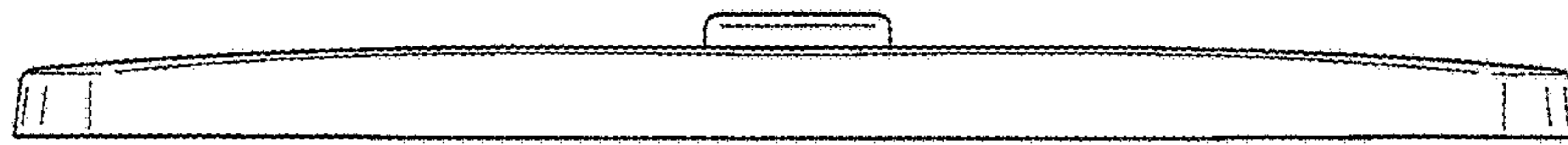


FIG. 4

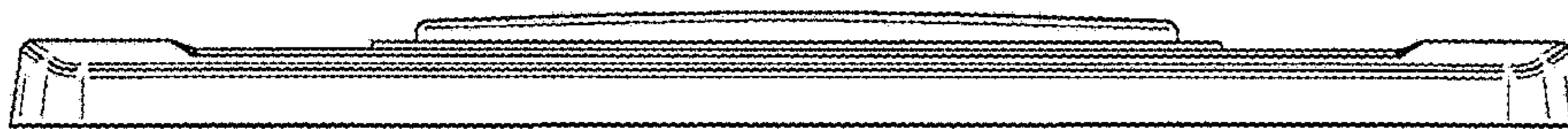


FIG. 5