



US00D799675S

(12) **United States Design Patent**
Wong

(10) **Patent No.:** **US D799,675 S**
(45) **Date of Patent:** **** Oct. 10, 2017**

(54) **ELECTRIC FAN**

(71) Applicant: **IMS International Ltd**, Hong Kong (HK)

(72) Inventor: **Ping Cheung Wong**, Hong Kong (HK)

(73) Assignee: **IMS INTERNATIONAL LTD**, Hong Kong (HK)

(**) Term: **15 Years**

(21) Appl. No.: **29/569,001**

(22) Filed: **Jun. 22, 2016**

(51) **LOC (10) Cl.** **23-04**

(52) **U.S. Cl.**
USPC **D23/382**

(58) **Field of Classification Search**
USPC D23/370, 371, 377-379, 381, 382,
D23/385-388, 411, 412; D26/59
CPC F04D 25/088; F04D 29/005; F04D 29/601;
F04D 29/324; F21V 33/0096; F21V
33/0092; F24F 13/078
See application file for complete search history.

(56) **References Cited**

U.S. PATENT DOCUMENTS

- 2,363,907 A * 11/1944 Spear F04D 29/646
417/361
- D433,117 S * 10/2000 Wolfe D23/411
- D483,852 S * 12/2003 Wong D23/382
- D538,920 S * 3/2007 Russak D23/382

- D538,921 S * 3/2007 Li D23/382
- D540,936 S * 4/2007 Li D23/382
- D542,906 S * 5/2007 Li D23/382
- D544,595 S * 6/2007 Kung D23/328
- D554,748 S * 11/2007 Li D23/382
- D562,962 S * 2/2008 Li D23/382
- D569,961 S * 5/2008 Wong D23/382
- D571,447 S * 6/2008 Russak D23/382
- D737,949 S * 9/2015 He D23/382
- D737,950 S * 9/2015 He D23/382
- 2007/0166160 A1 * 7/2007 Russak F04D 29/601
416/63

* cited by examiner

Primary Examiner — Janice Hallmark

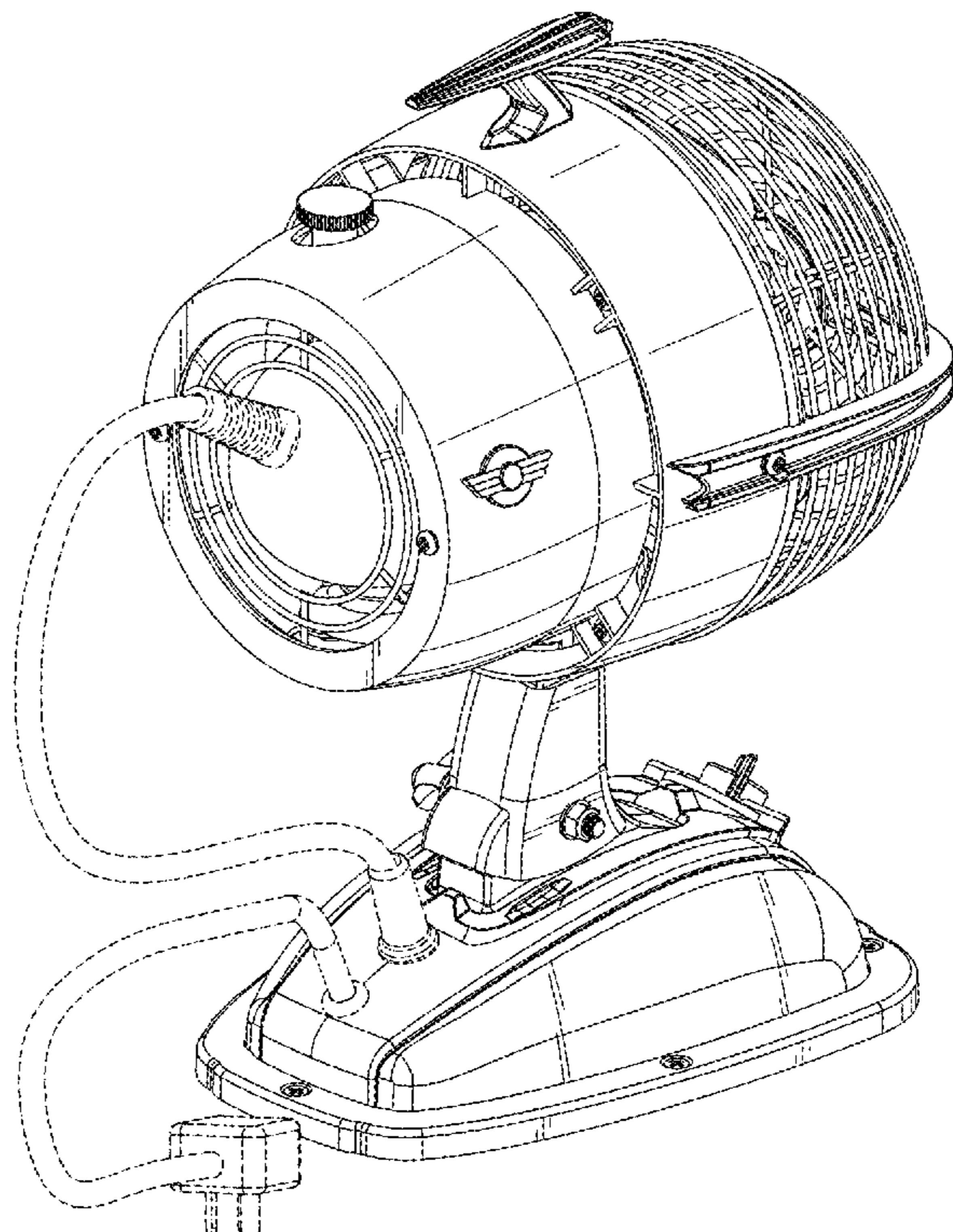
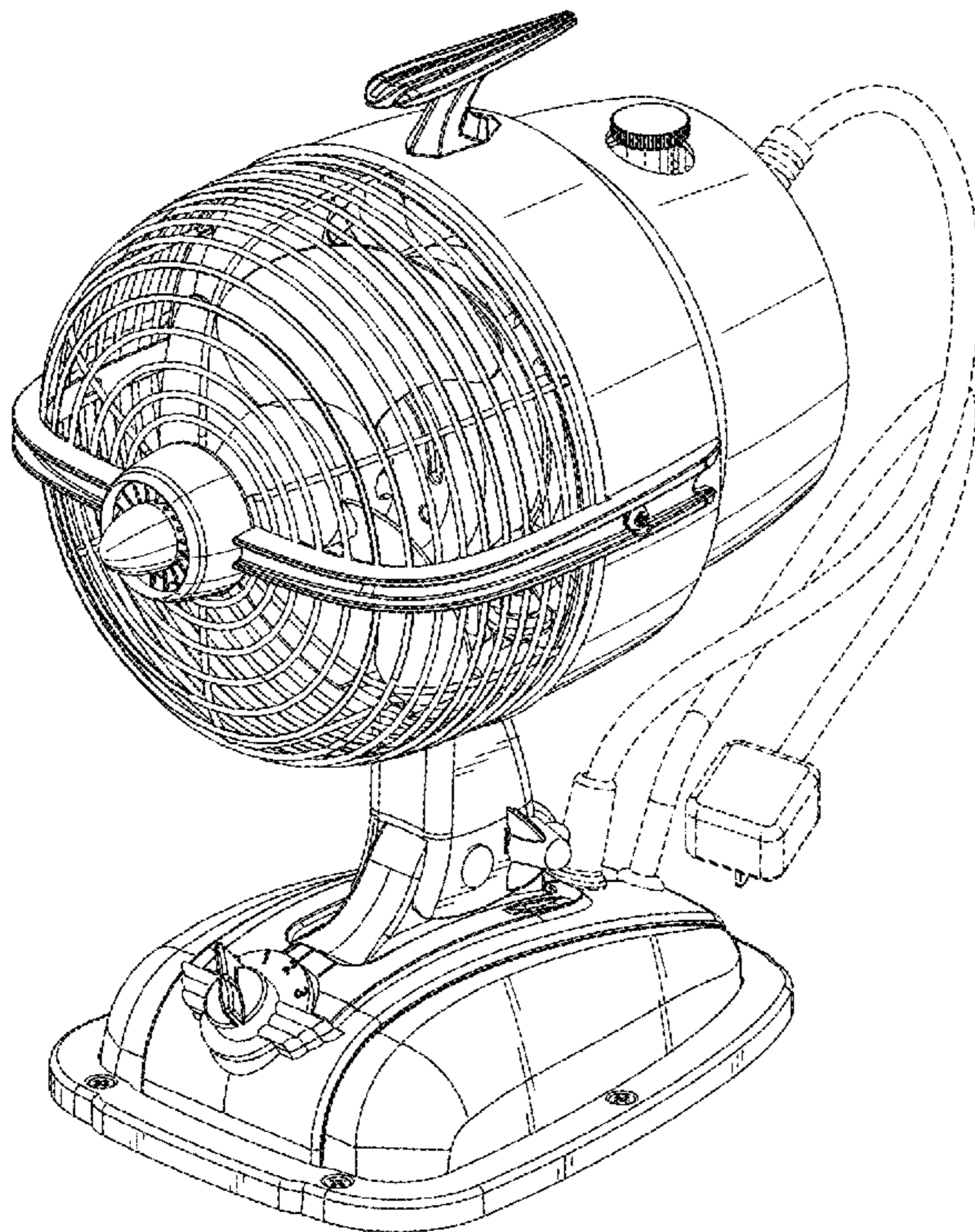
(57) **CLAIM**

The ornamental design for an electric fan, as shown and described.

DESCRIPTION

FIG. 1 is a first perspective view of an electric fan showing my new design;
 FIG. 2 is a second perspective view thereof;
 FIG. 3 is a front elevational view thereof;
 FIG. 4 is a rear elevational view thereof;
 FIG. 5 is a left side view thereof;
 FIG. 6 is a right side view thereof;
 FIG. 7 is a top plan view thereof; and,
 FIG. 8 is a bottom plan view thereof.
 The broken lines are for illustrative purposes only and form no part of the claimed design.

1 Claim, 8 Drawing Sheets



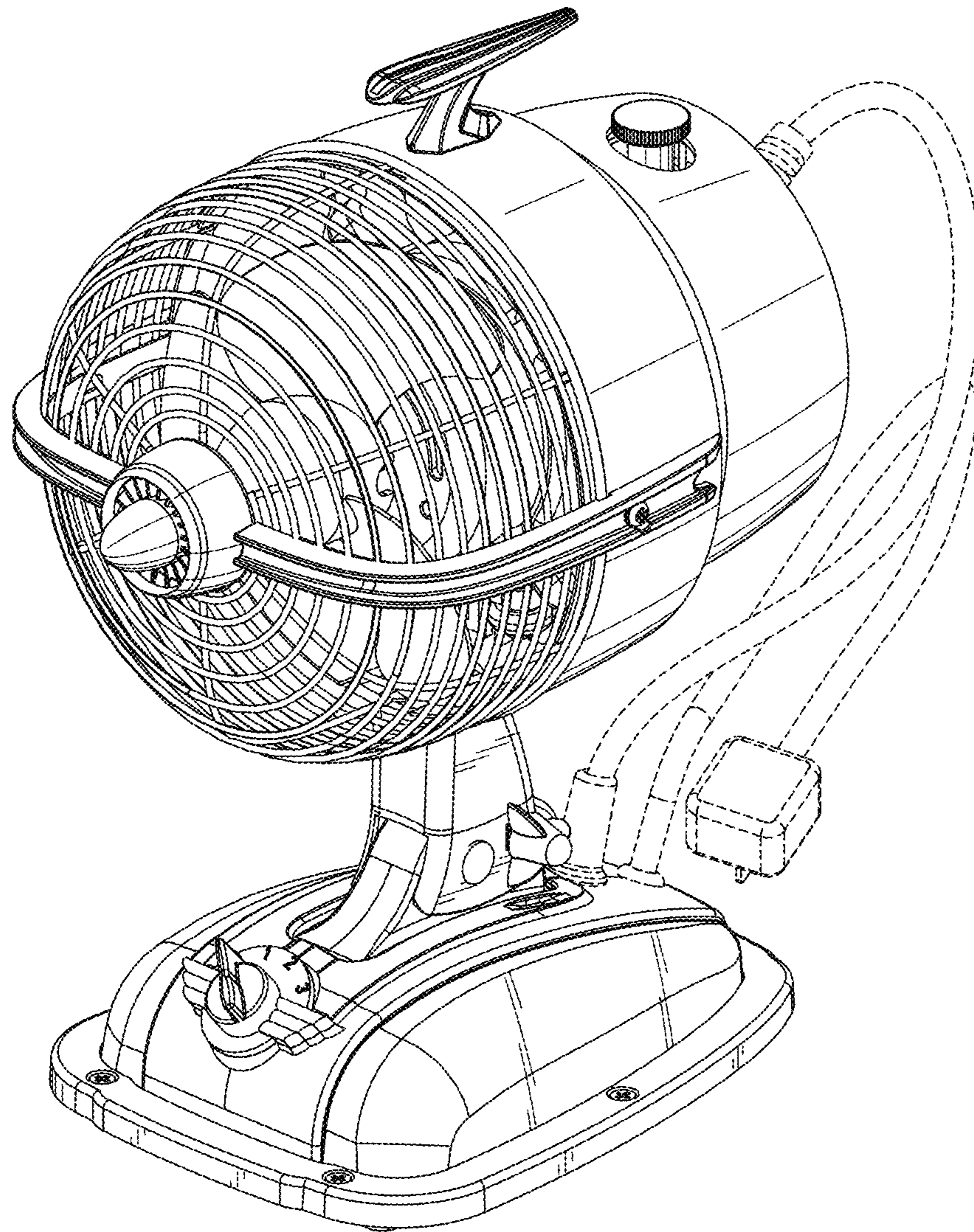


FIG. 1

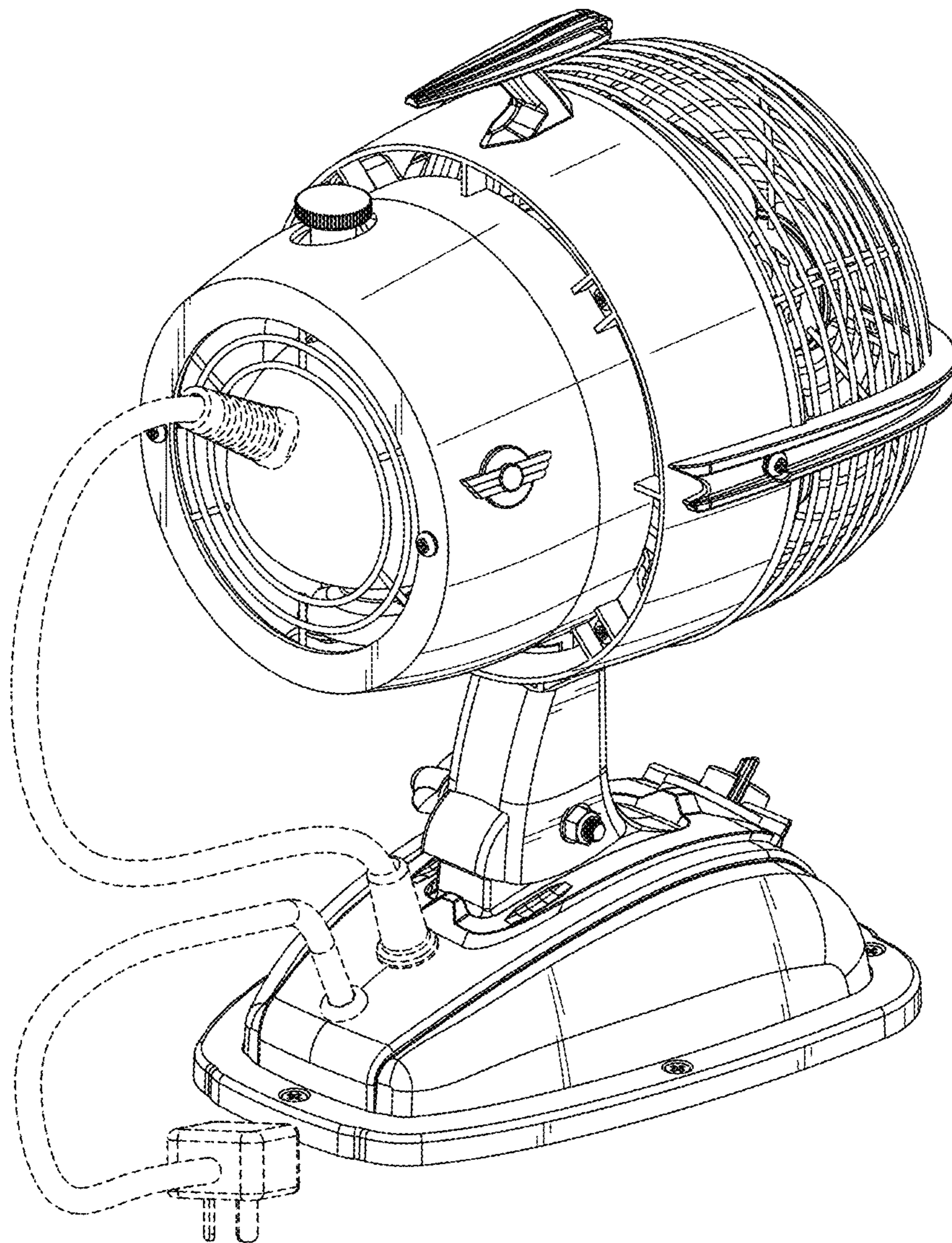


FIG. 2

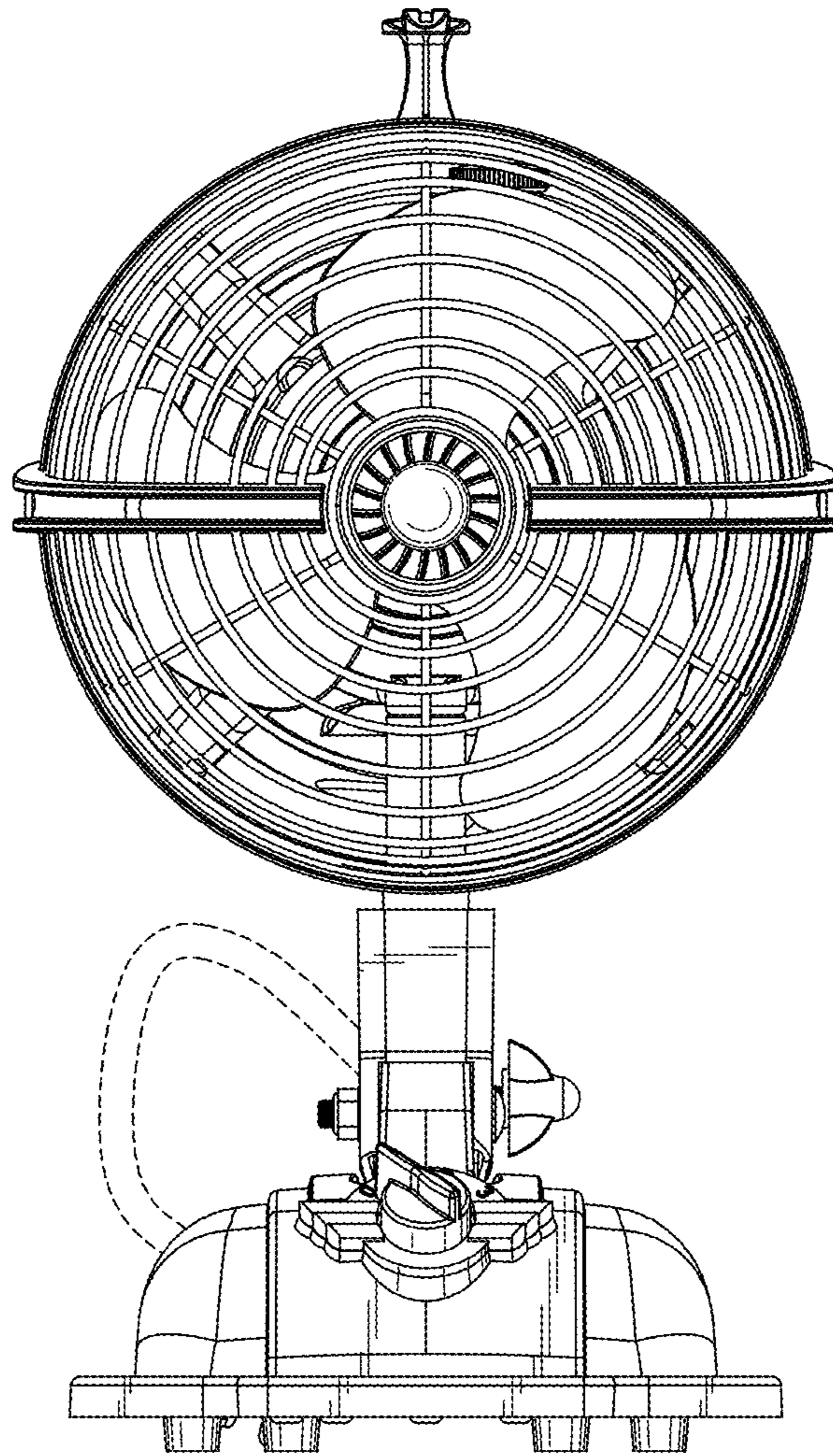


FIG. 3

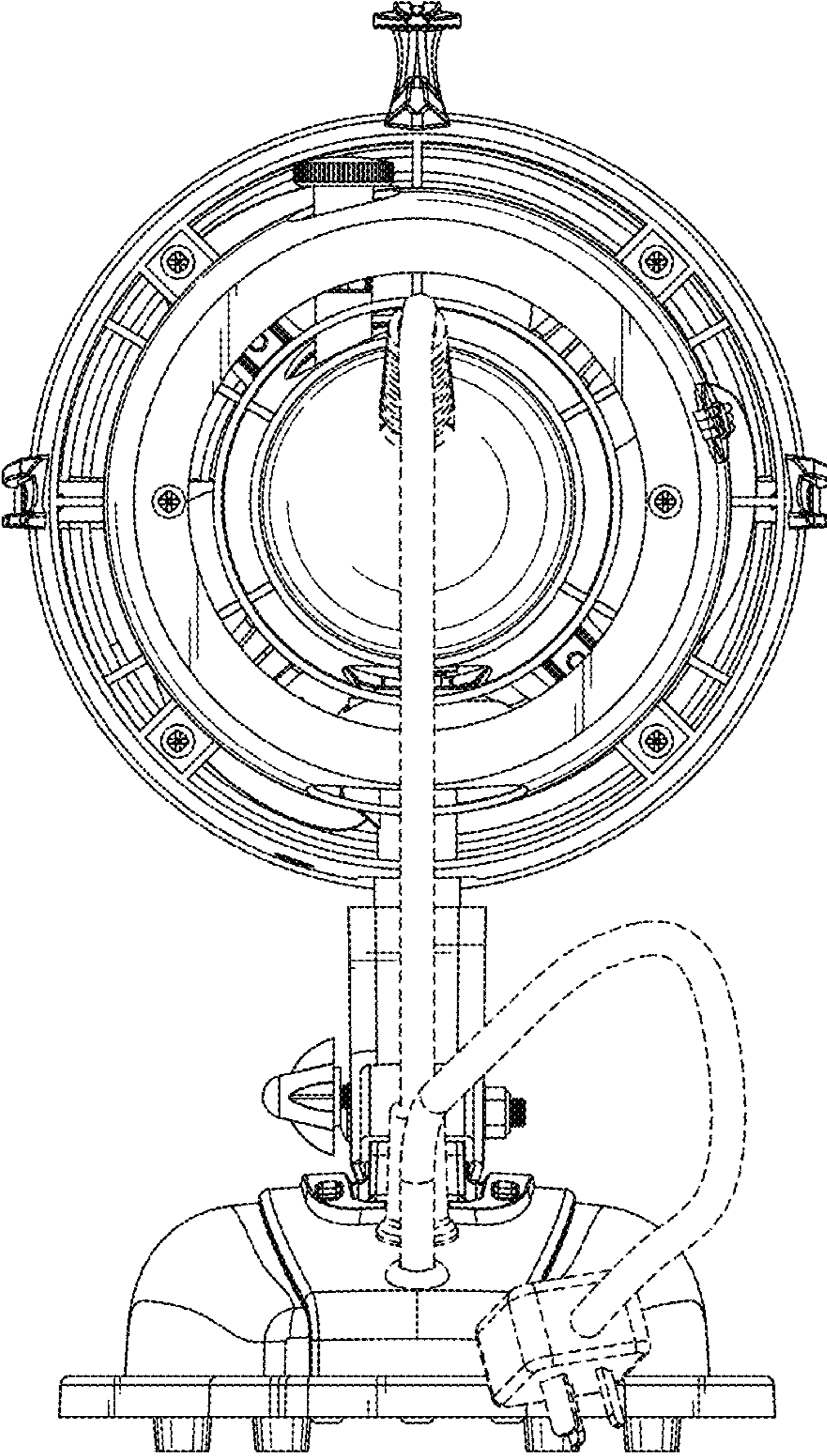


FIG. 4

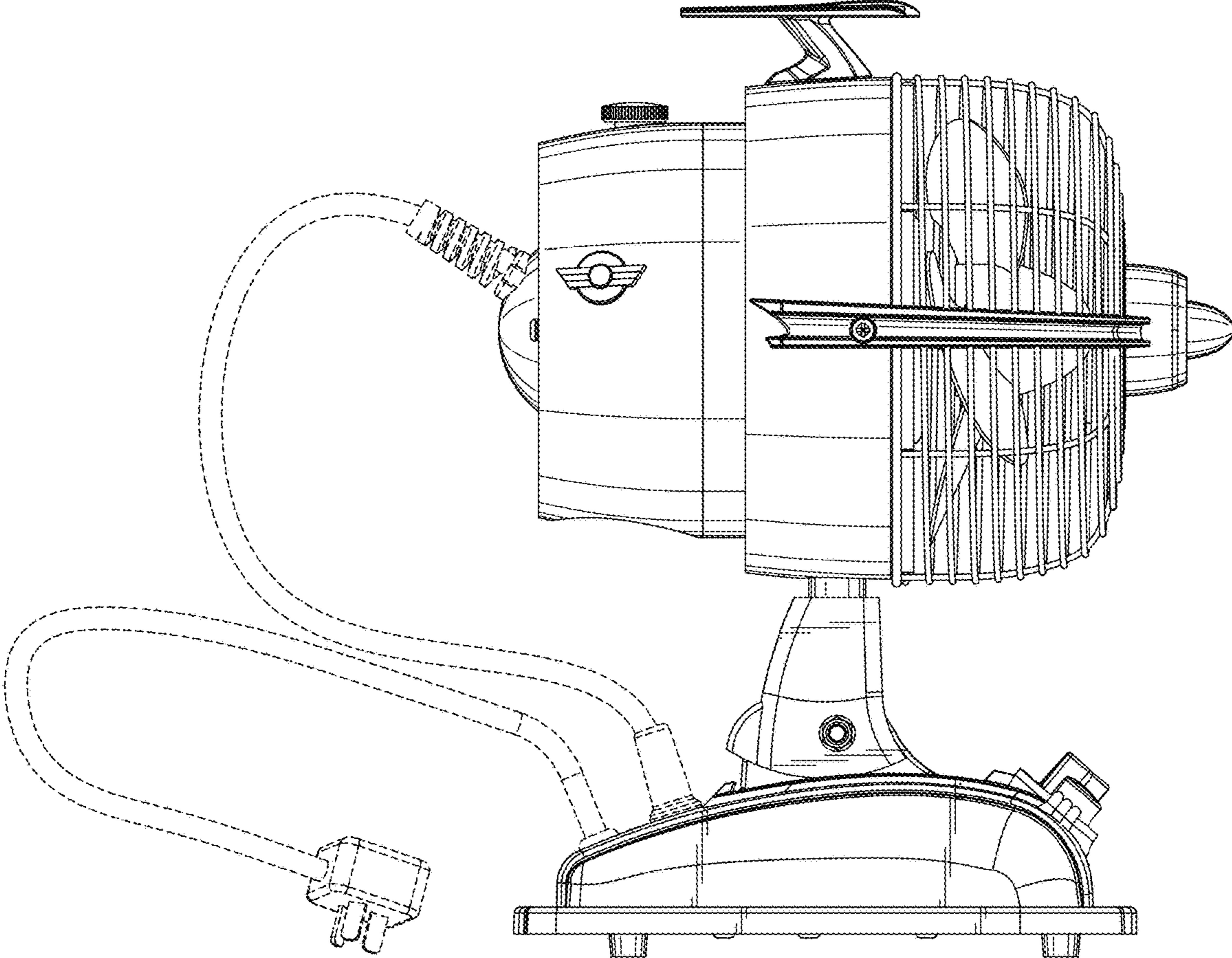


FIG. 5

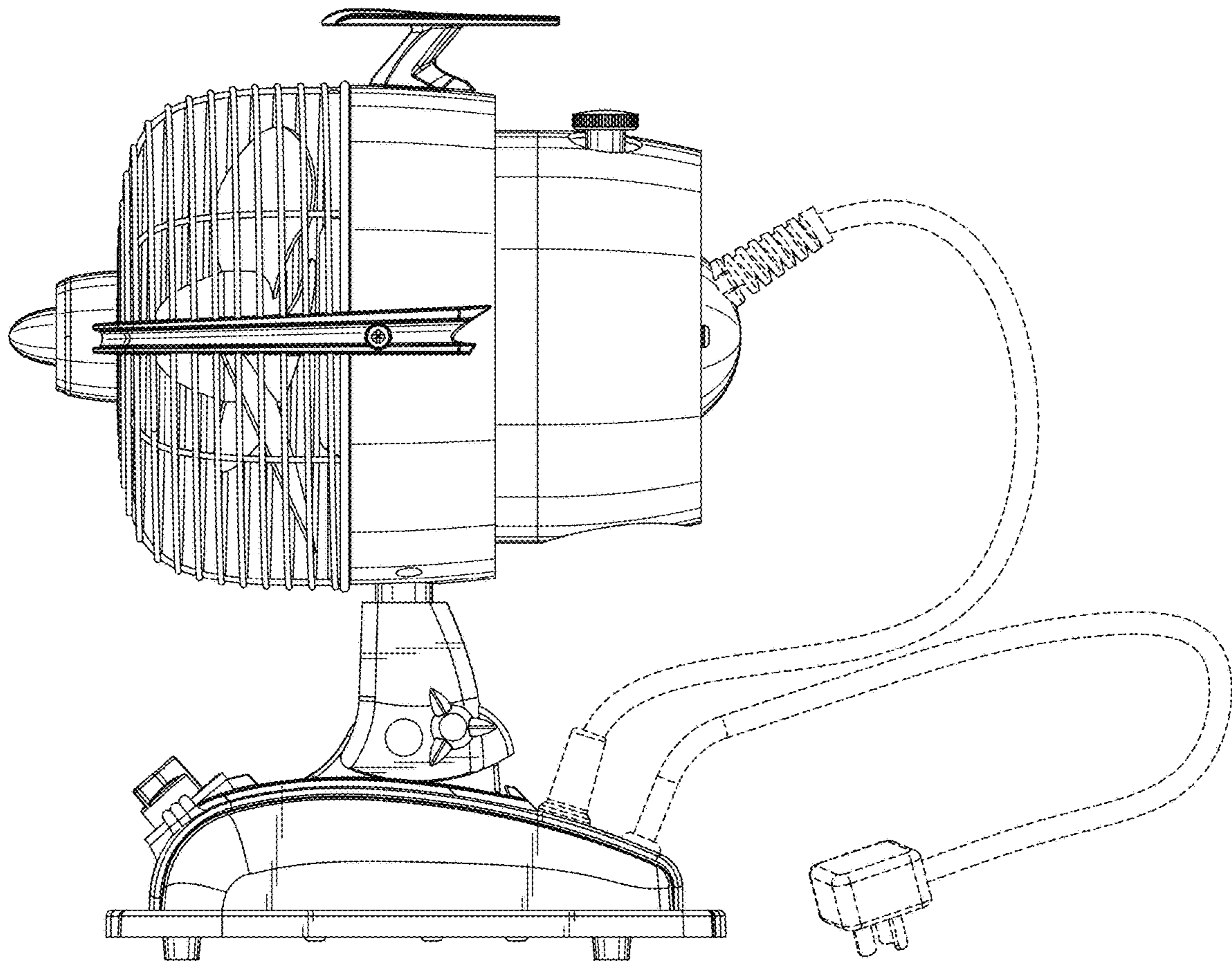


FIG. 6

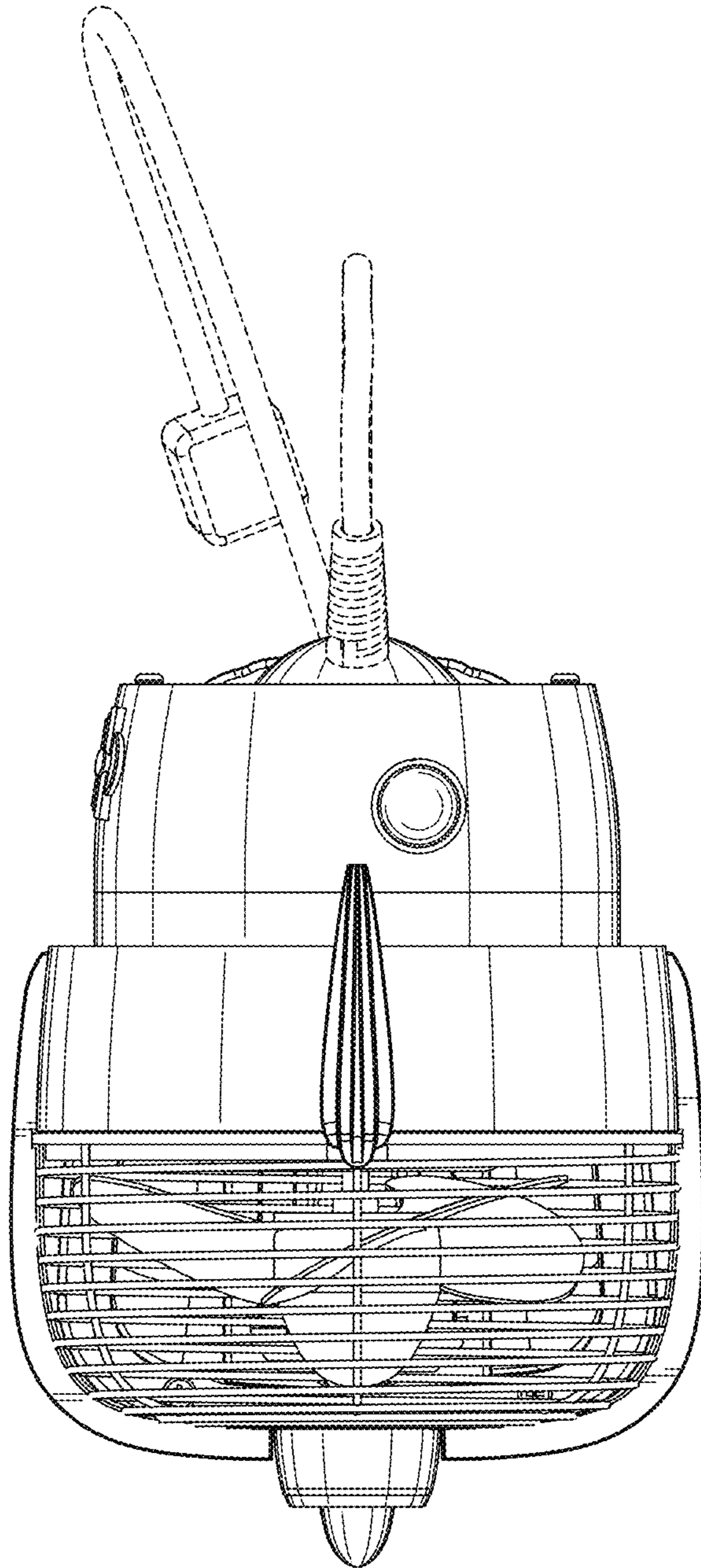


FIG. 7

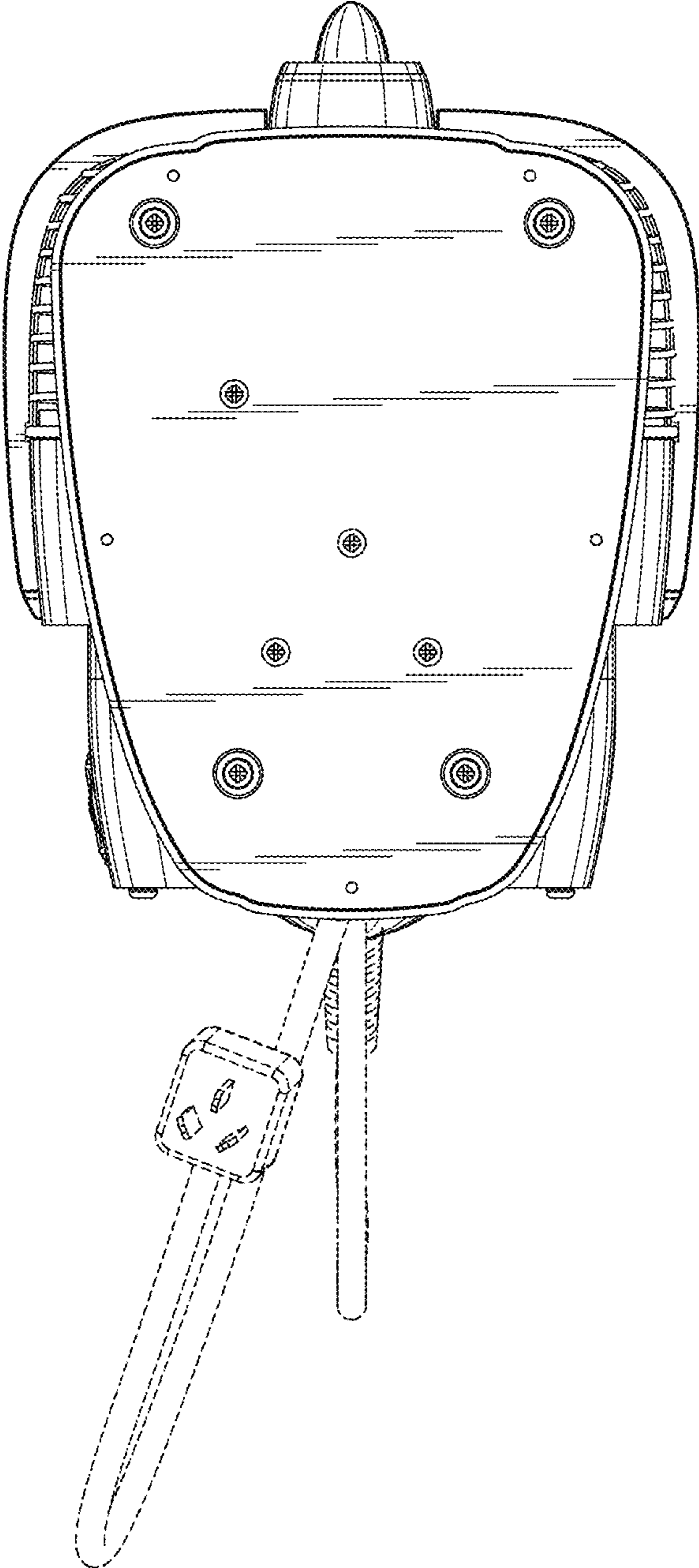


FIG. 8