



US00D799674S

(12) **United States Design Patent**  
**Wong**

(10) **Patent No.:** **US D799,674 S**

(45) **Date of Patent:** **\*\* Oct. 10, 2017**

(54) **ELECTRIC FAN**

(71) Applicant: **IMS International Ltd**, Hong Kong (HK)

(72) Inventor: **Ping Cheung Wong**, Hong Kong (HK)

(73) Assignee: **IMS INTERNATIONAL LTD**, Hong Kong (HK)

(\*\*) Term: **15 Years**

(21) Appl. No.: **29/557,867**

(22) Filed: **Mar. 14, 2016**

(30) **Foreign Application Priority Data**

Nov. 19, 2015 (HK) ..... 1502473

(51) **LOC (10) Cl.** ..... **23-04**

(52) **U.S. Cl.**  
USPC ..... **D23/382**

(58) **Field of Classification Search**

USPC ..... D23/370, 371, 377-379, 381, 382,  
D23/385-388, 411, 412; D26/59

CPC .... F04D 25/088; F04D 29/005; F04D 29/601;  
F04D 29/324; F21V 33/0096; F21V  
33/0092; F24F 13/078

See application file for complete search history.

(56) **References Cited**

**U.S. PATENT DOCUMENTS**

2,363,907 A \* 11/1944 Spear ..... F04D 29/646  
417/361

D352,775 S \* 11/1994 Radtke, Jr. .... D23/378

D483,852 S	*	12/2003	Wong	.....	D23/382
D538,920 S	*	3/2007	Russak	.....	D23/382
D544,595 S	*	6/2007	Kung	.....	D23/328
D569,961 S	*	5/2008	Wong	.....	D23/382
D571,447 S	*	6/2008	Russak	.....	D23/382
D692,996 S	*	11/2013	Alexander	.....	D23/370
D737,949 S	*	9/2015	He	.....	D23/382

\* cited by examiner

*Primary Examiner* — Janice Hallmark

(57) **CLAIM**

The ornamental design for an electric fan, as shown and described.

**DESCRIPTION**

FIG. 1 is a perspective view of an electric fan showing my new design;

FIG. 2 is a front elevational view thereof;

FIG. 3 is a rear elevational view thereof;

FIG. 4 is a left side view thereof;

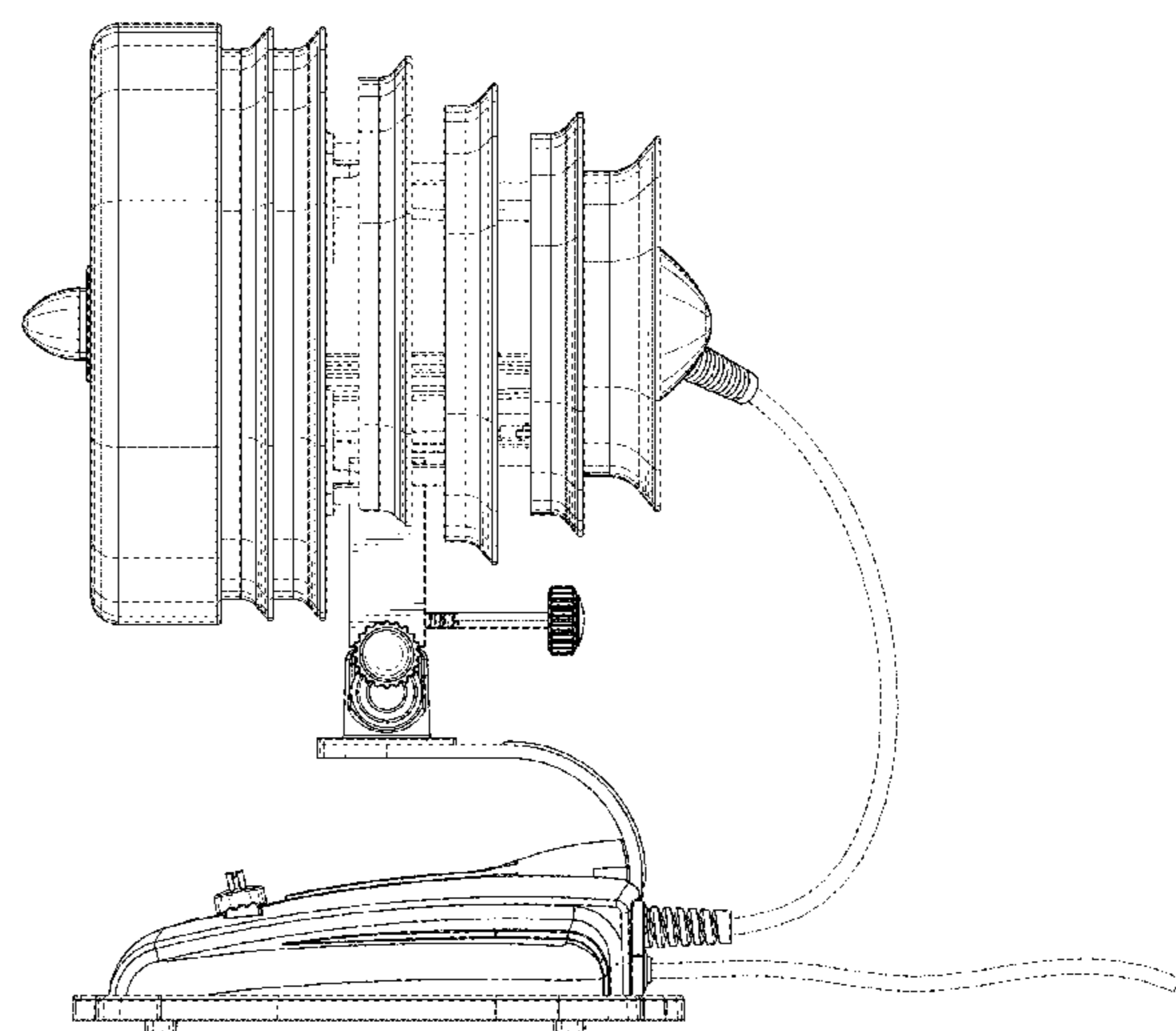
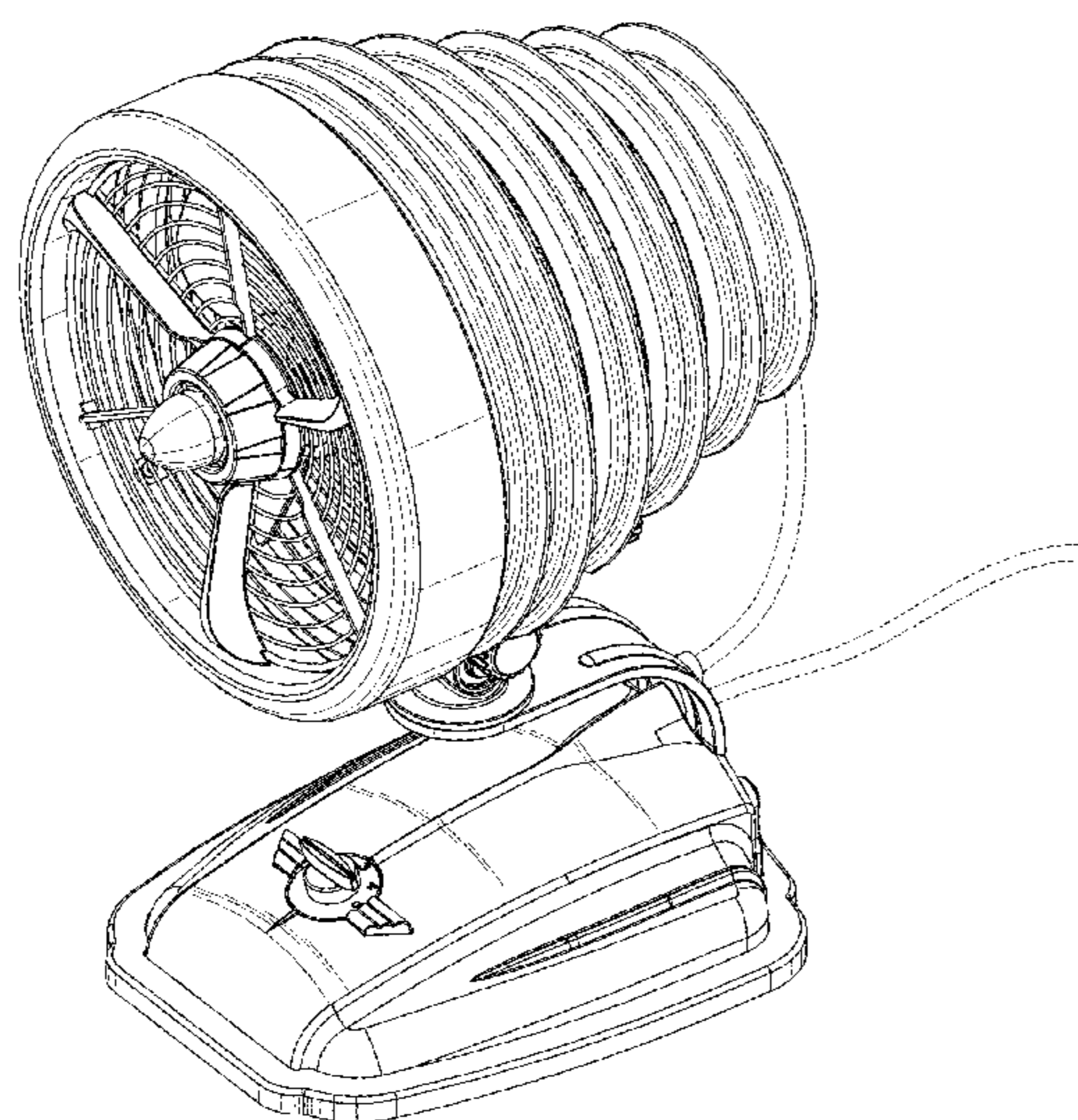
FIG. 5 is a right side view thereof;

FIG. 6 is a top plan view thereof; and,

FIG. 7 is a bottom plan view thereof.

The broken lines in the drawings illustrate parts of the electric fan that form no part of the claimed design.

**1 Claim, 7 Drawing Sheets**



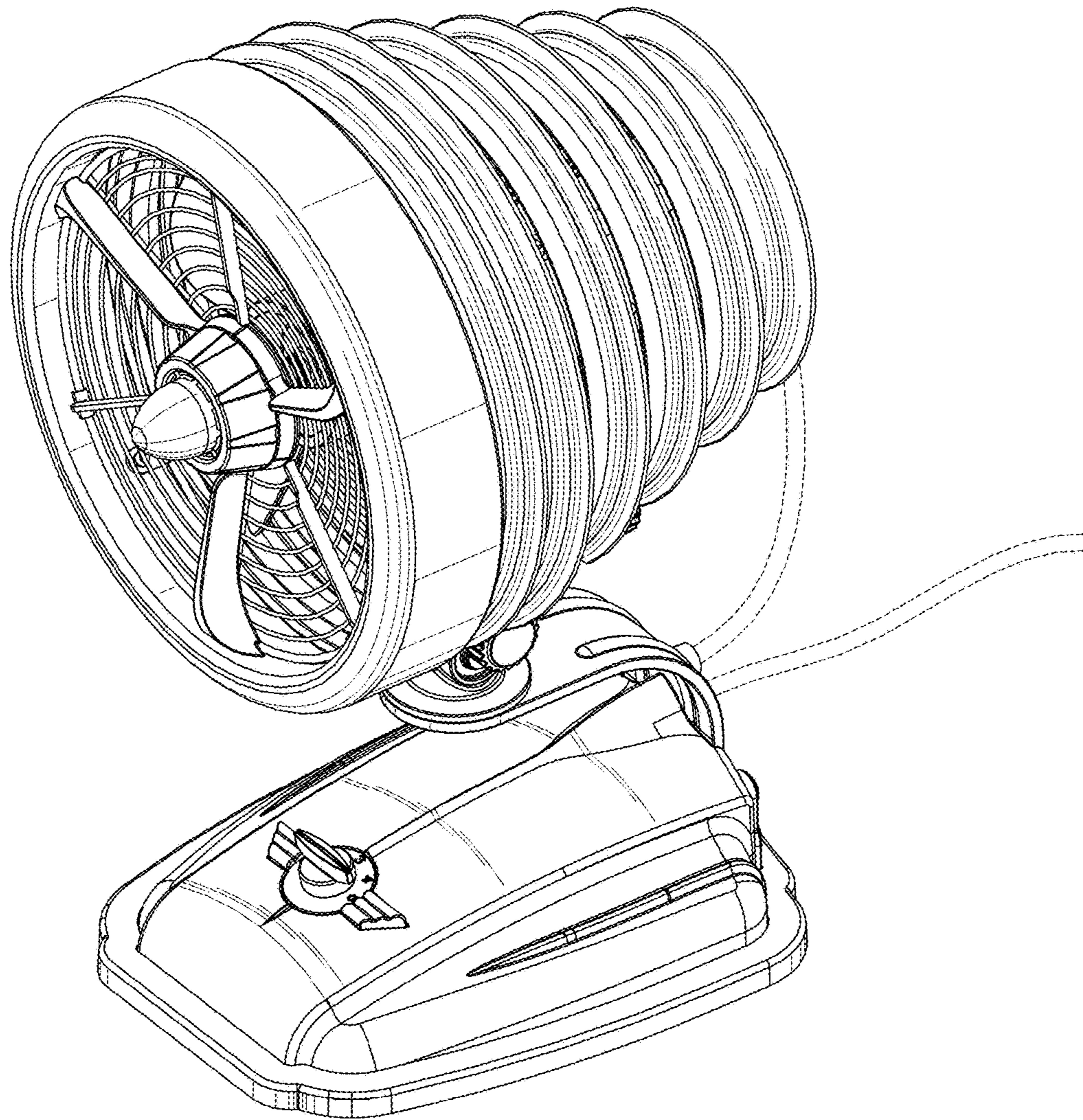


FIG. 1

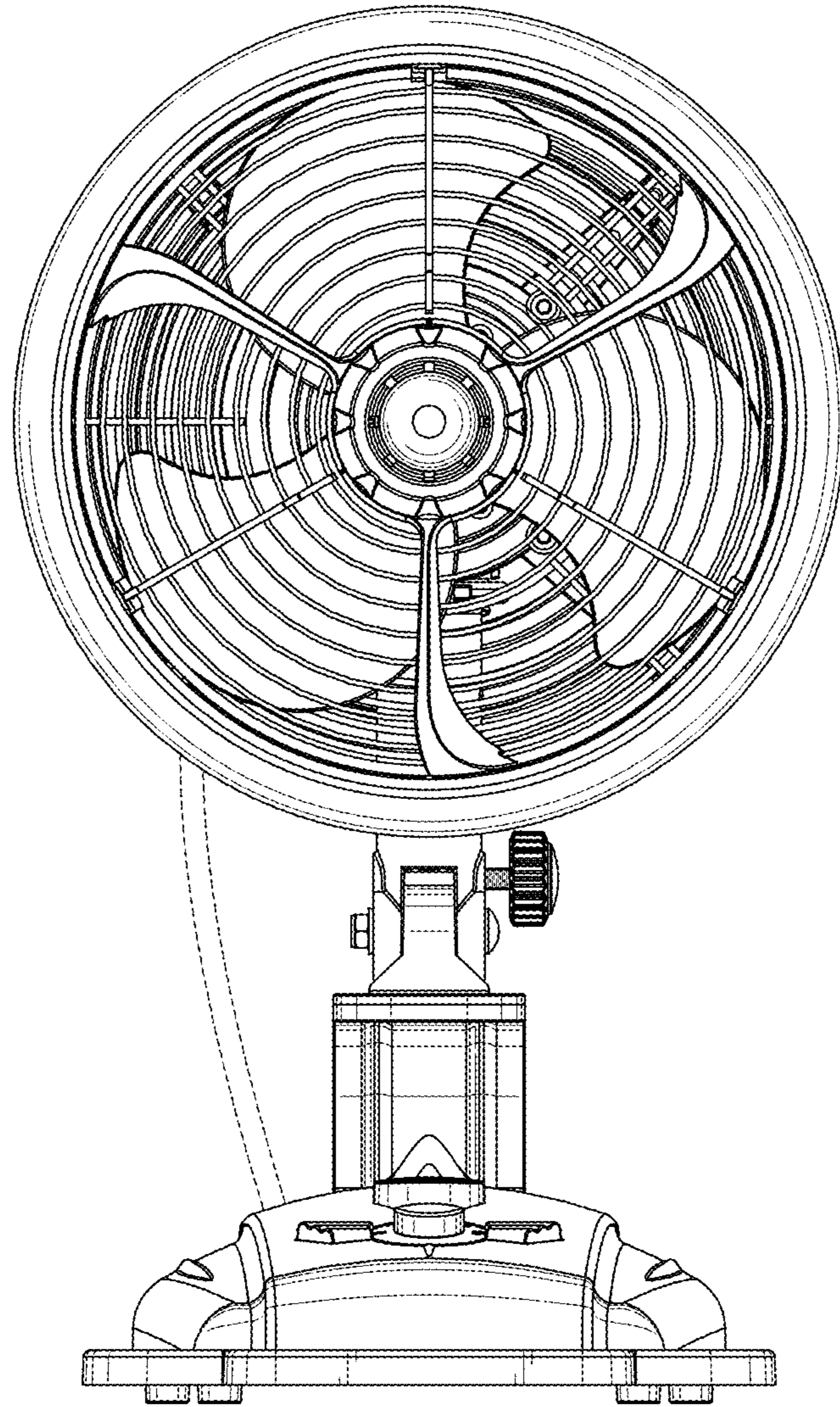


FIG. 2

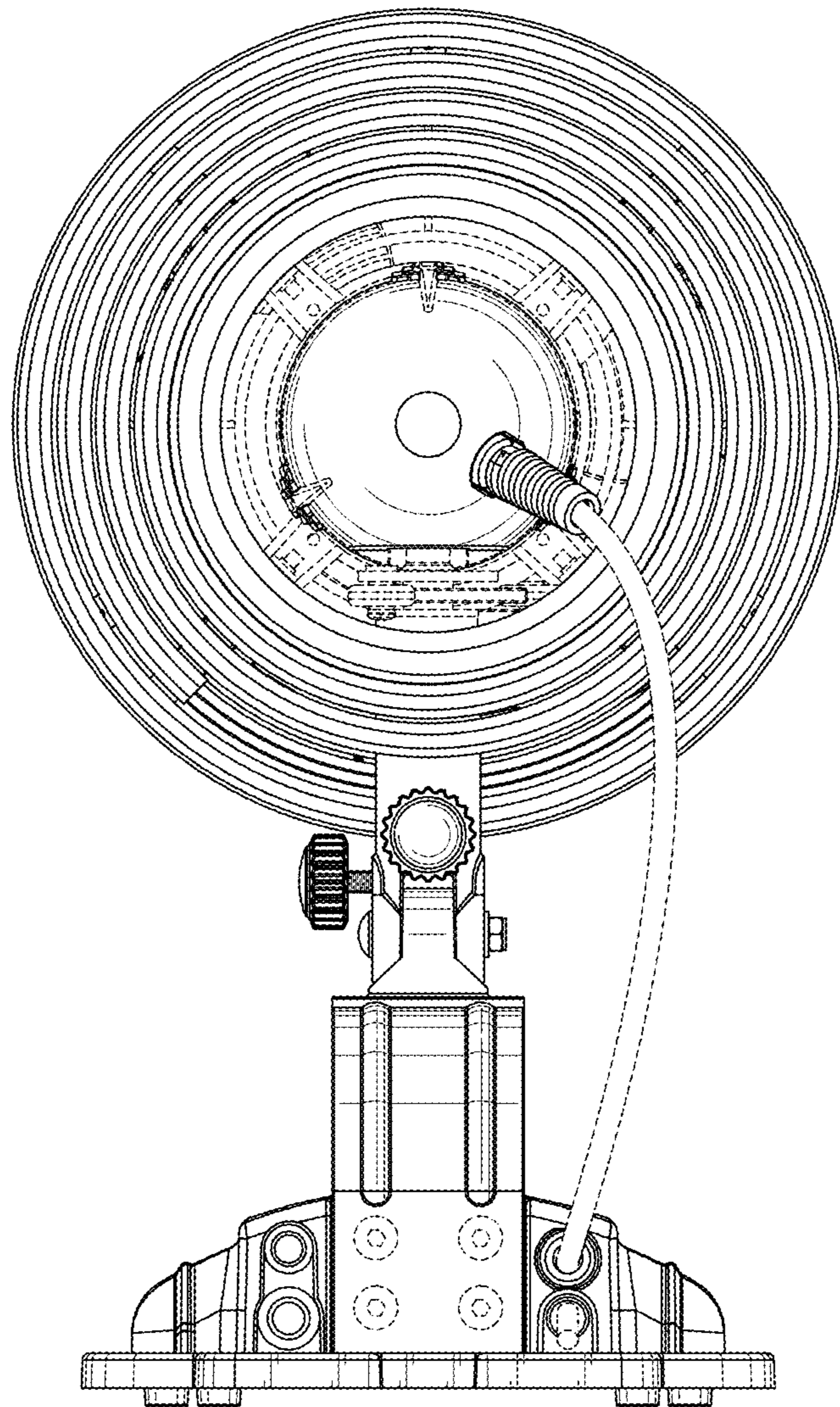


FIG. 3

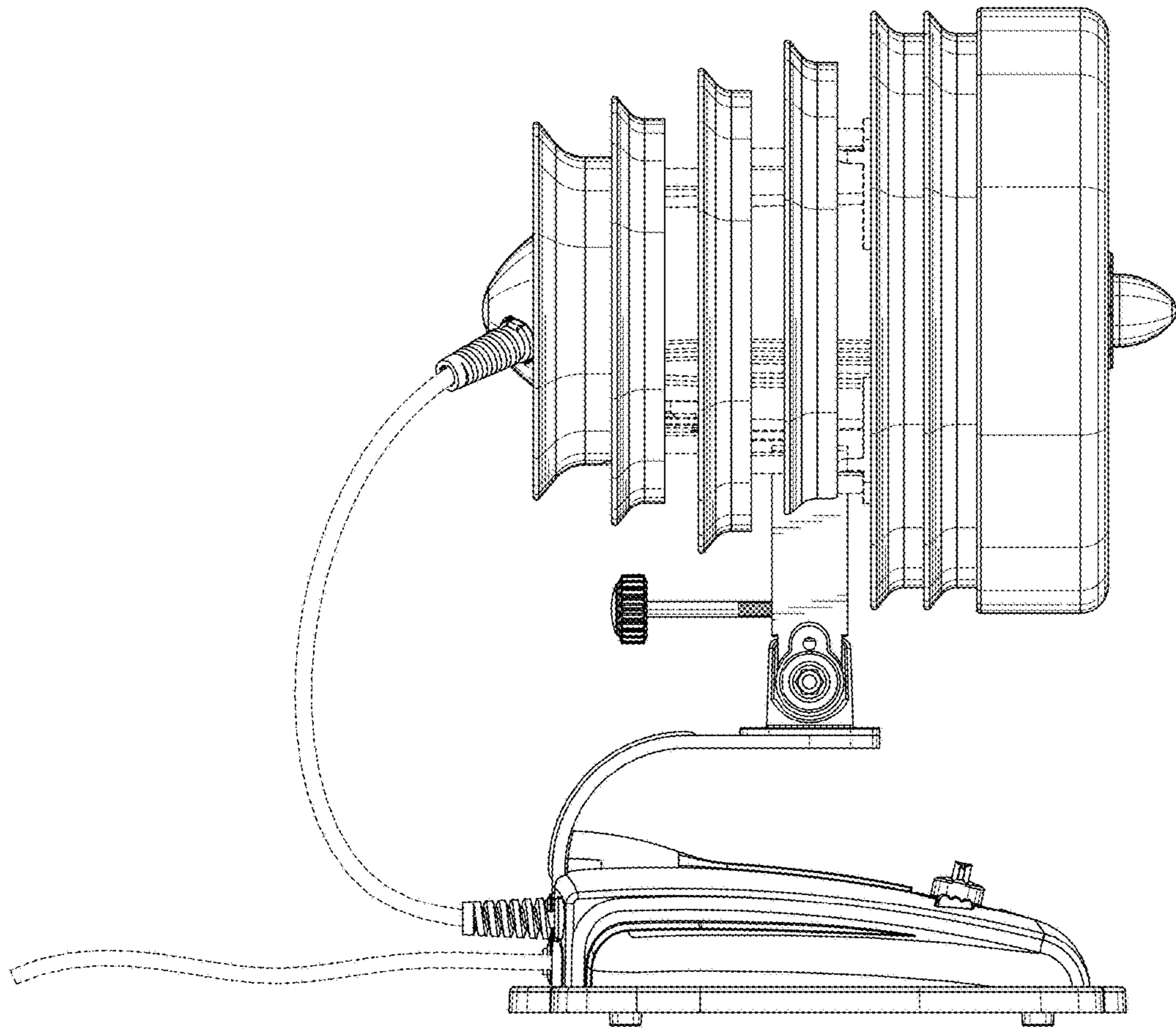


FIG. 4

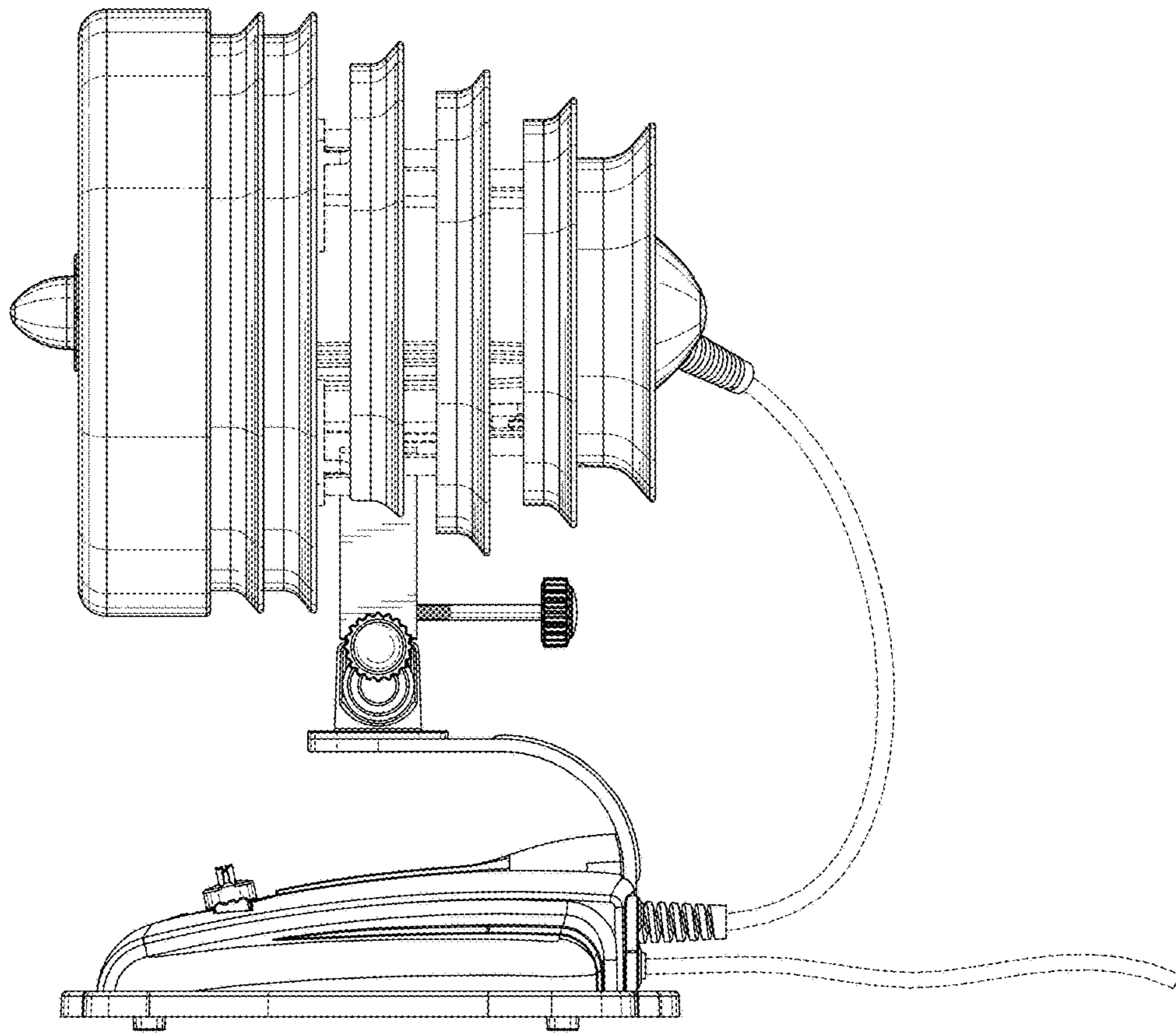


FIG. 5

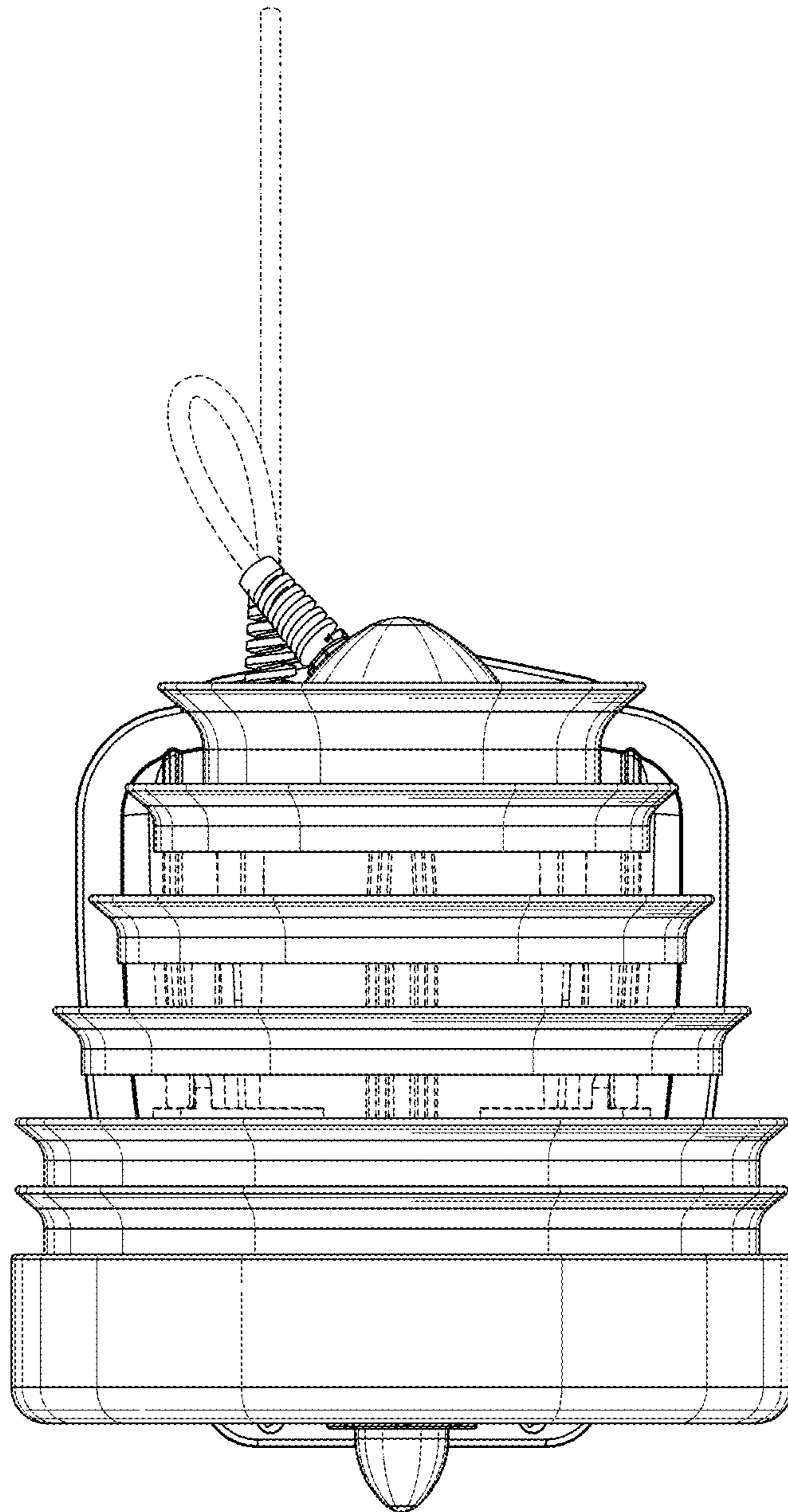


FIG. 6

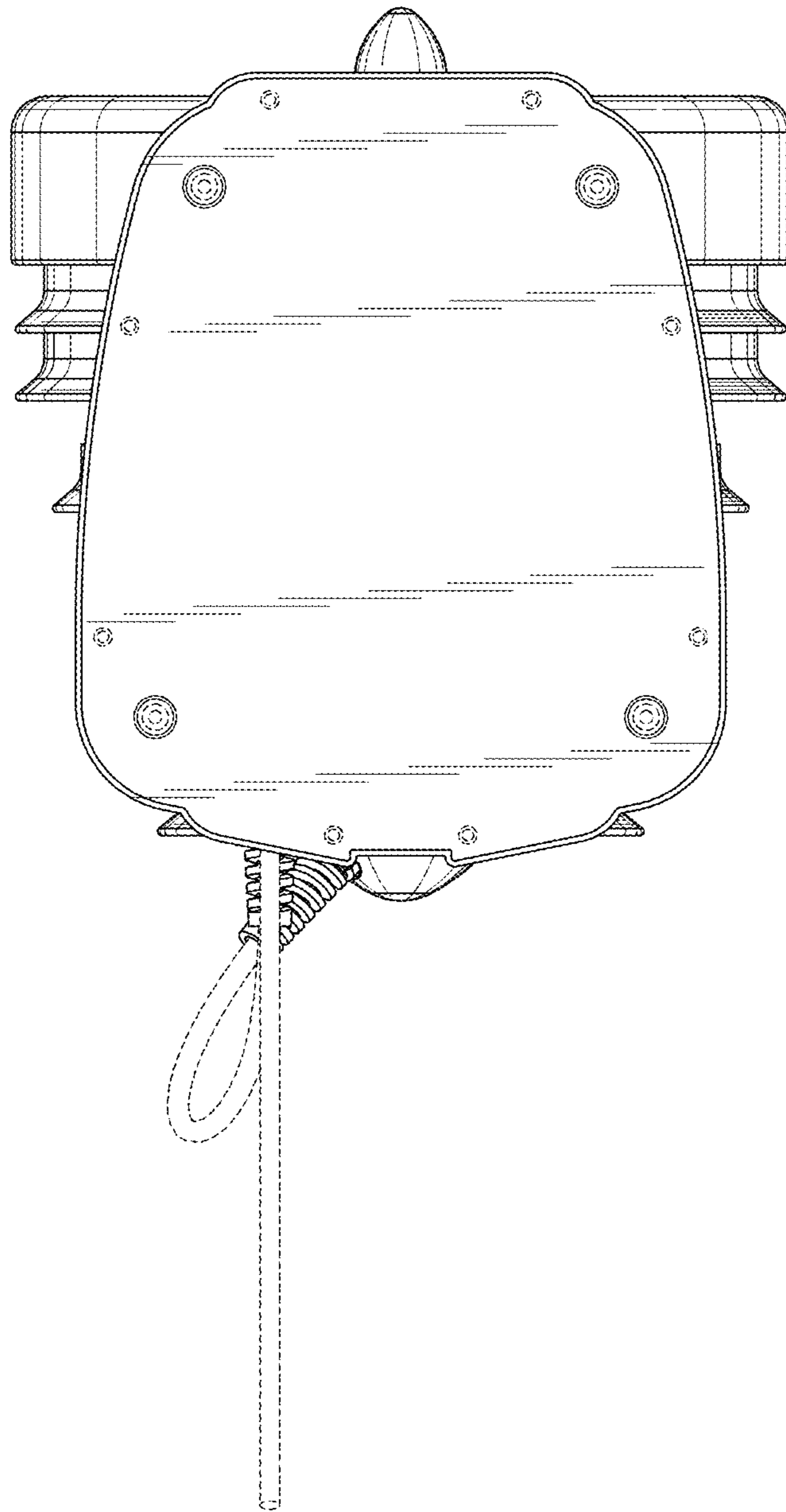


FIG. 7