



US00D799672S

(12) **United States Design Patent**
Breit et al.

(10) **Patent No.:** **US D799,672 S**

(45) **Date of Patent:** **** Oct. 10, 2017**

- (54) **WATER MISTING FAN**
- (71) Applicant: **O2COOL, LLC**, Chicago, IL (US)
- (72) Inventors: **Oliver Breit**, Discovery Bay (HK);
Jason Yap, Melbourne (AU)
- (73) Assignee: **O2COOL, LLC**, Chicago, IL (US)
- (**) Term: **15 Years**
- (21) Appl. No.: **29/585,982**
- (22) Filed: **Nov. 30, 2016**

Related U.S. Application Data

- (63) Continuation of application No. 29/528,409, filed on May 28, 2015, now Pat. No. Des. 773,631.
- (51) **LOC (10) Cl.** **23-04**
- (52) **U.S. Cl.**
USPC **D23/379**
- (58) **Field of Classification Search**
USPC D23/328, 370, 379, 411; D9/685
CPC B05B 3/022; B05B 3/02
See application file for complete search history.

References Cited

U.S. PATENT DOCUMENTS

- D529,166 S * 9/2006 Geringer D23/379
- D544,078 S * 6/2007 Geringer 261/28
- D553,227 S * 10/2007 Chen D23/314
- D698,428 S * 1/2014 Sands D23/314
- D703,304 S * 4/2014 Herbst D23/379
- D703,308 S * 4/2014 Peterson D23/379
- D733,282 S * 6/2015 Peterson D23/328

- 9,339,827 B2 * 5/2016 Chan B05B 3/022
- D767,747 S * 9/2016 Wang D23/379
- D770,022 S * 10/2016 Breit D23/328
- D773,630 S * 12/2016 Breit D23/328
- D773,631 S * 12/2016 Breit D23/379
- 2008/0237899 A1 * 10/2008 Chen B05B 11/0037
261/28
- 2014/0014740 A1 * 1/2014 Sands B05B 3/022
239/289
- 2016/0008827 A1 * 1/2016 Chan B05B 3/022
417/70

* cited by examiner

Primary Examiner — Janice Hallmark

(74) *Attorney, Agent, or Firm* — Thompson Coburn LLP;
Alan H. Norman

(57) **CLAIM**

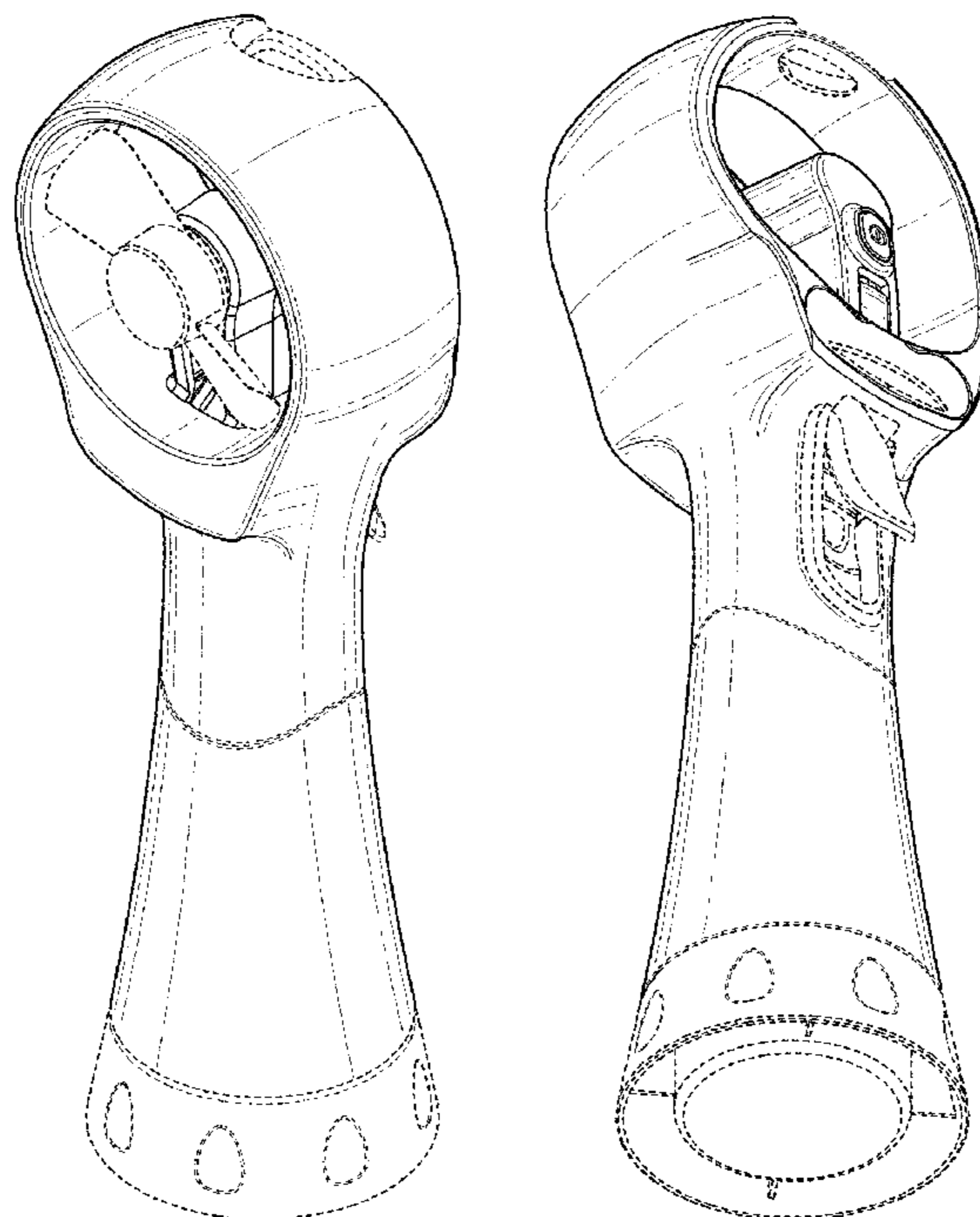
The ornamental design for a water misting fan, as shown and described.

DESCRIPTION

FIG. 1 is a first perspective view of the water misting fan showing our new design;
 FIG. 2 is a second perspective view of the water misting fan;
 FIG. 3 is a front view thereof;
 FIG. 4 is a rear view thereof;
 FIG. 5 is a left side view thereof;
 FIG. 6 is a right side view thereof;
 FIG. 7 is a top plan view thereof; and,
 FIG. 8 is a bottom view thereof.

The broken lines immediately adjacent the shaded areas represent the bounds of the claimed design while all other broken lines are directed to environment; the broken lines form no part of the claimed design.

1 Claim, 7 Drawing Sheets



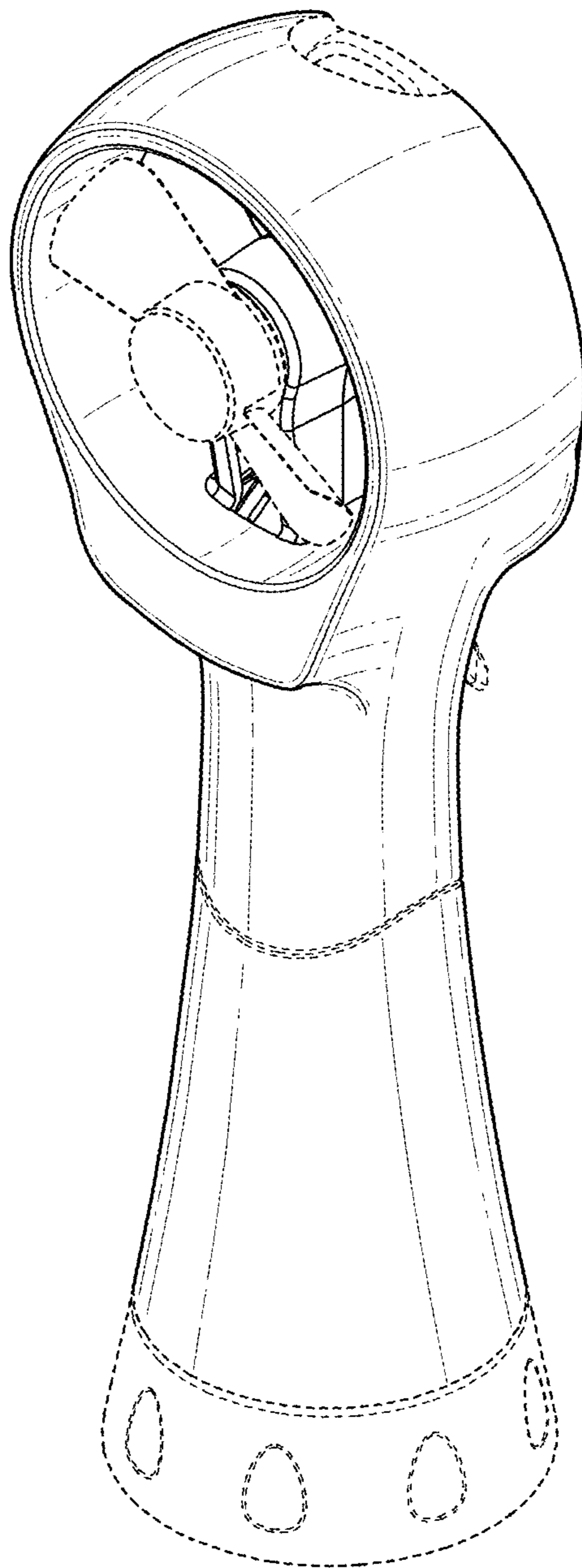


FIG. 1

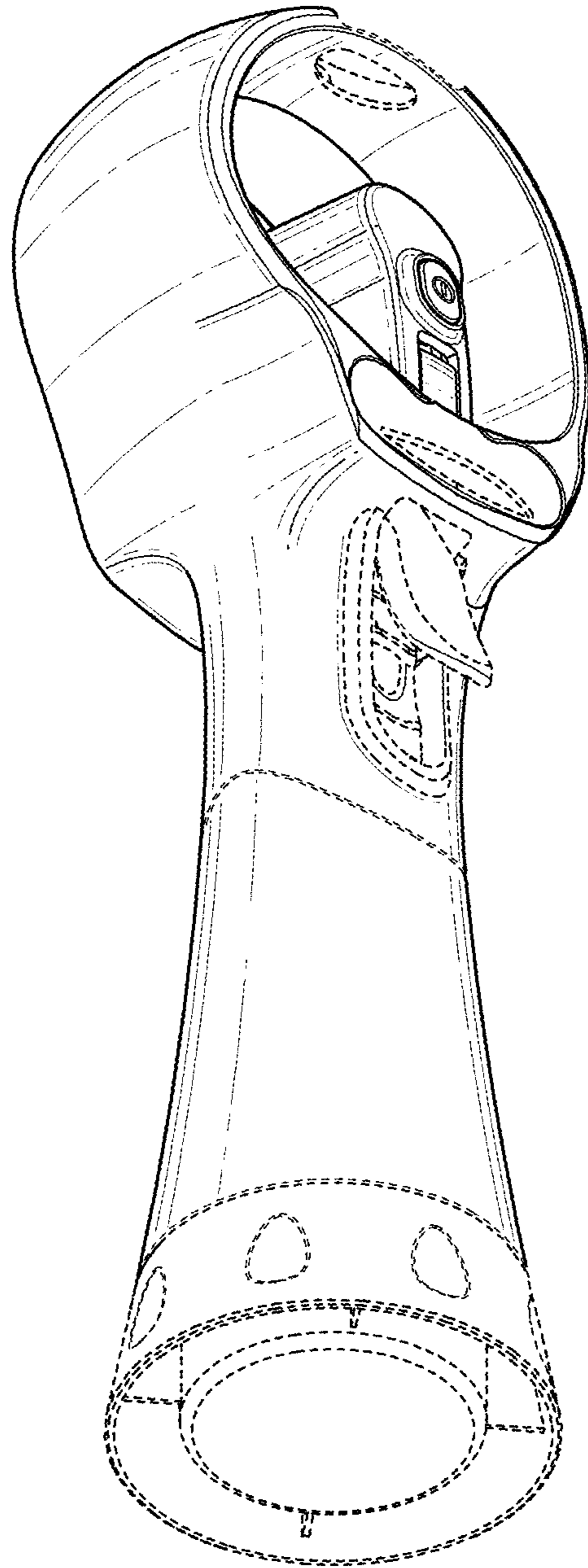


FIG. 2

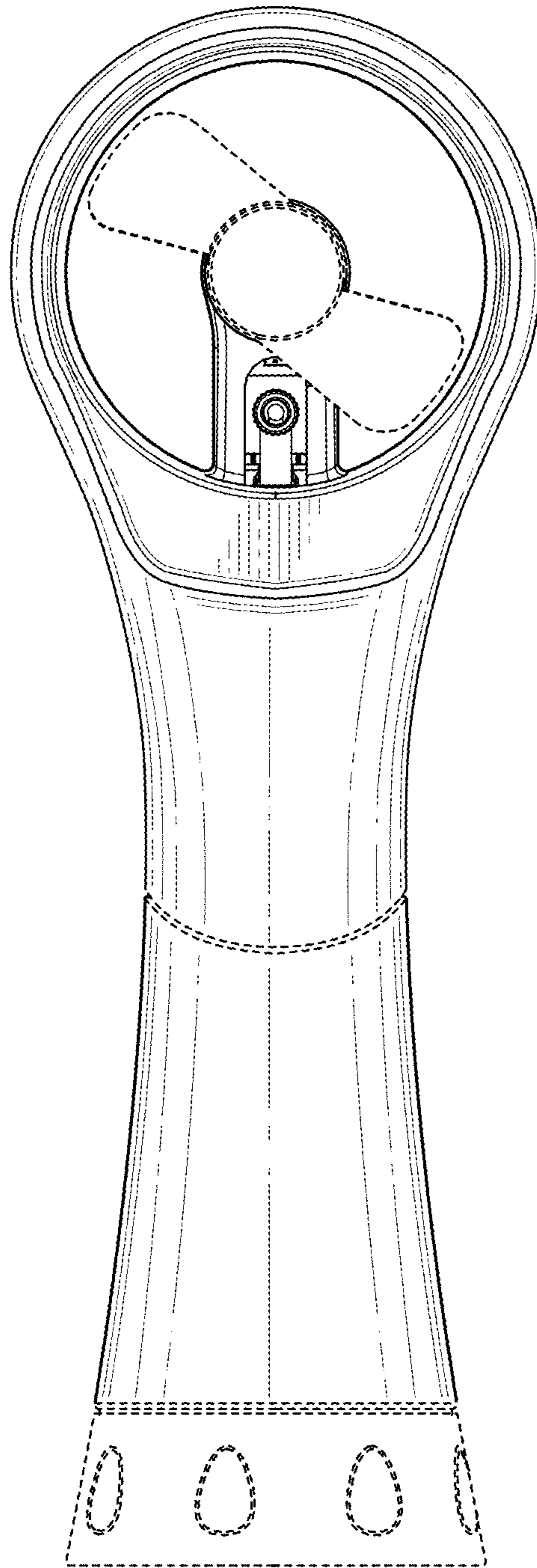


FIG. 3

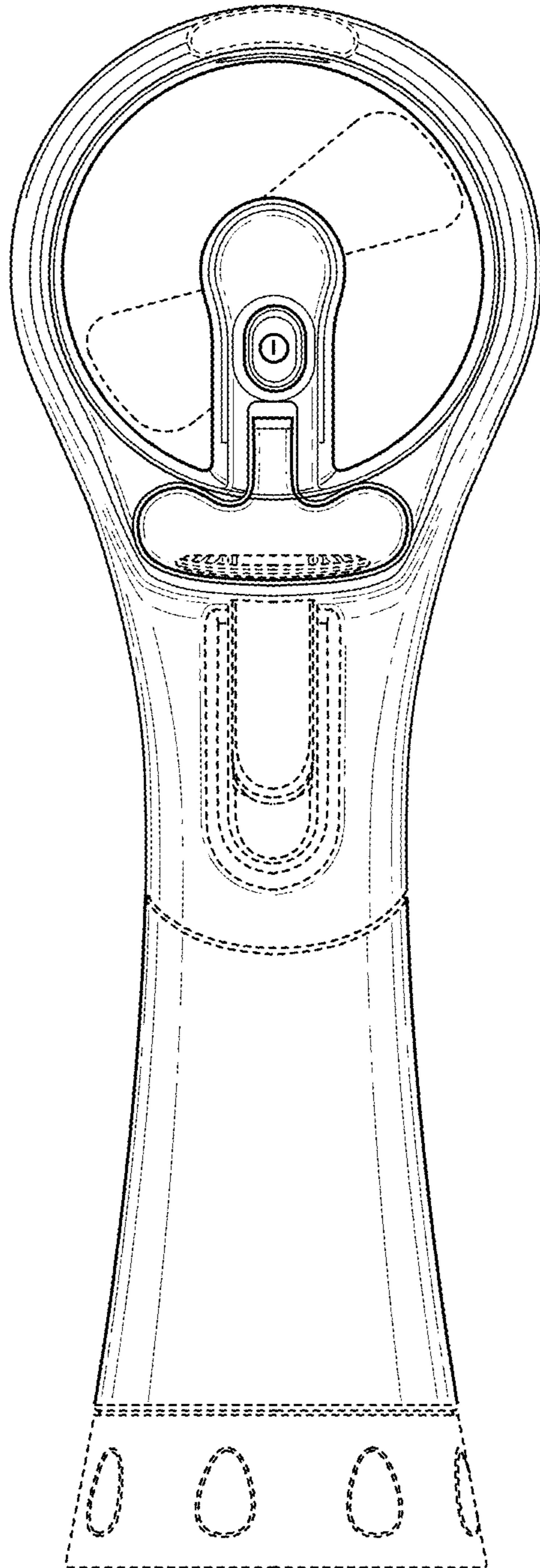


FIG. 4

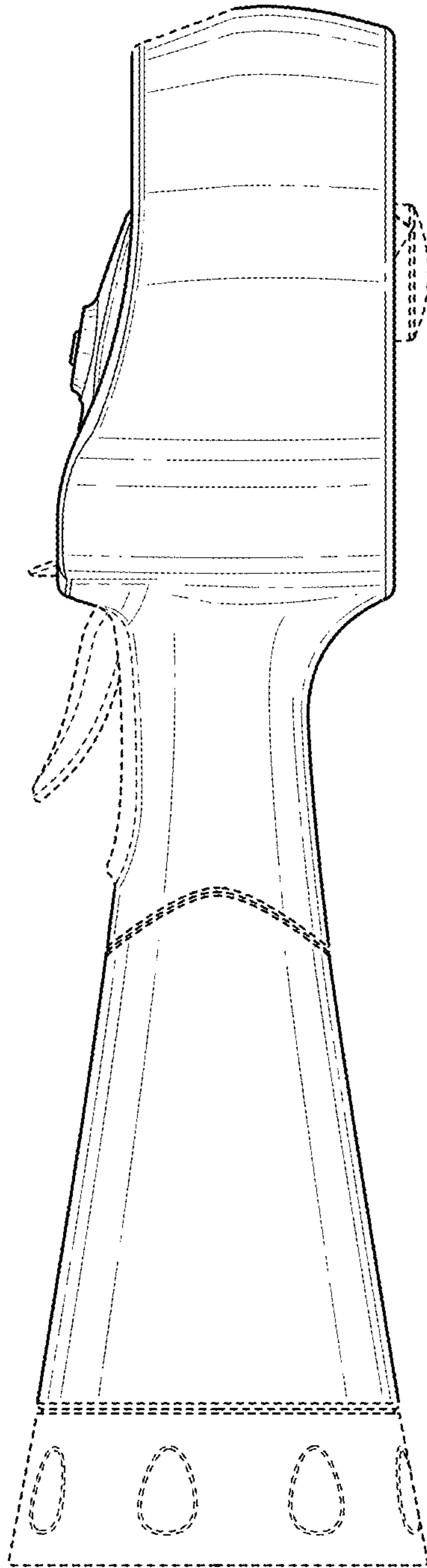


FIG. 5

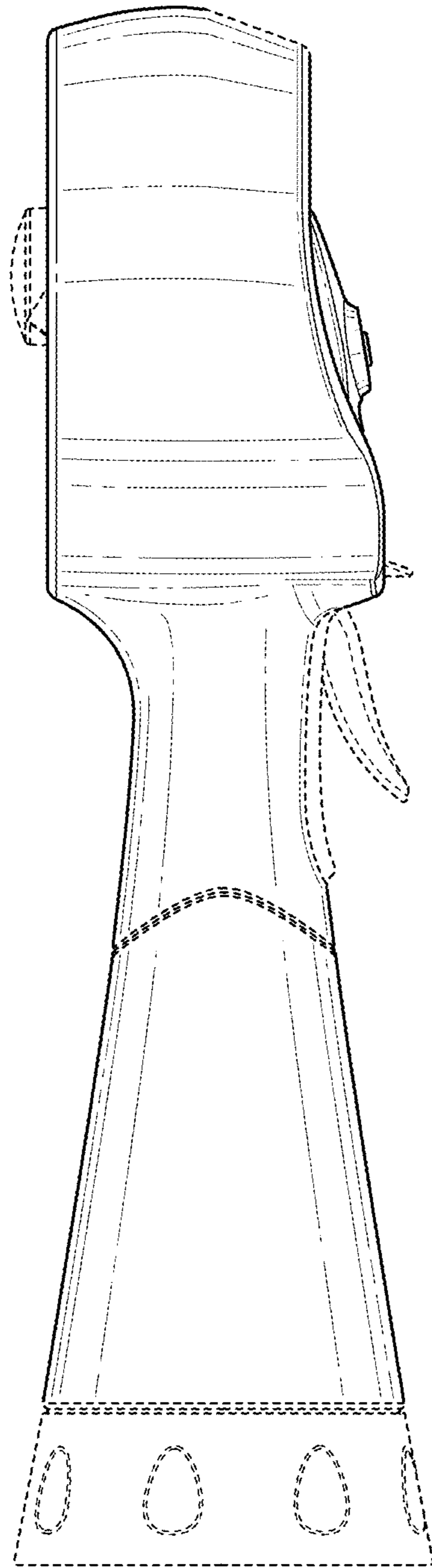


FIG. 6

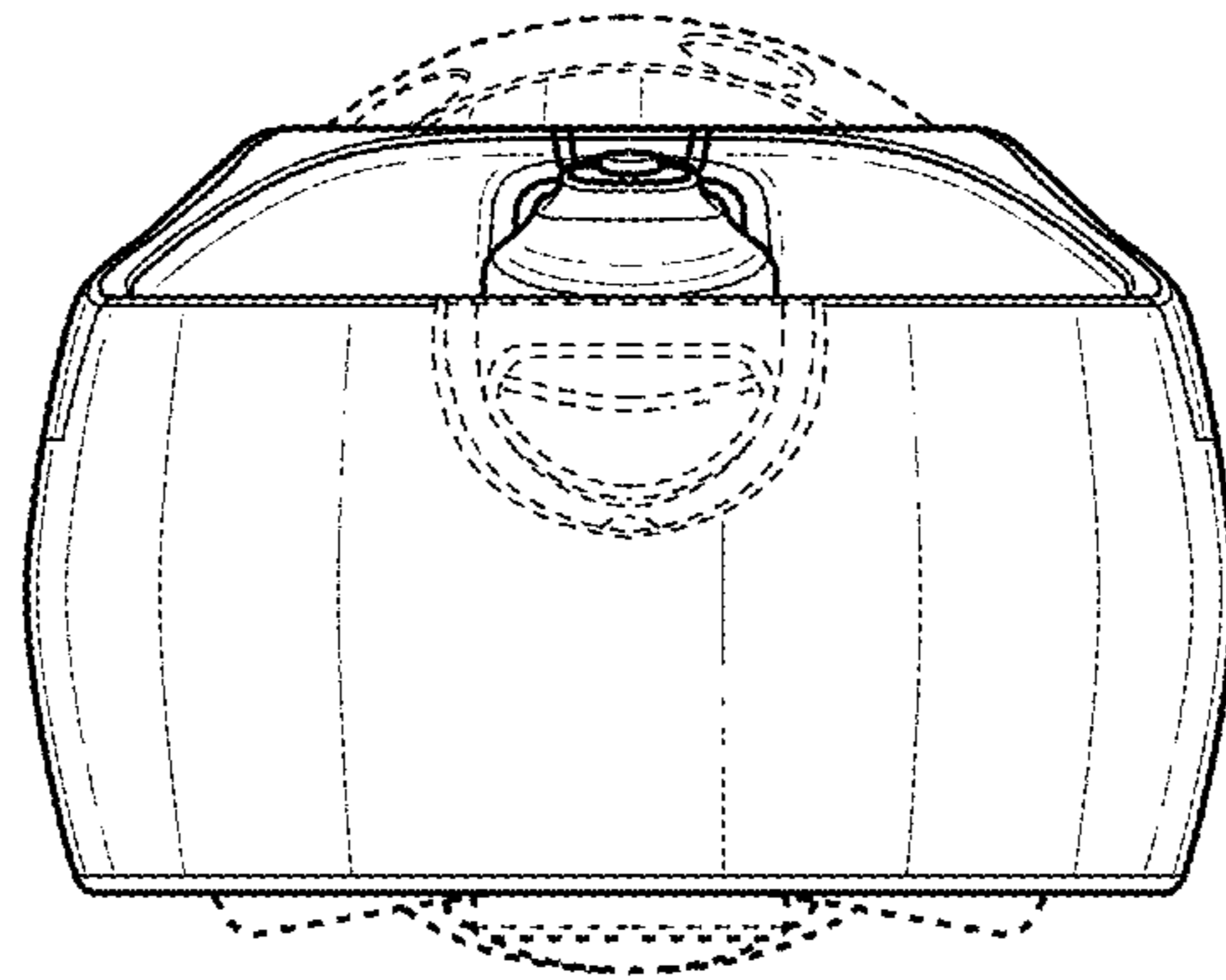


FIG. 7

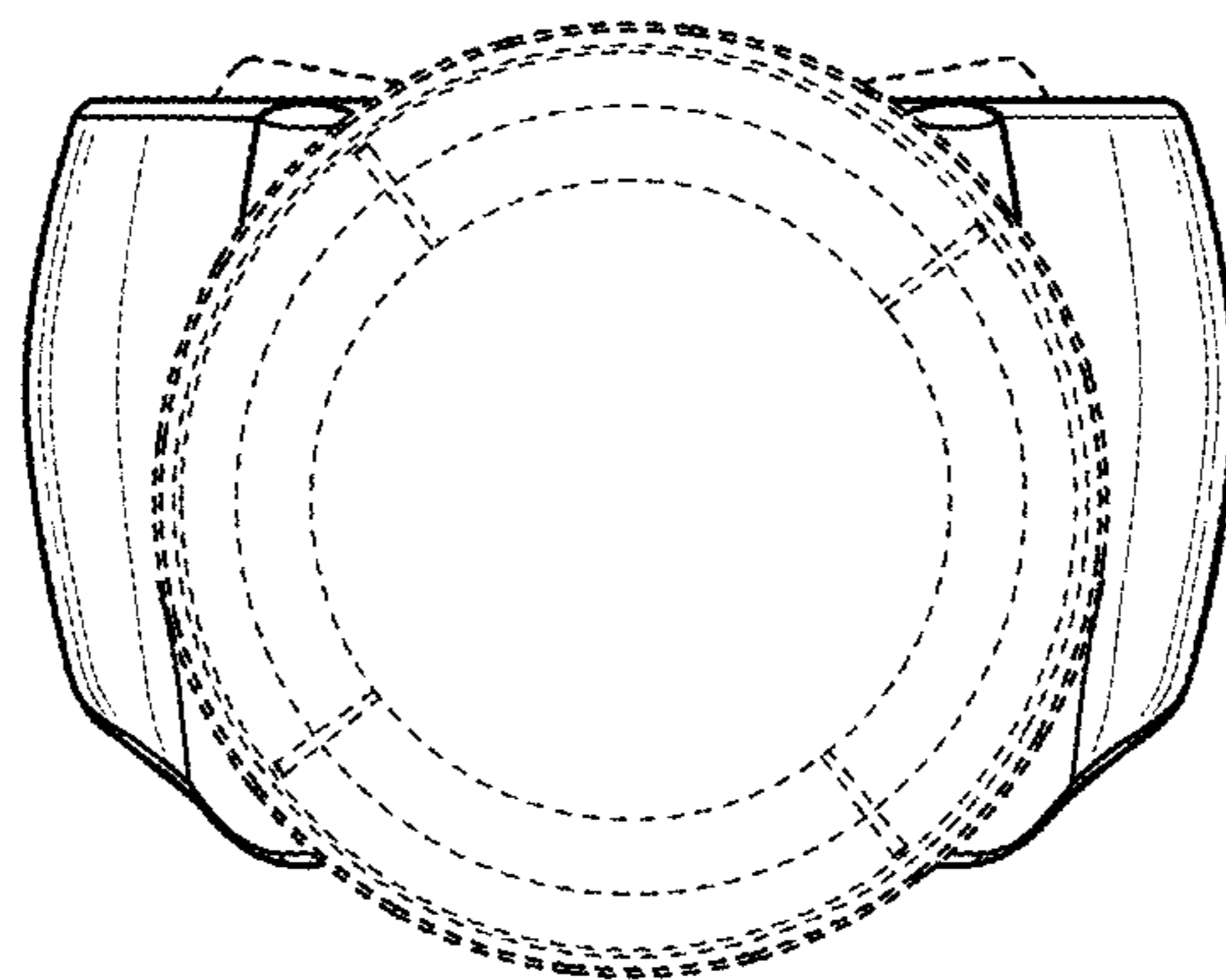


FIG. 8