



US00D799671S

(12) **United States Design Patent**
Deffrennes

(10) **Patent No.:** **US D799,671 S**

(45) **Date of Patent:** **** Oct. 10, 2017**

(54) **ELECTRIC FAN**

(71) Applicant: **CALOR**, Ecully (FR)

(72) Inventor: **Lowie Deffrennes**, Ecully (FR)

(73) Assignee: **CALOR**, Ecully (FR)

(**) Term: **15 Years**

(21) Appl. No.: **29/575,643**

(22) Filed: **Aug. 26, 2016**

(30) **Foreign Application Priority Data**

Mar. 3, 2016 (EM) 003010941-0001

(51) **LOC (10) Cl.** **23-04**

(52) **U.S. Cl.**
USPC **D23/378**

(58) **Field of Classification Search**
USPC D23/370, 371, 373, 377-379, 381, 382,
D23/385-388, 411, 412, 356, 358, 359,
D23/363, 328, 332, 335, 342; D26/59;
D13/179

CPC F04D 25/088; F04D 29/005; F04D 29/601;
F04D 29/324; F21V 33/0096; F21V
33/0092; F24F 13/078

See application file for complete search history.

(56) **References Cited**

U.S. PATENT DOCUMENTS

D483,466 S * 12/2003 Shapiro D23/378
D507,339 S * 7/2005 Shapiro D23/335

D510,993 S * 10/2005 Fok D23/378
D513,071 S * 12/2005 Lee D23/378
D514,687 S * 2/2006 Dooley D23/378
7,118,323 B2 * 10/2006 Iyer F04D 17/04
415/224
D582,538 S * 12/2008 Catrino D23/378
D586,450 S * 2/2009 Lewis D23/341
D634,836 S * 3/2011 Lewis D23/378
2005/0123392 A1 * 6/2005 Belsito F04D 25/166
415/53.1

* cited by examiner

Primary Examiner — Janice Hallmark

(74) *Attorney, Agent, or Firm* — Loeb & Loeb LLP

(57) **CLAIM**

The ornamental design for an electric fan, as shown and described.

DESCRIPTION

FIG. 1 is a perspective view of an electric fan showing my new design;

FIG. 2 is a front elevational view thereof;

FIG. 3 is a rear elevational view thereof;

FIG. 4 is a right side elevational view thereof;

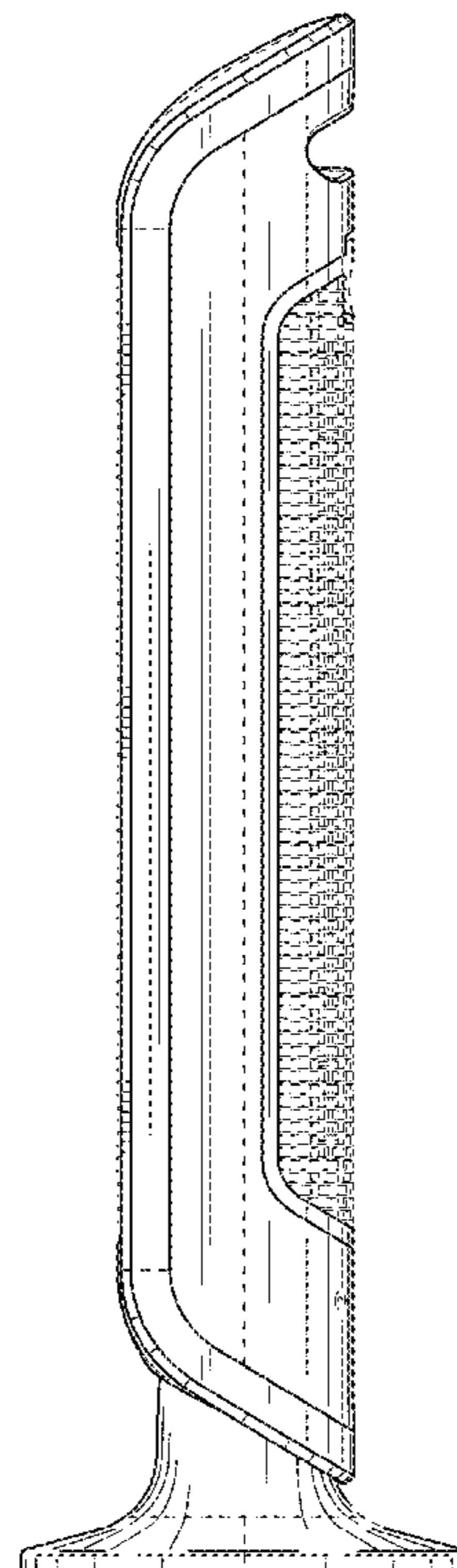
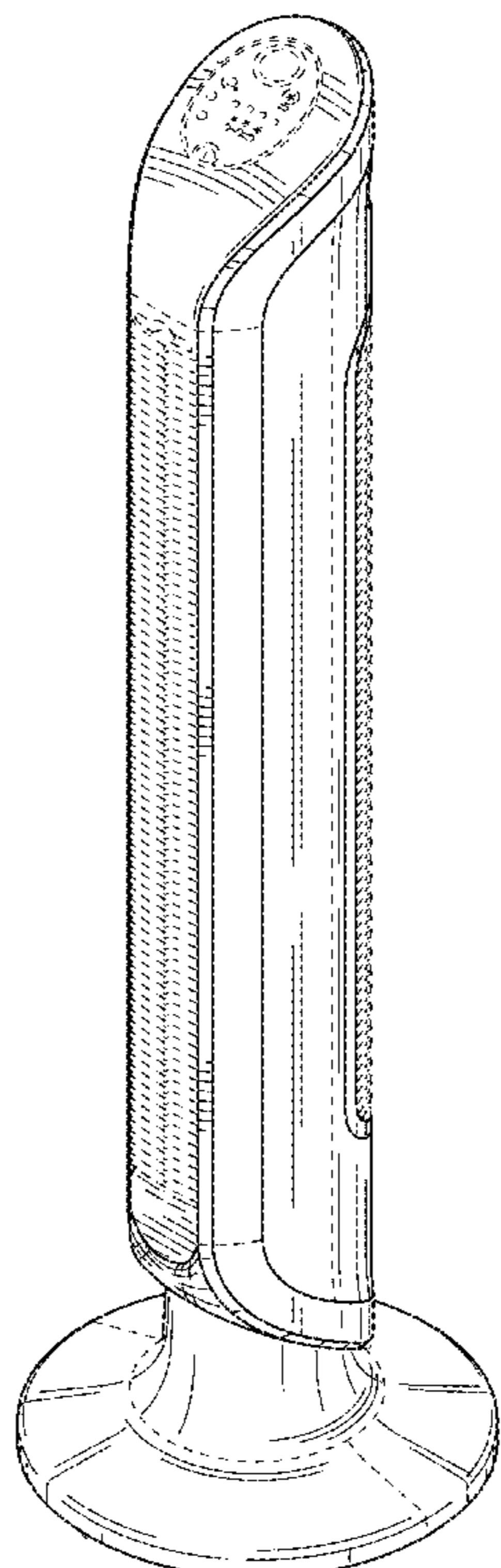
FIG. 5 is a left side elevational view thereof;

FIG. 6 is a top view thereof; and,

FIG. 7 is a bottom view thereof.

The broken lines in the drawings illustrate parts of the electric fan that form no part of the claimed design.

1 Claim, 6 Drawing Sheets



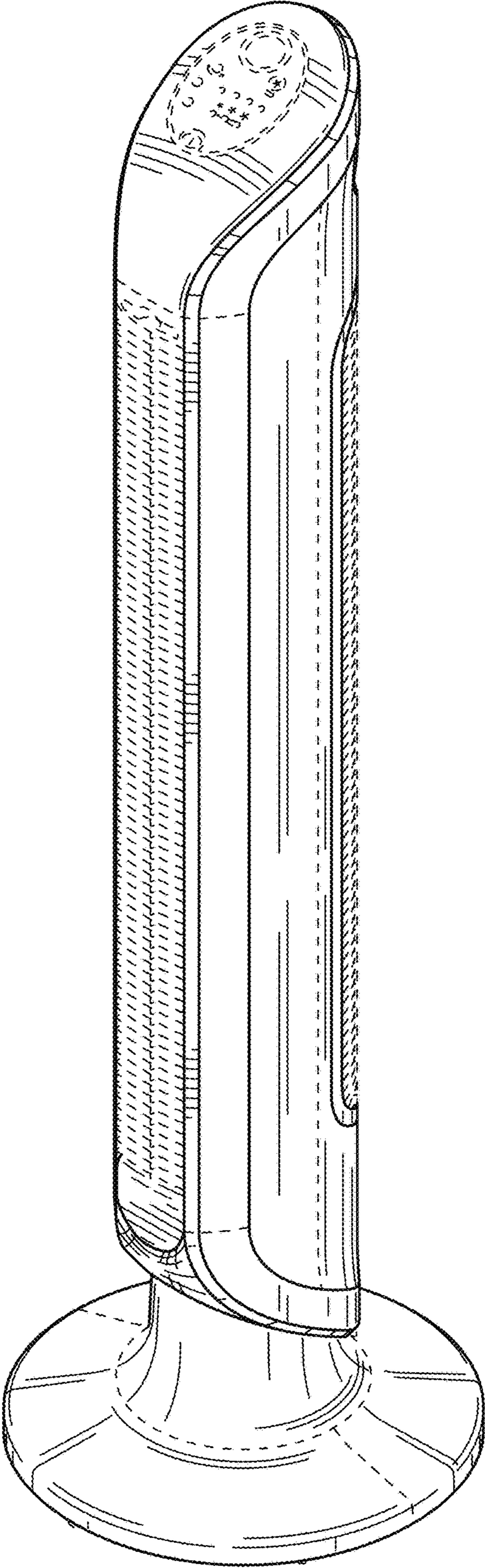


FIG. 1

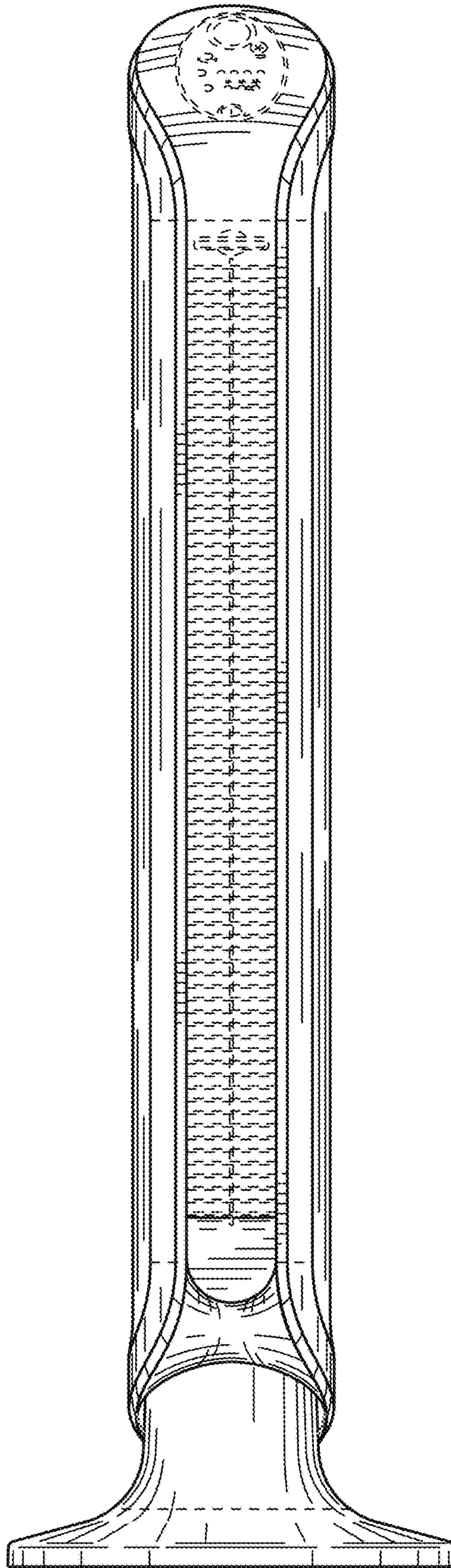


FIG. 2

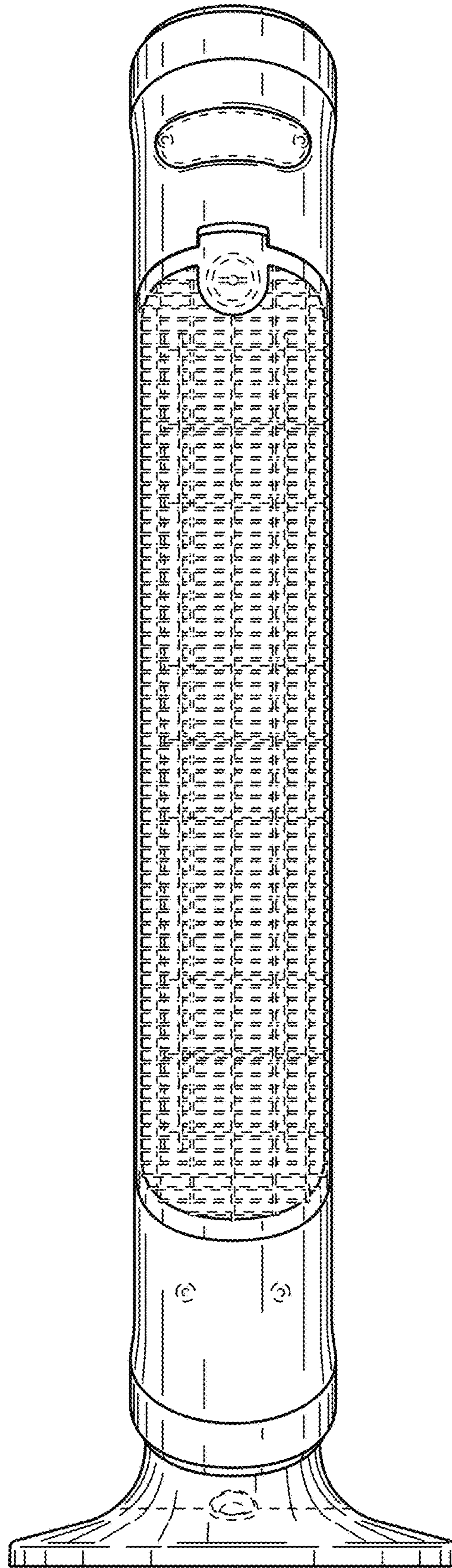


FIG. 3

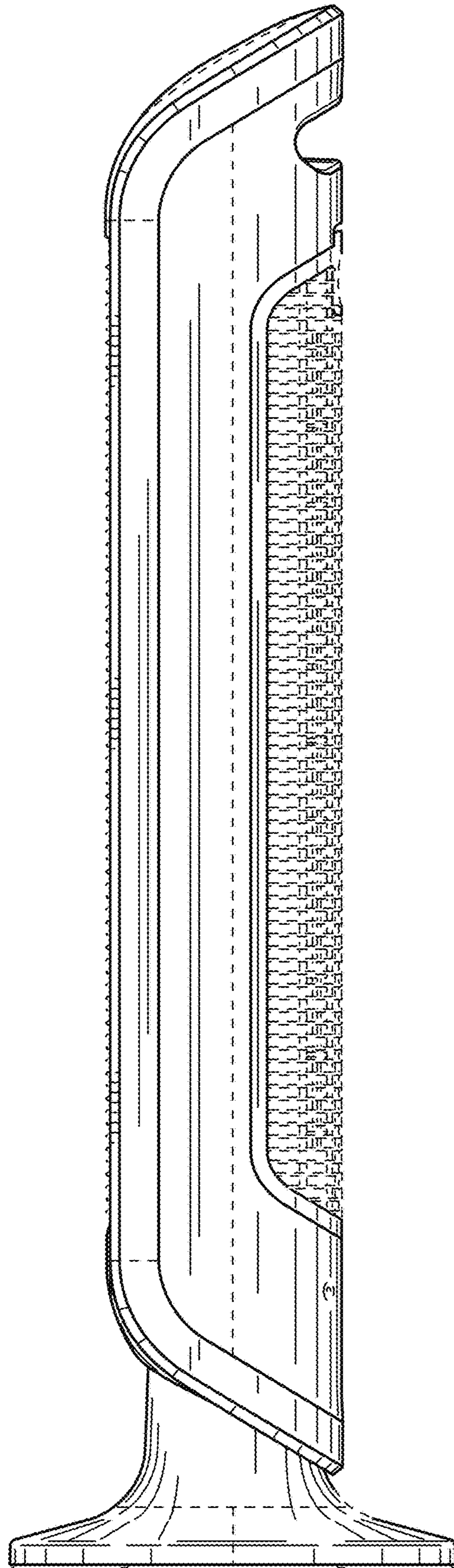


FIG. 4

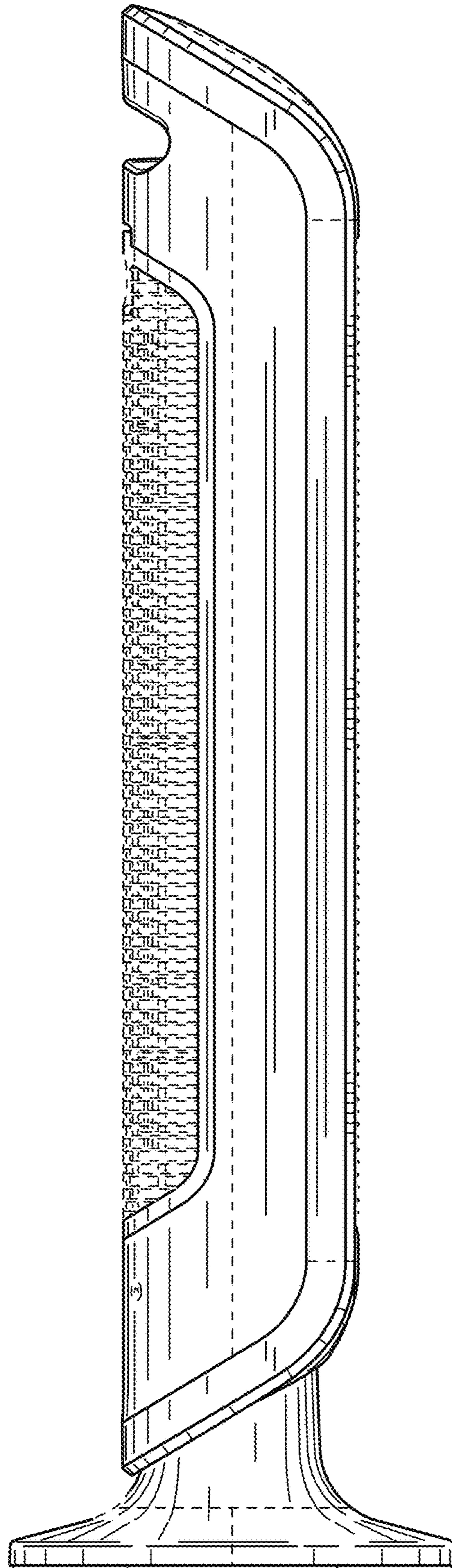


FIG. 5

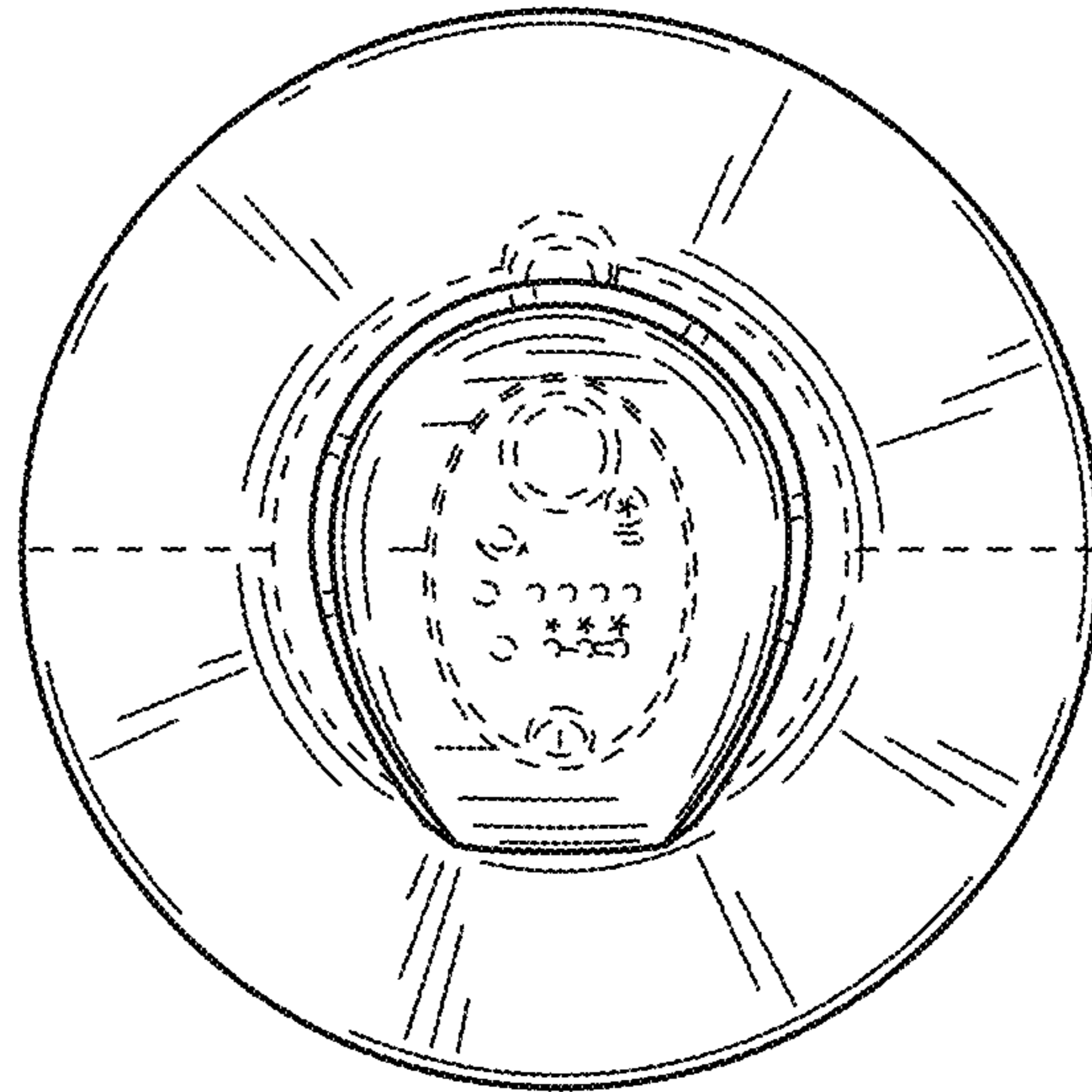


FIG. 6

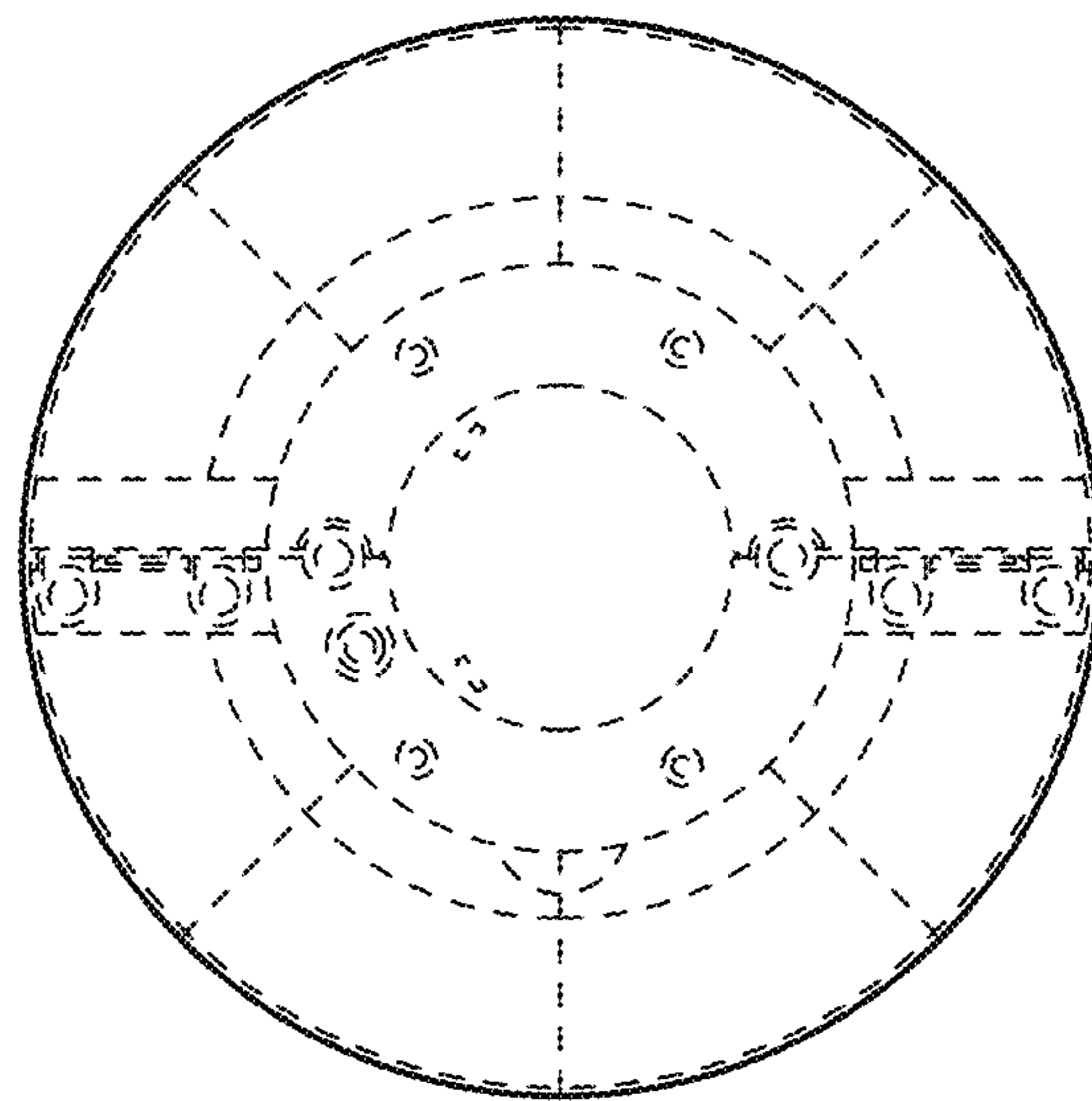


FIG. 7