



US00D799670S

(12) **United States Design Patent** (10) **Patent No.:** **US D799,670 S**
McDonnell (45) **Date of Patent:** **** Oct. 10, 2017**

(54) **FAN WITH STAND**

D184,316 S * 1/1959 Krauss D23/378
D205,252 S * 7/1966 Schreckengost D14/133
D416,996 S * 11/1999 Mack D23/381

(71) Applicant: **Joseph A. McDonnell**, Miramar, FL
(US)

* cited by examiner

(72) Inventor: **Joseph A. McDonnell**, Miramar, FL
(US)

Primary Examiner — Janice Hallmark
(74) *Attorney, Agent, or Firm* — Harness, Dickey &
Pierce, PLC

(**) Term: **15 Years**

(57) **CLAIM**

(21) Appl. No.: **29/529,748**

The ornamental design for the fan with stand, as shown and described herein.

(22) Filed: **Jun. 10, 2015**

DESCRIPTION

(51) **LOC (10) Cl.** **23-04**

(52) **U.S. Cl.**
USPC **D23/378**

(58) **Field of Classification Search**
USPC D23/370-387, 411-414, 365, 355, 342,
D23/332, 328, 337, 335, 314, 393;
415/60, 66, 68, 208.1, 213.1, 214.1,
415/209.3; 310/257; 361/695;
126/299 D, 299 R; D26/59, 89;
416/210 R
CPC F01D 9/042; F04D 25/08; F04D 29/70;
F04D 29/34; F04D 19/00; F24F 7/007;
F24F 13/082; F24F 7/065; F24F 13/078
See application file for complete search history.

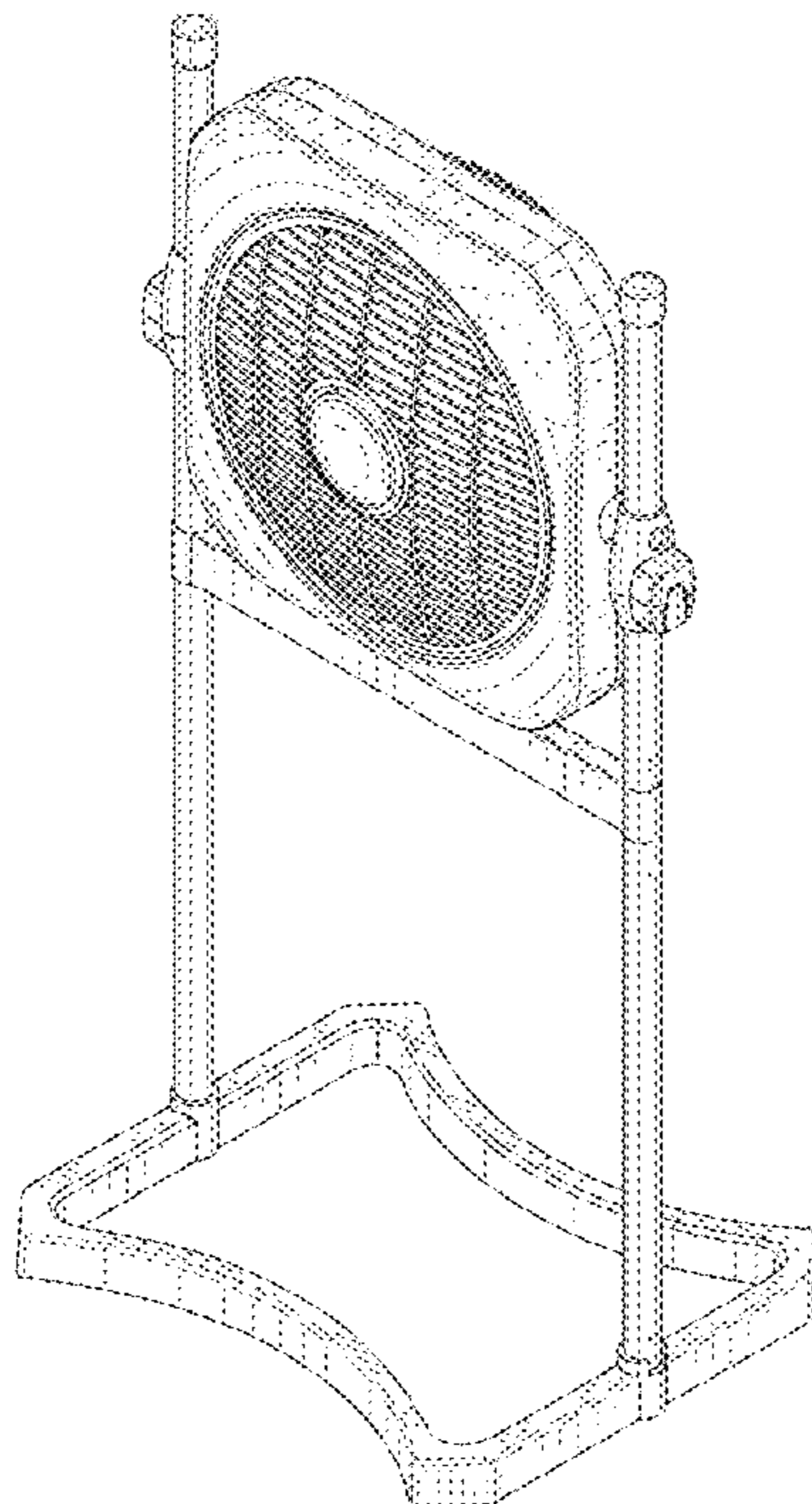
FIG. 1 is a front view of a fan with stand showing my new design;
FIG. 2 is a rear view of the fan with stand shown in FIG. 1;
FIG. 3 is a left side view of the fan with stand shown in FIG. 1;
FIG. 4 is a right side view of the fan with stand shown in FIG. 1;
FIG. 5 is a top view of the fan with stand shown in FIG. 1;
FIG. 6 is a bottom view of the fan with stand shown in FIG. 1;
FIG. 7 is a front perspective view of the fan with stand shown in FIG. 1;
FIG. 8 is a rear enlarged detail view of the top portion of the fan with stand shown in FIG. 1;
FIG. 9 is a front enlarged detail view of the top portion of the fan with stand shown in FIG. 1; and,
FIG. 10 is a front enlarged detail view of the top right side of the fan with stand shown in FIG. 1.
The broken lines in the drawings depict parts of the fan with stand that form no part of the claimed design.

(56) **References Cited**

U.S. PATENT DOCUMENTS

D169,007 S * 3/1953 Lindberg D23/378
D172,514 S * 6/1954 Podall D23/378
2,830,779 A * 4/1958 Wentling F04D 29/646
248/137

1 Claim, 10 Drawing Sheets



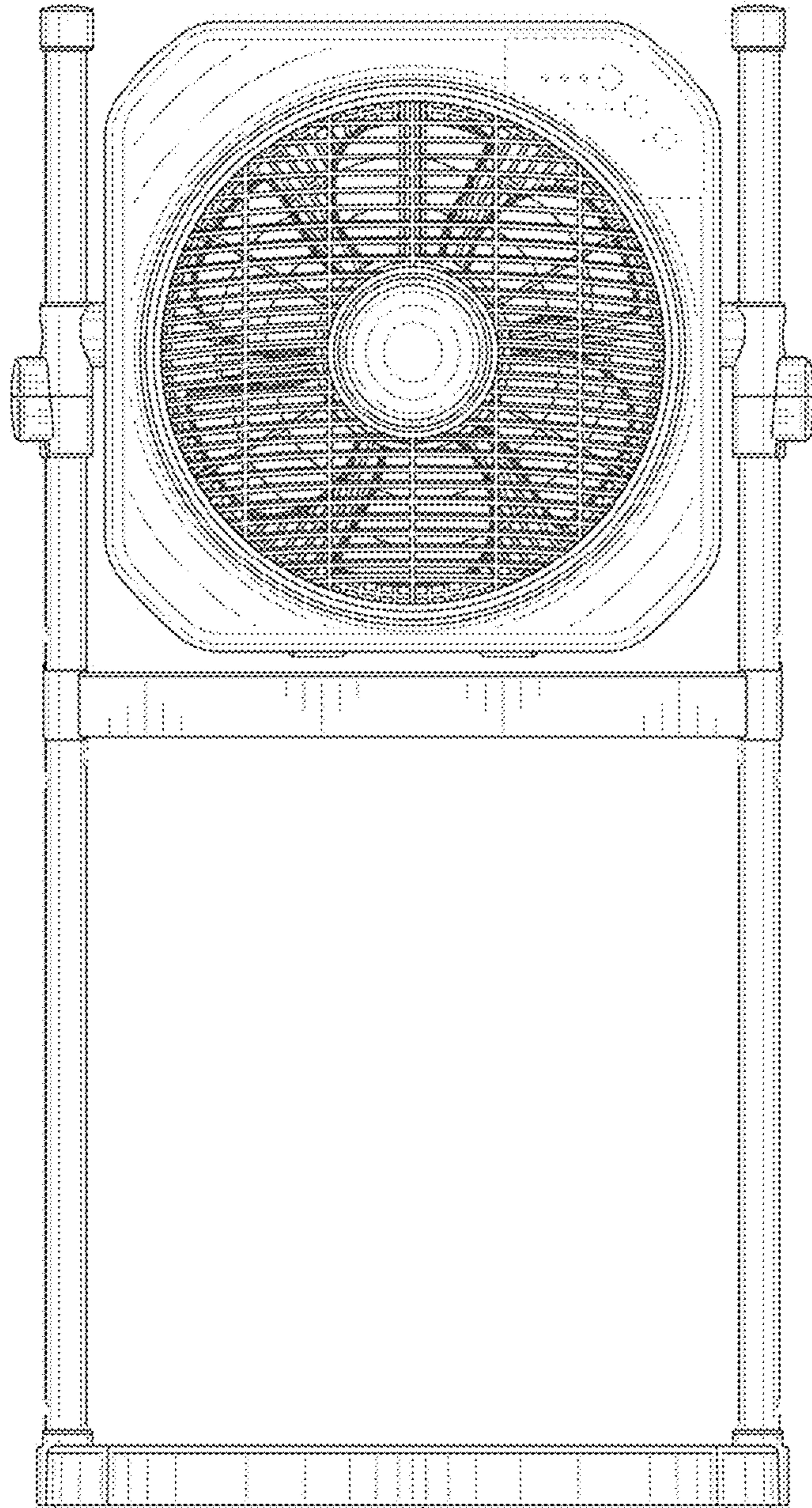


FIG. 1

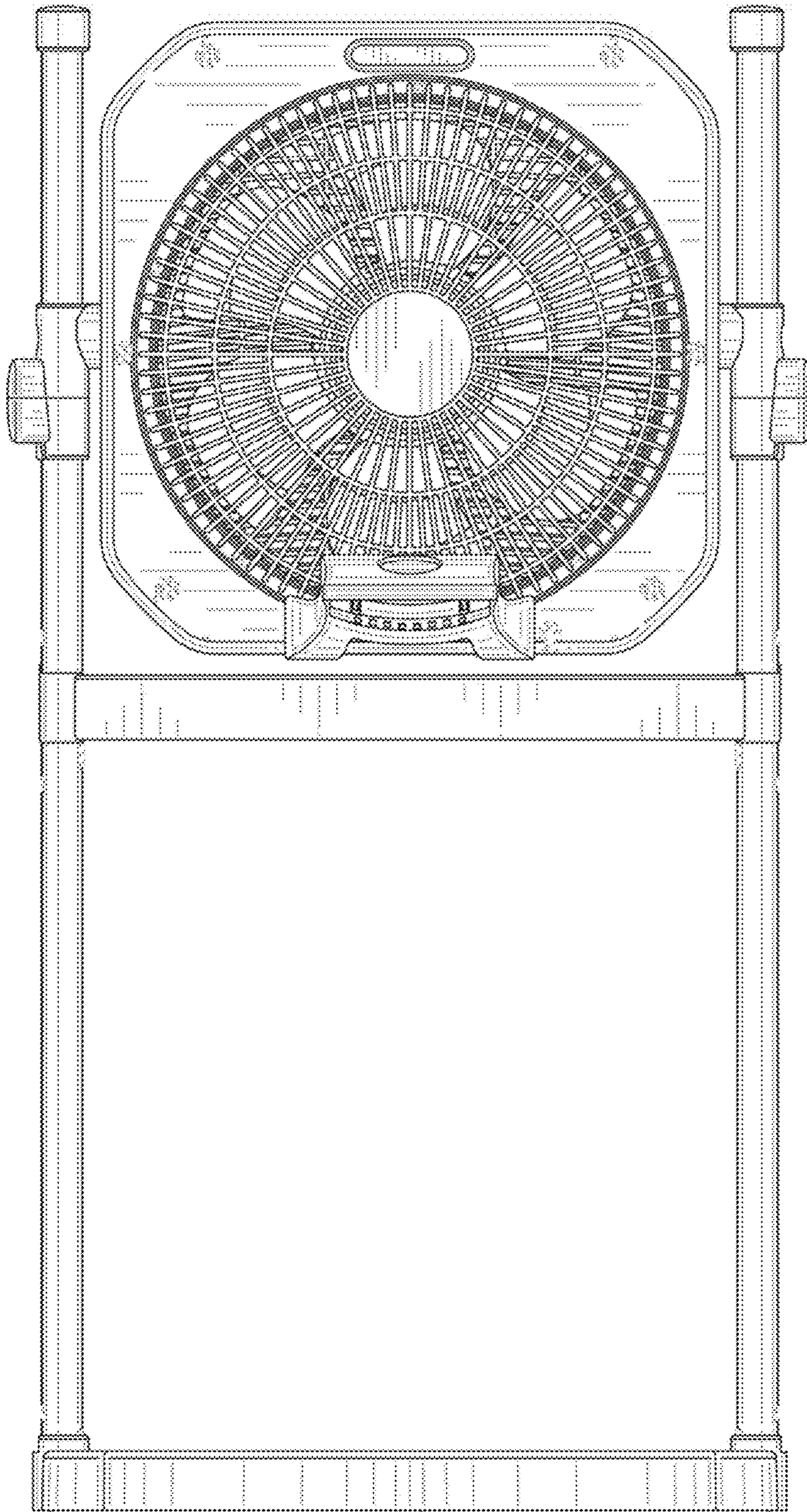


FIG. 2

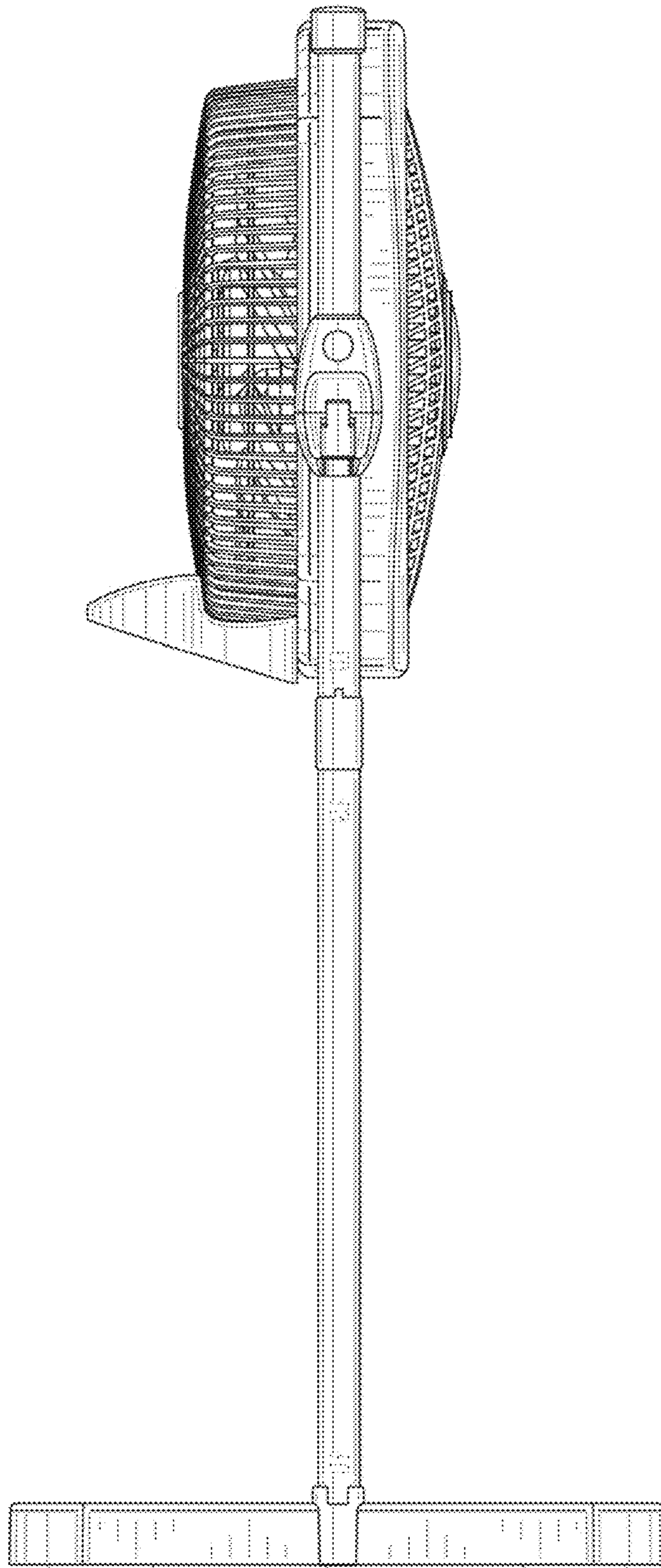


FIG. 3

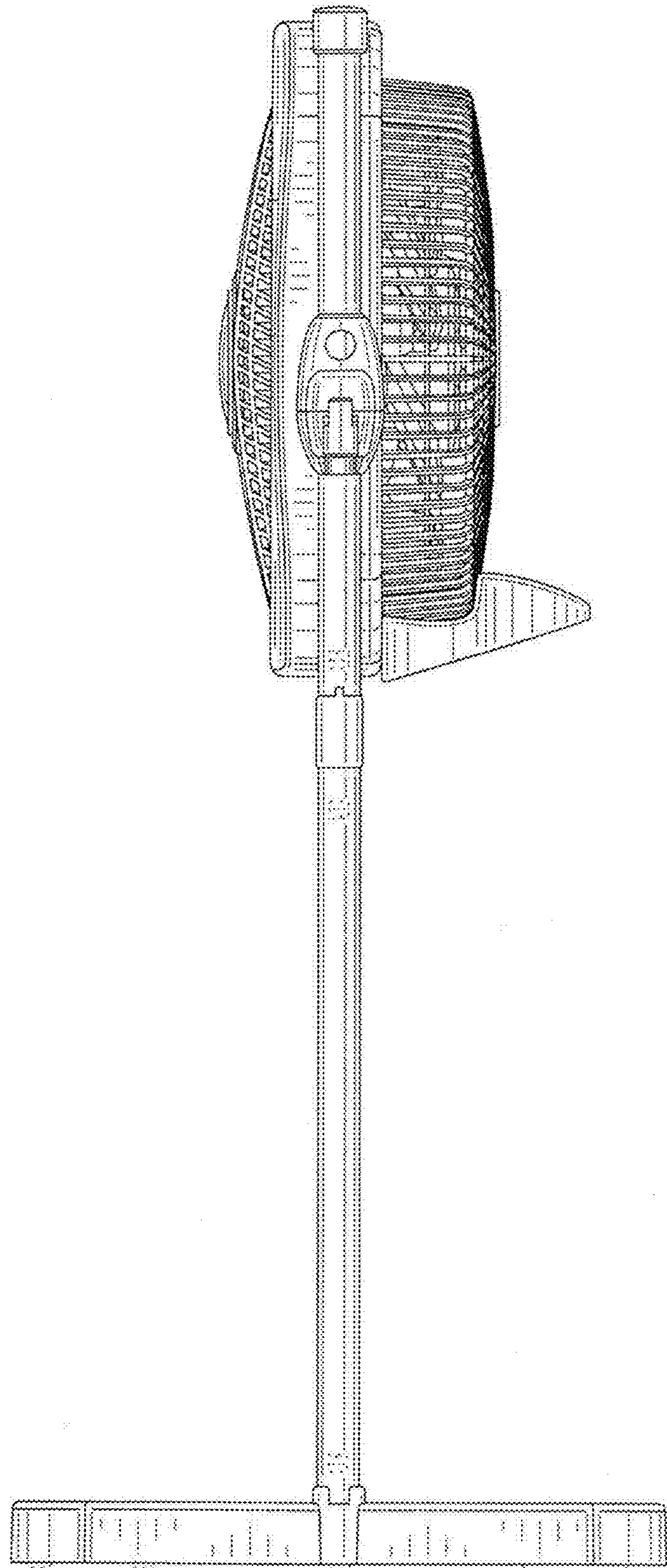


FIG. 4

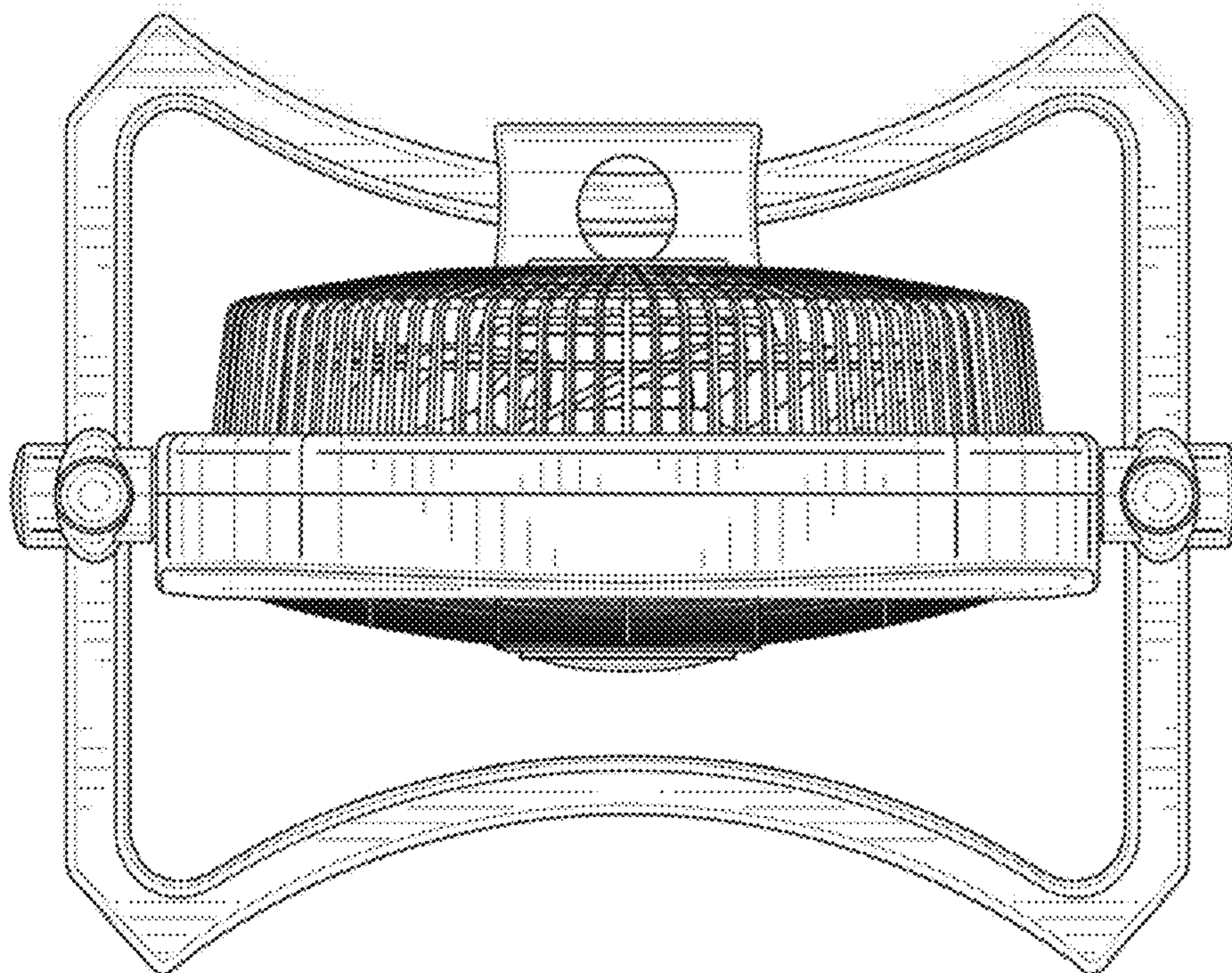


FIG. 5

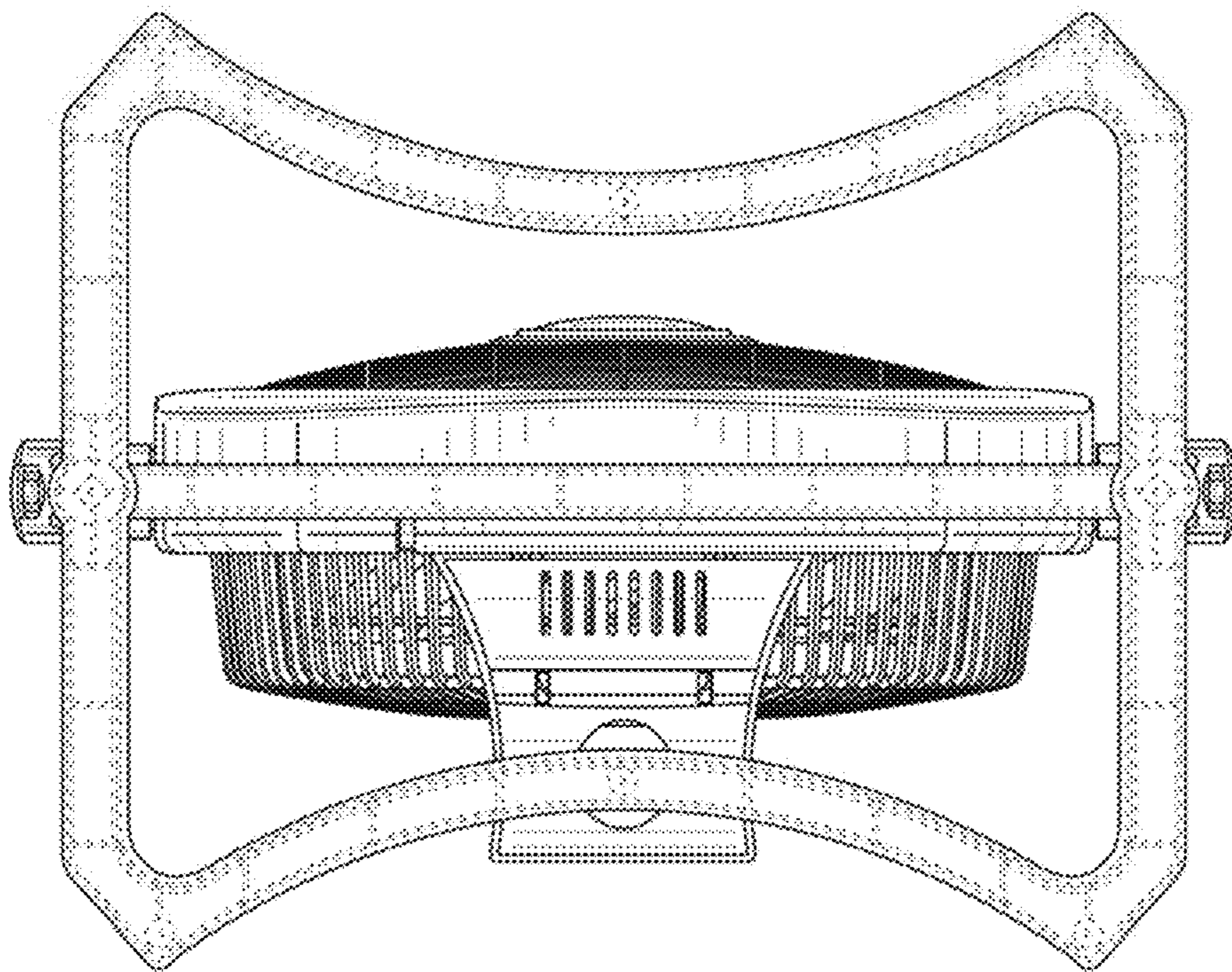


FIG. 6

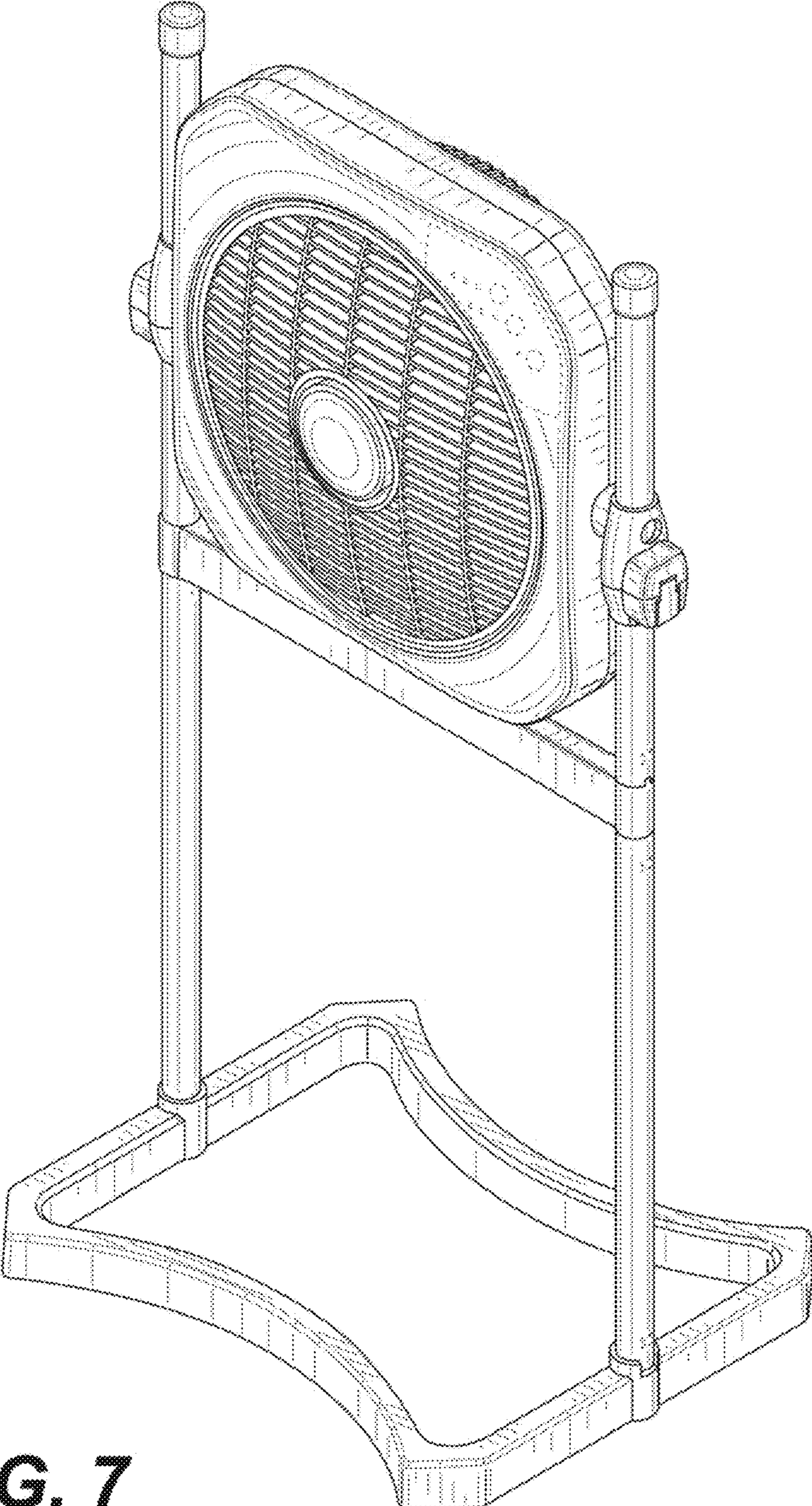


FIG. 7

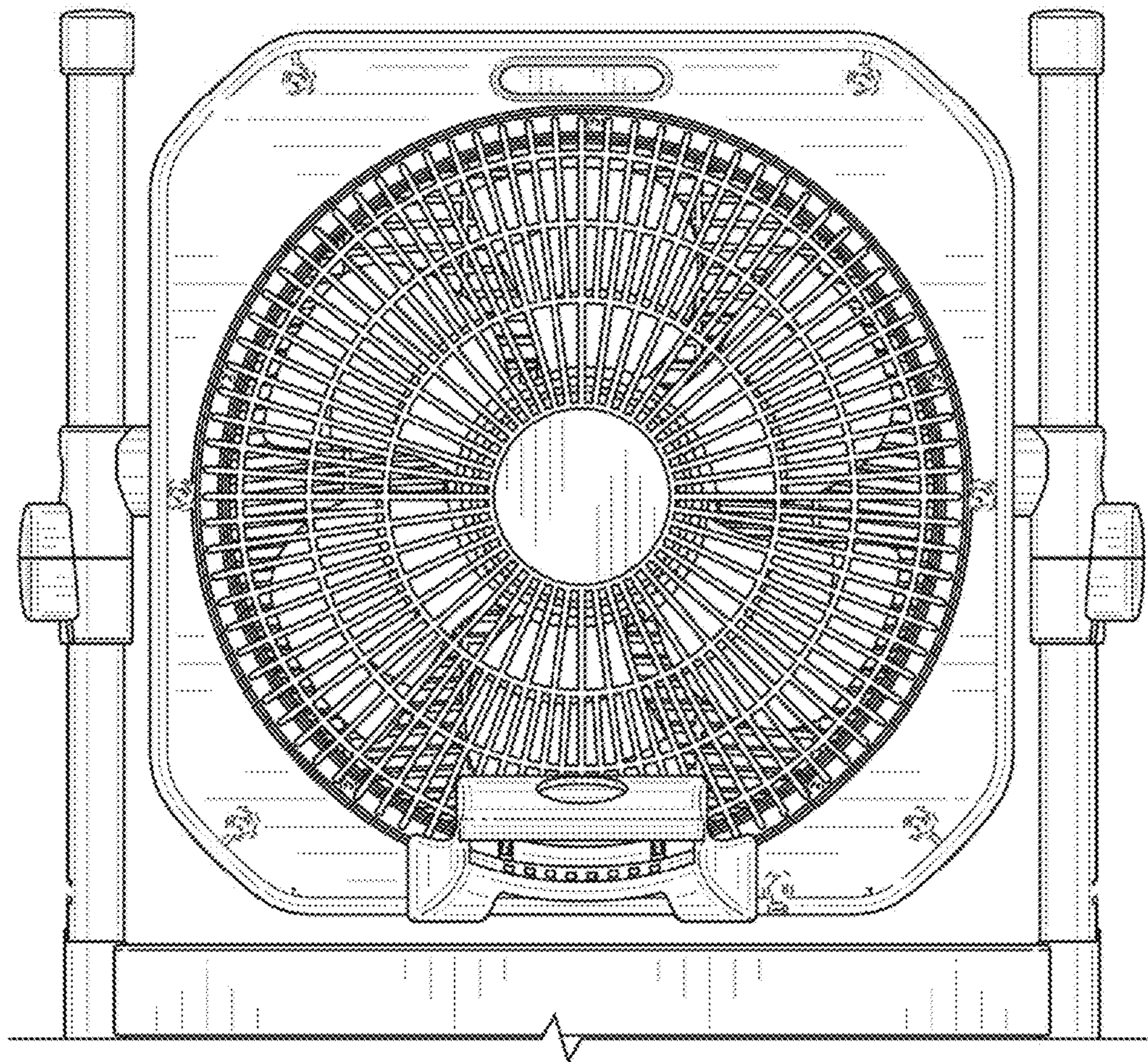


FIG. 8

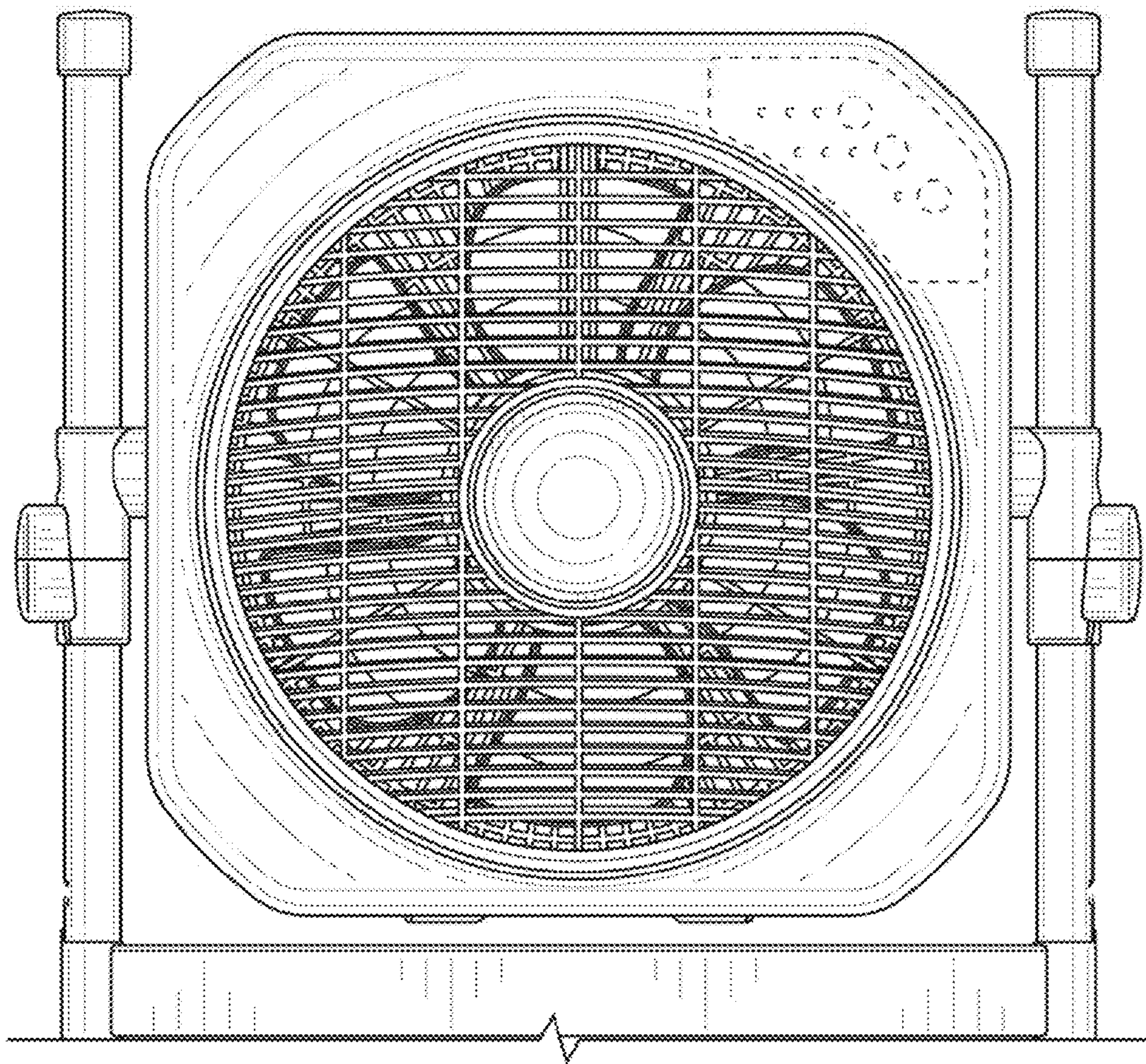


FIG. 9

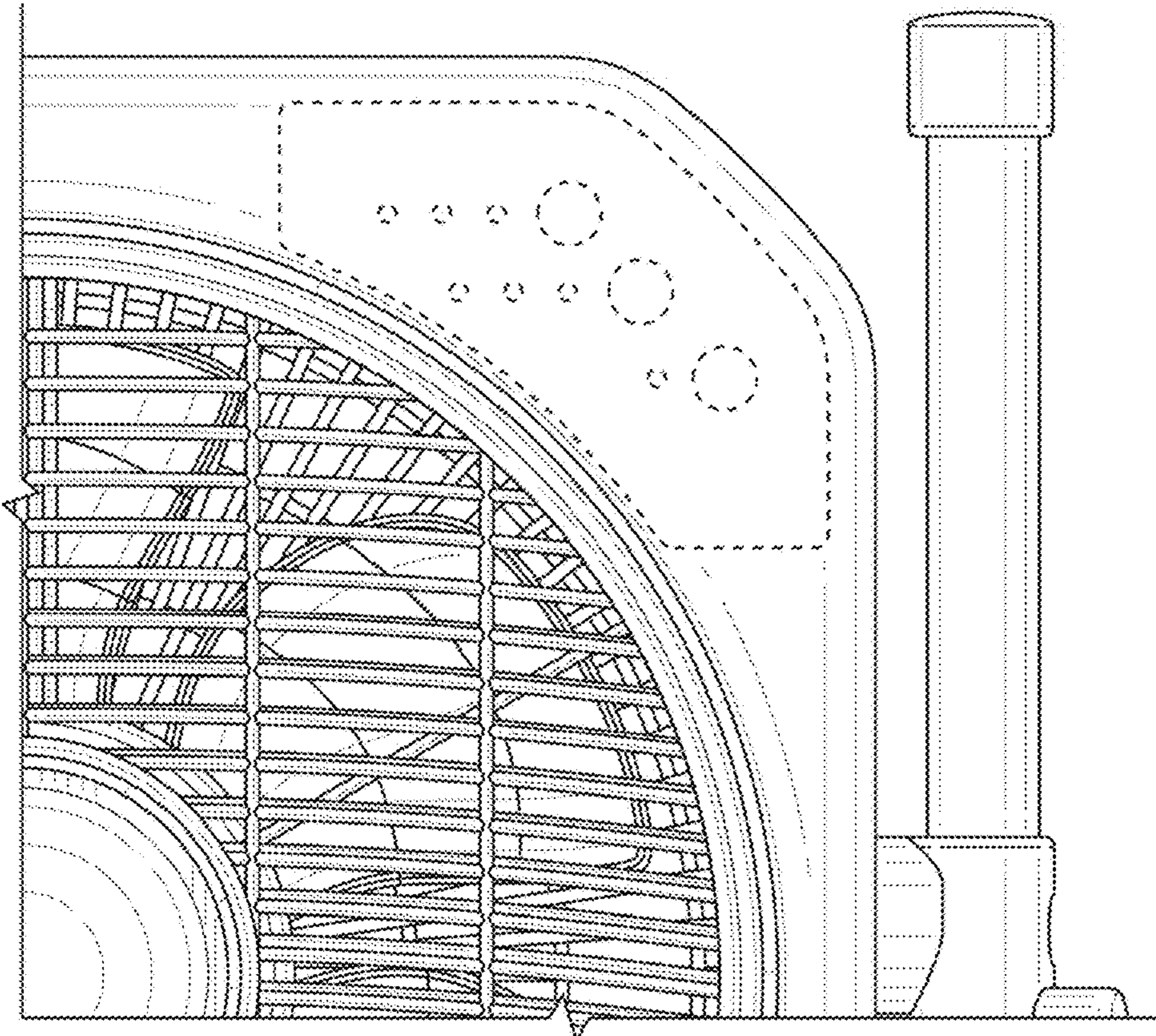


FIG. 10