



US00D799669S

(12) **United States Design Patent**  
**Wang**

(10) **Patent No.:** **US D799,669 S**

(45) **Date of Patent:** **\*\* Oct. 10, 2017**

(54) **CEILING FAN**

(71) Applicant: **AIR COOL INDUSTRIAL CO., LTD.**, Taichung (TW)

(72) Inventor: **Cliff Wang**, Taichung (TW)

(73) Assignee: **AIR COOL INDUSTRIAL CO., LTD.**, Taichung (TW)

(\*\*) Term: **15 Years**

(21) Appl. No.: **29/578,833**

(22) Filed: **Sep. 25, 2016**

(51) **LOC (10) Cl.** ..... **23-04**

(52) **U.S. Cl.**  
USPC ..... **D23/377; D23/385**

(58) **Field of Classification Search**  
USPC ..... D23/370, 371, 373, 377-382, 385-388,  
D23/411, 412; D26/59; D12/214  
CPC .... F04D 25/088; F04D 29/005; F04D 29/601;  
F04D 29/324; F21V 33/0096; F21V  
33/0092; F24F 13/078  
See application file for complete search history.

(56) **References Cited**

**U.S. PATENT DOCUMENTS**

D117,860 S \* 11/1939 Upson ..... 416/244 R  
2,222,118 A \* 11/1940 Newnham ..... B63H 1/20  
416/214 R

D180,777 S \* 8/1957 Ganger ..... D23/413  
D189,300 S \* 11/1960 McLean ..... D23/413  
D284,304 S \* 6/1986 Harber ..... 416/5  
D442,906 S \* 5/2001 Prokop ..... D12/214  
D625,403 S \* 10/2010 Liu ..... D23/377  
D629,501 S \* 12/2010 Liu ..... D23/377  
D677,611 S \* 3/2013 Janecke ..... D12/214  
D708,315 S \* 7/2014 Wang ..... D23/377

\* cited by examiner

*Primary Examiner* — Janice Hallmark

(74) *Attorney, Agent, or Firm* — Pai Patent & Trademark Law Firm; Chao-Chang David Pai

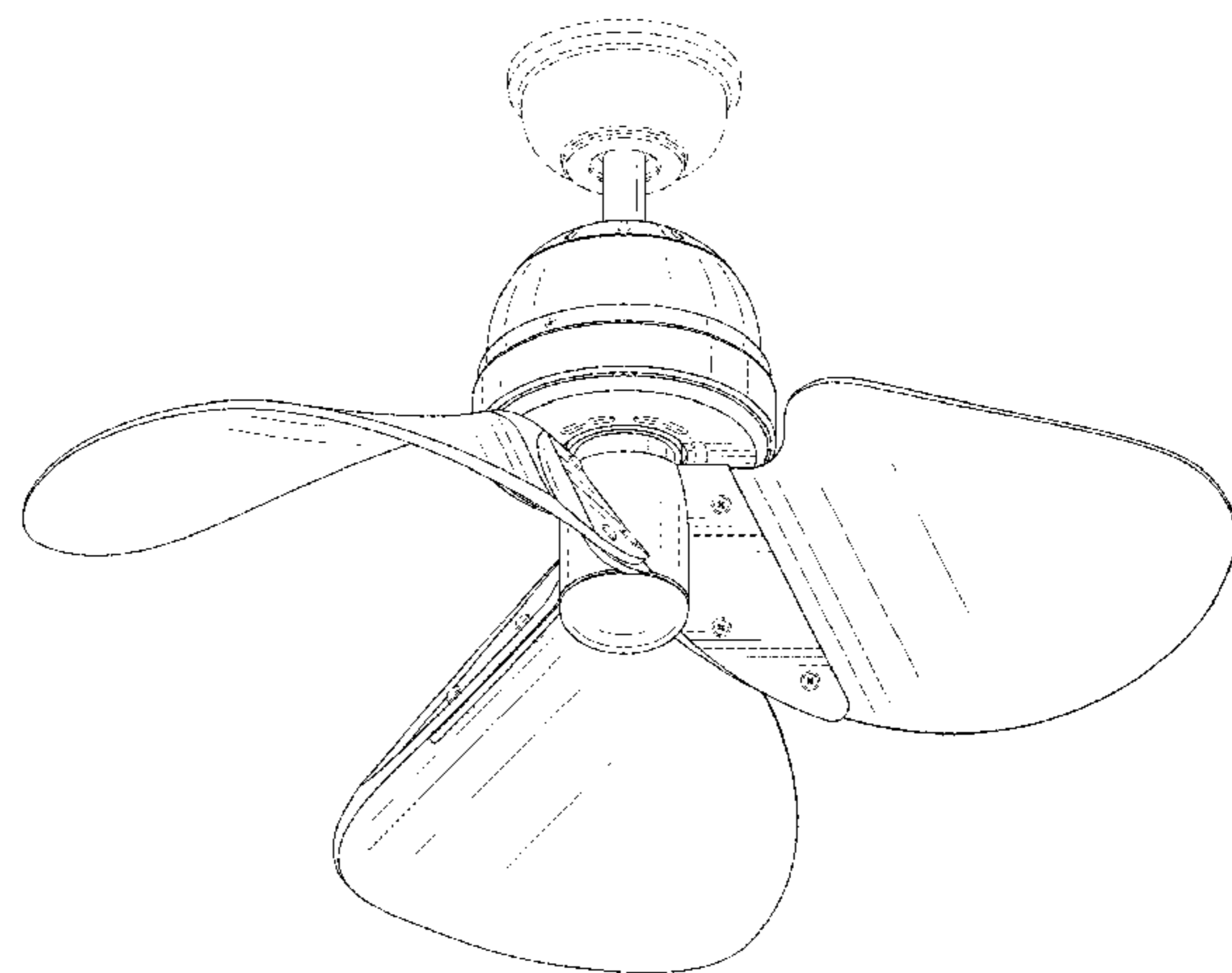
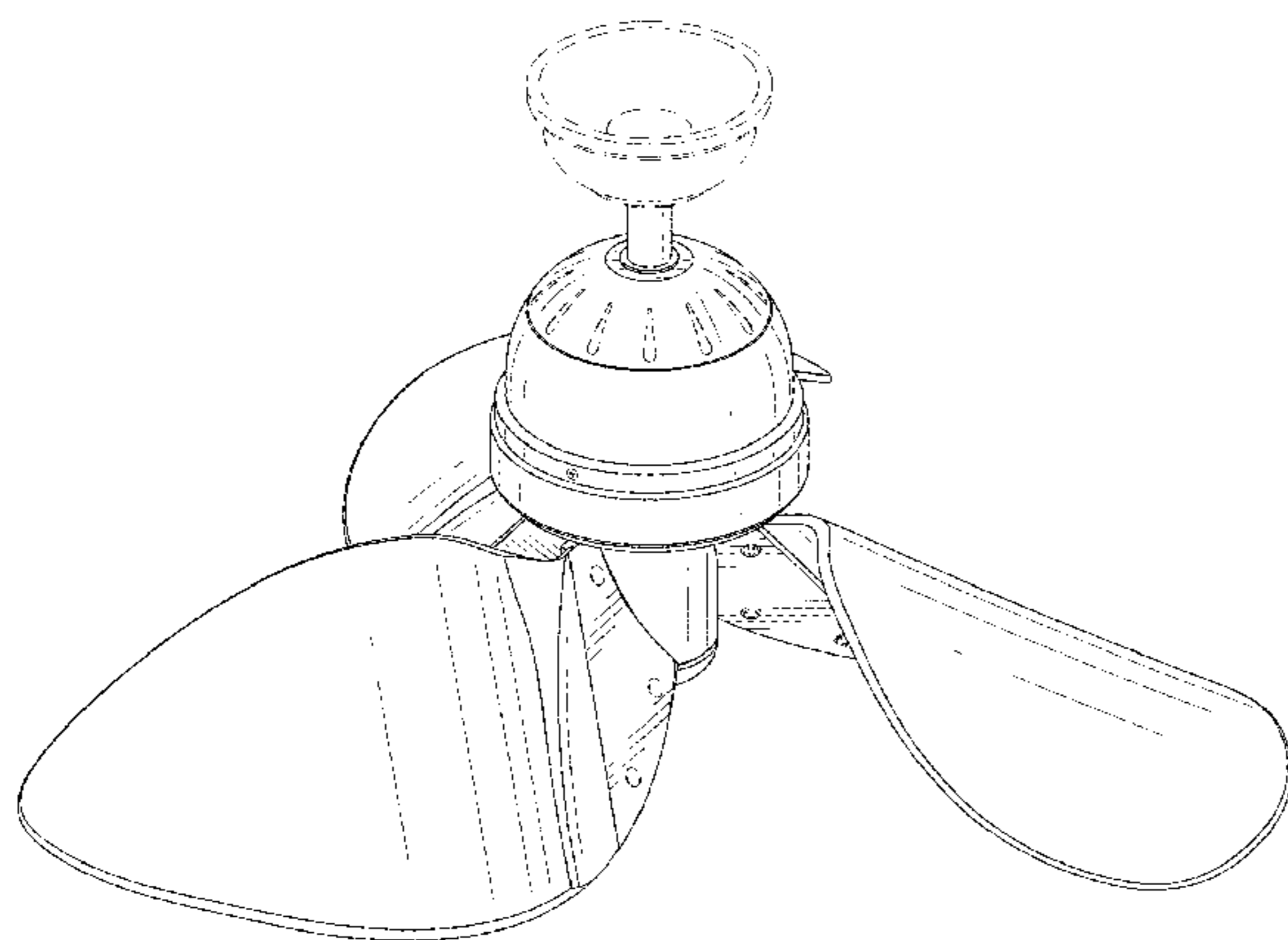
(57) **CLAIM**

The ornamental design for a ceiling fan, as shown and described.

**DESCRIPTION**

FIG. 1 is a front top perspective view of a ceiling fan showing my new design;  
FIG. 2 is a front elevational view thereof;  
FIG. 3 is a rear elevational view thereof;  
FIG. 4 is a left side elevational view thereof;  
FIG. 5 is a right side elevational view thereof;  
FIG. 6 is a top plan view thereof;  
FIG. 7 is a bottom plan view thereof; and,  
FIG. 8 is a front bottom perspective view thereof.  
The broken lines are for the purpose of illustrating environmental structure and form no part of the claimed design.

**1 Claim, 6 Drawing Sheets**



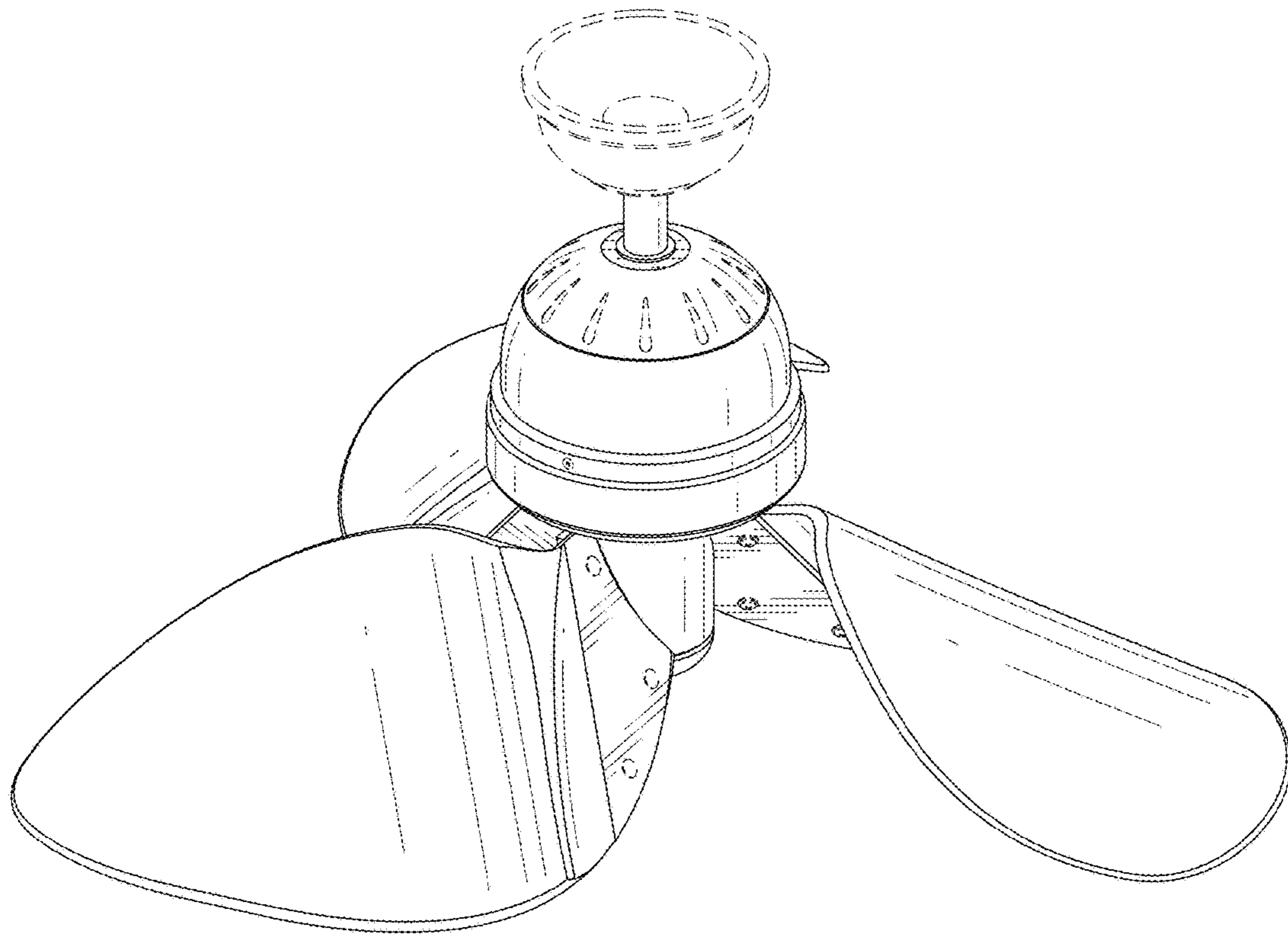


FIG. 1

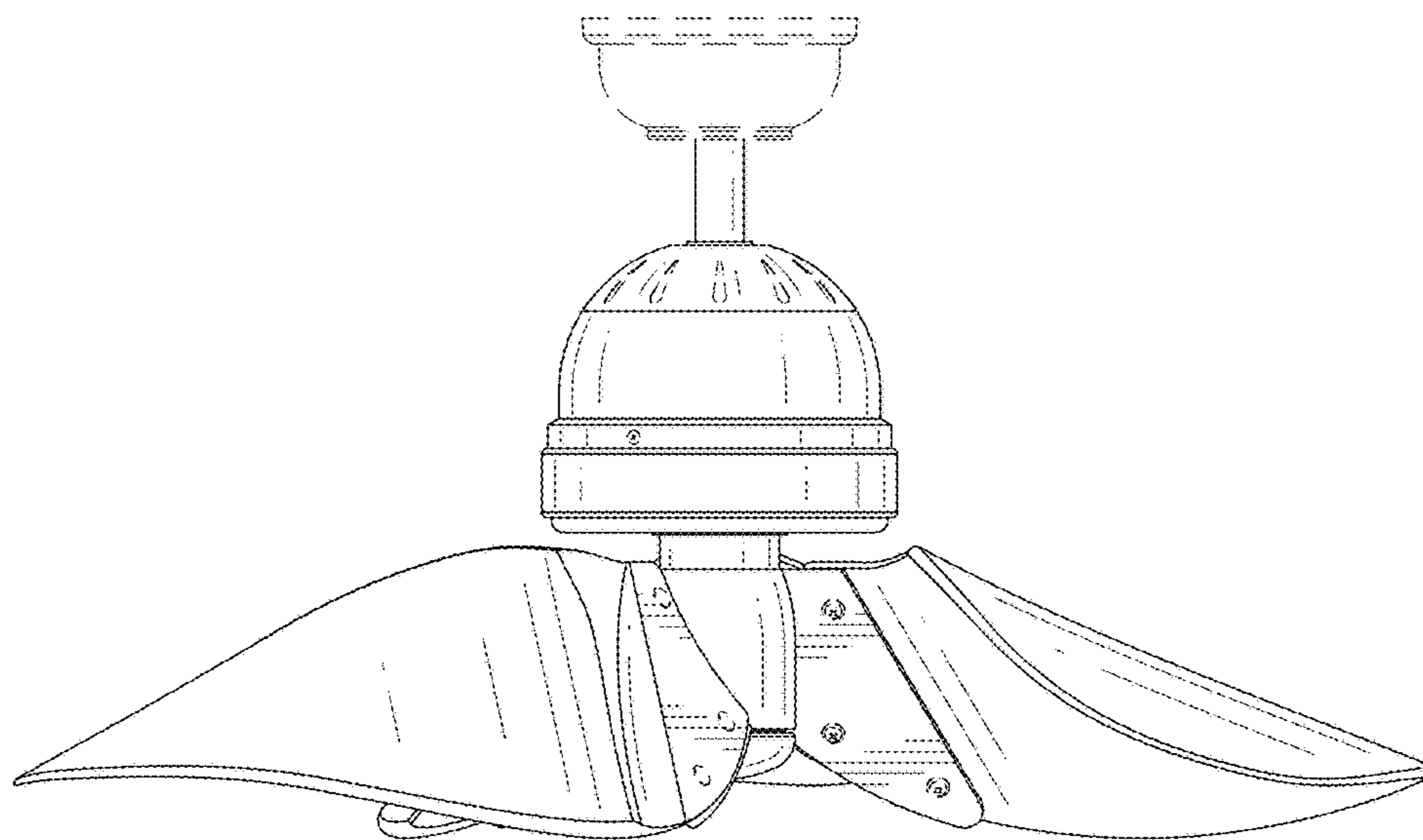


FIG. 2

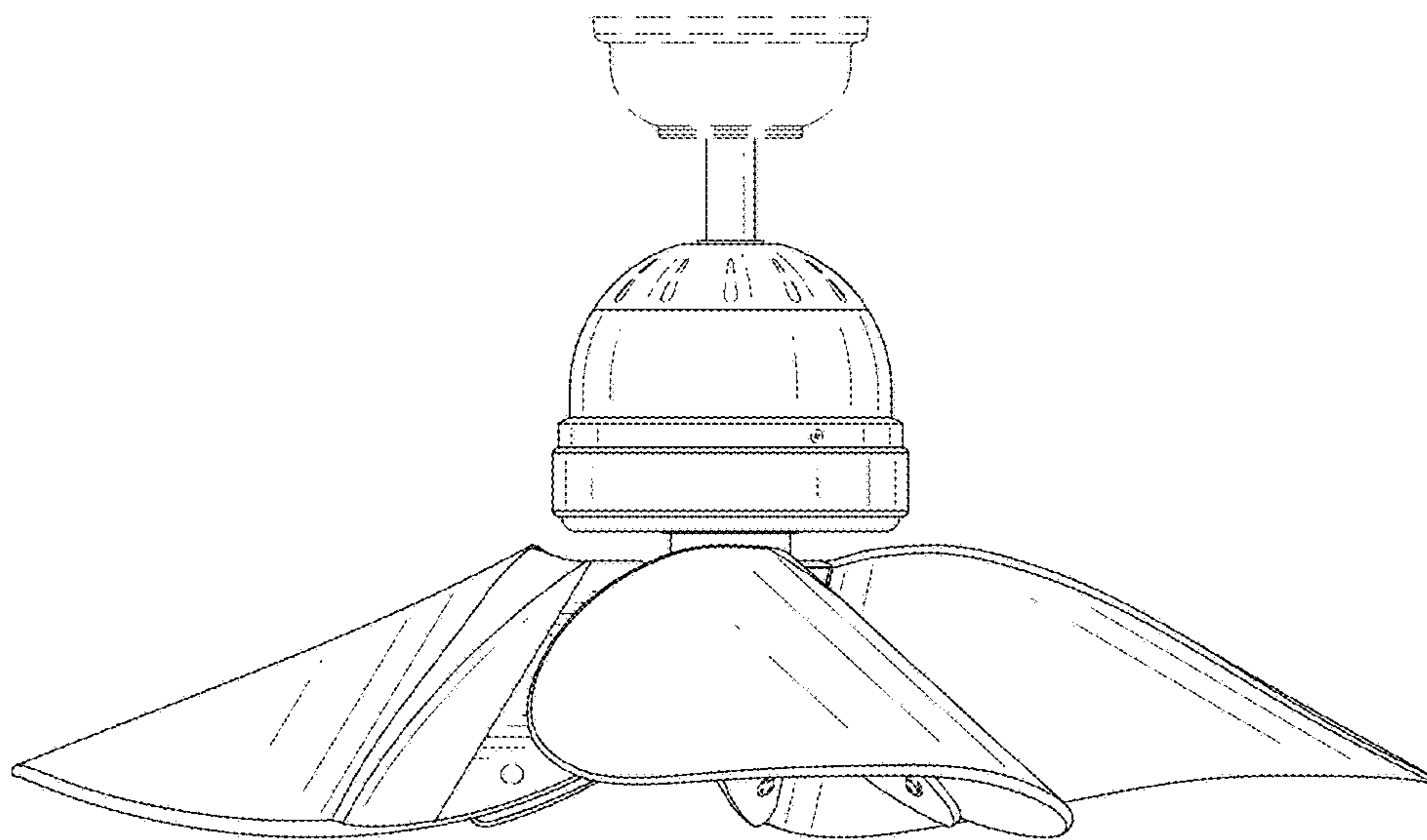


FIG. 3

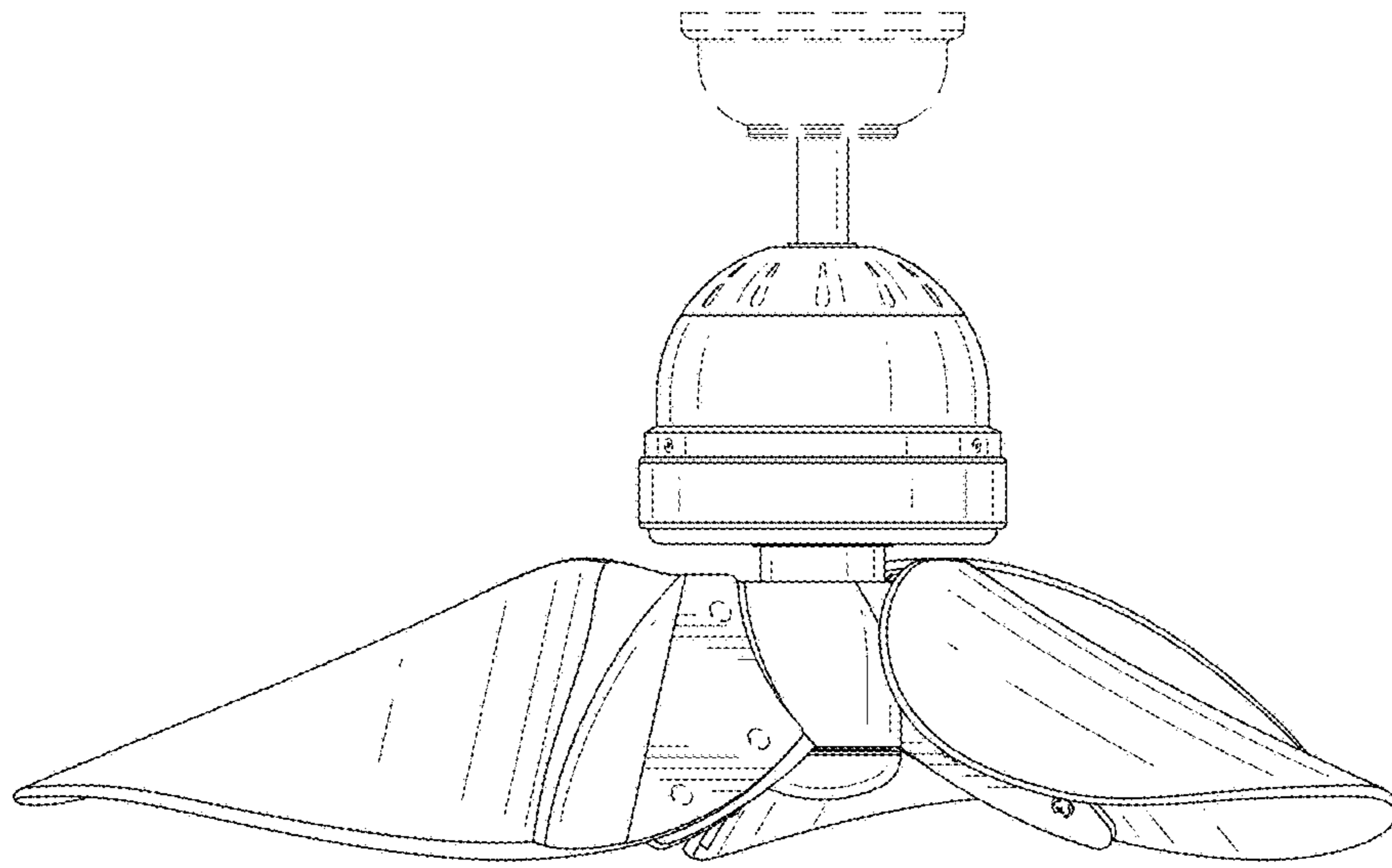


FIG. 4

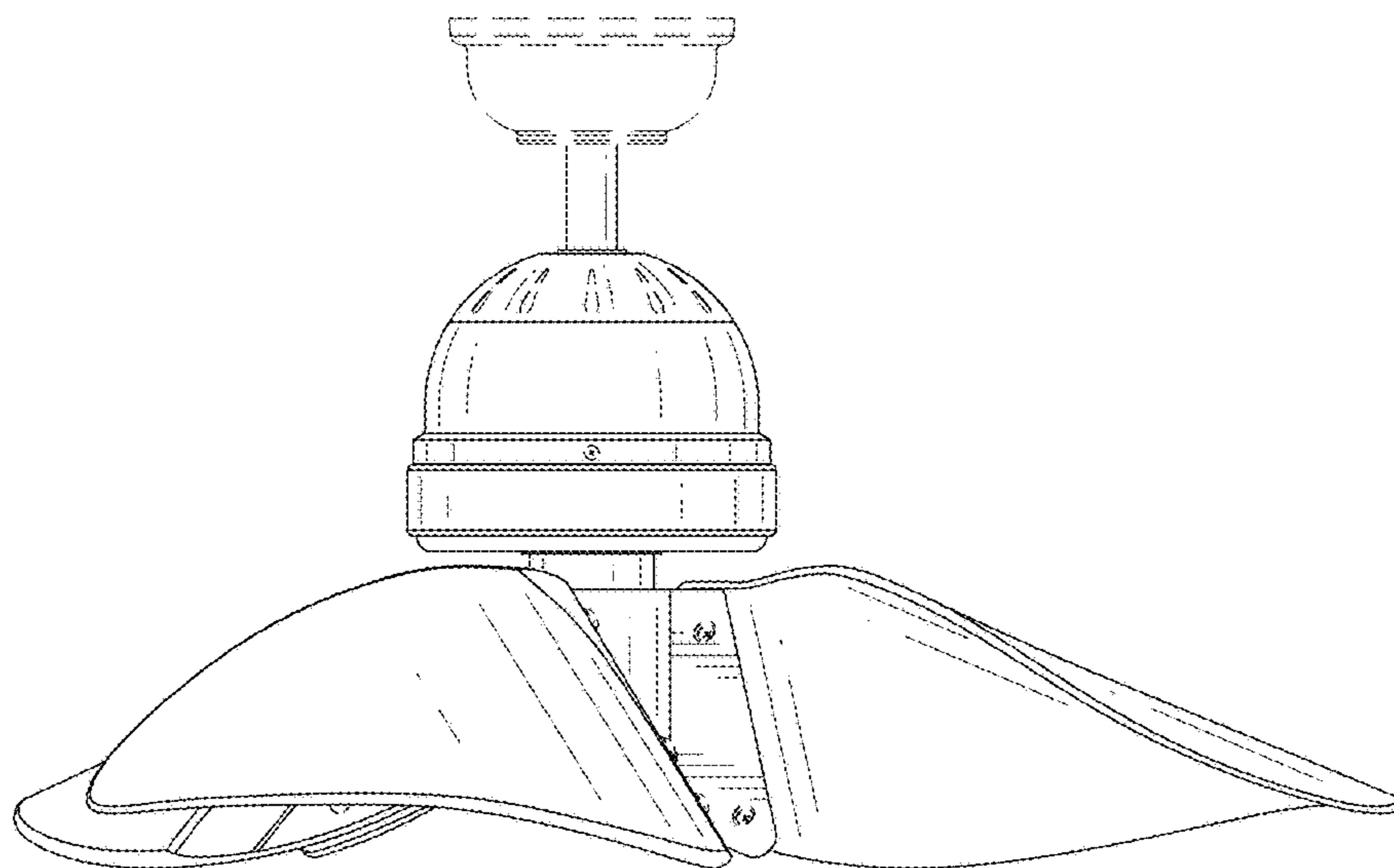


FIG. 5

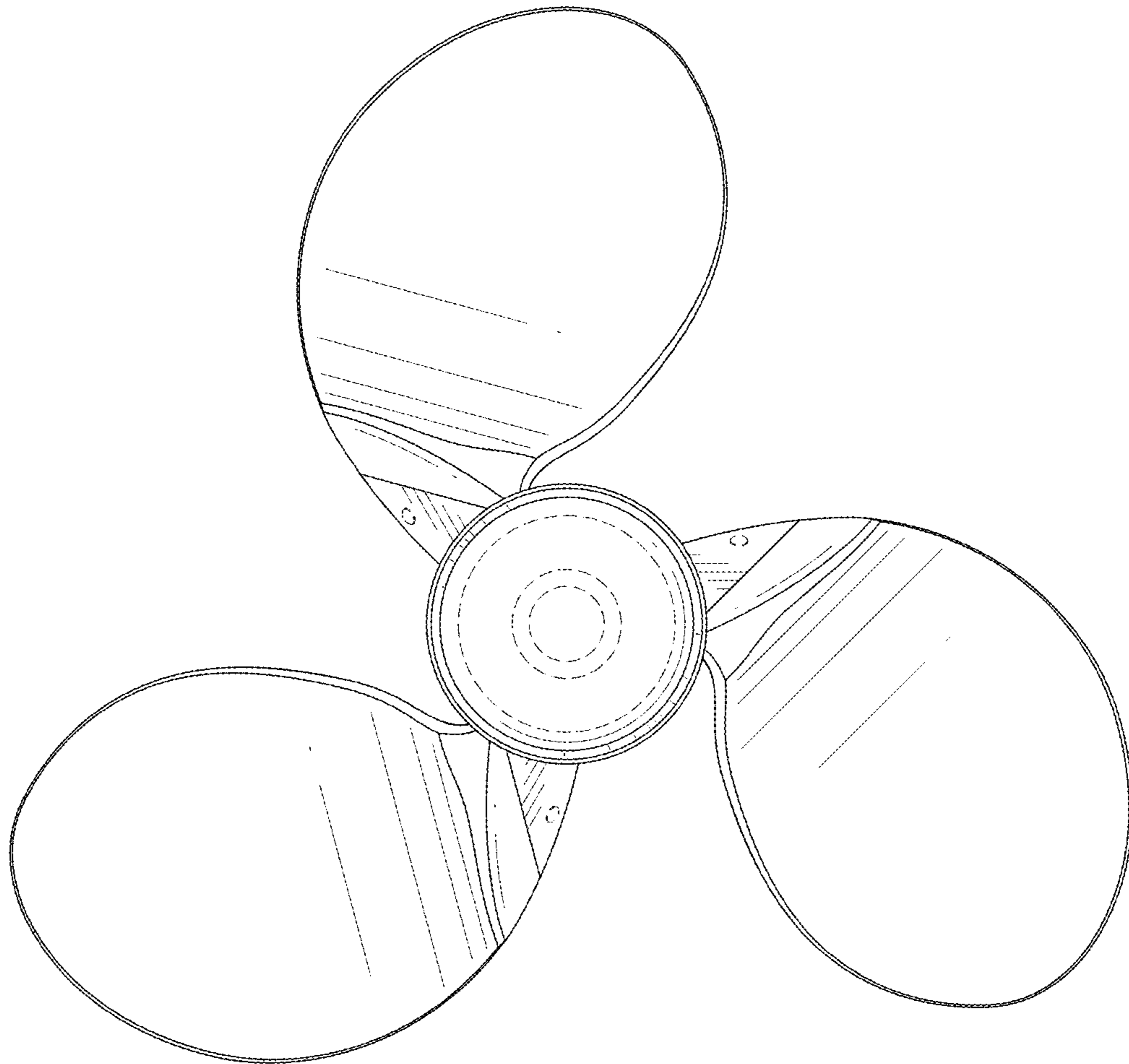


FIG. 6

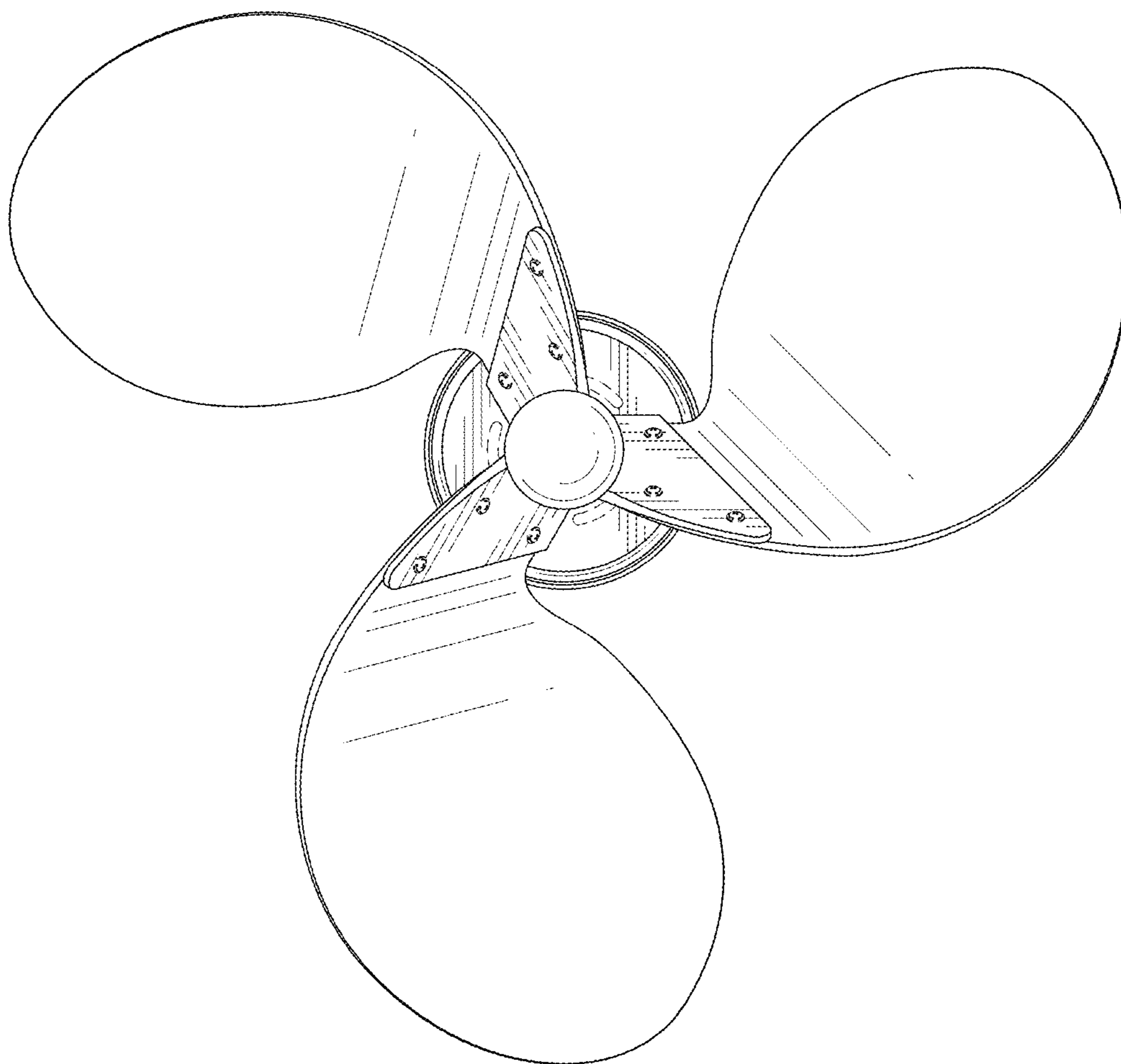


FIG. 7

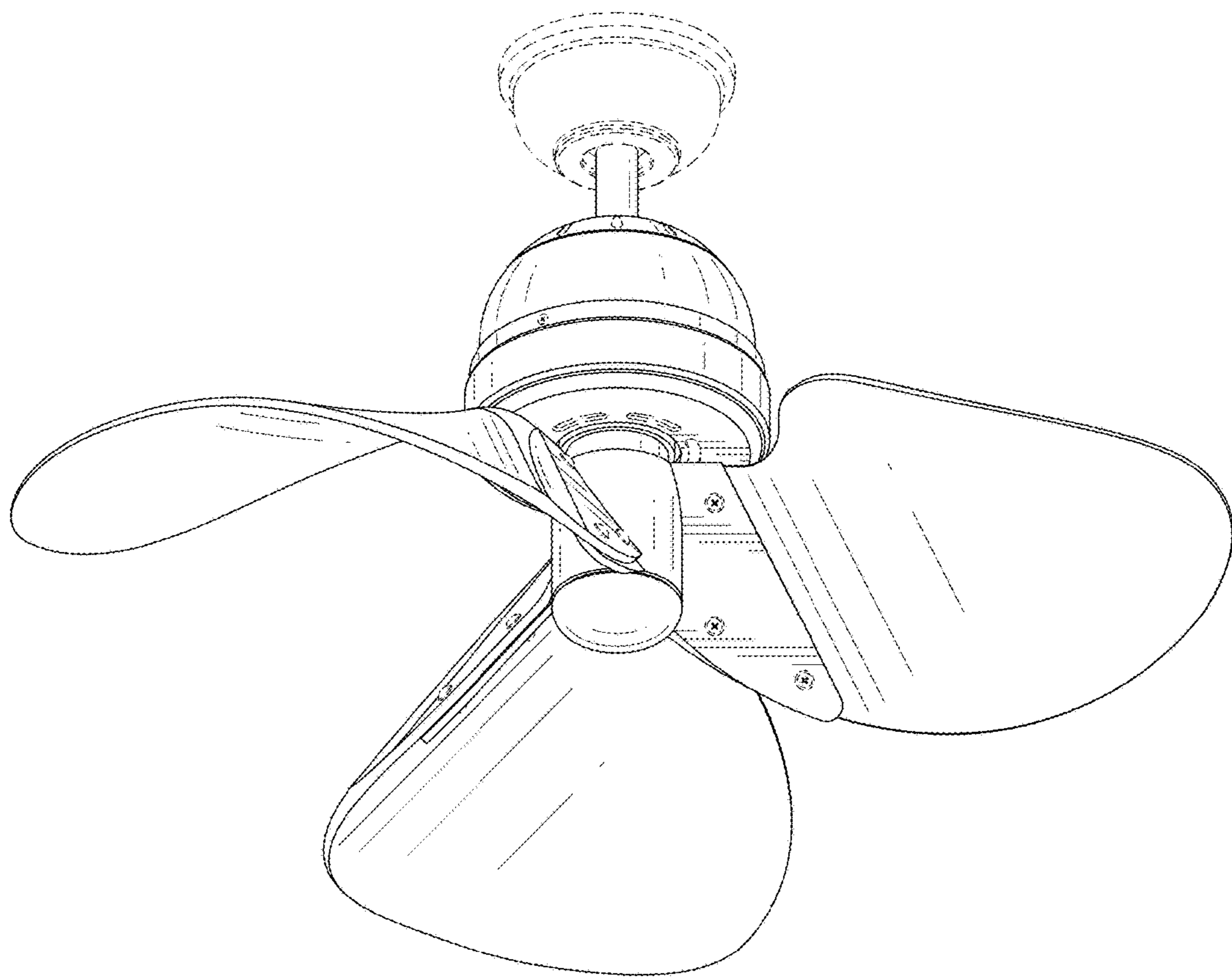


FIG. 8