



US00D799668S

(12) **United States Design Patent** (10) **Patent No.:** **US D799,668 S**  
**Wang** (45) **Date of Patent:** **\*\* Oct. 10, 2017**

- (54) **CEILING FAN**
- (71) Applicant: **AIR COOL INDUSTRIAL CO., LTD.**, Taichung (TW)
- (72) Inventor: **Cliff Wang**, Taichung (TW)
- (73) Assignee: **AIR COOL INDUSTRIAL CO., LTD.**, Taichung (TW)
- (\*\*) Term: **15 Years**
- (21) Appl. No.: **29/578,832**
- (22) Filed: **Sep. 25, 2016**
- (51) **LOC (10) Cl.** ..... **23-04**
- (52) **U.S. Cl.**  
USPC ..... **D23/377; D23/385**
- (58) **Field of Classification Search**  
USPC ..... D23/370, 377, 379, 381, 382, 385, 411, D23/413, 414, 332, 328; D26/59  
CPC ..... F04D 25/08; F04D 29/388; F04D 29/34; F04D 25/088; H02K 1/187  
See application file for complete search history.

D710,489 S *	8/2014	Shurtleff	.....	D23/377
D715,917 S *	10/2014	Hidalgo	.....	D23/377
D717,935 S *	11/2014	Strecker	.....	D23/377
D762,836 S *	8/2016	Schulzman	.....	D23/377
D778,422 S *	2/2017	Gajewski	.....	D23/377
D785,155 S *	4/2017	Wang	.....	D23/377
2010/0278637 A1 *	11/2010	Oleson	.....	F04D 25/088 415/121.3

\* cited by examiner

*Primary Examiner* — Janice Hallmark

(74) *Attorney, Agent, or Firm* — Pai Patent & Trademark Law Firm; Chao-Chang David Pai

(57) **CLAIM**

The ornamental design for a ceiling fan, as shown and described.

**DESCRIPTION**

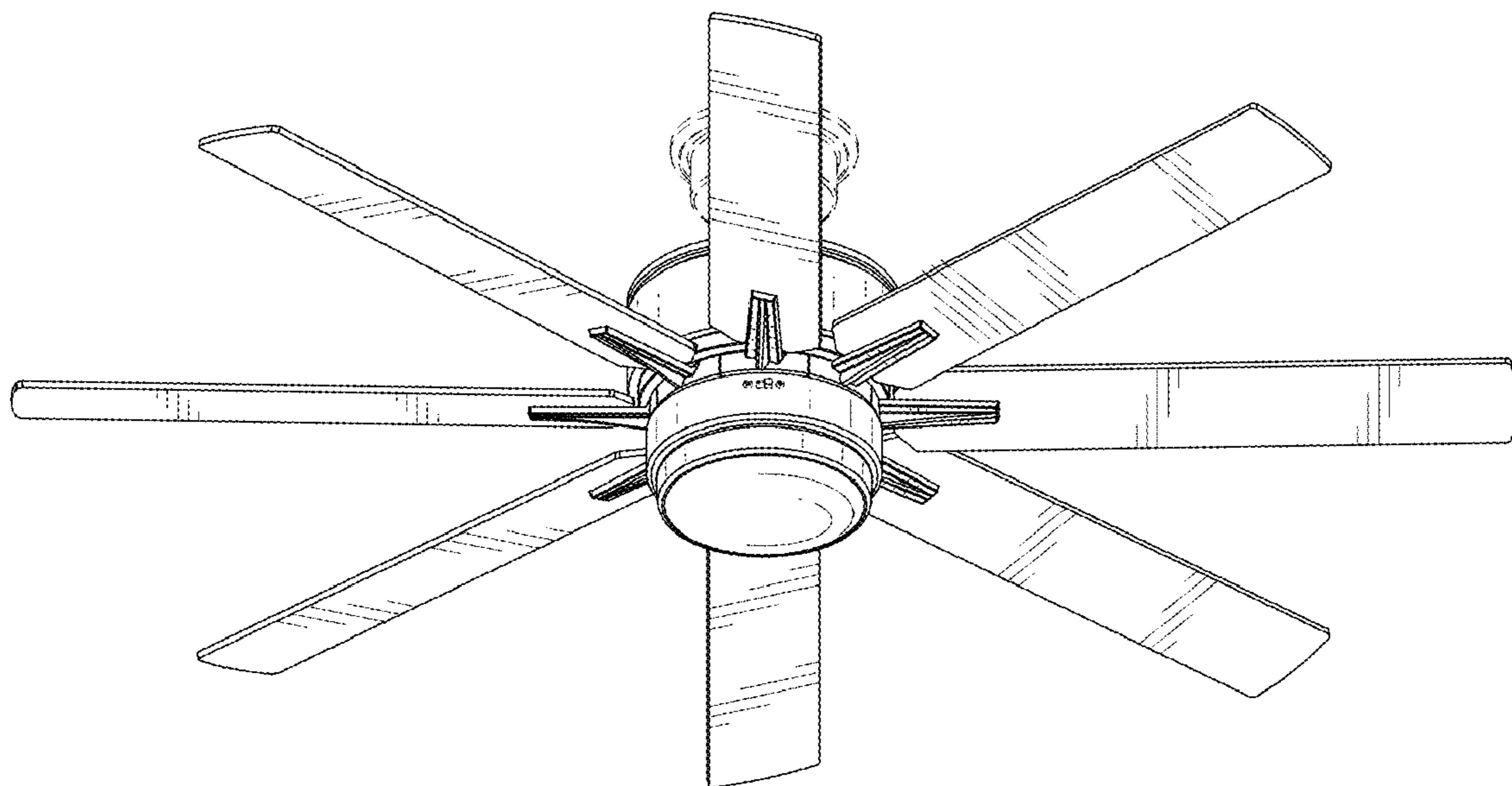
FIG. 1 is a front top perspective view of a ceiling fan showing my new design;  
 FIG. 2 is a front elevational view thereof;  
 FIG. 3 is a rear elevational view thereof;  
 FIG. 4 is a left side elevational view thereof;  
 FIG. 5 is a right side elevational view thereof;  
 FIG. 6 is a top plan view thereof;  
 FIG. 7 is a bottom plan view thereof; and,  
 FIG. 8 is a front bottom perspective view thereof.  
 The broken lines are for the purpose of illustrating environmental structure and form no part of the claimed design.

**1 Claim, 6 Drawing Sheets**

(56) **References Cited**

**U.S. PATENT DOCUMENTS**

D609,799 S *	2/2010	Lee	.....	D23/377
D628,688 S *	12/2010	Pan	.....	D23/377
D663,829 S *	7/2012	Allen	.....	D23/377



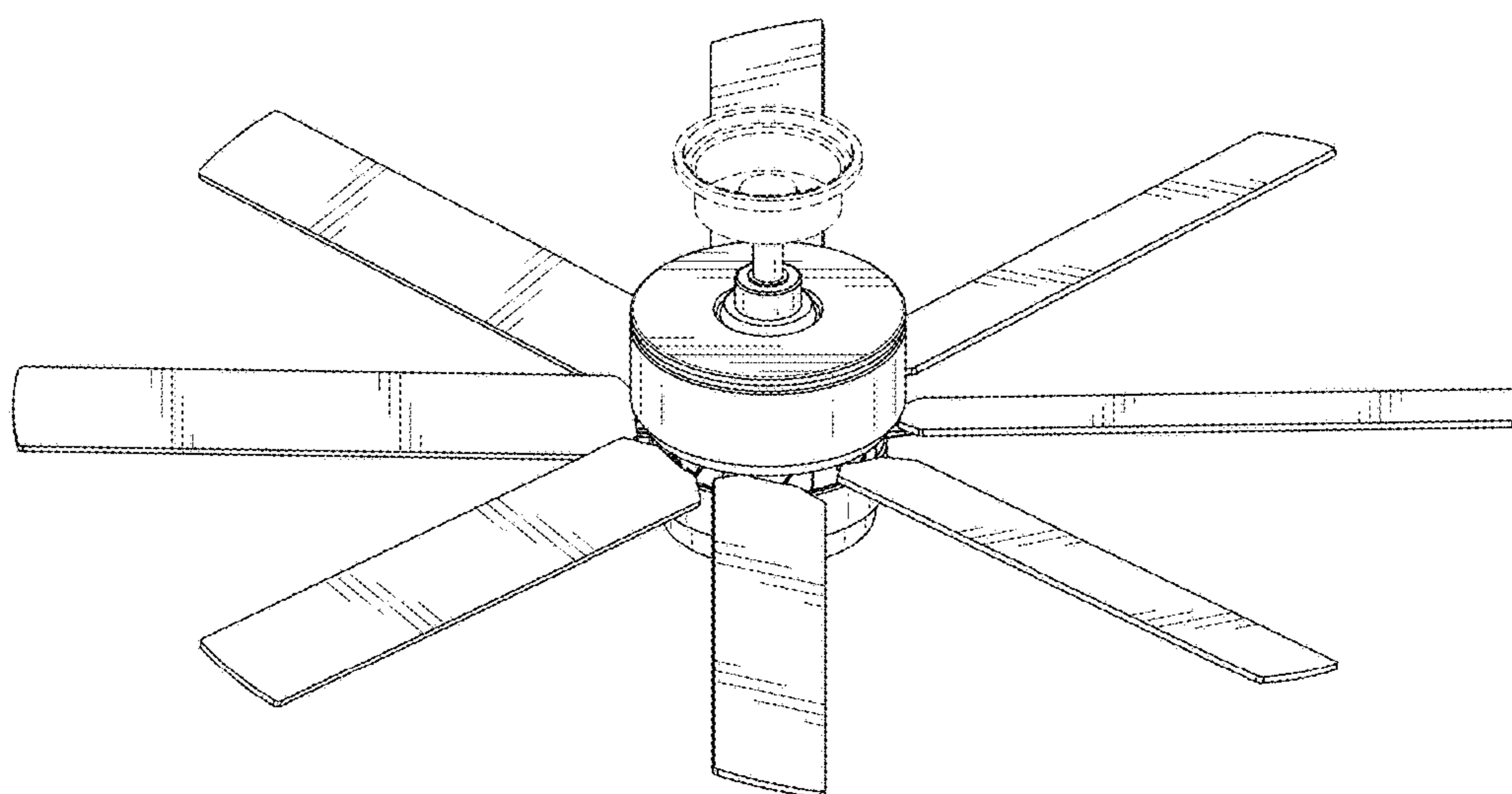


FIG. 1

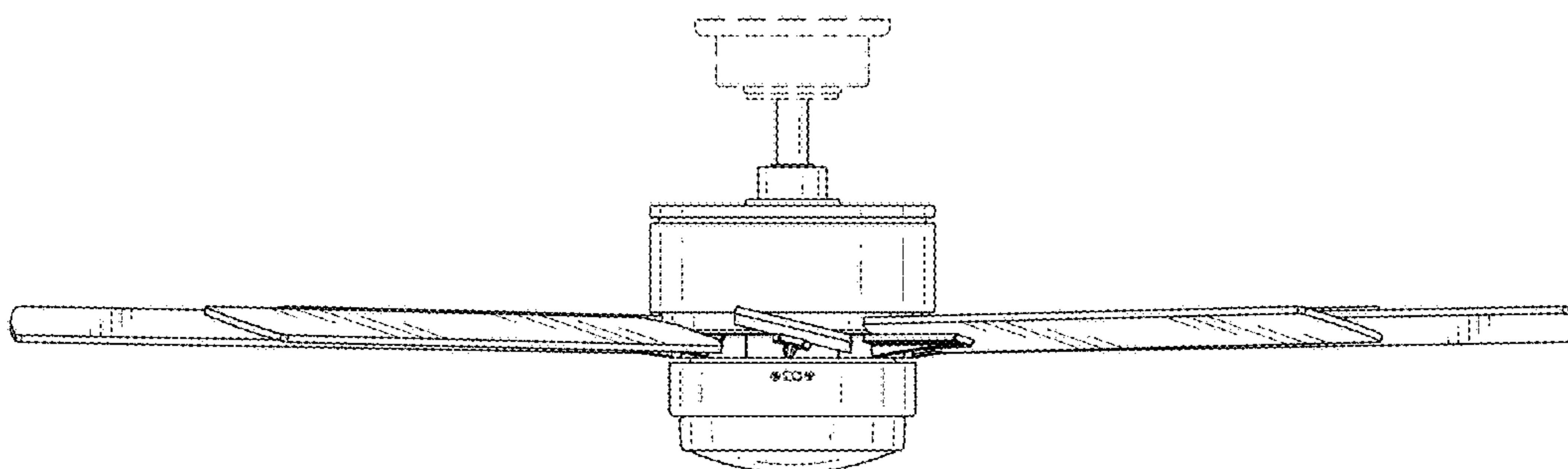


FIG. 2

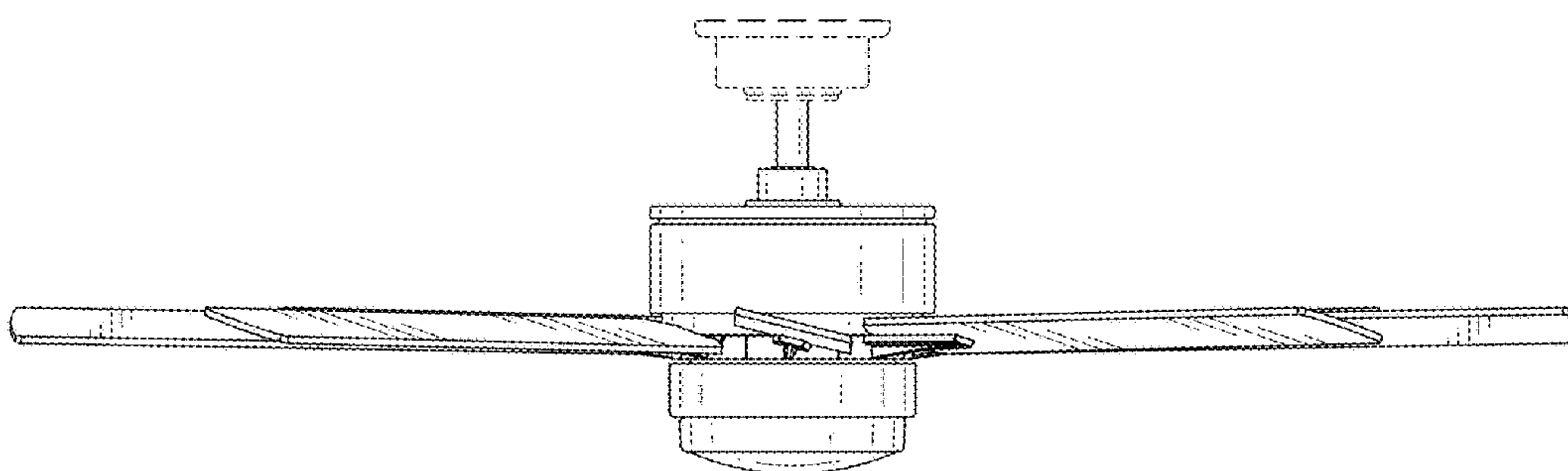


FIG. 3

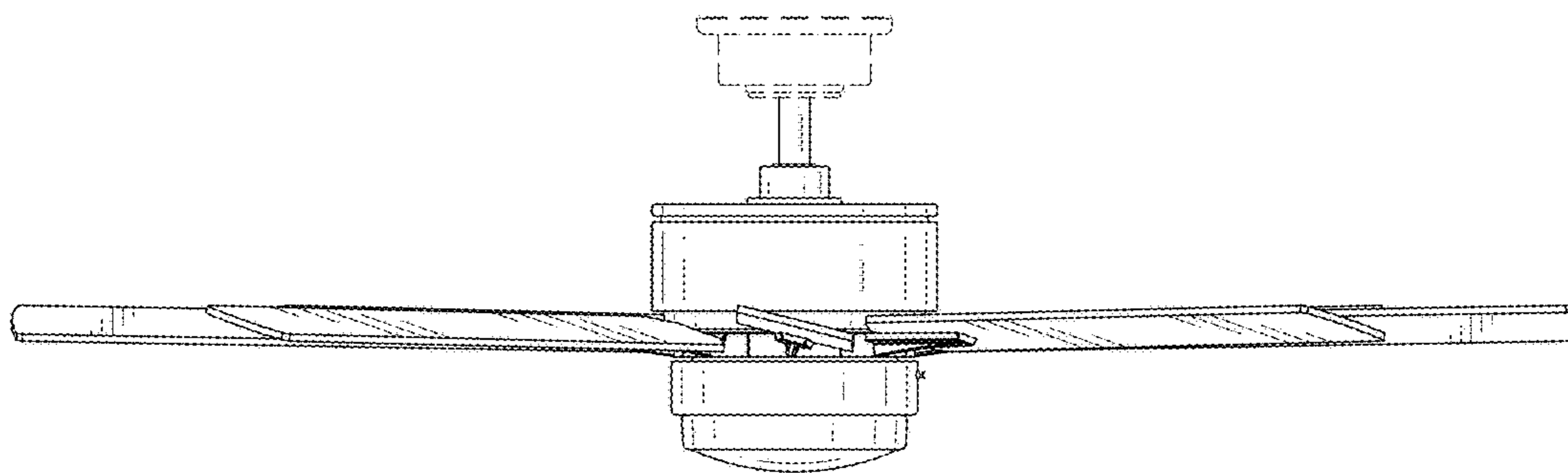


FIG. 4

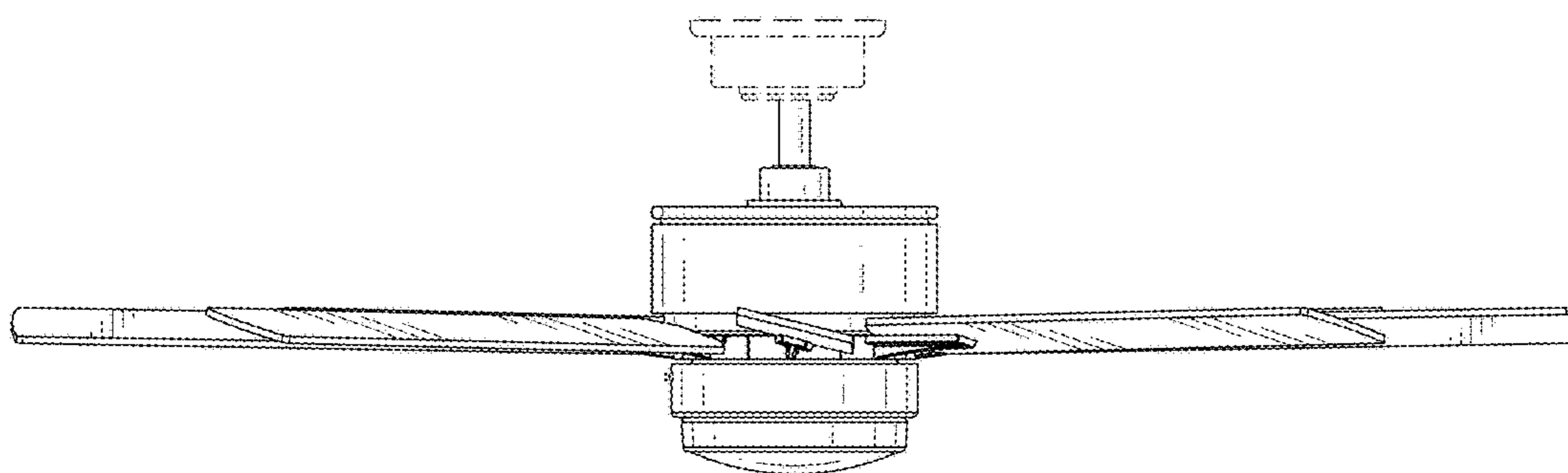


FIG. 5

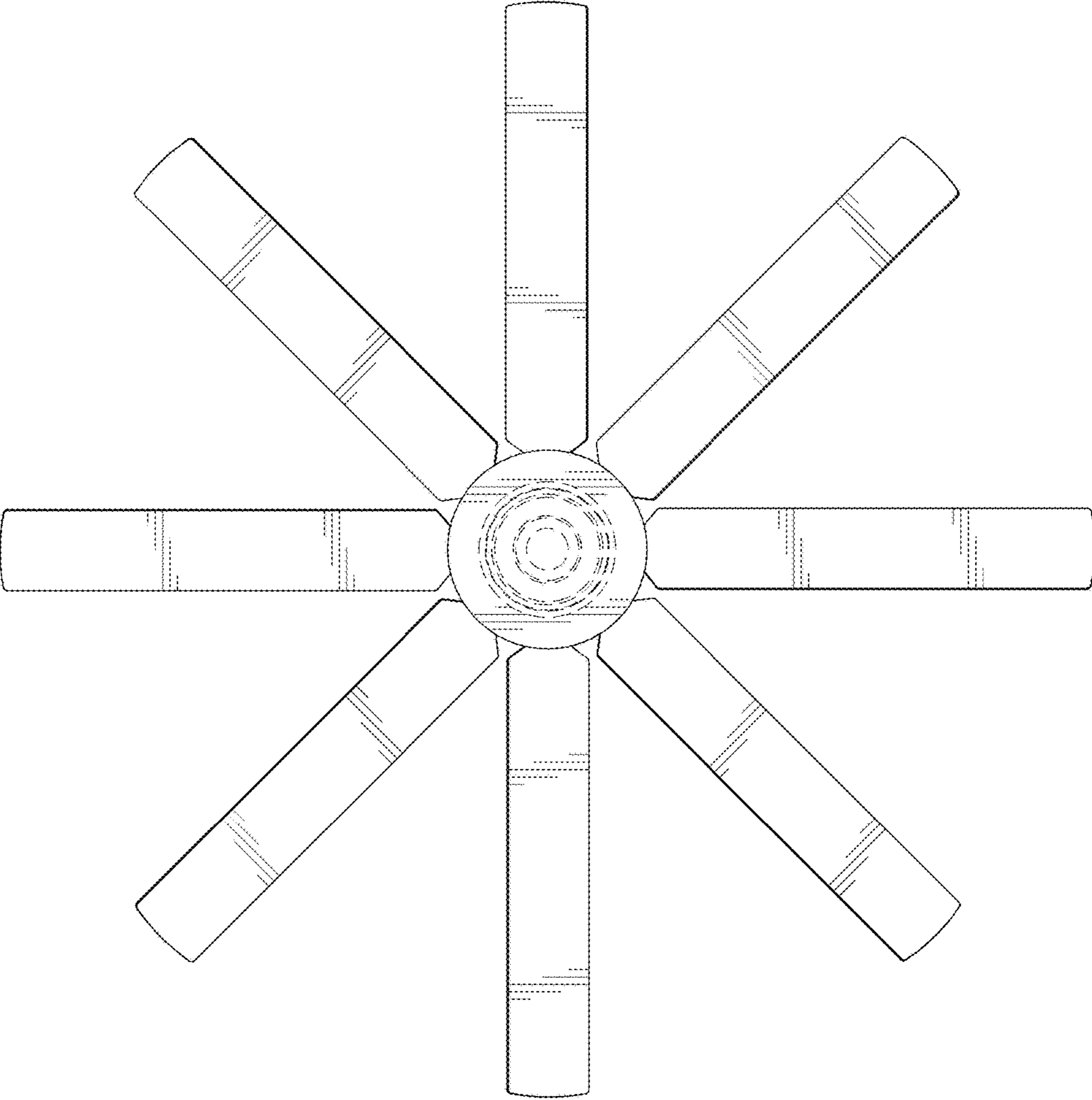


FIG. 6

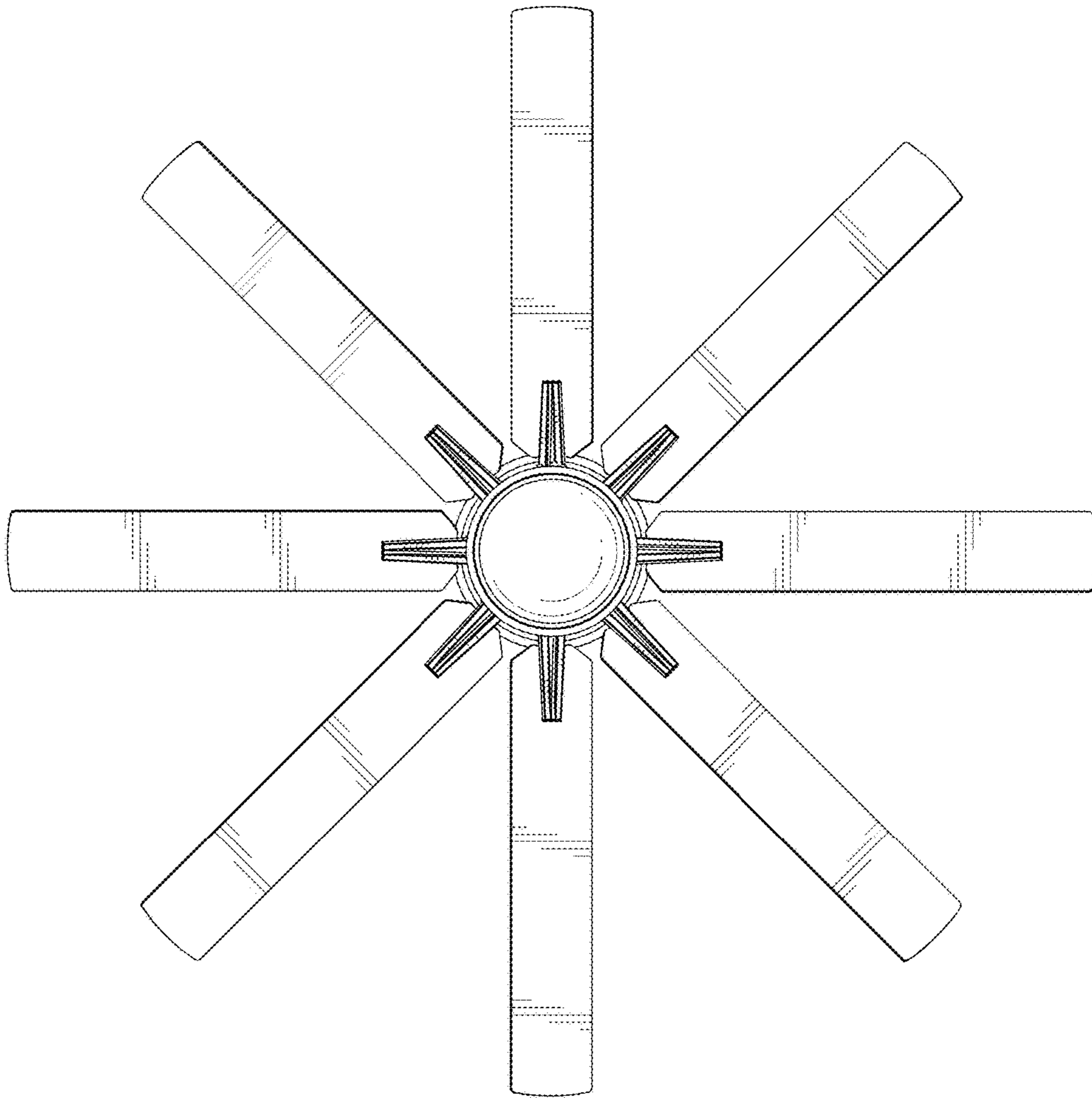


FIG. 7

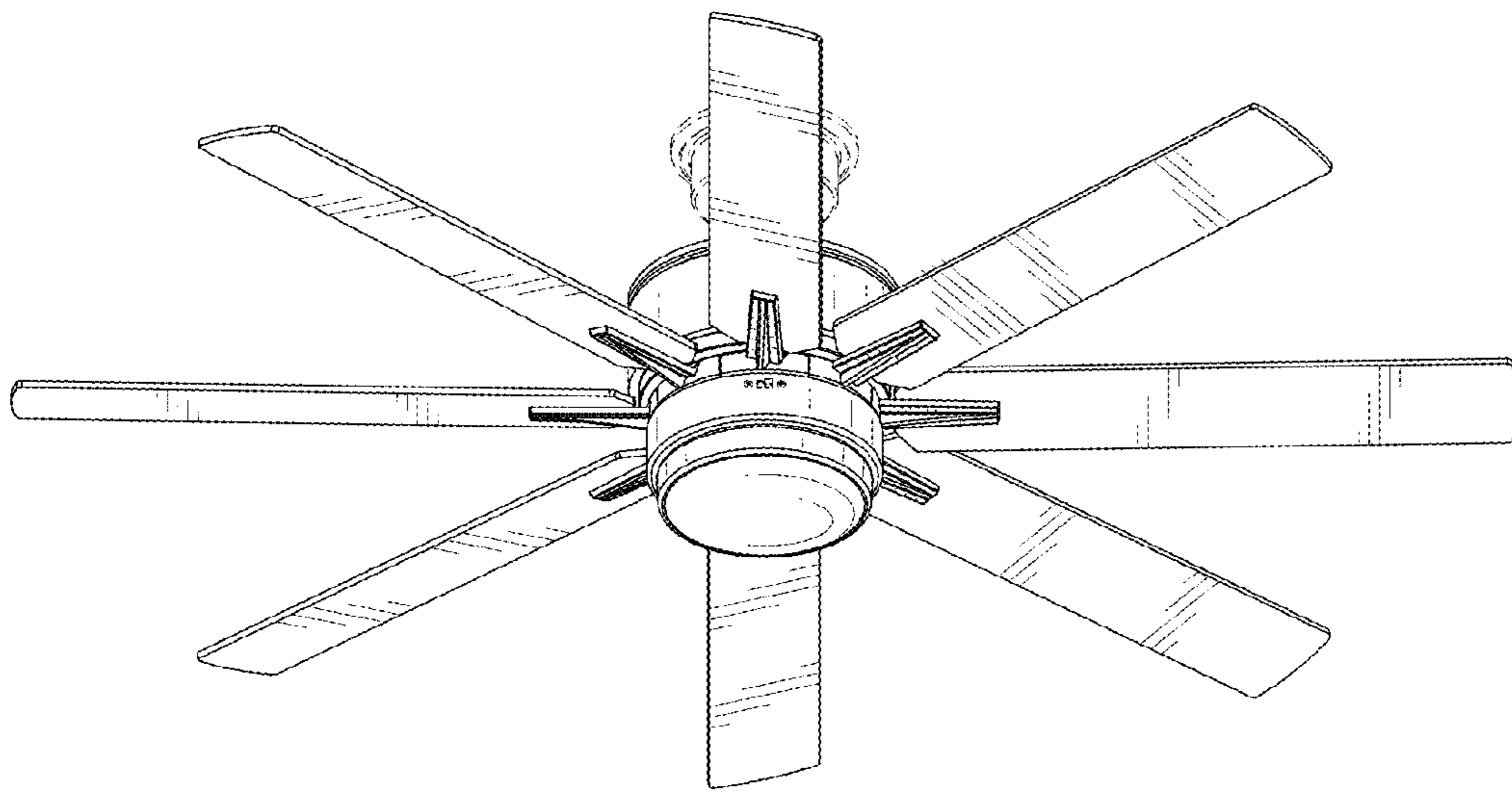


FIG. 8