



US00D799667S

(12) **United States Design Patent**
Wang

(10) **Patent No.:** **US D799,667 S**
(45) **Date of Patent:** **** Oct. 10, 2017**

- (54) **CEILING FAN**
- (71) Applicant: **AIR COOL INDUSTRIAL CO., LTD.**, Taichung (TW)
- (72) Inventor: **Cliff Wang**, Taichung (TW)
- (73) Assignee: **AIR COOL INDUSTRIAL CO., LTD.**, Taichung (TW)
- (**) Term: **15 Years**
- (21) Appl. No.: **29/578,817**
- (22) Filed: **Sep. 23, 2016**
- (51) **LOC (10) Cl.** **23-04**
- (52) **U.S. Cl.**
USPC **D23/377; D23/380; D23/385**
- (58) **Field of Classification Search**
USPC D23/370, 371, 373, 377-379, 380-382, D23/385-388, 411, 412; D26/59
CPC F04D 25/088; F04D 29/005; F04D 29/601; F04D 29/324; F21V 33/0096; F21V 33/0092; F24F 13/078
See application file for complete search history.

- (56) **References Cited**
U.S. PATENT DOCUMENTS
D478,975 S * 8/2003 Gajewski D23/377
D485,608 S * 1/2004 Chen D23/377
6,722,859 B1 * 4/2004 Chen F04D 25/088
415/60
D489,443 S * 5/2004 Gajewski D23/377

- 6,817,830 B1 * 11/2004 Chen F04D 25/166
415/60
- D506,002 S * 6/2005 Chen D23/377
- 6,913,443 B2 * 7/2005 Chen F04D 25/088
416/100
- D519,204 S * 4/2006 Spina D23/411
- 7,077,629 B2 * 7/2006 Chen F04D 25/088
416/110
- D599,458 S * 9/2009 Love D23/377
- D646,372 S * 10/2011 Love D23/377
- D717,934 S * 11/2014 Chen D23/377

* cited by examiner

Primary Examiner — Janice Hallmark

(74) *Attorney, Agent, or Firm* — Pai Patent & Trademark Law Firm; Chao-Chang David Pai

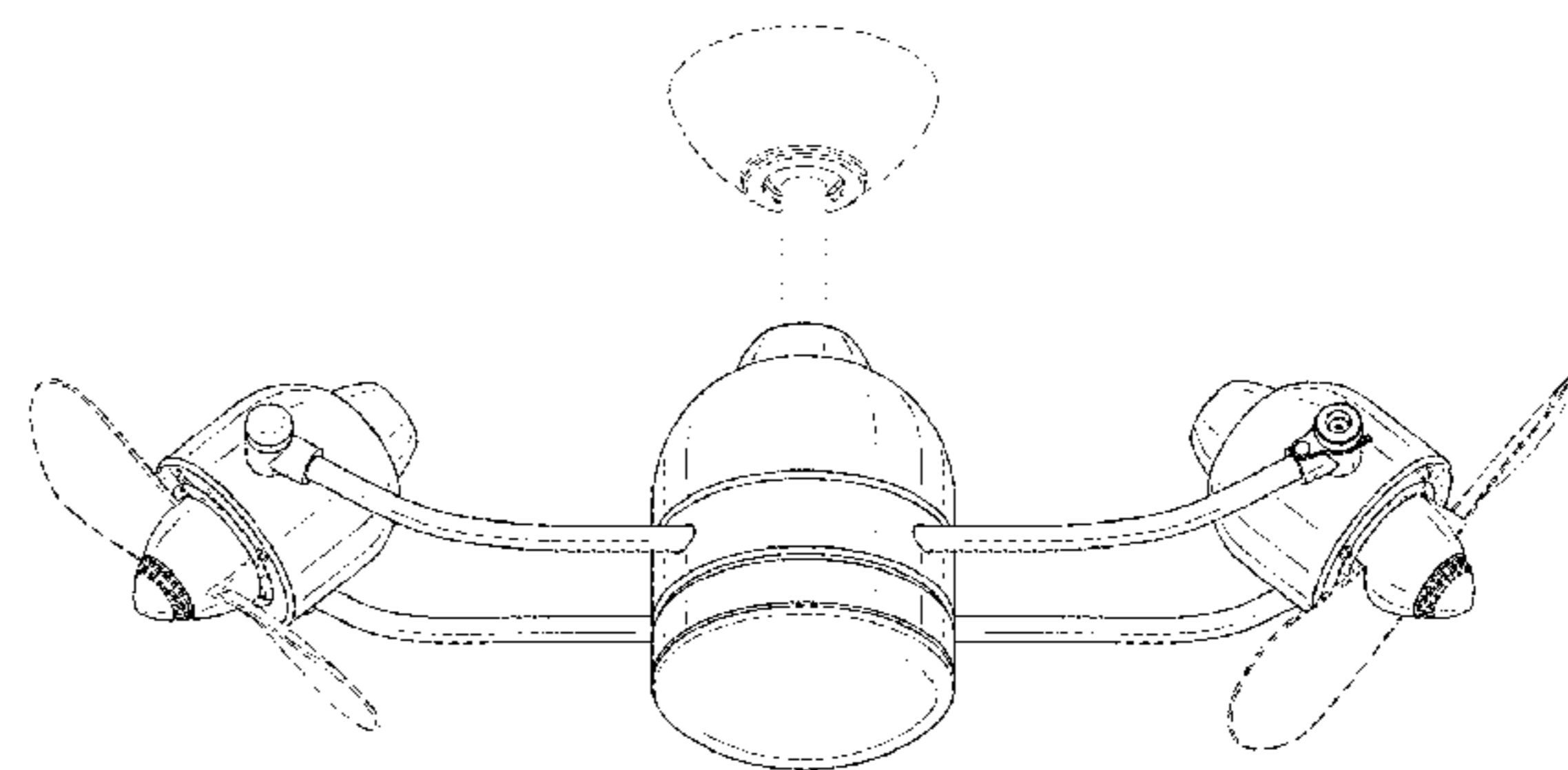
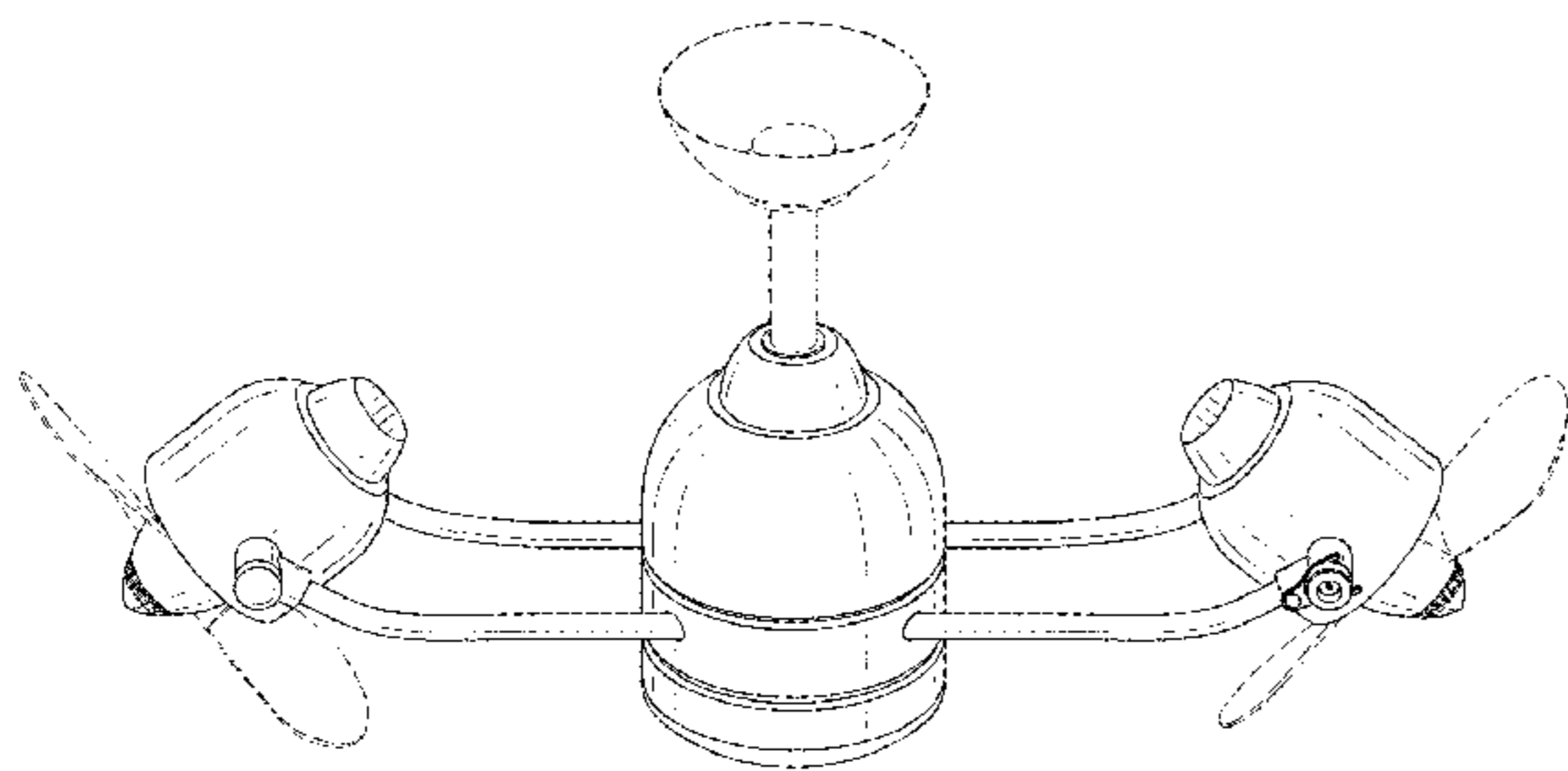
(57) **CLAIM**

The ornamental design for a ceiling fan, as shown and described.

DESCRIPTION

FIG. 1 is a front top perspective view of a ceiling fan showing my new design;
 FIG. 2 is a front elevational view thereof;
 FIG. 3 is a rear elevational view thereof;
 FIG. 4 is a left side elevational view thereof;
 FIG. 5 is a right side elevational view thereof;
 FIG. 6 is a top plan view thereof;
 FIG. 7 is a bottom plan view thereof; and,
 FIG. 8 is a front bottom perspective view thereof.
 The broken lines are for the purpose of illustrating environmental structure and form no part of the claimed design.

1 Claim, 5 Drawing Sheets



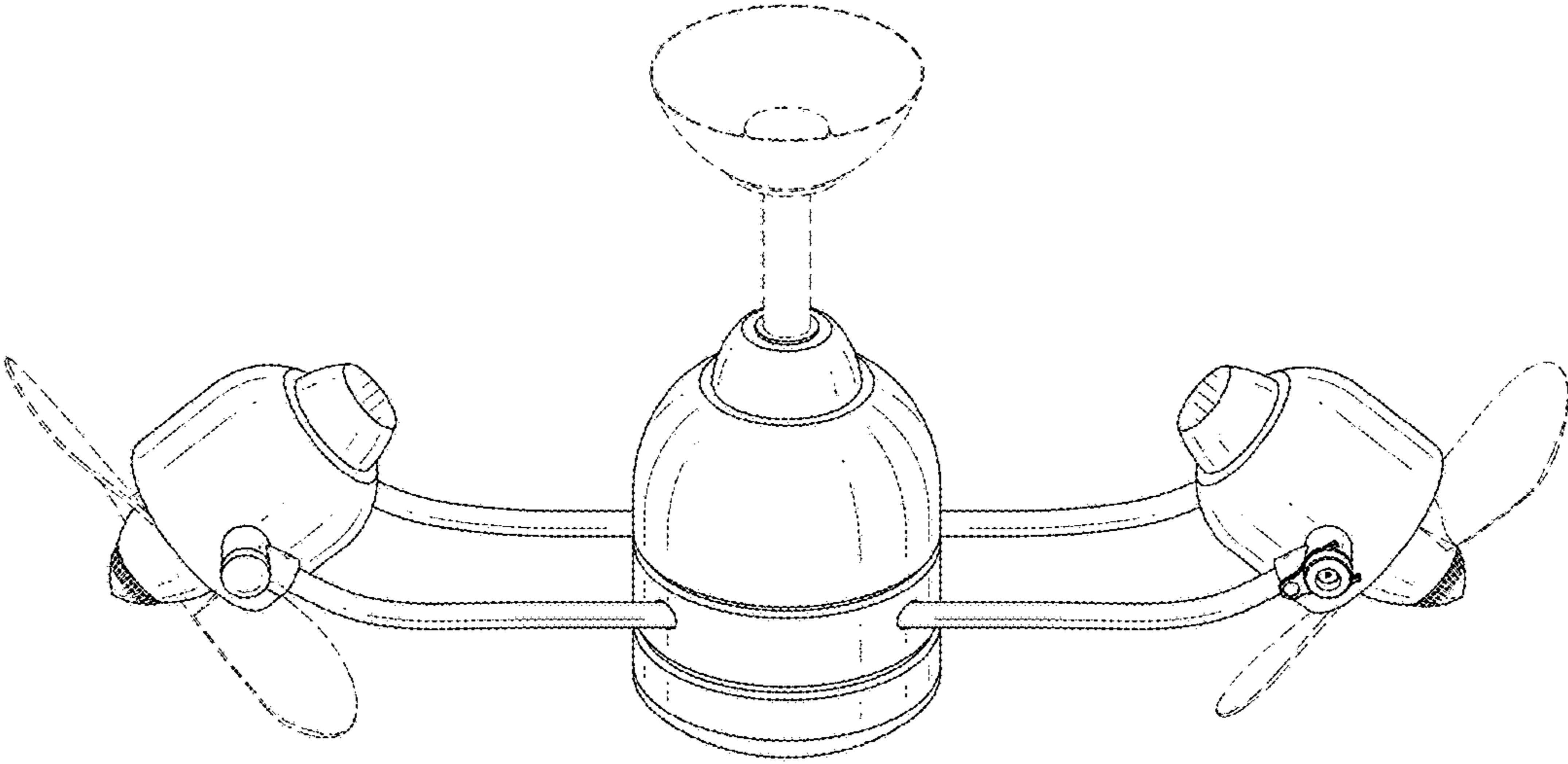


FIG. 1

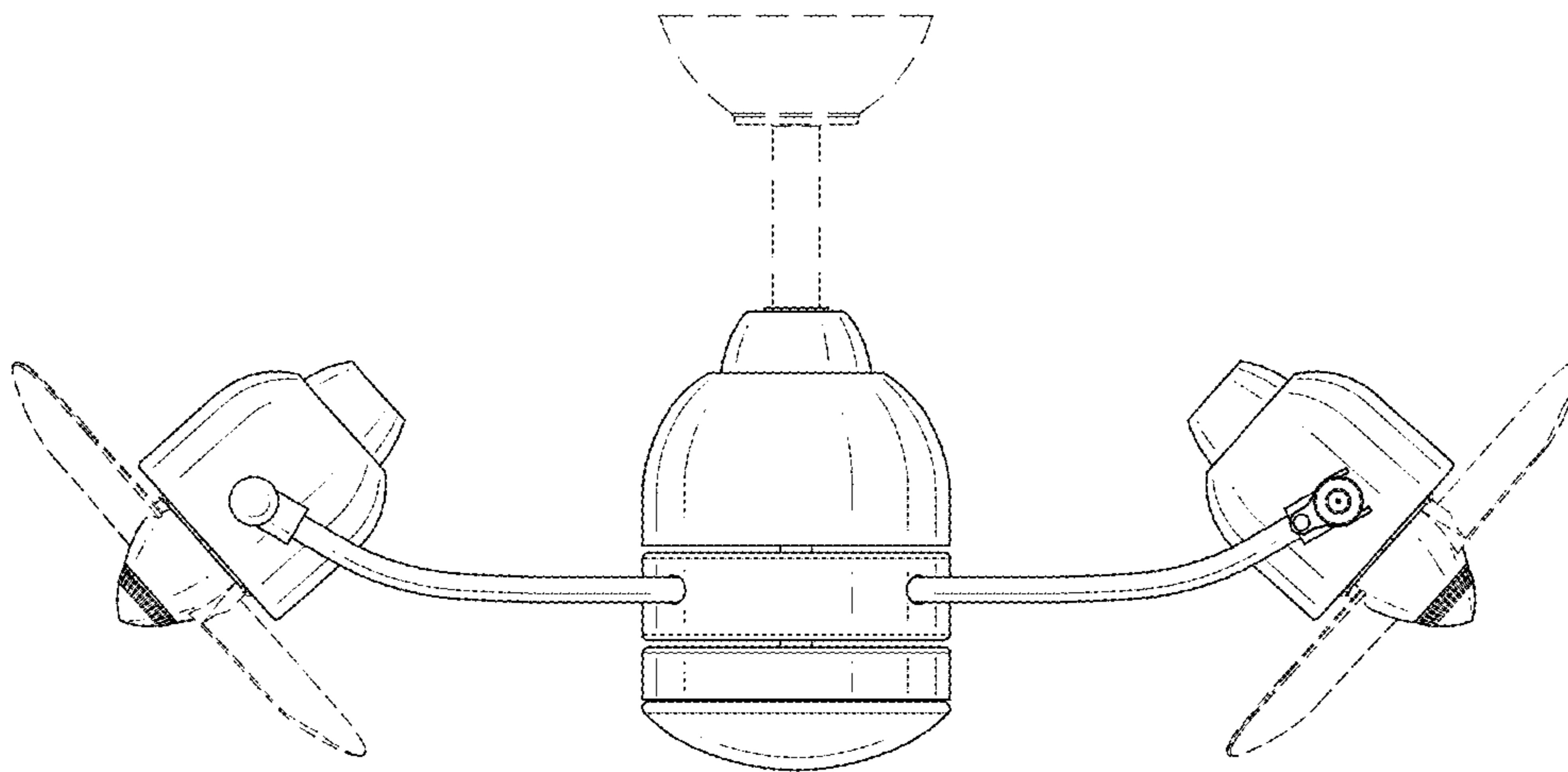


FIG. 2

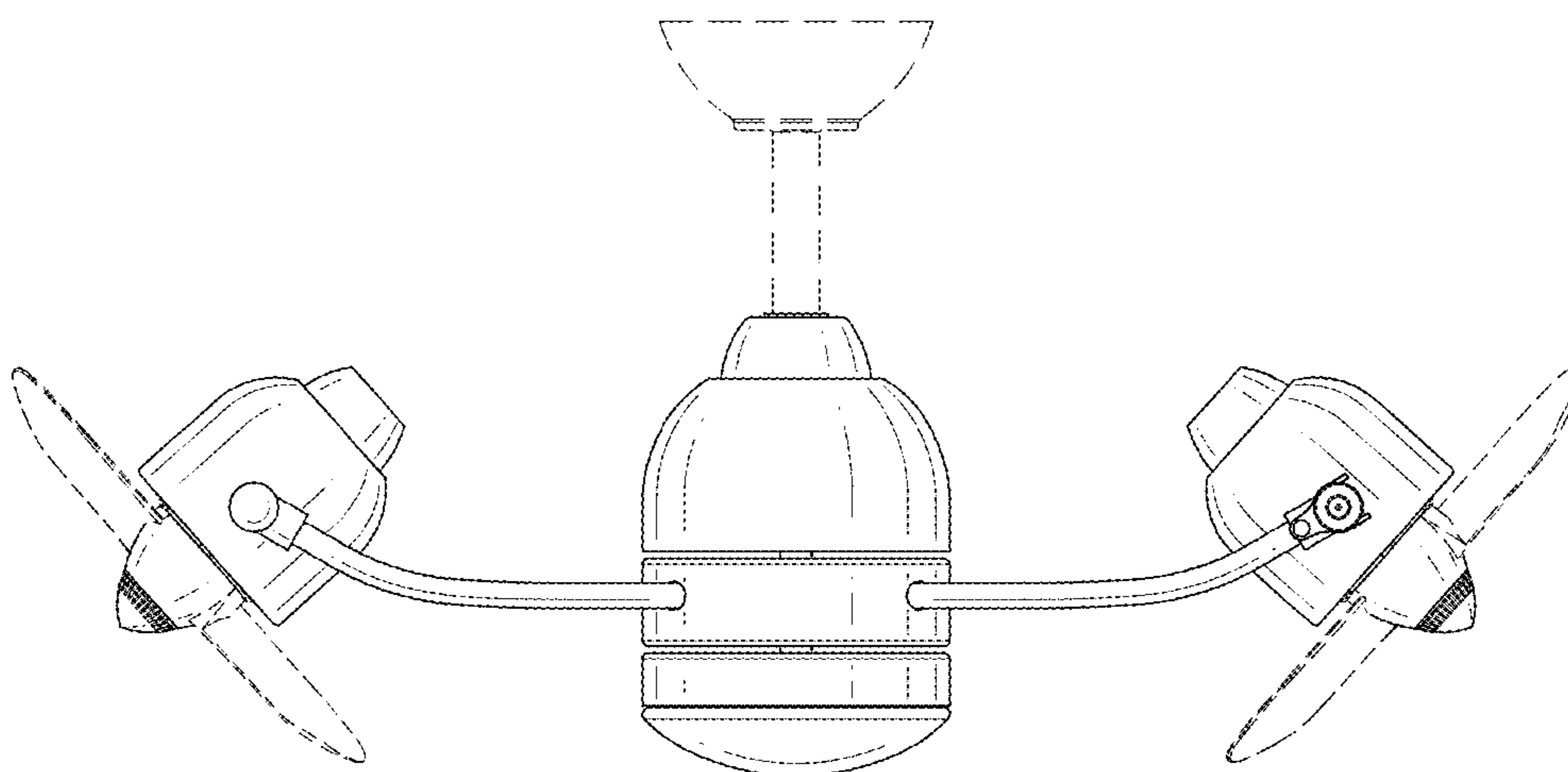


FIG. 3

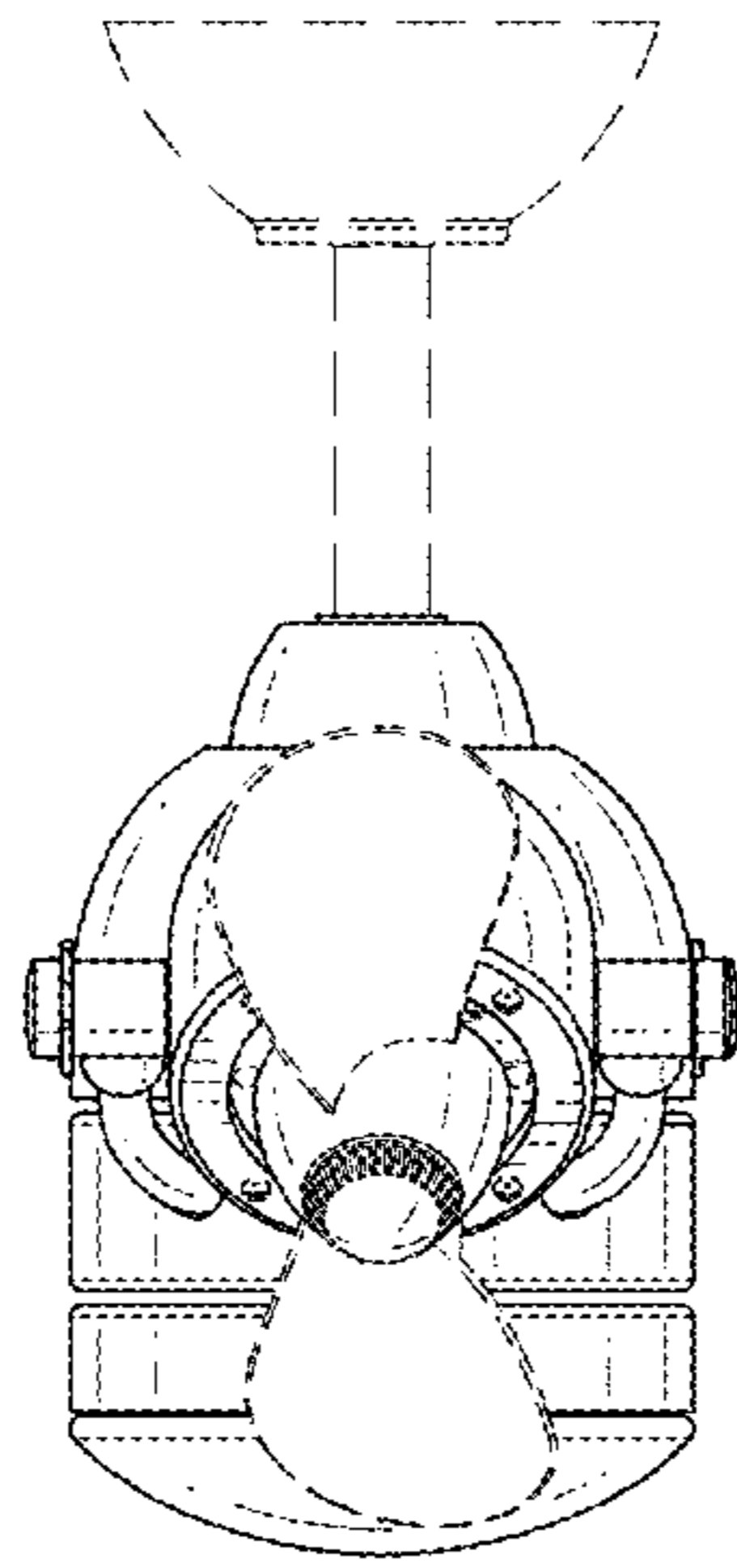


FIG. 4

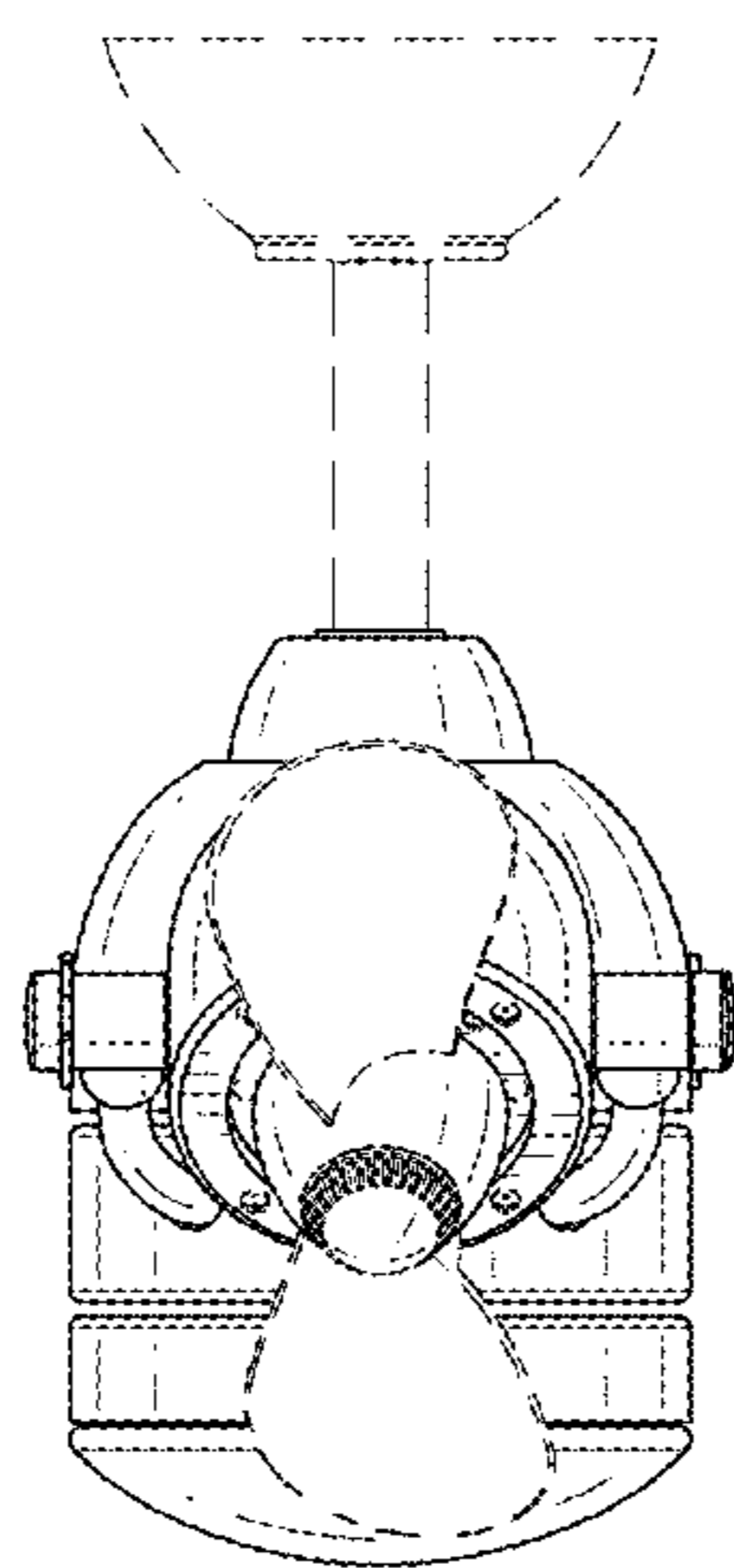


FIG. 5

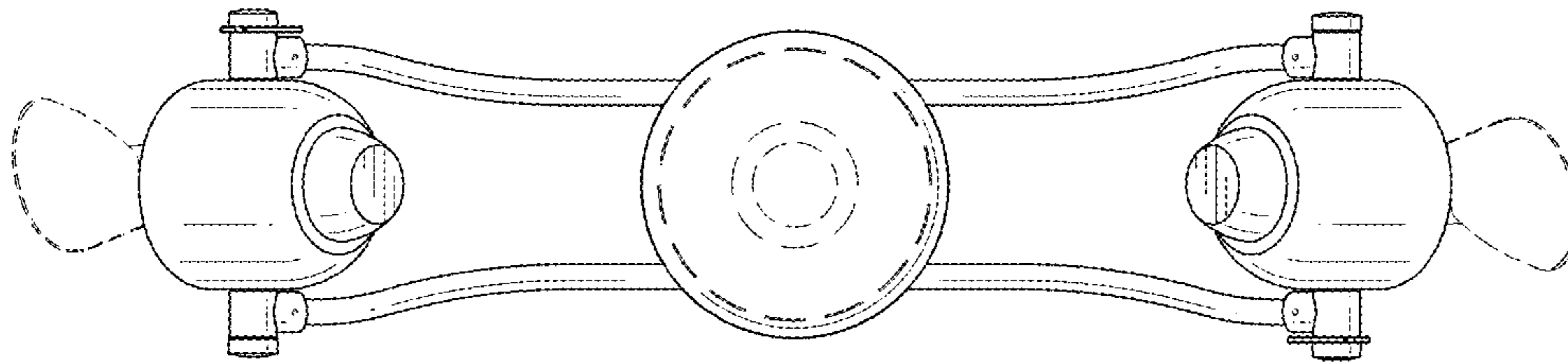


FIG. 6

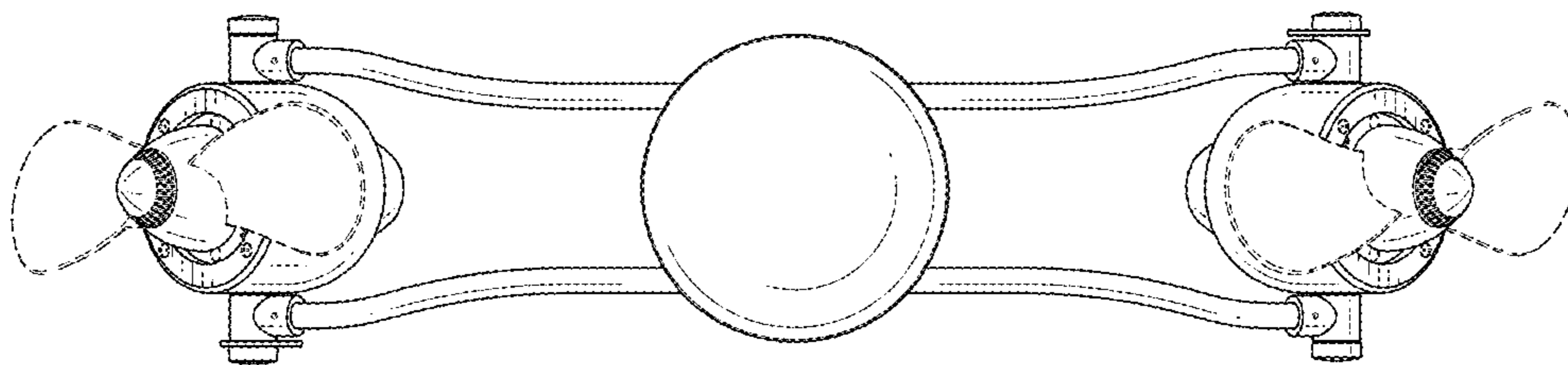


FIG. 7

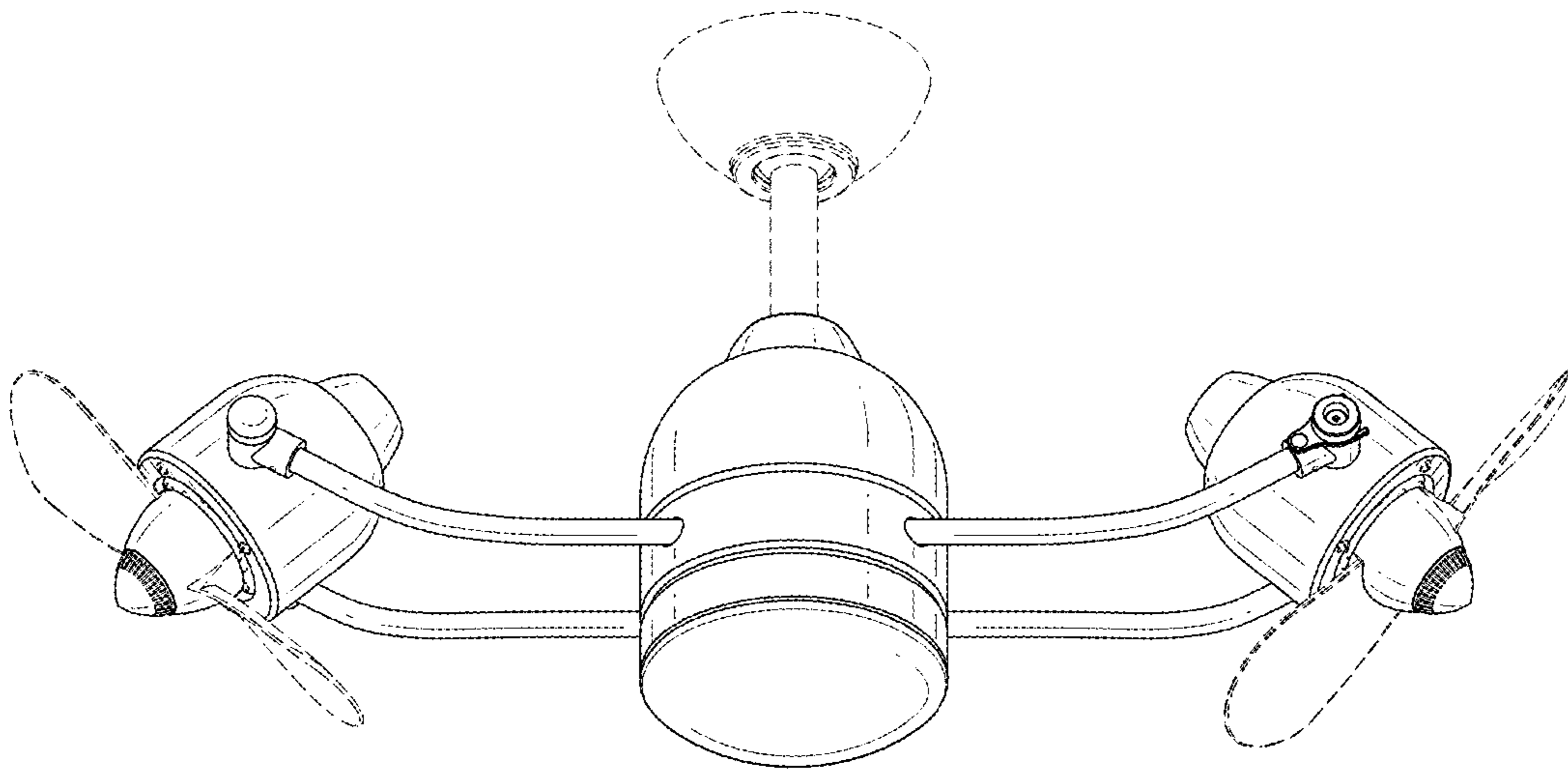


FIG. 8