



US00D799664S

(12) **United States Design Patent**
Wang

(10) **Patent No.:** **US D799,664 S**
(45) **Date of Patent:** **** Oct. 10, 2017**

- (54) **CEILING FAN**
- (71) Applicant: **AIR COOL INDUSTRIAL CO., LTD.**, Taichung (TW)
- (72) Inventor: **Cliff Wang**, Taichung (TW)
- (73) Assignee: **AIR COOL INDUSTRIAL CO., LTD.**, Taichung (TW)
- (**) Term: **15 Years**
- (21) Appl. No.: **29/574,284**
- (22) Filed: **Aug. 12, 2016**
- (51) **LOC (10) Cl.** **23-04**
- (52) **U.S. Cl.**
USPC **D23/377; D23/385**
- (58) **Field of Classification Search**
USPC D23/370, 371, 373, 377-379, 381, 382,
D23/385-388, 411, 412; D26/59
CPC F04D 25/088; F04D 29/005; F04D 29/601;
F04D 29/324; F21V 33/0096; F21V
33/0092; F24F 13/078
See application file for complete search history.

- D483,850 S * 12/2003 Tai D23/377
- D487,801 S * 3/2004 Hsieh D23/377
- D539,894 S * 4/2007 Bucher D23/377
- D555,779 S * 11/2007 Bucher D23/377
- D699,339 S * 2/2014 Wang D23/385
- D700,311 S * 2/2014 Wang D23/385
- D708,314 S * 7/2014 Pan D23/377
- D732,157 S * 6/2015 Lin D23/377
- 2016/0363313 A1* 12/2016 Wang F21V 33/0096

* cited by examiner

Primary Examiner — Janice Hallmark

(74) *Attorney, Agent, or Firm* — Pai Patent & Trademark Law Firm; Chao-Chang David Pai

(57) **CLAIM**

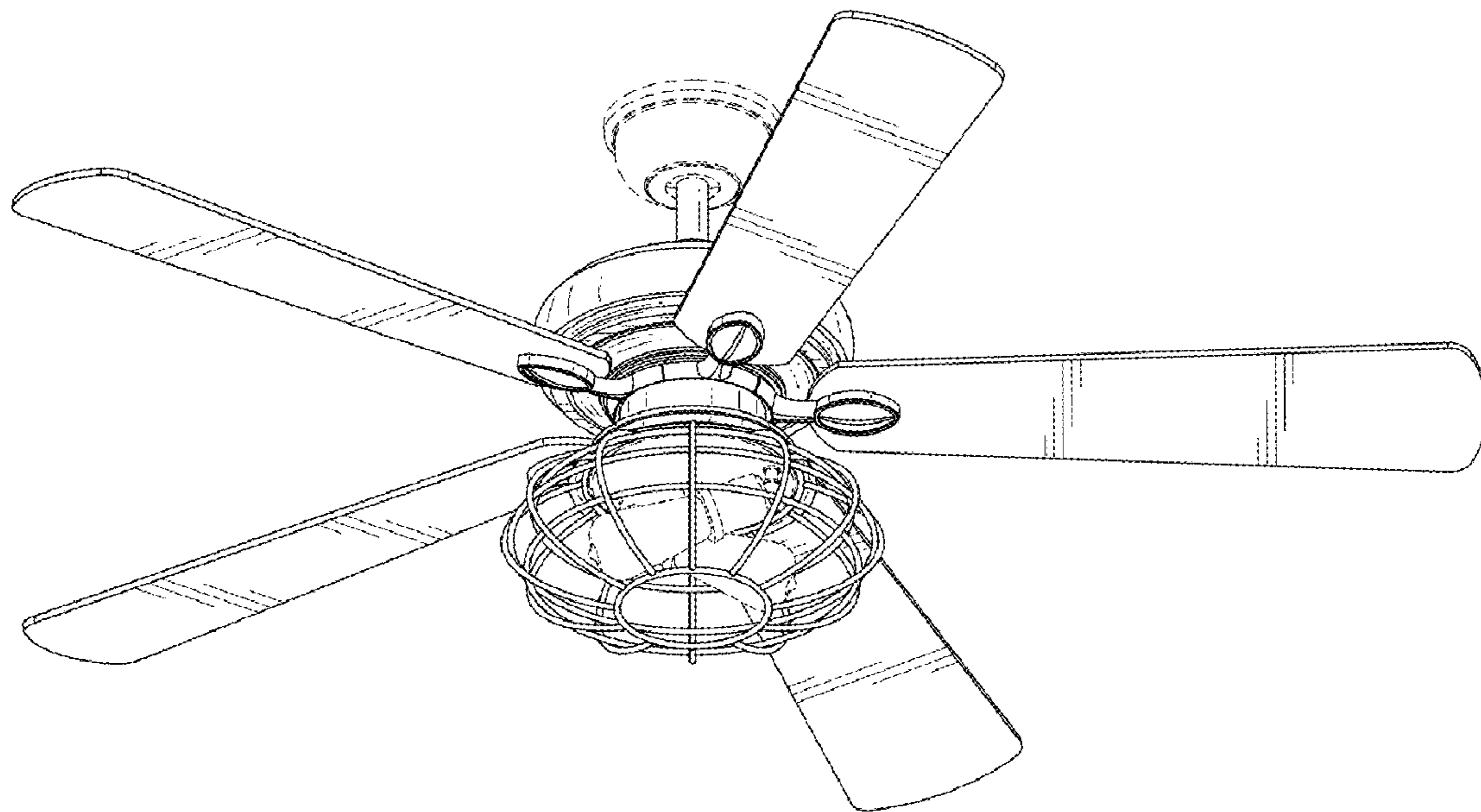
The ornamental design for a ceiling fan, as shown and described.

DESCRIPTION

FIG. 1 is a front top perspective view of a ceiling fan showing my new design;
 FIG. 2 is a front elevational view thereof;
 FIG. 3 is a rear elevational view thereof;
 FIG. 4 is a left side elevational view thereof;
 FIG. 5 is a right side elevational view thereof;
 FIG. 6 is a top plan view thereof;
 FIG. 7 is a bottom plan view thereof; and,
 FIG. 8 is a front bottom perspective view thereof.
 The broken lines are for the purpose of illustrating environmental structure and form no part of the claimed design.

1 Claim, 6 Drawing Sheets

- (56) **References Cited**
U.S. PATENT DOCUMENTS
D449,396 S * 10/2001 Campbell D26/59
D464,722 S * 10/2002 Sonneman D23/377
D476,406 S * 6/2003 Friedes D23/377
D476,411 S * 6/2003 Friedes D23/411



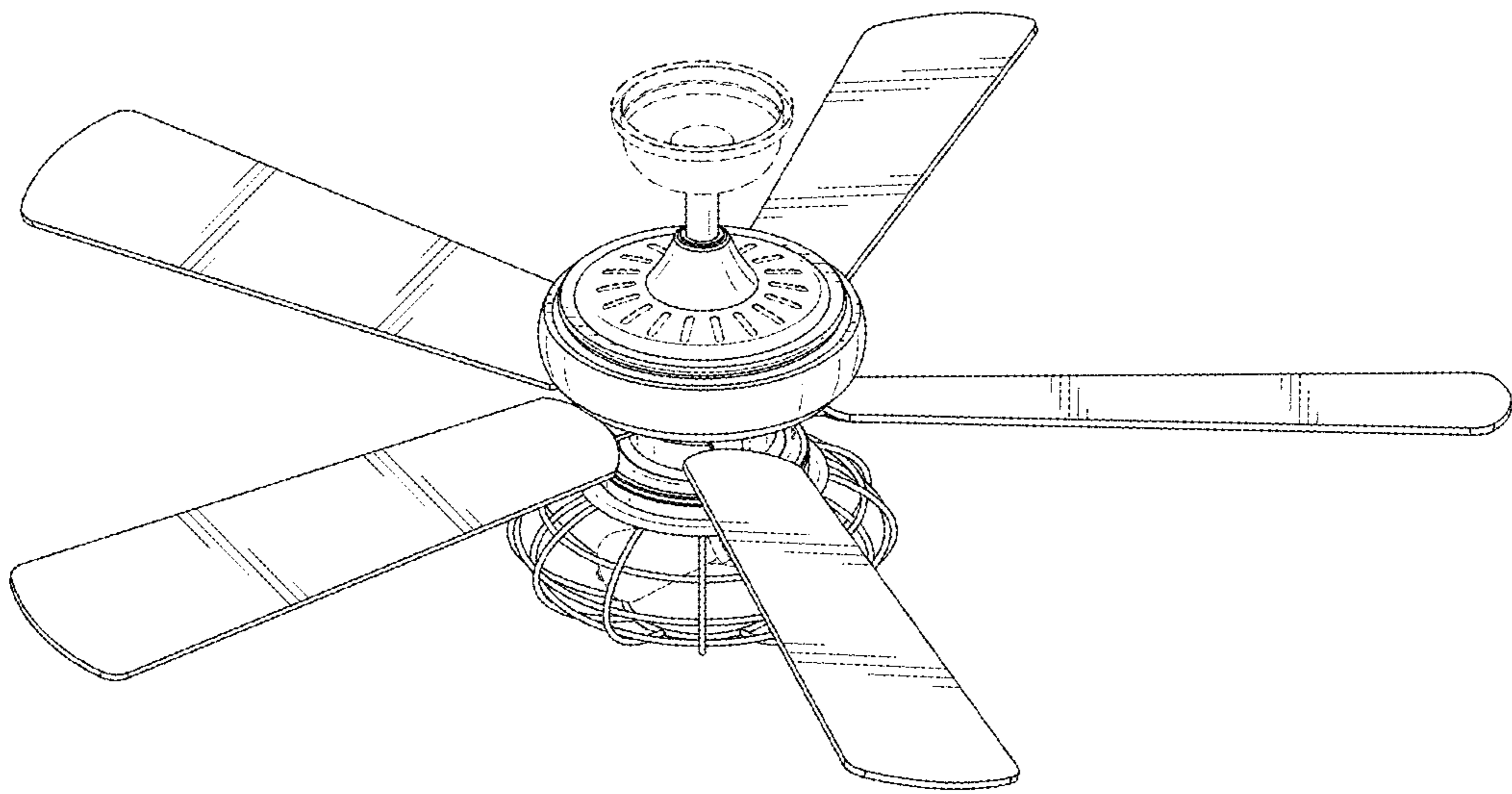


FIG. 1

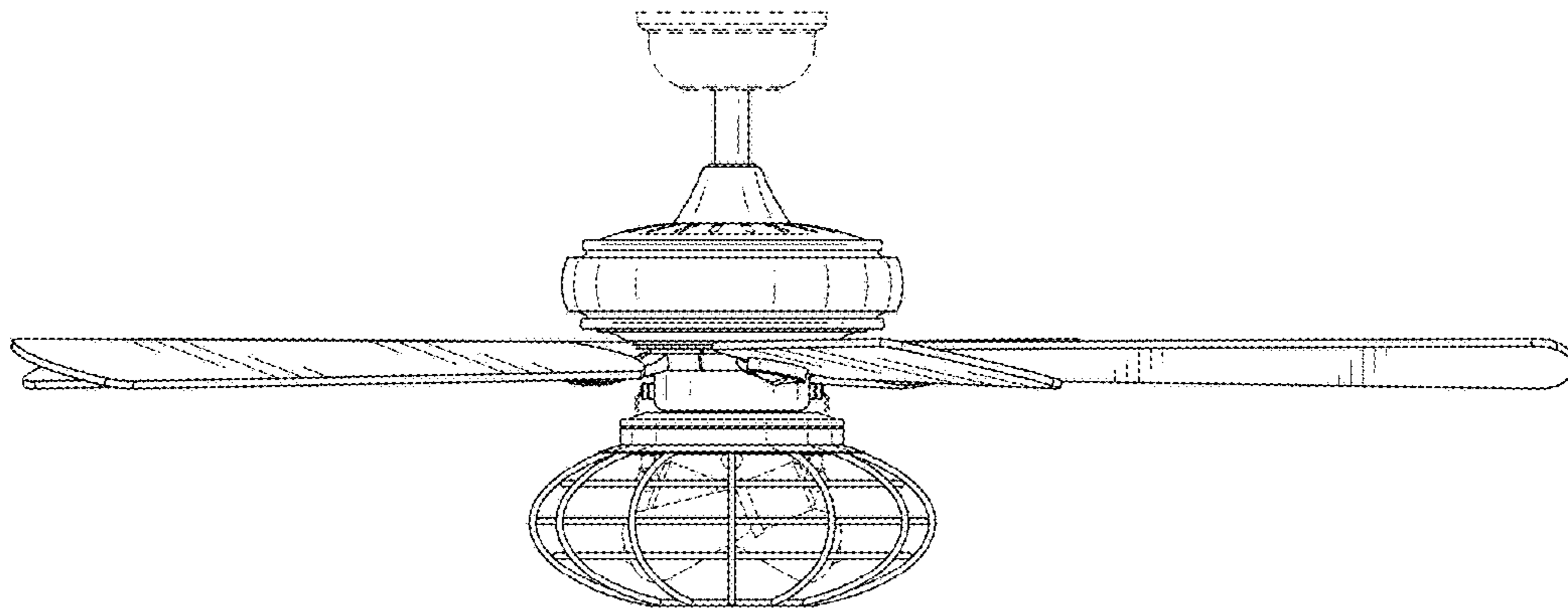


FIG. 2

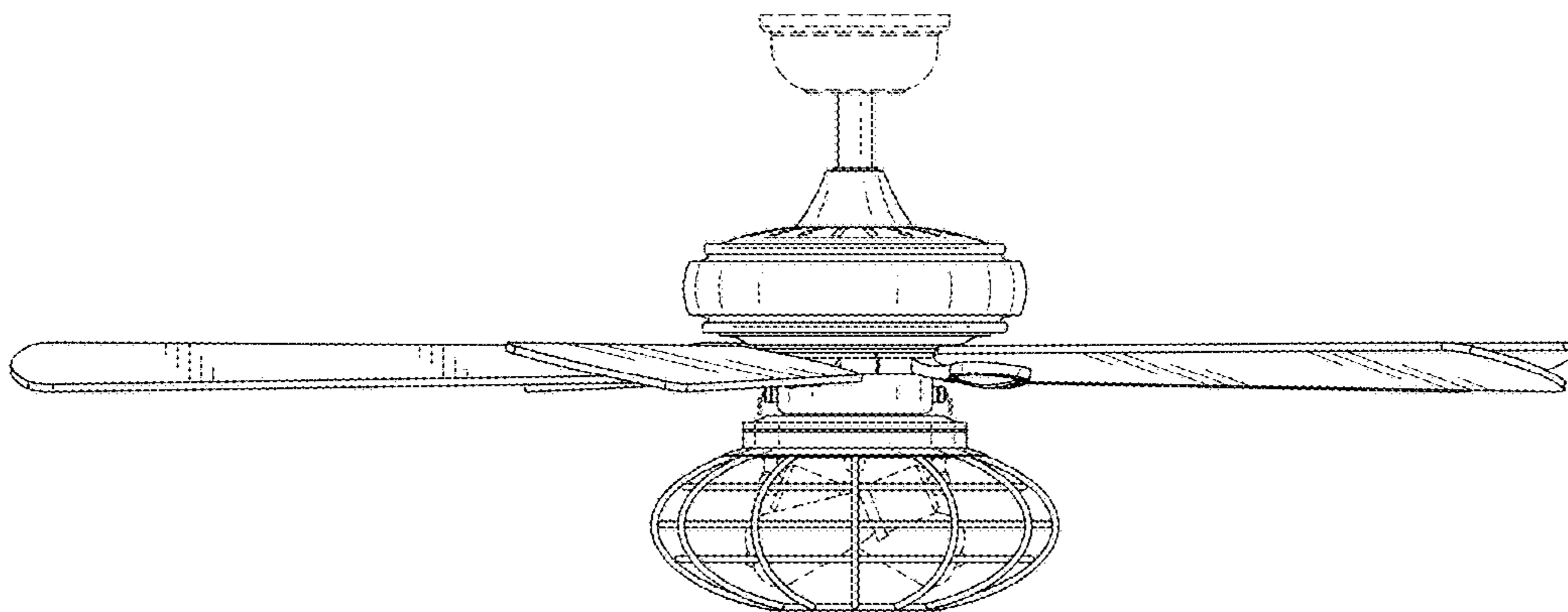


FIG. 3

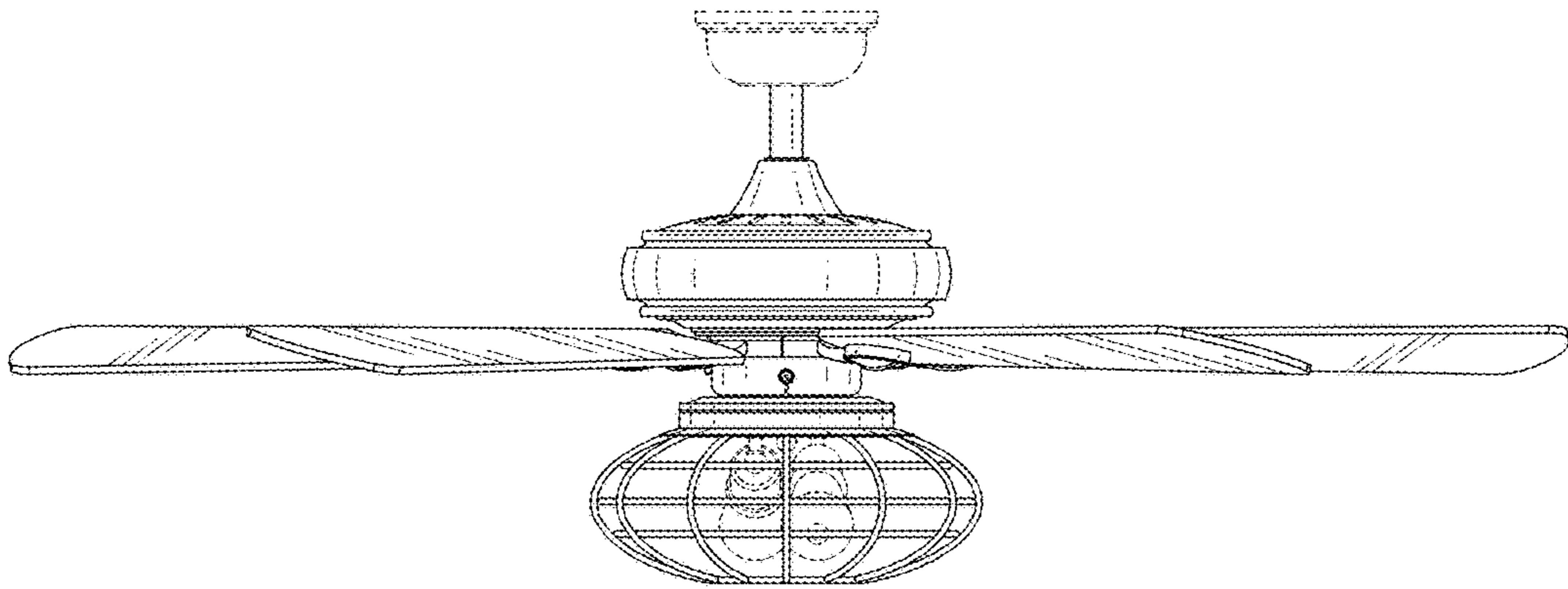


FIG. 4

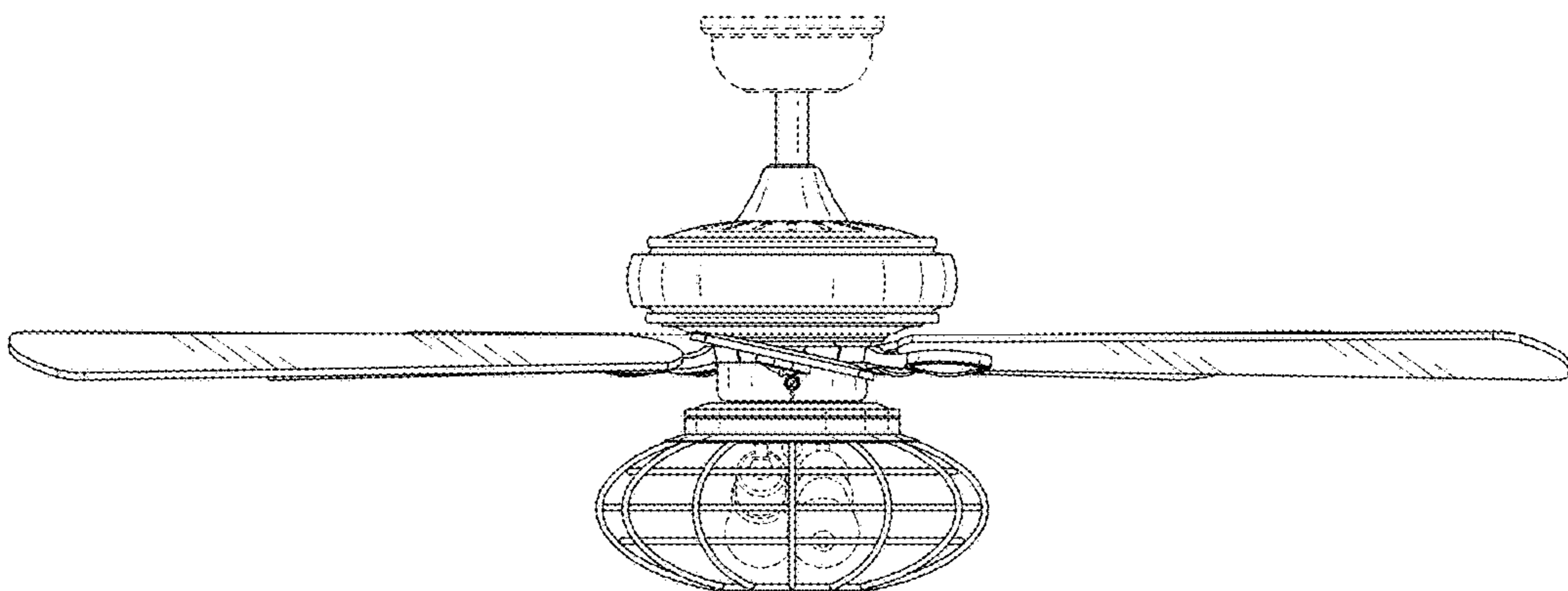


FIG. 5

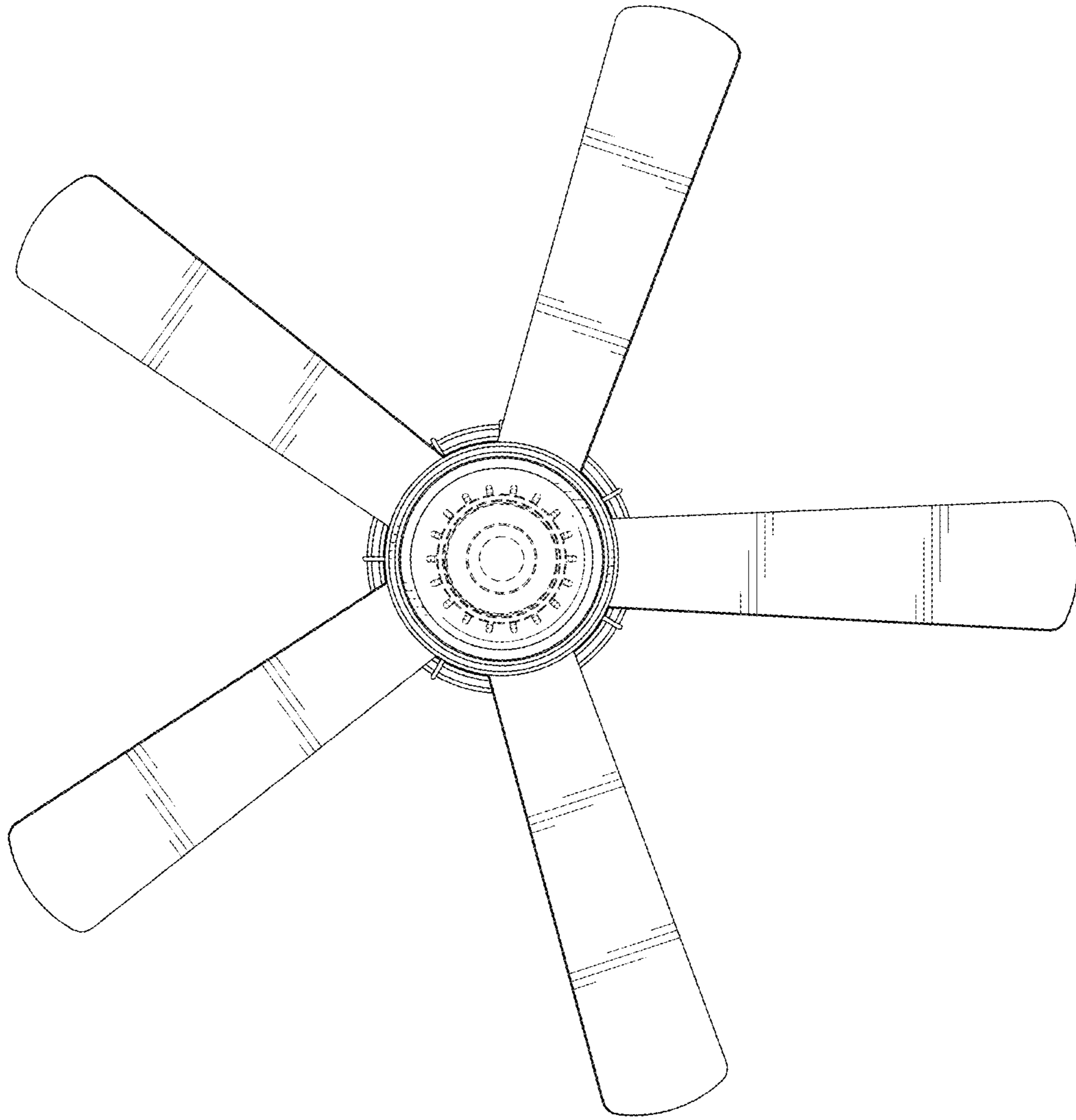


FIG. 6

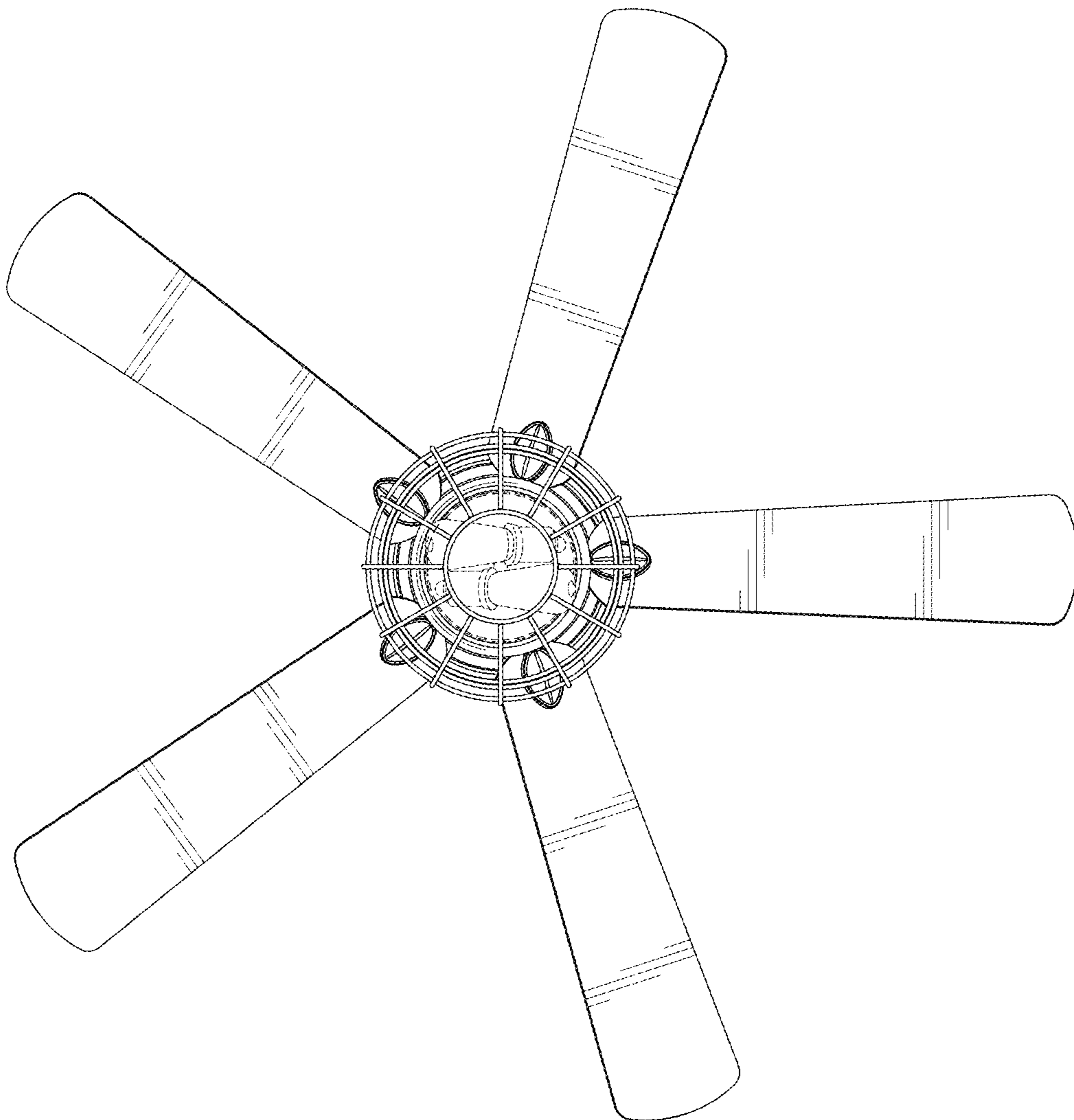


FIG. 7

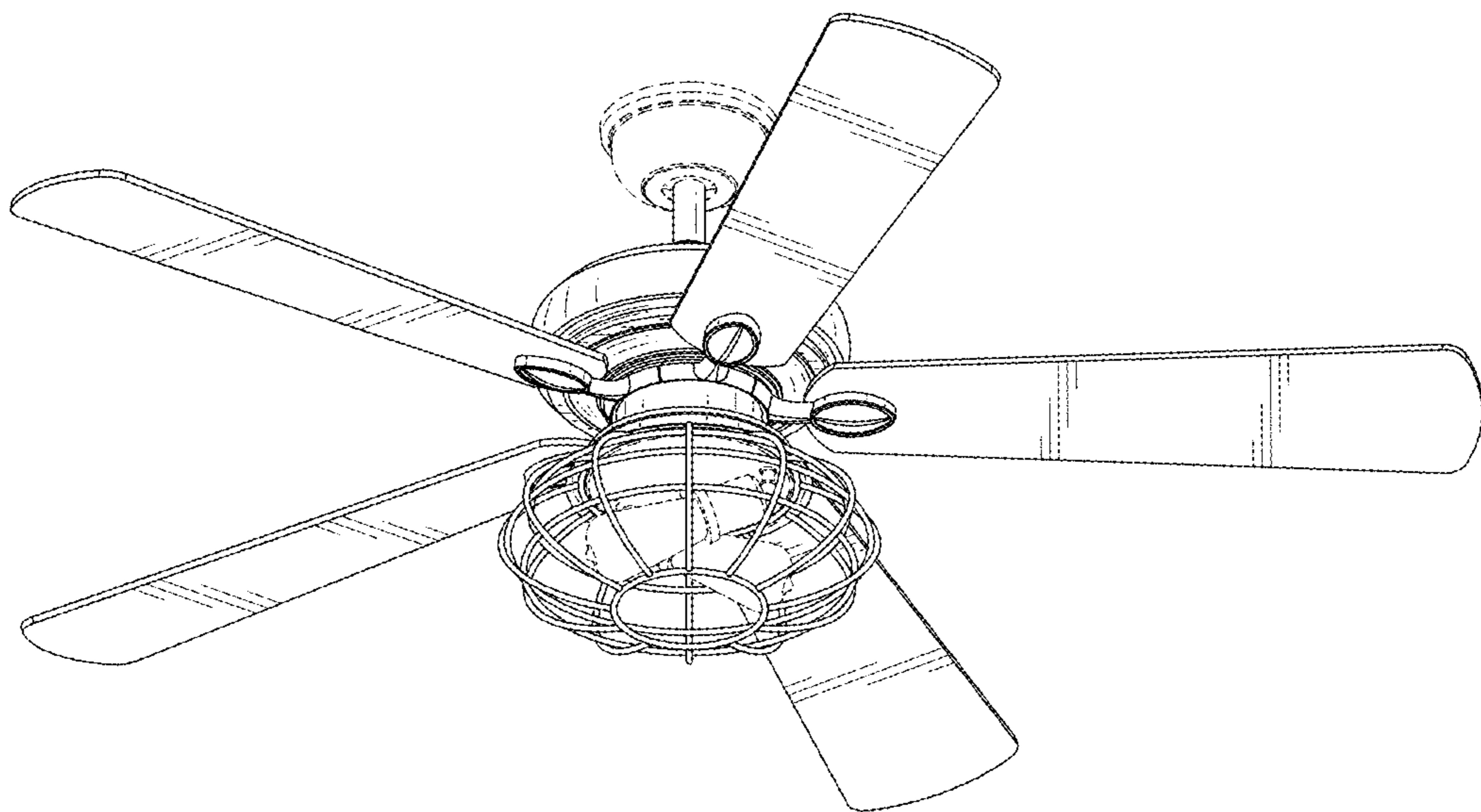


FIG. 8